

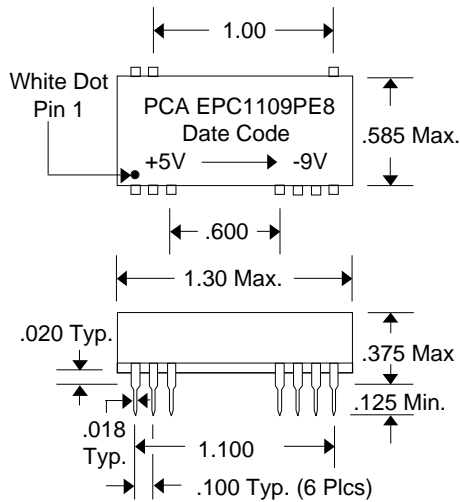
Ethernet DC/DC Converter EPC1109P & EPC1109H

- Features**
- 70 % Typical efficiency at full load @ nominal input voltage
 - Regulated Output
 - Enable Low
 - Input / Output Isolation
 - Input filter to reduce input ripple current
 - Designed for low common mode noise

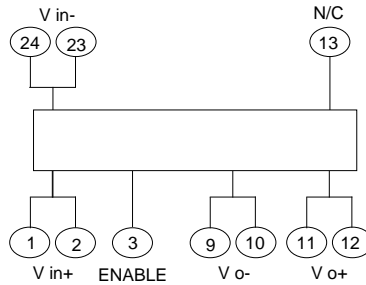
Electrical Specifications

PCA P/N	Standard Package	Optional Packages	Input Voltage V	Output Voltage V	Output Current mA Max.	Output Ripple & Noise @ 20 MHz BW mV p-p	Isolation Vrms
EPC1109P	E6	E8, E6-G*	5.0 ± 10%	-9.0 ± 5%	100 Max.	150 Max.	500
EPC1109H	E6	E8, E7, E6-G* E7-G*	5.0 ± 10%	-9.0 ± 5%	100 Max.	150 Max.	2000

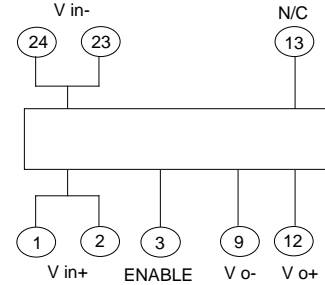
PACKAGE E8



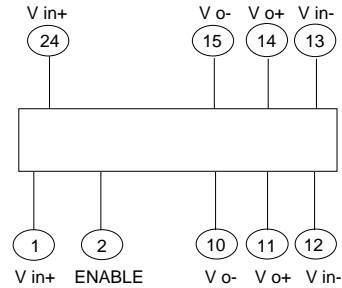
Pin Connections for E8



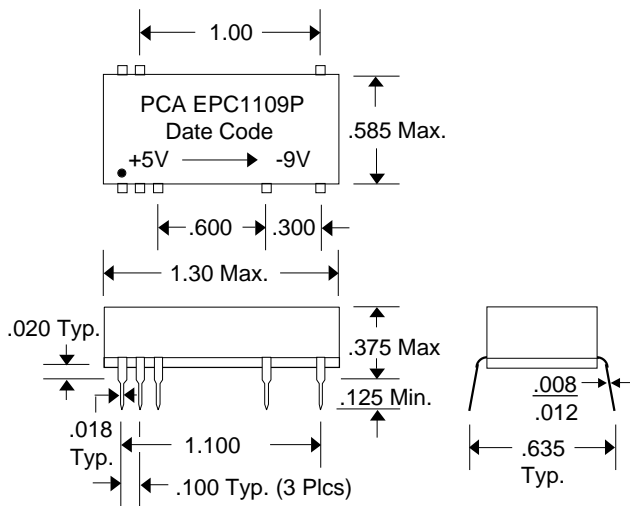
Pin Connections for E6



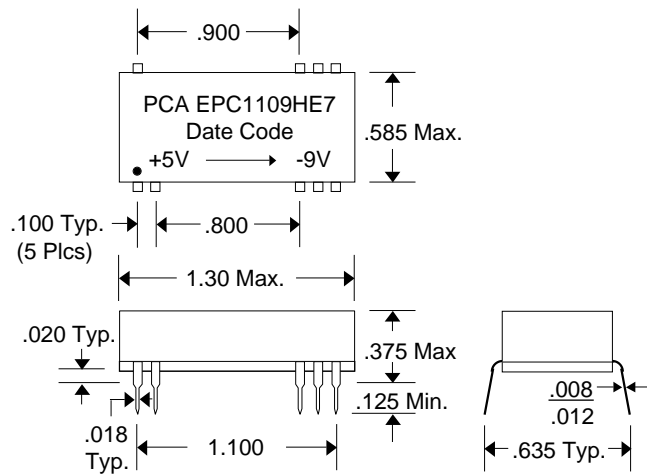
Pin Connections for E7



PACKAGE E6



PACKAGE E7



DSC1109P,H Rev.3 9/9/96

Unless Otherwise Noted Dimensions in Inches

Tolerances:
 Fractional = ± 1/32
 .XX = ± .030 .XXX = ± .010



QAF-CS06 Rev. B 9/9/94

16799 SCHOENBORN ST.
 NORTH HILLS, CA 91343
 TEL: (818) 892-0761
 FAX: (818) 894-5791