

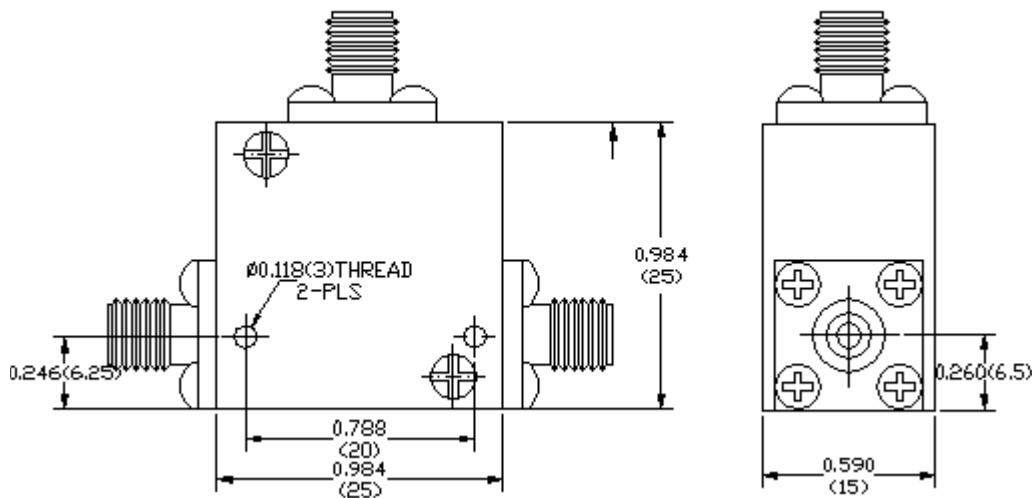
**Key Features:**

- Frequency range: 800~2000MHz
- SMA connectorized configuration
- Small size, low cost
- Power handling +20 Watts forward
- Operating temperature -40~+70°C
- Customer specify center frequency and bandwidth

**Electrical Specifications**

Part No.	Freq Range MHz	Insertion Loss, dB	Reverse Isolation, dB	VSWR	Forward Power, Watts	Temp. Range, °C
F2569-0109-24	0.96-1.22	0.5 Max	≥ 19	≤ 1.25	≥ 20	-40 ~ +70
F2569-0120-08	1.15~1.25	0.5 Max	≥ 20	≤ 1.2	≥ 20	-40 ~ +70
F2569-0180-11	1.785-1.815	0.3 Max	≥ 23	≤ 1.15	≥ 20	-40 ~ +70

**Mechanical Structure:**



Note: All units are in inches.

**Ordering Information:**

