

PSD-25/40

S E R I E S

25 ~ 40W Single Output Car Adaptor

FEATURES

- Wide input voltage 11~26VDC
- Compact Low Profile Package
- Optional Output Connectors
- High Efficiency & Reliability
- I/P-O/P, Isolated

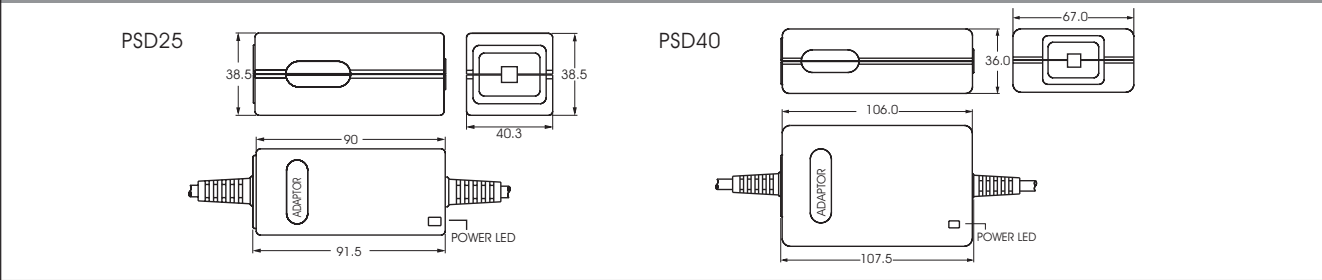


SPECIFICATIONS

Input Voltage.....	11VDC~26VDC
Efficiency.....	70% typ.
Voltage Tolerance.....	± 5%
Ripple & Noise.....	1%p-p max.
Temperature coefficient.....	± 0.05%/°C
Operating Temperature	0 to +40°C
Storage Temperature	-20 to 85°C
Short circuit protection.....	Fuse
Weight.....	Approx 200~250g

Model Number	Output Voltage (VDC)	Output Current (A)	Max. Power
PSD25-0-1	3~5	3.33~2.00	10W
PSD25-1-1	5~6	2.7~2.25	13.5W
PSD25-1-1-1	6~8	2.4~1.8	14.4W
PSD25-2-1	8~11	2.13~1.55	17.1W
PSD25-3-1	11~13	1.55~1.38	18W
PSD25-4-1	13~16	1.38~1.12	18W
PSD25-5-1	16~21	1.12~0.85	18W
PSD25-6-1	21~27	0.85~0.66	18W
PSD25-7-1	27~33	0.66~0.54	18W
PSD25-8-1	33~48	0.54~0.37	18W
PSD40-0-1	3~5	5~3	15W
PSD40-1-1	5~6	4.5~3.75	22.5W
PSD40-1-1-1	6~8	5.0~3.75	30W
PSD40-2-1	8~11	4.27~3.1	34.2W
PSD40-3-1	11~13	3.27~2.76	36W
PSD40-4-1	13~16	2.76~2.25	36W
PSD40-5-1	16~21	2.25~1.71	36W
PSD40-6-1	21~27	1.71~1.33	36W
PSD40-7-1	27~33	1.33~1.09	36W
PSD40-8-1	33~48	1.09~0.75	36W

MECHANICAL DRAWING (Unit: mm)



PSD-60

S E R I E S

60W Single Output Car Adaptor

FEATURES

- Input voltage 11VDC to 15VDC
- Optional Output connectors
- High reliability and efficiency
- Compact package
- 1 year limited warranty
- Non-Isolated

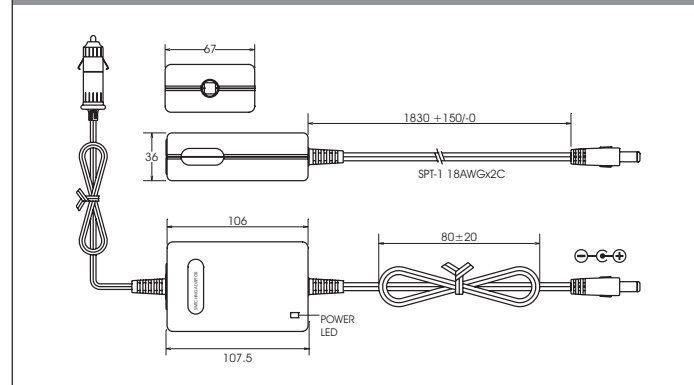


SPECIFICATIONS

Input voltage range.....	11~15VDC
Over current protection.....	Yes
Load regulation.....	(±5% max.)
Operating temperature.....	-10°C to +40°C
Storage temperature.....	-10°C to +80°C
Relative humidity.....	5% to 90% non-condensing
Derating from.....	+40°C derate linearly to 50% at +70°C

Model Number	Output Voltage (VDC)	Output Current (A)	Max. Power
PSD-60-5	18~21	3.34 ~ 2.86	60W
PSD-60-6	21~27	2.86 ~ 2.22	60W
PSD-60-7	27~33	2.22 ~ 1.81	60W
PSD-60-8	33~50	1.81 ~ 1.20	60W

MECHANICAL DRAWING (Unit: mm)



Car Charger