



DSM2180F3V

DSM (Digital Signal Processor System Memory) For Analog Devices ADSP-218X Family (3.3V Supply)

FEATURES SUMMARY

■ Glueless Connection to DSP

- Easily add memory, logic, and I/O to DSP

■ 128K Byte Flash Memory

- For Bootloading and/or Data Overlay Memory
- Programmable Decoding and Paging Logic allows accessing Flash memory as Byte DMA (BDMA) and as External Data Overlay memory
- Rapidly access Flash memory with BDMA for booting and loading internal DSP Overlay memory. Alternatively access the same Flash memory as External Data Overlay memory to efficiently write Flash memory with code updates and data, a byte at a time with no DMA setup overhead
- Individual 16K Byte Flash memory sectors match size of DSP External Data Overlay window for efficient data management. Integrated page logic provides easy DSP access to all 128K Bytes.
- DSM connects to lower byte of 16-bit DSP data bus. Byte-wide accesses to 8-bit BDMA space. Half-word accesses to 16-bit Data Memory Overlay and 16-bit I/O Mem space.

■ 3.3V Devices ($\pm 10\%$)

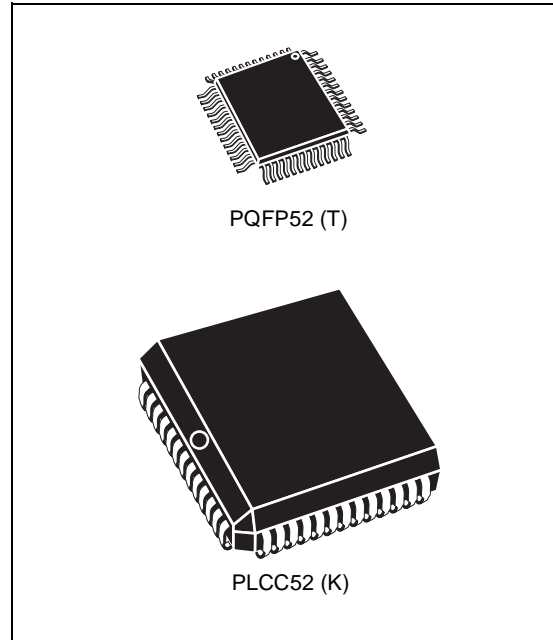
■ Up to 16 Multifunction I/O Pins

- Increase total DSP system I/O capability
- I/O controlled by DSP software or PLD logic
- 4mA I/O pin drive

■ General purpose PLD

- Over 3,000 Gates of PLD with 16 macro cells
- Use for peripheral glue logic to keypads, control panel, displays, LCD, UART devices, etc.
- Eliminate PLDs and external logic devices
- Create state machines, chip selects, simple shifters and counters, clock dividers, delays
- Simple PSDsoft Express™ software ...Free

Figure 1. Packages



■ In-System Programming (ISP) with JTAG

- Program entire chip in 10-20 seconds with no involvement of the DSP
- Eliminate sockets for pre-programmed memory and logic devices
- Efficient manufacturing allows easy product testing and Just-In-Time inventory
- Use low-cost FlashLINK™ cable with PC

■ Content Security

- Programmable Security Bit blocks access of device programmers and readers

■ Zero-Power Technology

- 25 μ A at $V_{CC}=3.3V$

■ Small Packaging

- 52-pin PQFP or 52-pin PLCC

■ Memory Speed

- 150 ns

TABLE OF CONTENTS

| | |
|---|-----------|
| Summary Description | 4 |
| Architectural Overview | 7 |
| DSP Address/Data/Control Interface | 7 |
| Flash Memory | 7 |
| Programmable Logic (PLDs) | 8 |
| Runtime Control Registers | 9 |
| Memory Page Register | 9 |
| I/O Ports | 9 |
| JTAG ISP Port | 9 |
| Power Management | 9 |
| Security and NVM Sector Protection | 9 |
| Pin Assignments | 9 |
| Typical connections | 11 |
| Memory Map | 13 |
| Specifying Mem Map with PSDsoft Express™ | 15 |
| Runtime control register definition | 17 |
| Detailed Operation | 18 |
| Flash Memory | 18 |
| Instruction Sequences | 20 |
| Reading Flash Memory | 20 |
| Programming Flash Memory | 21 |
| Erasing Flash Memory | 23 |
| Flash Memory Sector Protect | 24 |
| DSM Security Bit | 25 |
| Reset Flash | 25 |
| Page Register | 25 |
| PLDs | 25 |
| Decode PLD (DPLD) | 27 |
| Complex PLD (CPLD) | 28 |

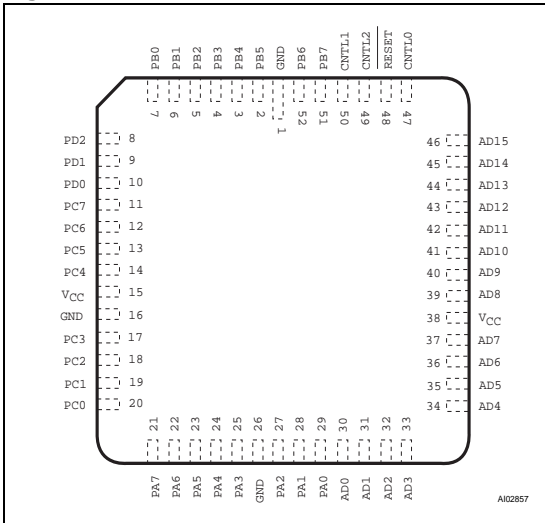
| | |
|--|-----------|
| DSP Bus Interface | 32 |
| I/O Ports | 32 |
| Port Operating Modes | 33 |
| Port B – Functionality and Structure | 35 |
| Port C – Functionality and Structure | 36 |
| Port D – Functionality and Structure | 37 |
| Power Management | 39 |
| PLD Power Management | 40 |
| PSD Chip Select Input (CSI, PD2) | 40 |
| Power On Reset, Warm Reset, Power-down | 41 |
| Programming In-Circuit using JTAG ISP | 41 |
| AC/DC Parameters | 44 |
| Table: Absolute Maximum Ratings | 45 |
| Table: Operating Conditions | 46 |
| Table: DC Characteristics | 48 |
| Table: CPLD Combinatorial Timing | 49 |
| Table: CPLD Macrocell Synchronous Clock Mode Timing | 50 |
| Table: CPLD Macrocell Asynchronous Clock Mode Timing | 50 |
| Table: Input Macrocell Timing | 52 |
| Table: Read Timing | 53 |
| Table: Write Timing | 54 |
| Table: Flash Memory Program, Write and Erase Times | 55 |
| Table: Reset (Reset) Timing | 55 |
| Table: ISC Timing | 56 |
| Package Mechanical | 57 |
| Table: PLCC52 - 52 lead Plastic Leaded Chip Carrier, rectangular | 57 |
| Table: Assignments – PLCC52 | 58 |
| Table: PQFP52 - 52 lead Plastic Quad Flatpack | 59 |
| Table: Pin Assignments – PQFP52 | 60 |
| Table: Ordering Information Scheme | 61 |

SUMMARY DESCRIPTION

These are system memory devices for use with Digital Signal Processors from the popular Analog Devices ADSP-218X family. DSM means Digital signal processor System Memory. A DSM device brings in-system programmable Flash memory, programmable logic, and additional I/O to DSP systems. The result is a simple and flexible two-chip solution for DSP designs. DSM devices provide the flexibility of Flash memory and smart JTAG programming techniques for both manufacturing and the field. On-chip integrated memory decode logic and memory paging logic make it easy to add large amounts of external Flash memory to the ADSP-218X family for bootloading upon power-up and/or overlay memory. The DSP accesses this Flash memory using either its Byte DMA (BDMA) interface or as external data overlay memory (no DMA setup overhead).

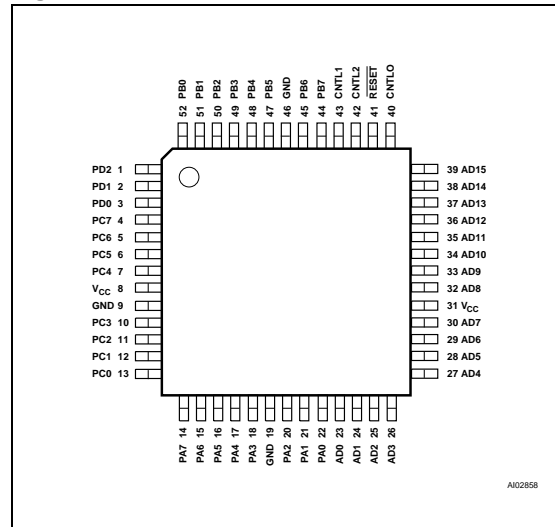
product and manage inventory by rapidly programming test code, then application code as determined by inventory requirements (Just-In Time inventory). Additionally, JTAG ISP reduces development time by turning fast iterations of DSP code in the lab. Code updates in the field require no disassembly of product. The FlashLINK™ JTAG programming cable costs \$59 USD and plugs into any PC or note-book parallel port.

Figure 2. PLCC Connections



JTAG In-System Programming (ISP) reduces development time, simplifies manufacturing flow, and lowers the cost of field upgrades. The JTAG ISP interface eliminates the need for sockets and pre-programmed memory and logic devices. For manufacturing, end products may be assembled with a blank DSM device soldered to the circuit board and programmed at the end of the manufacturing line in 10 to 20 seconds with no involvement of the DSP. This allows efficient means to test

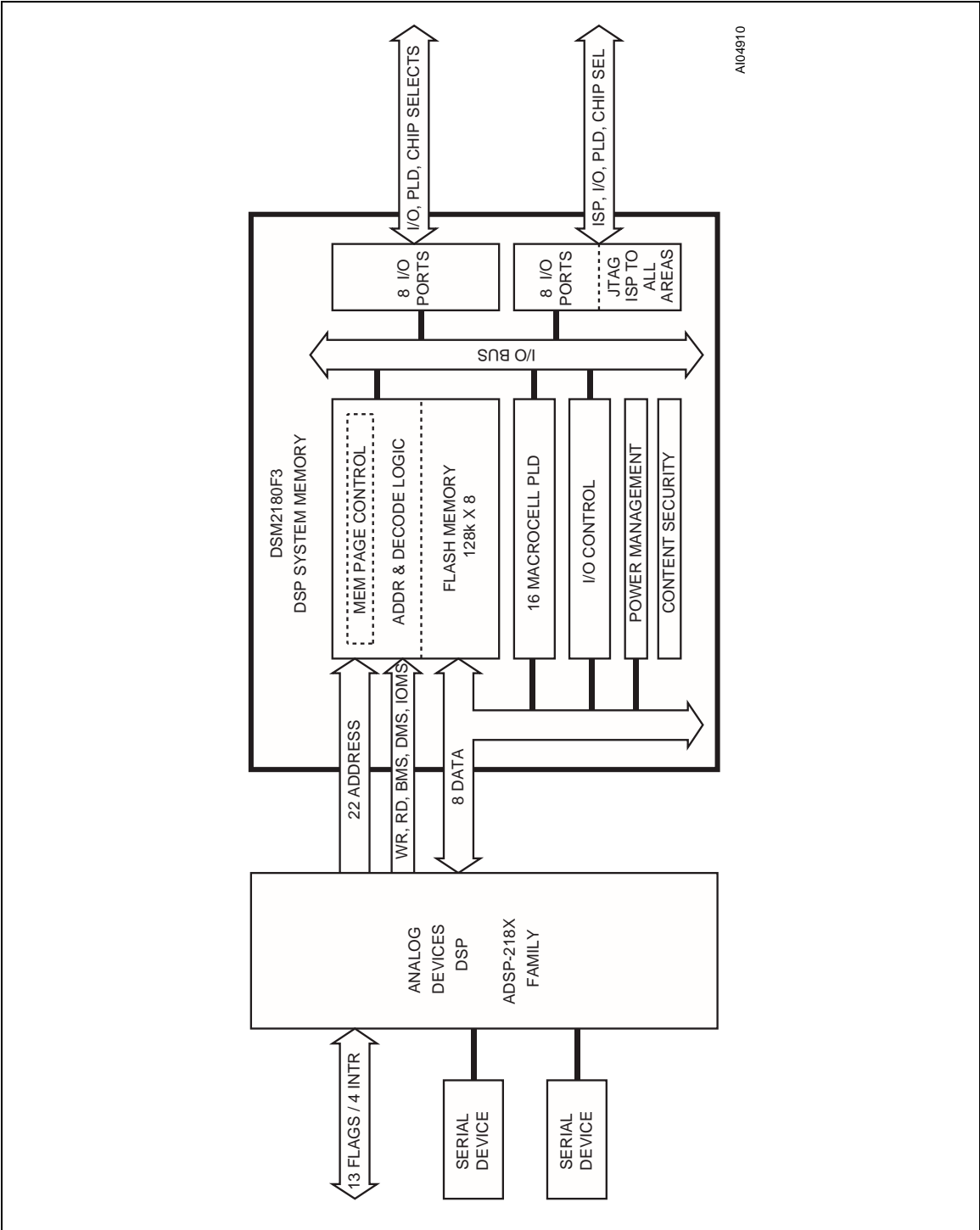
Figure 3. PQFP Connections



In addition to ISP Flash memory, DSM devices add programmable logic (PLD) and up to 16 configurable I/O pins to the DSP system. The state of each I/O pin can be driven by DSP software or PLD logic. PLD and I/O configuration are programmable by JTAG ISP, just like the Flash memory. The PLD consists of more than 3000 gates and has 16 macro cell registers. Common uses for the PLD include chip selects for external devices (i.e. UART), state-machines, simple shifters and counters, keypad and control panel interfaces, clock dividers, handshake delay, muxes, etc. This eliminates the need for small external PLDs and logic devices. Configuration of PLD, I/O, and Flash memory mapping are easily entered in a point-and-click environment using the software development tool, PSDsoft Express™. This software is available at no charge from www.psdst.com.



Figure 4. System Block Diagram, Two-Chip Solution



The two-chip combination of a DSP and a DSM device is ideal for systems which have limitations on size, EMI levels, and power consumption. DSM memory and logic are “zero-power”, meaning they

automatically go to standby between memory accesses or logic input changes, producing low active and standby current consumption, which is ideal for battery powered products.



DSM2180F3V

A programmable security bit in the DSM protects its contents from unauthorized viewing and copying. When set, the security bit will block access of programming devices (JTAG or others) to the DSM Flash memory and PLD configuration. The

only way to defeat the security bit is to erase the entire DSM device, after which the device is blank and may be used again. The DSP will always have access to Flash memory contents through the 8-bit data port even while the security bit is set.

Table 1. DSM2180F3V DSP Memory System Devices

| Part Number | ISP Flash Memory | Flash Partitioning | PLD | I/O Ports | V _{CC} and I/O | Mem Speed |
|---------------|------------------|------------------------|----------------|-----------|-------------------------|-----------|
| DSM2180F3V-15 | 128K Bytes | Eight 16K Byte Sectors | 16 macro cells | Up to 16 | 3.3V ±10% | 150 ns |

Table 2. Compatible Analog Devices DSPs

| DSP Part Numbers | Operating Voltage, V _{CC} | I/O Capability |
|--|------------------------------------|----------------|
| ADSP-2183, 2184L, 2185L, 2186L, 2187L | 3.3V | 3.3V |
| ADSP-2185M, 2186M, 2188M, 2189M | 2.5V | 2.5 - 3.3V |
| ADSP-2185N, 2186N, 2187N, 2188N, 2189N | 1.8V | 1.8 - 3.3V |

ARCHITECTURAL OVERVIEW

Major functional blocks are shown in Figure 5.

DSP Address/Data/Control Interface

These DSP signals attach directly to the DSM inputs for a glueless connection. An 8-bit data connection is formed and all 22 DSP address lines can be decoded while the DSP operates in full memory mode. DSP memory strobes; $\overline{\text{BMS}}$, $\overline{\text{DMS}}$, and $\overline{\text{IOMS}}$ are used for BDMA, data, & I/O access respectively (no program memory access, $\overline{\text{PMS}}$).

Flash Memory

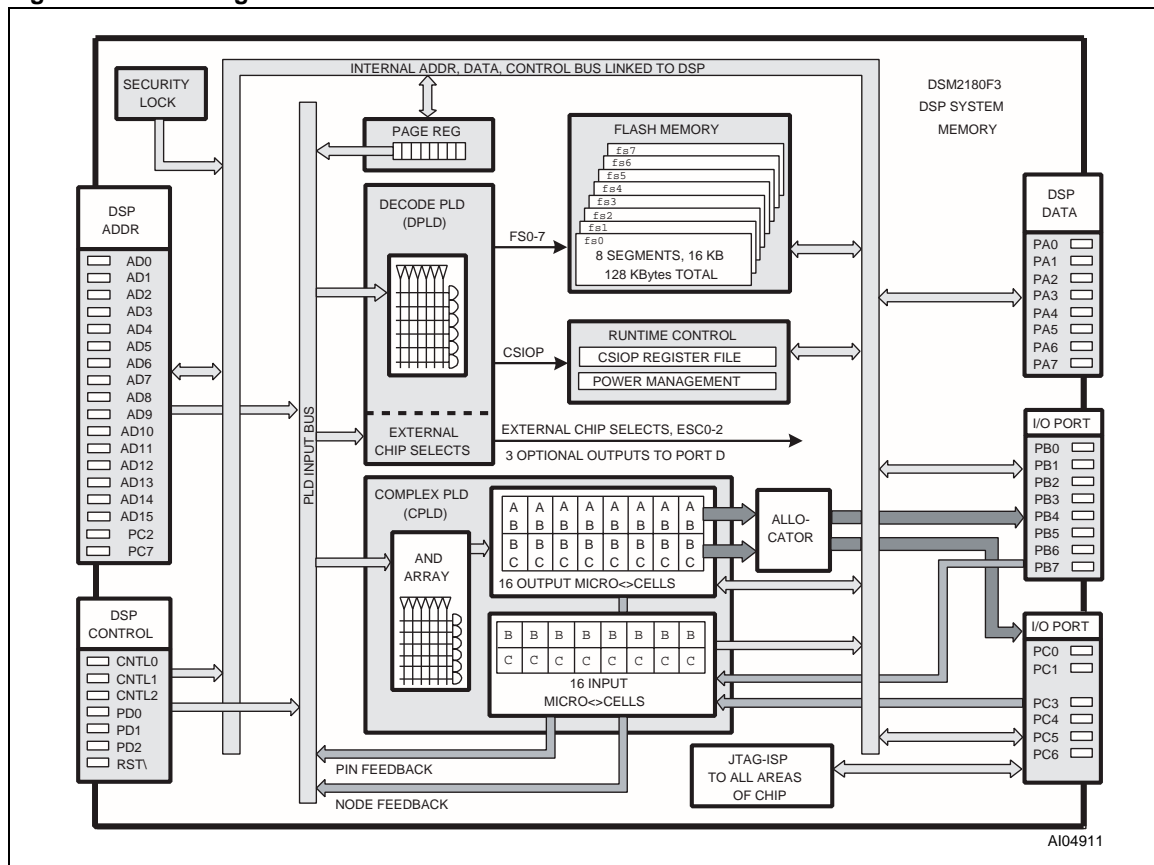
The 1 Mbit (128K x 8) Flash memory is divided into eight equally-sized 16K byte sectors that are individually selectable through the Decode PLD. Each Flash memory sector can be located at any address as defined by the user with PSDsoft Express. The flexibility of the Decode PLD and Page Register logic allow the DSP to access Flash memory as Byte DMA (BDMA) or as external data overlay memory across several memory pages. BDMA transfers are good for initial bootloading and for loading internal overlay memory at runtime, but BDMA is not efficient writing to Flash memory because Flash memory is unlocked, written, and status is checked one byte at a time, requiring an initialization of the BDMA channel for each and every byte transfer. The DSM device al-

lows the DSP to alternatively access Flash memory as data overlay memory (using $\overline{\text{DMS}}$ instead of $\overline{\text{BMS}}$). Writing Flash memory this way is faster and requires simpler code. Note: During a DSP data access using the $\overline{\text{DMS}}$ strobe, only the upper byte of a 16-bit DSP data word is used.

DSM Flash memory sector size of 16K bytes matches the DSP external Data Memory Overlay window size of 16K locations (two 8K windows when DMOVLAY register is used, see Analog Devices ADSP-218X data sheets). This alignment provides convenient data management. Also, each 16K byte sector can be loaded with contents from different firmware or data files specified in PSDsoft Express™.

Miscellaneous: The DSP can erase Flash memory by individual sectors or the entire Flash memory array may be erased at one time. The Flash memory automatically goes to standby between DSP read or write accesses to conserve power. Maximum access times include sector decoding time. Maximum erase cycles is 100K and data retention is 15 years minimum. Flash memory, as well as the entire DSM device may be programmed with the JTAG ISP interface with no DSP involvement.

Figure 5. Block Diagram



Programmable Logic (PLDs)

The DSM family contains two PLDs that may optionally run in Turbo or Non-Turbo mode. PLDs operate faster (less propagation delay) while in Turbo mode but consume more power than Non-Turbo mode. Non-Turbo mode allows the PLDs to automatically go to standby when no inputs are change to conserve power. The Turbo mode setting is controlled at runtime by DSP software.

Decode PLD (DPLD). This is programmable logic used to select one of the eight individual Flash memory segments or the group of control registers within the DSM device. The DPLD can also optionally drive external chip select signals on Port D pins. DPLD input signals include: DSP address and control signals, Page Register outputs, DSM Port Pins, CPLD logic feedback.

Complex PLD (CPLD). This programmable logic is used to create both combinatorial and sequential general purpose logic. The CPLD contains 16 Output Macrocells (OMCs) and 16 Input Macrocells (IMCs). PSD Macrocell registers are unique in that they have direct connection to the DSP data bus allowing them to be loaded and read directly by the DSP at runtime. This direct access is good

for making small peripheral devices (shifters, counters, state machines, etc.) that are accessed directly by the DSP with little overhead. DPLD inputs include DSP address and control signals, Page Register outputs, DSM Port Pins, and CPLD feedback.

OMCs: The general structure of the CPLD is similar in nature to a 22V10 PLD device with the familiar sum-of-products (AND-OR) construct. True and complement versions of 64 input signals are available to a large AND array. AND array outputs feed into a multiple product-term OR gate within each OMC (up to 10 product-terms for each OMC). Logic output of the OR gate can be passed on as combinatorial logic or combined with a flip-flop within in each OMC to realize sequential logic. OMCs can be used as a buried nodes with feedback to the AND array or OMC output can be routed to pins on Port B or Port C.

IMCs: Inputs from pins on Port B or Port C are routed to IMCs for conditioning (clocking or latching) as they enter the chip, which is good for sampling and debouncing inputs. Alternatively, IMCs can pass Port input signals directly to PLD inputs

without clocking or latching. The DSP may read the IMCs at any time.

Runtime Control Registers

A block of 256 bytes is decoded inside the DSM device as DSM control and status registers. 27 registers are used in the block of 256 locations to control the output state of I/O pins, to read I/O pins, to control power management, to read/write macrocells, and other functions at runtime. See Table 4 for description. The base address of these 256 locations is referred to in this data sheet as *csiop* (Chip Select I/O Port). Individual registers within this block are accessed with an offset from the base address. The DSP accesses *csiop* registers using I/O memory with the \overline{IOMS} strobe. *csiop* registers are accessed as bytes, so only the lower half of a DSP I/O word is used during access.

Memory Page Register

This 8-bit register can be loaded and read by the DSP at runtime as one of the *csiop* registers. Its outputs feed directly into the PLDs. The page register is a powerful feature that allows the DSP to access all 128K Bytes of DSM Flash memory in 16K byte pages. This size matches the 16K location data overlay window the ADSP-218X family. Page register outputs may also be used as CPLD inputs for general use.

I/O Ports

The DSM has 19 individually configurable I/O pins distributed over the three ports (Ports B, C, and D). Each I/O pin can be individually configured for different functions such as standard MCU I/O ports or PLD I/O on a pin by pin basis. (MCU I/O means that for each pin, its output state can be controlled or its input value can be read by the DSP at runtime using the *csiop* registers like an MCU would do.)

Port C hosts the JTAG ISP signals. Since JTAG-ISP does not occur frequently during the life of a product, those Port C pins are under-utilized. In applications that need every I/O pin, JTAG signals can be multiplexed with general I/O signals to use them for I/O when not performing ISP. See section titled "Programming In-Circuit using JTAG ISP" on page 41 for muxing JTAG pins on Port C, and Application Note AN1153.

The static configuration of all Port pins is defined with the PSDsoft Express™ software development tool. The dynamic action of the Ports pins is controlled by DSP runtime software.

JTAG ISP Port

In-System Programming (ISP) can be performed through the JTAG signals on Port C. This serial interface allows programming of the entire DSM device or subsections (that is, only Flash memory but not the PLDs) without the participation of the

DSP. A blank DSM device soldered to a circuit board can be completely programmed in 10 to 20 seconds. The basic JTAG signals; TMS, TCK, TDI, and TDO form the IEEE-1149.1 interface. The DSM device does not implement the IEEE-1149.1 Boundary Scan functions. The DSM uses the JTAG interface for ISP only. However, the DSM device can reside in a standard JTAG chain with other JTAG devices and it will remain in BY-PASS mode while other devices perform Boundary Scan.

ISP programming time can be reduced as much as 30% by using two more signals on Port C, TSTAT and T \overline{ERR} in addition to TMS, TCK, TDI and TDO. The FlashLINK™ JTAG programming cable is available from STMicroelectronics for \$59USD and PSDsoft Express software is available at no charge from www.psdsoft.com. That is all that is needed to program a DSM device using the parallel port on any PC or note-book. See section titled "Programming In-Circuit using JTAG ISP" on page 41.

Power Management

The DSM has bits in *csiop* control registers that are configured at run-time by the DSP to reduce power consumption of the CPLD. The Turbo bit in the P $\overline{MMR0}$ register can be set to logic 1 and the CPLD will go to Non-Turbo mode, meaning it will latch its outputs and go to sleep until the next transition on its inputs. There is a slight penalty in PLD performance (longer propagation delay), but significant power savings are realized.

Additionally, bits in two *csiop* registers can be set by the DSP to selectively block signals from entering the CPLD which reduces power consumption. See section titled "Power Management" on page 39.

Security and NVM Sector Protection

A programmable security bit in the DSM protects its contents from unauthorized viewing and copying. When set, the security bit will block access of programming devices (JTAG or others) to the DSM Flash memory and PLD configuration. The only way to defeat the security bit is to erase the entire DSM device, after which the device is blank and may be used again.

Additionally, the contents of each individual Flash memory sector can be write protected (sector protection) by configuration with PSDsoft Express™. This is typically used to protect DSP boot code from being corrupted by inadvertent writes to Flash memory from the DSP.

Pin Assignments

Pin assignment are shown for the 52-pin PLCC package in Figure 2, and the 52-pin PQFP package in Figure 3.



Table 3. Pin Description

| Pin Name | Type | Description |
|--------------------|------|--|
| ADIO0-15 | In | Sixteen address inputs from the DSP. |
| CNTL0 | In | Active low write strobe input (\overline{WR}) from the DSP |
| CNTL1 | In | Active low read strobe input (\overline{RD}) from the DSP. |
| CNTL2 | In | Active low Byte Memory Select (\overline{BMS}) signal from the DSP. |
| \overline{Reset} | In | Active low reset input from system. Resets DSM I/O Ports, Page Register contents, and other DSM configuration registers. Must be logic Low at Power-up. |
| PA0-7 | I/O | Eight data bus signals connected to DSP pins D8 - D15. |
| PB0-7 | I/O | Eight configurable Port B signals with the following functions: 1. MCU I/O – DSP may write or read pins directly at runtime with csiop registers. 2. CPLD Output Macrocell (McellAB0-7 or McellBC0-7) outputs. 3. Inputs to the PLDs (Input Macrocells). Note: Each of the four Port B signals PB0-PB3 may be configured at run-time as either standard CMOS or for high slew rate. Each of the four Port B signals PB3-PB7 may be configured at run-time as either standard CMOS or Open Drain Outputs. |
| PC0-7 | I/O | Eight configurable Port C signals with the following functions: 1. MCU I/O – DSP may write or read pins directly at runtime with csiop registers. 2. CPLD Output Macrocell (McellBC0-7) output. 3. Input to the PLDs (Input Macrocells). 4. Pins PC0, PC1, PC5, and PC6 can optionally form the JTAG IEEE-1149.1 ISP serial interface as signals TMS, TCK, TDI, and TDO respectively. 5. Pins PC3 and PC4 can optionally form the enhanced JTAG signals TSTAT and \overline{TERR} respectively. Reduces ISP programming time by up to 30% when used in addition to the standard four JTAG signals: TDI, TDO, TMS, TCK. 6. Pin PC3 can optionally be configured as the Ready/Busy output to indicate Flash memory programming status during parallel programming. May be polled by DSP or used as DSP interrupt to indicate when Flash memory byte programming or erase operations are complete. Note 1: Port C pin PC2 input (or any PLD input pin) can be connected to DSP D18 output which functions as DSP address A16 in DSP Full Memory Mode. See Figure 6. Note 2: Port C pin PC7 input (or any PLD input pin) can be connected to DSP D19 output which functions as DSP address A17 in DSP Full Memory Mode. See Figure 6. Note 3: When used as general I/O, each of the eight Port C signals may be configured at run-time as either standard CMOS or Open Drain Outputs. Note 4: The JTAG ISP pins may be multiplexed with other I/O functions. |
| PD0-2 | I/O | Three configurable Port D signals with the following functions: 1. MCU I/O – DSP may write or read pins directly at runtime with csiop registers. 2. Input to the PLDs (no associated Input Macrocells, routes directly into PLDs). 3. CPLD output (External Chip Select). Does not consume Output Macrocells. 4. Pin PD1 can optionally be configured as CLKIN, a common clock input to PLD. 5. Pin PD2 can optionally be configured as \overline{CSI} , an active low Chip Select Input to select Flash memory. Flash memory is disabled to conserve more power when \overline{CSI} is logic high. Can connect \overline{CSI} to ADSP-218X PWDACK output signal. Note 1: It is recommended to connect Port D pin PD0 input to DSP \overline{IOMS} output which is the active low I/O Memory Select strobe. See Figure 6. Note 2: It is recommended to connect Port D pin PD1 input to DSP \overline{DMS} output which is the active low Data Memory Select strobe. See Figure 6. Note 3: It is recommended to connect Port D pin PD2 input to DSP PWDACK output if the DSP Power Down mode is used. See Figure 6. |
| V _{CC} | | Supply Voltage |
| GND | | Ground pins |

TYPICAL CONNECTIONS

Figure 6 shows a typical connection scheme. Many connection possibilities exist since most DSM pins are multipurpose. The scheme illustrated is ideal for a design that needs fast JTAG ISP, Eight additional general I/O with PLD capability, access to Flash memory as Byte DMA or as Data Overlay memory, and the DSP uses Power Down mode. If your design needs more I/O, or Byte DMA access to Flash memory is all that is needed (no Data Overlay), or lowest power consumption is not an issue, then consider the following options.

Port C JTAG: Figure 6 shows all six JTAG signals in use full time (not multiplexed with I/O). Using six-pin JTAG can reduce ISP time by as much as 30% compared to four-pin JTAG. Alternatively, four-pin JTAG (TMS, TCK, TDI, TDO) can be used if more general I/O pins are needed and the few extra seconds of programming time is not crucial, freeing up pins PC3 and PC4. Other JTAG options include multiplexing JTAG pins with general I/O (see "Programming In-Circuit using JTAG ISP" on page 41 and Application Note AN1153) or not using JTAG at all. If no JTAG is used, the DSM device has to be programmed on a conventional

programmer before it is installed on the circuit board. Using no JTAG makes more I/O available.

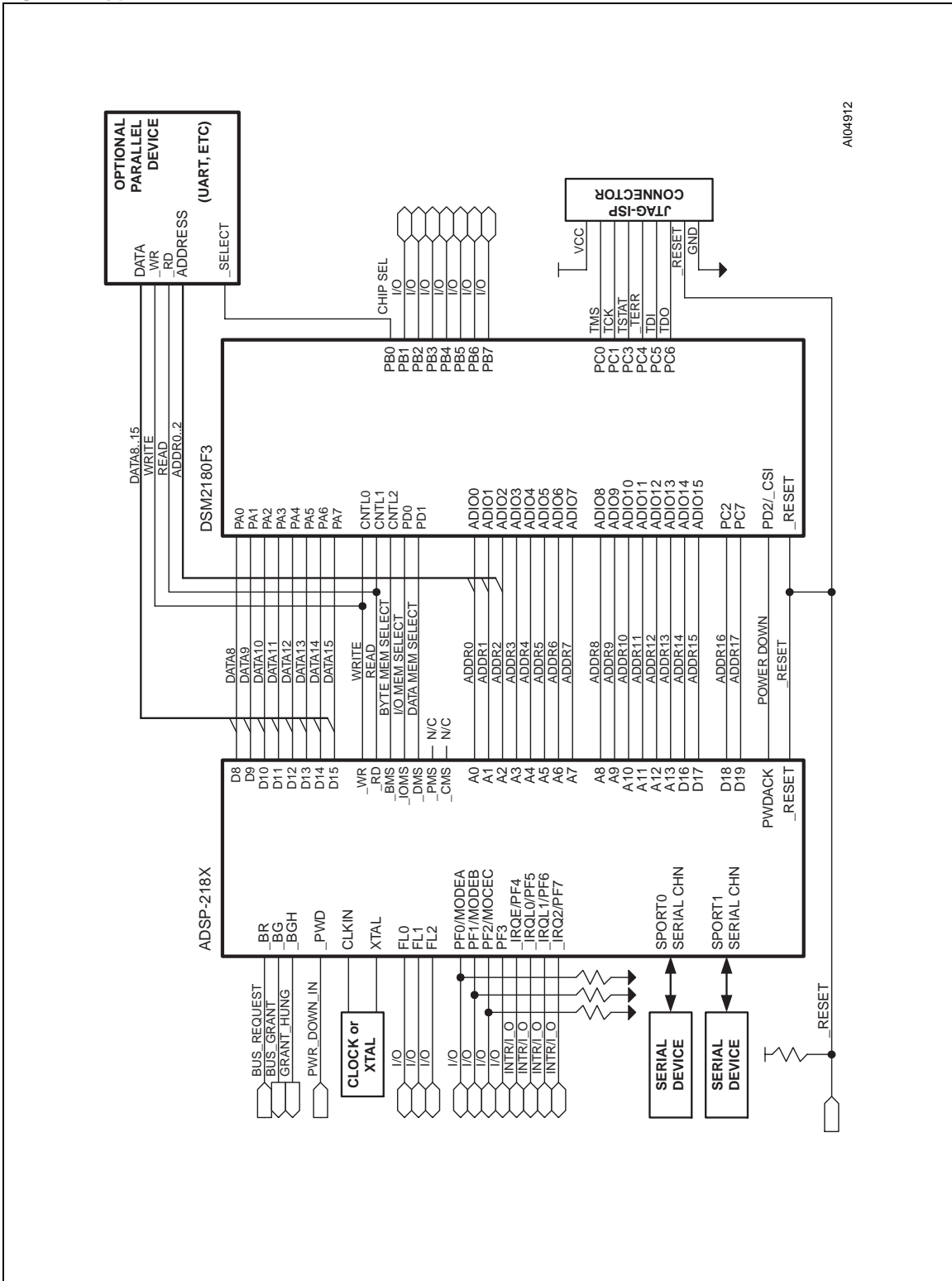
Pin PD1. If Flash memory will be accessed only using Byte DMA mode in your design, and no external Data Overlay memory accesses are used, then pin PD1 can be used for other purposes (MCU I/O, common CPLD clock input, external chip select, or PLD input)

Pin PD2. If the DSP will not use Power Down mode, then PD2 can be used for other purposes (MCU I/O, external chip select, PLD input)

Pins PC2 and PC7. In Figure 6, these two pins are used as dedicated address inputs connected to DSP address outputs. This will route DSP address signals A16 and A17 directly into the DPLD. Be aware that any free pin on Port B, Port C, or Port D may be used for DSP address inputs, it does not have to be pins PC2 and PC7.

Pin PB0. This pin is shown as a chip select for an external peripheral device such as a 16450 or 16550 UART. Equivalently, any free pin on Ports B, C, or D may be used for this.

Figure 6. Typical Connections



A104912

MEMORY MAP

Figure 7 shows a typical system memory map. The nomenclature *fs0..fs7* are individual 16K Byte Flash memory segment designators. *csiop* designates the DSM control register block. The DSP runs in Full Memory Mode. Memory contents of the DSM device may lie in one or more of three different DSP address spaces; I/O space, Byte DMA space, and/or External Data Overlay Memory space. Since the DSM device is a byte-wide memory, it typically is not used in DSP Program Memory space (PMS active).

The designer may easily specify memory mapping in a point-and-click software environment using PSDsoft Express™. Since the memory mapping is implemented with the DPLD and the Page Register, many possibilities exist. Figure 7 shows a typical memory map with the following attributes:

I/O Address Space. The 256 byte locations for DSM control registers (*csiop*) reside in DSP I/O address space, selected by the DSP \overline{IOMS} signal. Since DSP I/O accesses are by 16 bits, not 8 bits, the upper byte of a 16-bit DSP I/O access must be ignored.

Byte DMA Address Space. The DSP may bootload or fetch overlay bytes from 128K Bytes of Flash memory using the DSP BDMA channel. The DSP may also write to Flash memory using the Byte DMA channel. DSM Flash memory is accessed in 128K continuous byte address locations

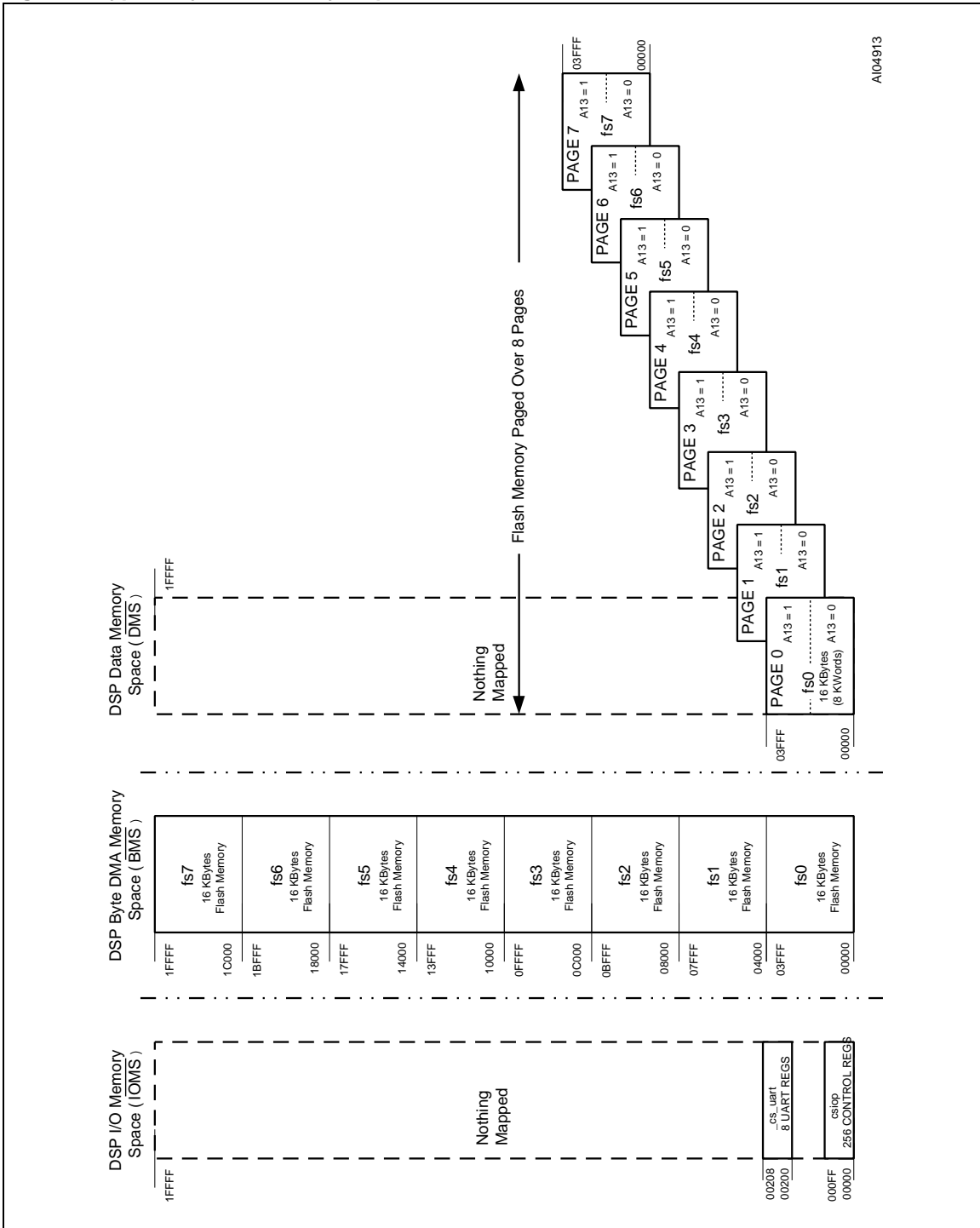
through the BDMA channel and is selected whenever the DSP \overline{BMS} signal is active.

Flash memory in the DSM device must be unlocked and written by the DSP one byte at a time, checking status after each write (typical Flash memory programming algorithm). A DMA channel is not optimum for this scenario since the channel must be initialized on each byte access. That is why the 128K Bytes of Flash memory also lie in DSP Data Overlay Memory space as described next.

Data Overlay Memory Address Space. All

128K Bytes of Flash memory also reside in DSP External Data Overlay Memory space, selected by \overline{DMS} , allowing more efficient byte writes to Flash memory. The DSP uses its external data overlay window of 8K locations to access external memory as data. The DSP doubles the size of this window to 16K locations by manipulating its A13 address line using its DMOVLAY register (See ADSP-218X data sheets for details). Since all 128K Bytes of Flash memory must be accessed through a window of only 16K locations, the DSP uses the Page Register inside the DSM device to page through 8 pages of 16K Bytes as shown in Figure 7. Since DSP Data accesses are by 16 bits, not 8 bits, the upper byte of a 16-bit DSP Data access must be ignored.

Figure 7. Typical System Memory Map



SPECIFYING MEM MAP WITH PSDSOFT EXPRESS™

The memory map shown in Figure 7 can be easily specified with PSDsoft Express™ in a point-and-click environment. PSDsoft Express™ will generate Hardware Definition Language (HDL) state-

ments of the ABEL language. Figure 8 shows the resulting equations generated by PSDsoft Express™.

Figure 8. HDL Statements Generated from PSDsoft Express to Implement Memory Map

```

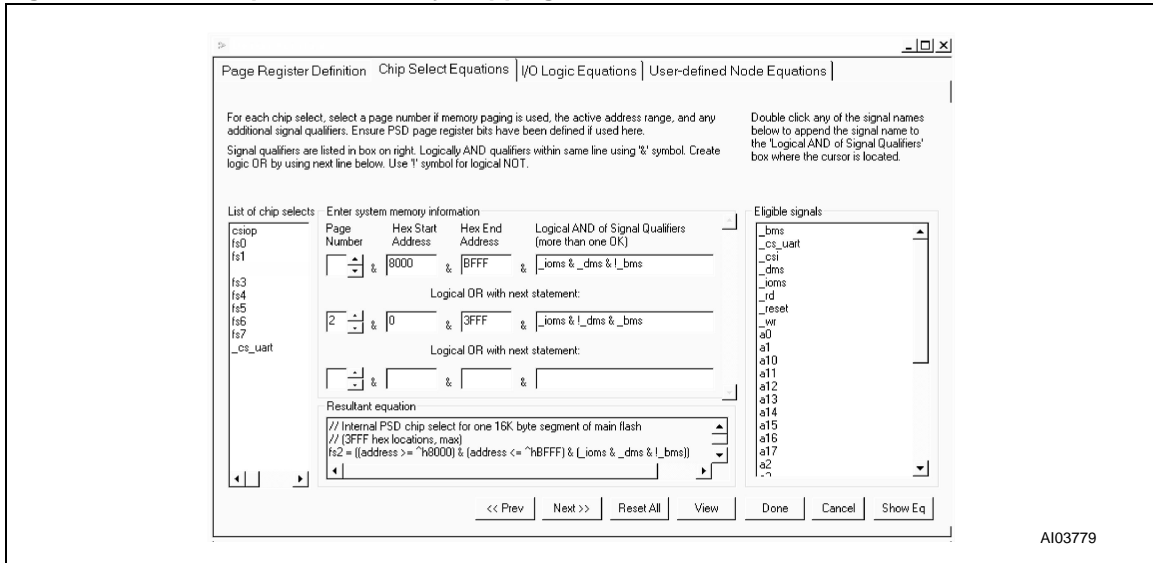
csiop = ((address >= ^h0000) & (address <= ^h00FF) & (!_ioms & _dms & !_bms));
fs0 = ((address >= ^h0000) & (address <= ^h3FFF) & (_ioms & _dms & !_bms))
# ((page == 0) & (address >= ^h0000) & (address <= ^h3FFF) & (_ioms & !_dms &
_bms));
fs1 = ((address >= ^h4000) & (address <= ^h7FFF) & (_ioms & _dms & !_bms))
# ((page == 1) & (address >= ^h0000) & (address <= ^h3FFF) & (_ioms & !_dms &
_bms));
fs2 = ((address >= ^h8000) & (address <= ^hBFFF) & (_ioms & _dms & !_bms))
# ((page == 2) & (address >= ^h0000) & (address <= ^h3FFF) & (_ioms & !_dms &
_bms));
fs3 = ((address >= ^hC000) & (address <= ^hFFFF) & (_ioms & _dms & !_bms))
# ((page == 3) & (address >= ^h0000) & (address <= ^h3FFF) & (_ioms & !_dms &
_bms));
fs4 = ((address >= ^h10000) & (address <= ^h13FFF) & (_ioms & _dms & !_bms))
# ((page == 4) & (address >= ^h0000) & (address <= ^h3FFF) & (_ioms & !_dms &
_bms));
fs5 = ((address >= ^h14000) & (address <= ^h17FFF) & (_ioms & _dms & !_bms))
# ((page == 5) & (address >= ^h0000) & (address <= ^h3FFF) & (_ioms & !_dms &
_bms));
fs6 = ((address >= ^h18000) & (address <= ^h1BFFF) & (_ioms & _dms & !_bms))
# ((page == 6) & (address >= ^h0000) & (address <= ^h3FFF) & (_ioms & !_dms &
_bms));
fs7 = ((address >= ^h1C000) & (address <= ^h1FFFF) & (_ioms & _dms & !_bms))
# ((page == 7) & (address >= ^h0000) & (address <= ^h3FFF) & (_ioms & !_dms &
_bms));
!_cs_uart = ((address >= ^h0200) & (address <= ^h0207) & (!_ioms & _dms & _bms));

```

Specifying these equations using PSDsoft Express™ is very simple. Figure 9 shows how to specify the equation for the 16K Byte Flash memory segment, *fs2*. Notice how *fs2* can reside in two different address spaces depending on the state of the control signals from the DSP (*IOMS*, *DMS*, or

BMS) and the memory page number coming from the DSM Page Register outputs. This specification process is repeated for all other Flash memory segments, the *csiop* register block, and any external chip select signals (UART, etc.).

Figure 9. PSDsoft Express™ Memory Mapping



AI03779

RUNTIME CONTROL REGISTER DEFINITION

There are up to 256 addresses decoded inside the DSM device for control and status information. 27 of these locations contain registers that the DSP can access at runtime. The base address of this block of 256 locations is referred to in this manual as *csiop* (Chip Select I/O Port). Table 4 lists the 27 registers and their offsets (in hex) from the *csiop* base address needed to access individual DSM control and status registers. The DSP will access these registers in I/O memory space using its \overline{IOMS}

strobe. These registers are accesses in bytes, so the DSP should ignore the upper byte of its 16-bit I/O access.

Note1: All *csiop* registers are cleared to logic 0 at reset.

Note2: Do not write to unused locations within the *csiop* block of 256 registers. They should remain logic zero.

Table 4. CSIOP Registers and their Offsets (in hex)

| Register Name | Port B | Port C | Port D | Other | Description |
|----------------------|--------|--------|--------|-------|---|
| Data In | 01 | 10 | 11 | | MCU/I/O input mode. Read to obtain current logic level of Port pins. No writes. |
| Data Out | 05 | 12 | 13 | | MCU I/O output mode. Write to set logic level on Port pins. Read to check status. |
| Direction | 07 | 14 | 15 | | MCU I/O mode. Configures Port pin as input or output. Write to set direction of Port pins. Logic 1 = out, Logic 0 = in. Read to check status. |
| Drive Select | 09 | 16 | 17 | | Write to configure Port pins as either standard CMOS or Open Drain on some pins, while selecting high slew rate on other pins. Read to check status. |
| Input Macrocells | 0B | 18 | | | Read to obtain state of IMCs. No writes. |
| Enable Out | 0D | 1A | 1B | | Read to obtain the status of the output enable logic on each I/O Port driver. No writes. |
| Output Macrocells AB | | | | 20 | Read to get logic state of output of OMC bank AB. Write to load registers of OMC bank AB. |
| Output Macrocells BC | | | | 21 | Read to get logic state of output of OMC bank BC. Write to load registers of OMC bank BC. |
| Mask Macrocells AB | | | | 22 | Write to set mask for loading OMCs in bank AB. A logic 1 in a bit position will block reads/writes of the corresponding OMC. A logic 0 will pass OMC value. Read to check status. |
| Mask Macrocells BC | | | | 23 | Write to set mask for loading OMCs in bank BC. A logic 1 in a bit position will block reads/writes of the corresponding OMC. A logic 0 will pass OMC value. Read to check status. |
| Flash Sector Protect | | | | C0 | Read to determine Flash Sector Protection Setting. No writes. |
| Security Bit | | | | C2 | Read to determine if DSM devices Security Bit is active. Logic 1 = device secured. No writes. |
| JTAG Enable | | | | C7 | Write to enable JTAG Pins (optional feature). Read to check status. |
| PMMR0 | | | | B0 | Power Management Register 0. Write and read. |
| PMMR2 | | | | B4 | Power Management Register 2. Write and read. |
| Page | | | | E0 | Memory Page Register. Write and read. |

DETAILED OPERATION

Figure 5 shows major functional areas of the device:

- Flash Memory
- PLDs (DPLD, CPLD, Page Register)
- DSP Bus Interface (Address, Data, Control)
- I/O Ports
- Runtime Control Registers
- JTAG ISP Interface

The following describes these functions in more detail.

Flash Memory

The Flash memory array is divided evenly into eight equal 16K byte sectors. Each sector is selected by the DPLD can be separately protected from program and erase cycles. This configuration is specified by using PSDsoft Express™.

Memory Sector Select Signals. The DPLD generates the Select signals for all the internal memory blocks (see Figure 14). Each of the eight sectors of the Flash memory has a Select signal (*FS0-FS7*) which contains up to three product terms. Having three product terms for each Select signal allows a given sector to be mapped into multiple areas of system memory.

Ready/Busy (PC3). This signal can be used to output the Ready/Busy status of the device. The output on Ready/Busy (PC3) is a 0 (Busy) when Flash memory is being written, or when Flash memory is being erased. The output is a 1 (Ready) when no Write or Erase cycle is in progress. This signal may be polled by the DSP or used as a DSP interrupt to indicate when an erase or program cycle is complete.

Memory Operation. The Flash memory is accessed through the DSP Address, Data, and Control Bus Interface. The DSP can access Flash memory as BDMA mode or as External Data Memory Overlay. But from the DSM perspective, it sees either type of access as a series of byte operations (reads and writes). If the DSP accesses the DSM in BDMA mode, then the DSP BDMA channel must be initialized and run for each byte (or block of bytes) read from Flash memory or it must initialize the DMA channel for each byte written to Flash memory. Alternatively, if the DSP accesses the DSM in External Data Memory Overlay mode, then the DSP must only ensure the PSD Page Register and the DSP DMOVLAY register contains the correct value, then it performs a normal data read or data write operation without the burden of initializing the BDMA channel for each operation (upper byte of 16-bit word is ignored).

DSPs and MCUs cannot write to Flash memory as it would an SRAM device. Flash memory must first be “unlocked” with a special sequence of byte write operations to invoke an internal algorithm, then a single data byte is written to the Flash memory array, then programming status is checked by a byte read operation or by checking the Ready/Busy pin (PC3). Table 5 lists all of the special instruction sequences to program (write) data to the Flash memory array, erase the array, and check for different types of status from the array. These instruction sequences are different combinations of individual byte write and byte read operations.

Once the Flash memory array is programmed (written) and then it is in “Read Array” mode, the DSP will read from Flash memory just as if would from any 8-bit ROM or SRAM device.

Table 5. Instruction Sequences^{1,2,3,4}

| Instruction Sequence | Cycle 1 | Cycle 2 | Cycle 3 | Cycle 4 | Cycle 5 | Cycle 6 | Cycle 7 |
|---|--|---------------------|---------------------|--|---------------------|-----------------------------|-----------------------------|
| Read Memory Contents ⁵ | Read byte from any valid Flash memory addr | | | | | | |
| Read Flash Identifier ^{6,7} | Write AAh to XX555h | Write 55h to XXAAAh | Write 90h to XX555h | Read identifier with addr lines A6,A1,A0 = 0,0,1 | | | |
| Read Memory Sector Protection Status ^{6,7,8} | Write AAh to XX555h | Write 55h to XXAAAh | Write 90h to XX555h | Read identifier with addr lines A6,A1,A0 = 0,1,0 | | | |
| Program a Flash Byte | Write AAh to XX555h | Write 55h to XXAAAh | Write A0h to XX555h | Write (program) data to addr | | | |
| Flash Bulk Erase ⁹ | Write AAh to XX555h | Write 55h to XXAAAh | Write 80h to XX555h | Write AAh to XX555h | Write 55h to XXAAAh | Write 10h to XX555h | |
| Flash Sector Erase ¹⁰ | Write AAh to XX555h | Write 55h to XXAAAh | Write 80h to XX555h | Write AAh to XX555h | Write 55h to XXAAAh | Write 30h to another Sector | Write 30h to another Sector |
| Suspend Sector Erase ¹¹ | Write B0h to address that activates any of FS0 - FS7 | | | | | | |
| Resume Sector Erase ¹² | Write 30h to addr that activates any of FS0 - FS7 | | | | | | |
| Reset Flash ⁶ | Write F0h to address that activates any of FS0 - FS7 | | | | | | |

- Note: 1. All values are in hexadecimal, X = Don't Care
2. A desired internal Flash memory sector select signal (FS0 - FS7) must be active for each write or read cycle. Only one of FS0 - FS7 will be active at any given time depending on the address presented by the DSP and the memory mapping defined in PSDsoft Express. FS0 - FS7 are active high logic internally.
3. DSP addresses A17 through A12 are Don't Care during the instruction sequence decoding. Only address bits A11-A0 are used during Flash memory instruction sequence decoding bus cycles. The individual sector select signal (FS0 - FS7) which is active during the instruction sequences determines the complete address.
4. For write operations, addresses are latched on the falling edge of Write Strobe (\overline{WR} , CNTL0), Data is latched on the rising edge of Write Strobe (\overline{WR} , CNTL0)
5. No Unlock or Instruction cycles are required when the device is in the Read Array mode. Operation is like reading a ROM device.
6. The Reset Flash instruction is required to return to the normal Read Array mode if the Error Flag (DQ5) bit goes High, or after reading the Flash Identifier or after reading the Sector Protection Status.
7. The DSP cannot invoke this instruction sequence while executing code from the same Flash memory as that for which the instruction sequence is intended. The DSP must fetch, for example, the code from the DSP SRAM when reading the Flash memory Identifier or Sector Protection Status.
8. The data is 00h for an unprotected sector, and 01h for a protected sector. In the fourth cycle, the Sector Select is active, and (A1,A0)=(1,0)
9. Directing this command to any individual active Flash memory segment (FS0 - FS7) will invoke the bulk erase of all eight Flash memory sectors.
10. DSP writes command sequence to initial segment to be erased, then writes the byte 30h to additional sectors to be erased. The byte 30h must be addressed to one of the other Flash memory segments (FS0 - FS7) for each additional segment (write 30h to any address within a desired sector). No more than 80uS can elapse between subsequent additional sector erase commands.
11. The system may perform Read and Program cycles in non-erasing sectors, read the Flash ID or read the Sector Protect Status, when in the Suspend Sector Erase mode. The Suspend Sector Erase instruction sequence is valid only during a Sector Erase cycle.
12. The Resume Sector Erase instruction sequence is valid only during the Suspend Sector Erase mode.

Instruction Sequences

An instruction sequence consists of a sequence of specific write or read operations. Each byte written to the device is received and sequentially decoded and not executed as a standard write operation to the memory array. The instruction sequence is executed when the correct number of bytes are properly received and the time between two consecutive bytes is shorter than the time-out period. Some instruction sequences are structured to include read operations after the initial write operations.

The instruction sequence must be followed exactly. Any invalid combination of instruction bytes or time-out between two consecutive bytes while addressing Flash memory resets the device logic into Read Array mode (Flash memory is read like a ROM device). The device supports the instruction sequences summarized in Table 5:

Flash memory:

- Erase memory by chip or sector
- Suspend or resume sector erase
- Program a Byte
- Reset to Read Array mode
- Read primary Flash Identifier value
- Read Sector Protection Status

These instruction sequences are detailed in Table 5. For efficient decoding of the instruction sequences, the first two bytes of an instruction sequence are the coded cycles and are followed by an instruction byte or confirmation byte. The coded cycles consist of writing the data AAh to address XX555h during the first cycle and data 55h to address XXAAAh during the second cycle. Address signals A17-A12 are Don't Care during the instruction sequence Write cycles. However, the appropriate internal Sector Select (*FS0-FS7*) must be selected internally (active, which is logic 1).

Reading Flash Memory

Under typical conditions, the DSP may read the Flash memory using read operations just as it would a ROM or RAM device. Alternately, the DSP may use read operations to obtain status information about a Program or Erase cycle that is currently in progress. Lastly, the DSP may use instruction sequences to read special data from these memory blocks. The following sections describe these read instruction sequences.

Read Memory Contents. Flash memory is placed in the Read Array mode after Power-up, chip reset, or a Reset Flash memory instruction sequence (see Table 5). The DSP can read the memory contents of the Flash memory by using read operations any time the read operation is not part of an instruction sequence.

Read Flash Identifier. The Flash memory identifier is read with an instruction sequence composed of 4 operations: 3 specific write operations and a read operation (see Table 5). During the read operation, address bits A6, A1, and A0 must be 0,0,1, respectively, and the appropriate internal Sector Select (*FS0-FS7*) must be active. The identifier 0xE3.

Read Memory Sector Protection Status. The Flash memory Sector Protection Status is read with an instruction sequence composed of 4 operations: 3 specific write operations and a read operation (see Table 5). During the read operation, address bits A6, A1, and A0 must be 0,1,0, respectively, while internal Sector Select (*FS0-FS7*) designates the Flash memory sector whose protection has to be verified. The read operation produces 01h if the Flash memory sector is protected, or 00h if the sector is not protected.

The sector protection status can also be read by the DSP accessing the Flash memory Protection register in *csiop* space. See the section entitled "Flash Memory Sector Protect" for register definitions.

Table 6. Status Bit Definition

| Functional Block | FS0-FS7 | DQ7 | DQ6 | DQ5 | DQ4 | DQ3 | DQ2 | DQ1 | DQ0 |
|------------------|--|--------------|-------------|------------|-----|----------------|-----|-----|-----|
| Flash Memory | Active (the desired segment is selected) | Data Polling | Toggle Flag | Error Flag | X | Erase Time-out | X | X | X |

Note: 1. X = Not guaranteed value, can be read either 1 or 0.
 2. DQ7-DQ0 represent the Data Bus bits, D7-D0.

Reading the Erase/Program Status Bits. The device provides several status bits to be used by the DSP to confirm the completion of an Erase or Program cycle of Flash memory. These status bits minimize the time that the DSP spends performing

these tasks and are defined in Table 6. The status bits can be read as many times as needed. For Flash memory, the DSP can perform a read operation to obtain these status bits while an Erase or Program instruction sequence is being executed by the embedded algorithm. See the



section entitled “Programming Flash Memory”, on page 21, for details.

Data Polling Flag (DQ7). When erasing or programming in Flash memory, the Data Polling Flag (DQ7) bit outputs the complement of the bit being entered for programming/writing on the Data Polling Flag (DQ7) bit. Once the Program instruction sequence or the write operation is completed, the true logic value is read on the Data Polling Flag (DQ7) bit (in a read operation).

Flash memory instruction features:

- Data Polling is effective after the fourth Write pulse (for a Program instruction sequence) or after the sixth Write pulse (for an Erase instruction sequence). It must be performed at the address being programmed or at an address within the Flash memory sector being erased.
- During an Erase cycle, the Data Polling Flag (DQ7) bit outputs a 0. After completion of the cycle, the Data Polling Flag (DQ7) bit outputs the last bit programmed (it is a 1 after erasing).
- If the byte to be programmed is in a protected Flash memory sector, the instruction sequence is ignored.
- If all the Flash memory sectors to be erased are protected, the Data Polling Flag (DQ7) bit is reset to 0 for about 100 μ s, and then returns to the previous addressed byte. No erasure is performed.

Toggle Flag (DQ6). The device offers another way for determining when the Flash memory Program cycle is completed. During the internal write operation and when the Sector Select FS0-FS7 is true, the Toggle Flag (DQ6) bit toggles from 0 to 1 and 1 to 0 on subsequent attempts to read any byte of the memory.

When the internal cycle is complete, the toggling stops and the data read on the Data Bus D0-7 is the addressed memory byte. The device is now accessible for a new read or write operation. The cycle is finished when two successive reads yield the same output data. Flash memory specific features:

- The Toggle Flag (DQ6) bit is effective after the fourth write operation (for a Program instruction sequence) or after the sixth write operation (for an Erase instruction sequence).
- If the byte to be programmed belongs to a protected Flash memory sector, the instruction sequence is ignored.
- If all the Flash memory sectors selected for erasure are protected, the Toggle Flag (DQ6) bit

toggles to 0 for about 100 μ s and then returns to the previous addressed byte.

Error Flag (DQ5). During a normal Program or Erase cycle, the Error Flag (DQ5) bit is to 0. This bit is set to 1 when there is a failure during Flash memory Byte Program, Sector Erase, or Bulk Erase cycle.

In the case of Flash memory programming, the Error Flag (DQ5) bit indicates the attempt to program a Flash memory bit from the programmed state, 0, to the erased state, 1, which is not valid. The Error Flag (DQ5) bit may also indicate a Time-out condition while attempting to program a byte.

In case of an error in a Flash memory Sector Erase or Byte Program cycle, the Flash memory sector in which the error occurred or to which the programmed byte belongs must no longer be used. Other Flash memory sectors may still be used. The Error Flag (DQ5) bit is reset after a Reset Flash instruction sequence.

Erase Time-out Flag (DQ3). The Erase Time-out Flag (DQ3) bit reflects the time-out period allowed between two consecutive Sector Erase instruction sequence bytes. The Erase Time-out Flag (DQ3) bit is reset to 0 after a Sector Erase cycle for a time period of 100 μ s + 20% unless an additional Sector Erase instruction sequence is decoded. After this time period, or when the additional Sector Erase instruction sequence is decoded, the Erase Time-out Flag (DQ3) bit is set to 1.

Programming Flash Memory

When a byte of Flash memory is programmed, individual bits are programmed to logic 0. You cannot program a bit in Flash memory to a logic 1 once it has been programmed to a logic 0. A bit must be erased to logic 1, and programmed to logic 0. That means Flash memory must be erased prior to being programmed. A byte of Flash memory is erased to all 1s (FFh). The DSP may erase the entire Flash memory array all at once or individual sector-by-sector, but not byte-by-byte. However, the DSP may program Flash memory byte-by-byte.

The Flash memory requires the DSP to send an instruction sequence to program a byte or to erase sectors (see Table 5).

Once the DSP issues a Flash memory Program or Erase instruction sequence, it must check for the status bits for completion. The embedded algorithms that are invoked inside the device provide several ways give status to the DSP. Status may be checked using any of three methods: Data Polling, Data Toggle, or Ready/Busy (pin PC3).

Data Polling. Polling on the Data Polling Flag (DQ7) bit is a method of checking whether a Pro-

gram or Erase cycle is in progress or has completed. Figure 10 shows the Data Polling algorithm.

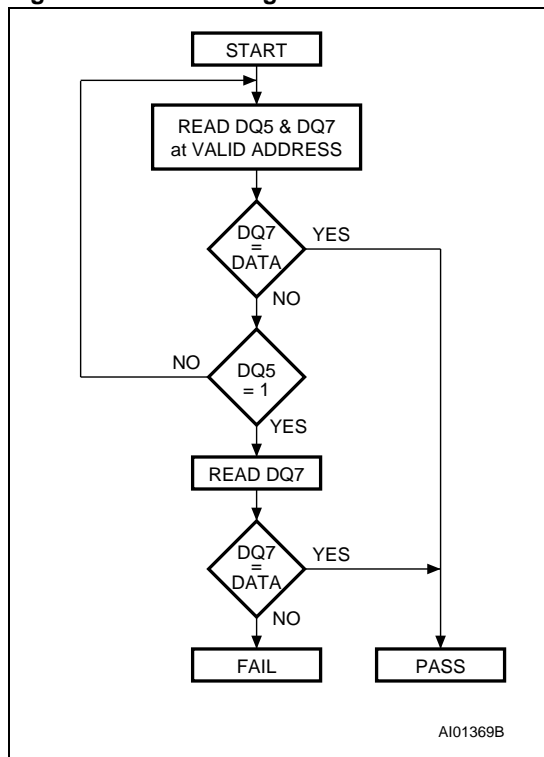
When the DSP issues a Program instruction sequence, the embedded algorithm within the device begins. The DSP then reads the location of the byte to be programmed in Flash memory to check status. The Data Polling Flag (DQ7) bit of this location becomes the compliment of bit 7 of the original data byte to be programmed. The DSP continues to poll this location, comparing the Data Polling Flag (DQ7) bit and monitoring the Error Flag (DQ5) bit. When the Data Polling Flag (DQ7) bit matches bit 7 of the original data, and the Error Flag (DQ5) bit remains 0, then the embedded algorithm is complete. If the Error Flag (DQ5) bit is 1, the DSP should test the Data Polling Flag (DQ7) bit again since the Data Polling Flag (DQ7) bit may have changed simultaneously with the Error Flag (DQ5) bit (see Figure 10).

The Error Flag (DQ5) bit is set if either an internal time-out occurred while the embedded algorithm attempted to program the byte or if the DSP attempted to program a 1 to a bit that was not erased (not erased is logic 0).

It is suggested (as with all Flash memories) to read the location again after the embedded programming algorithm has completed, to compare the byte that was written to the Flash memory with the byte that was intended to be written.

When using the Data Polling method during an Erase cycle, Figure 10 still applies. However, the Data Polling Flag (DQ7) bit is 0 until the Erase cycle is complete. A 1 on the Error Flag (DQ5) bit indicates a time-out condition on the Erase cycle, a 0 indicates no error. The DSP can read any location within the sector being erased to get the Data Polling Flag (DQ7) bit and the Error Flag (DQ5) bit. PSDsoft Express generates ANSI C code functions which implement these Data Polling algorithms.

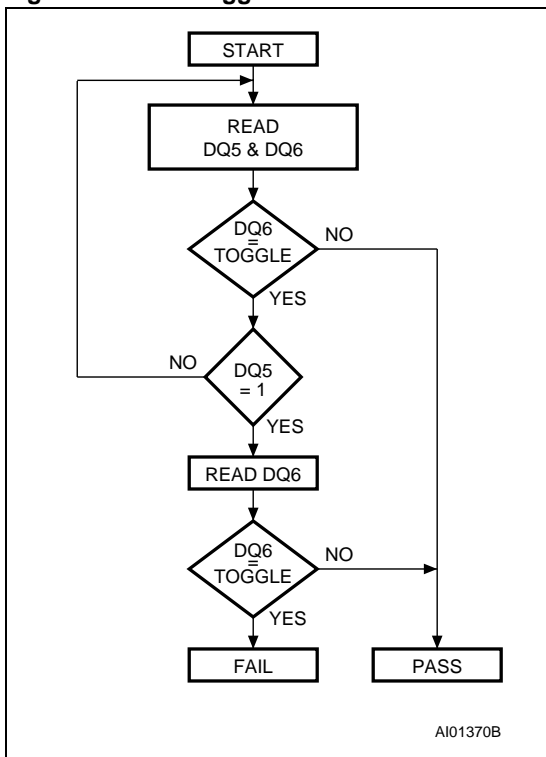
Figure 10. Data Polling Flowchart



Data Toggle. Checking the Toggle Flag (DQ6) bit is a method of determining whether a Program or Erase cycle is in progress or has completed. Figure 11 shows the Data Toggle algorithm.

When the DSP issues a Program instruction sequence, the embedded algorithm within the device begins. The DSP then reads the location of the byte to be programmed in Flash memory to check status. The Toggle Flag (DQ6) bit of this location toggles each time the DSP reads this location until the embedded algorithm is complete. The DSP continues to read this location, checking the Toggle Flag (DQ6) bit and monitoring the Error Flag (DQ5) bit. When the Toggle Flag (DQ6) bit stops toggling (two consecutive reads yield the same value), and the Error Flag (DQ5) bit remains 0, then the embedded algorithm is complete. If the Error Flag (DQ5) bit is 1, the DSP should test the Toggle Flag (DQ6) bit again, since the Toggle Flag (DQ6) bit may have changed simultaneously with the Error Flag (DQ5) bit (see Figure 11).

Figure 11. Data Toggle Flowchart



The Error Flag (DQ5) bit is set if either an internal time-out occurred while the embedded algorithm attempted to program the byte, or if the DSP attempted to program a 1 to a bit that was not erased (not erased is logic 0).

It is suggested (as with all Flash memories) to read the location again after the embedded programming algorithm has completed, to compare the byte that was written to Flash memory with the byte that was intended to be written.

When using the Data Toggle method after an Erase cycle, Figure 11 still applies. the Toggle Flag (DQ6) bit toggles until the Erase cycle is complete. A 1 on the Error Flag (DQ5) bit indicates a time-out condition on the Erase cycle, a 0 indicates no error. The DSP can read any location within the sector being erased to get the Toggle Flag (DQ6) bit and the Error Flag (DQ5) bit.

PSDsoft Express generates ANSI C code functions which implement these Data Toggling algorithms.

Erasing Flash Memory

Flash Bulk Erase. The Flash Bulk Erase instruction sequence uses six write operations followed by a read operation of the status register, as described in Table 5. If any byte of the Bulk Erase instruction sequence is wrong, the Bulk Erase instruction sequence aborts and the device is re-

set to the Read Flash memory status. The Bulk Erase command may be addresses to any one individual valid Flash memory segment (*FS0-FS7*) and the entire array (all segments) will be erased.

During a Bulk Erase, the memory status may be checked by reading the Error Flag (DQ5) bit, the Toggle Flag (DQ6) bit, and the Data Polling Flag (DQ7) bit, as detailed in the section entitled "Programming Flash Memory", on page 21. The Error Flag (DQ5) bit returns a 1 if there has been an Erase Failure (maximum number of Erase cycles have been executed).

It is not necessary to program the memory with 00h because the device automatically does this before erasing to 0FFh.

During execution of the Bulk Erase instruction sequence, the Flash memory does not accept any instruction sequences.

The address provided with the Flash Bulk Erase command sequence (Table 5) may select any one of the eight internal Flash memory Sector Select signals (*FS0 - FS7*). An erase of the entire Flash memory array will occur even though the command was sent to just one Flash memory sector.

Flash Sector Erase. The Sector Erase instruction sequence uses six write operations, as described in Table 5. Additional Flash Sector Erase codes and Flash memory sector addresses can be written subsequently to erase other Flash memory sectors in parallel, without further coded cycles, if the additional bytes are transmitted in a shorter time than the time-out period of about 100 μ s. The input of a new Sector Erase code restarts the time-out period.

The status of the internal timer can be monitored through the level of the Erase Time-out Flag (DQ3) bit. If the Erase Time-out Flag (DQ3) bit is 0, the Sector Erase instruction sequence has been received and the time-out period is counting. If the Erase Time-out Flag (DQ3) bit is 1, the time-out period has expired and the device is busy erasing the Flash memory sector(s). Before and during Erase time-out, any instruction sequence other than Suspend Sector Erase and Resume Sector Erase instruction sequences abort the cycle that is currently in progress, and reset the device to Read Array mode. It is not necessary to program the Flash memory sector with 00h as the device does this automatically before erasing (byte=FFh).

During a Sector Erase, the memory status may be checked by reading the Error Flag (DQ5) bit, the Toggle Flag (DQ6) bit, and the Data Polling Flag (DQ7) bit, as detailed in the section entitled "Programming Flash Memory", on page 21.

During execution of the Erase cycle, the Flash memory accepts only Reset and Suspend Sector Erase instruction sequences. Erasure of one

Flash memory sector may be suspended, in order to read data from another Flash memory sector, and then resumed.

The address provided with the initial Flash Sector Erase command sequence (Table 5) must select the first desired sector (FS0 - FS7) to erase. Subsequent sector erase commands that are appended on within the time-out period must be addressed to other desired segments (FS0 - FS7).

Suspend Sector Erase. When a Sector Erase cycle is in progress, the Suspend Sector Erase instruction sequence can be used to suspend the cycle by writing 0B0h to any address when an appropriate Sector Select (FS0-FS7) is selected (See Table 5). This allows reading of data from another Flash memory sector after the Erase cycle has been suspended. Suspend Sector Erase is accepted only during an Erase cycle and defaults to Read mode. A Suspend Sector Erase instruction sequence executed during an Erase time-out period, in addition to suspending the Erase cycle, terminates the time out period.

The Toggle Flag (DQ6) bit stops toggling when the device internal logic is suspended. The status of this bit must be monitored at an address within the Flash memory sector being erased. The Toggle Flag (DQ6) bit stops toggling between 0.1 μs and 15 μs after the Suspend Sector Erase instruction sequence has been executed. The device is then automatically set to Read mode.

If an Suspend Sector Erase instruction sequence was executed, the following rules apply:

- Attempting to read from a Flash memory sector that was being erased outputs invalid data.
- Reading from a Flash memory sector that was *not* being erased is valid.

- The Flash memory *cannot* be programmed, and only responds to Resume Sector Erase and Reset Flash instruction sequences (Read is an operation and is allowed).
- If a Reset Flash instruction sequence is received, data in the Flash memory sector that was being erased is invalid.

Resume Sector Erase. If a Suspend Sector Erase instruction sequence was previously executed, the erase cycle may be resumed with this instruction sequence. The Resume Sector Erase instruction sequence consists of writing 030h to any address while an appropriate Sector Select (FS0-FS7) is active. (See Table 5.)

Flash Memory Sector Protect.

Each Flash memory sector can be separately protected against Program and Erase cycles. Sector Protection provides additional data security because it disables all Program or Erase cycles. This mode can be activated through the JTAG Port or a Device Programmer. Sector protection can be selected for each sector using PSDsoft Express.

This automatically protects selected sectors when the device is programmed through the JTAG Port or a Device Programmer. Flash memory sectors can be unprotected to allow updating of their contents using the JTAG Port or a Device Programmer. The DSP can read (but cannot change) the sector protection bits.

Any attempt to program or erase a protected Flash memory sector is ignored by the device. The Verify operation results in a read of the protected data. This allows a guarantee of the retention of the Protection status.

The sector protection status can be read by the DSP through the Flash memory protection registers (in the *csiop* block) as defined in Table 7.

Table 7. Sector Protection/Security Bit Definition – Flash Protection Register

| Bit 7 | Bit 6 | Bit 5 | Bit 4 | Bit 3 | Bit 2 | Bit 1 | Bit 0 |
|-----------|-----------|-----------|-----------|-----------|-----------|-----------|-----------|
| Sec7_Prot | Sec6_Prot | Sec5_Prot | Sec4_Prot | Sec3_Prot | Sec2_Prot | Sec1_Prot | Sec0_Prot |

Note: 1. Bit Definitions:
 Sec<i>i</i>_Prot 1 = Flash memory sector <i>i</i> is write protected.
 Sec<i>i</i>_Prot 0 = Flash memory sector <i>i</i> is not write protected.

Table 8. Security Bit Definition

| Bit 7 | Bit 6 | Bit 5 | Bit 4 | Bit 3 | Bit 2 | Bit 1 | Bit 0 |
|--------------|----------|----------|----------|----------|----------|----------|----------|
| Security_Bit | not used | not used | not used | not used | not used | not used | not used |

Note: 1. Bit Definitions:
 1 = Security Bit in device has been set.



DSM Security Bit

A programmable security bit in the DSM protects its contents from unauthorized viewing and copying. When set, the security bit will block access of programming devices (JTAG or others) to the DSM Flash memory and PLD configuration. The only way to defeat the security bit is to erase the entire DSM device, after which the device is blank and may be used again. The DSP will always have access to Flash memory contents through the 8-bit data port even while the security bit is set. The DSP can read the status of the security bit (but it cannot change it) by reading the Device Security register in the *csiop* block as defined in Table 8.

Reset Flash

The Reset Flash instruction sequence resets the internal memory logic state machine and puts Flash memory into Read Array mode. It consists of one write cycle (see Table 5). It must be executed after:

- Reading the Flash Protection Status or Flash ID
- An Error condition has occurred (and the device has set the Error Flag (DQ5) bit to 1) during a Flash memory Program or Erase cycle.

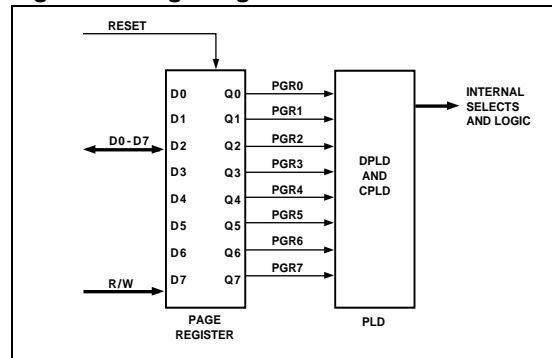
The Reset Flash instruction sequence puts the Flash memory back into normal Read Array mode. It may take the Flash memory up to a few milliseconds to complete the Reset cycle. The Reset Flash instruction sequence is ignored when it is issued during a Program or Bulk Erase cycle of the Flash memory. The Reset Flash instruction sequence aborts any on-going Sector Erase cycle, and returns the Flash memory to the normal Read Array mode within a few milliseconds.

Page Register

The 8-bit Page Register increases the addressing capability of the DSP by a factor of up to 256. The contents of the register can also be read by the DSP. The outputs of the Page Register (PG0-PG7) are inputs to the DPLD decoder and can be included in the Sector Select (*FS0-FS7*) equations. See Figure 12.

If memory paging is not needed, or if not all 8 page register bits are needed for memory paging, then these bits may be used in the CPLD for general logic. The eight flip-flops in the register are connected to the internal data bus D0-D7. The DSP can write to or read from the Page Register. The Page Register can be accessed at address location *csiop* + E0h. Page Register outputs are cleared to logic 0 at reset.

Figure 12. Page Register



PLDs

The PLDs bring programmable logic to the device. After specifying the logic for the PLDs using PSD-soft Express, the logic is programmed into the device and available upon Power-up.

The PLDs have selectable levels of performance and power consumption.

The device contains two PLDs: the Decode PLD (DPLD), and the Complex PLD (CPLD), as shown in Figure 13.

Table 9. DPLD and CPLD Inputs

| Input Source | Input Name | Number of Signals |
|----------------------------------|--------------------------|-------------------|
| DSP Address Bus ¹ | A15-A0 | 16 |
| DSP Control Signals ² | CNTL2-CNTL0 | 3 |
| Reset | \overline{RST} | 1 |
| PortB Input Macrocells | PB7-PB0 | 8 |
| PortC Input Macrocells | PC7-PC0 | 8 |
| Port D Inputs | PD2-PD0 | 3 |
| Page Register | PG7-PG0 | 8 |
| Macrocell AB Feedback | MCELLAB FB7-0 | 8 |
| Macrocell BC Feedback | MCELLBC FB7-0 | 8 |
| Flash memory Program Status Bit | Ready/ \overline{Busy} | 1 |

Note: 1. DSP address lines A16, A17, and others may enter the DSM device on any pin on ports B, C, or D. See Figure 6 for recommended connections.

2. Additional DSP control signals may enter the DSM device on any pin on Ports B, C, or D. See Figure 6 for recommended connections.

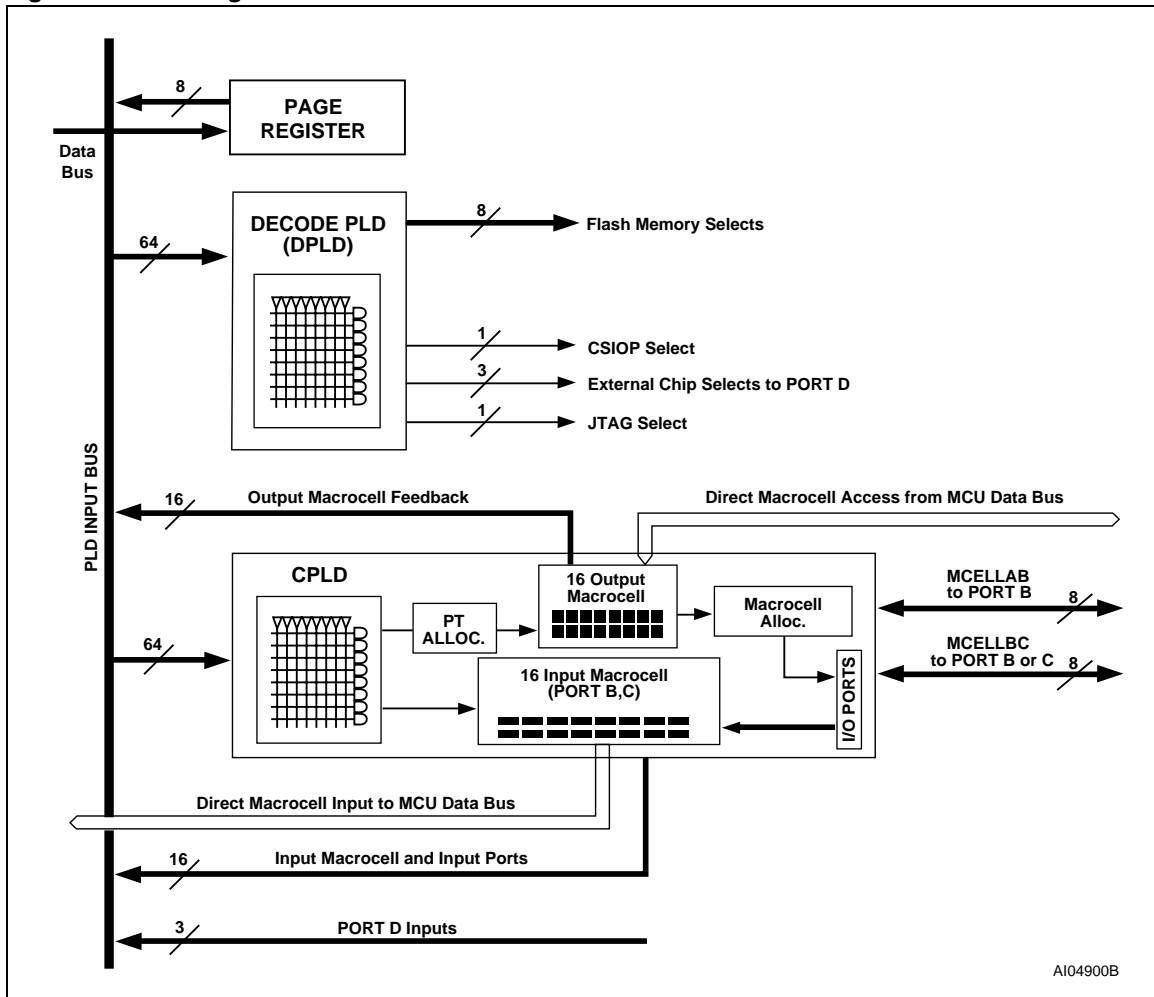
The DPLD performs address decoding, and generates select signals for internal and external components, such as memory, registers, and I/O ports. The DPLD can generate External Chip Select (ECS0-ECS2) signals on Port D.

The CPLD can be used for logic functions, such as loadable counters and shift registers, state machines, and encoding and decoding logic. These logic functions can be constructed using the 16 Output Macrocells (OMC), 16 Input Macrocells (IMC), and the AND Array.

The AND Array is used to form product terms. These product terms are configured from the logic definition entered in PSDsoft Express. An Input Bus consisting of 64 signals is connected to the PLDs. Input signals are shown in Table 9.

Turbo Bit. The PLDs in the device can minimize power consumption by switching off when inputs remain unchanged for an extended time of about 70 ns. Resetting the Turbo bit to 0 (Bit 3 of the PMMR0 register) automatically places the PLDs into standby if no inputs are changing. Turning the Turbo mode off increases propagation delays while reducing power consumption. Additionally, five bits are available in the PMMR registers in *csiop* to block DSP control signals from entering the PLDs. This reduces power consumption and can be used only when these DSP control signals are not used in PLD logic equations. Each of the two PLDs has unique characteristics suited for its applications. They are described in the following sections.

Figure 13. PLD Diagram

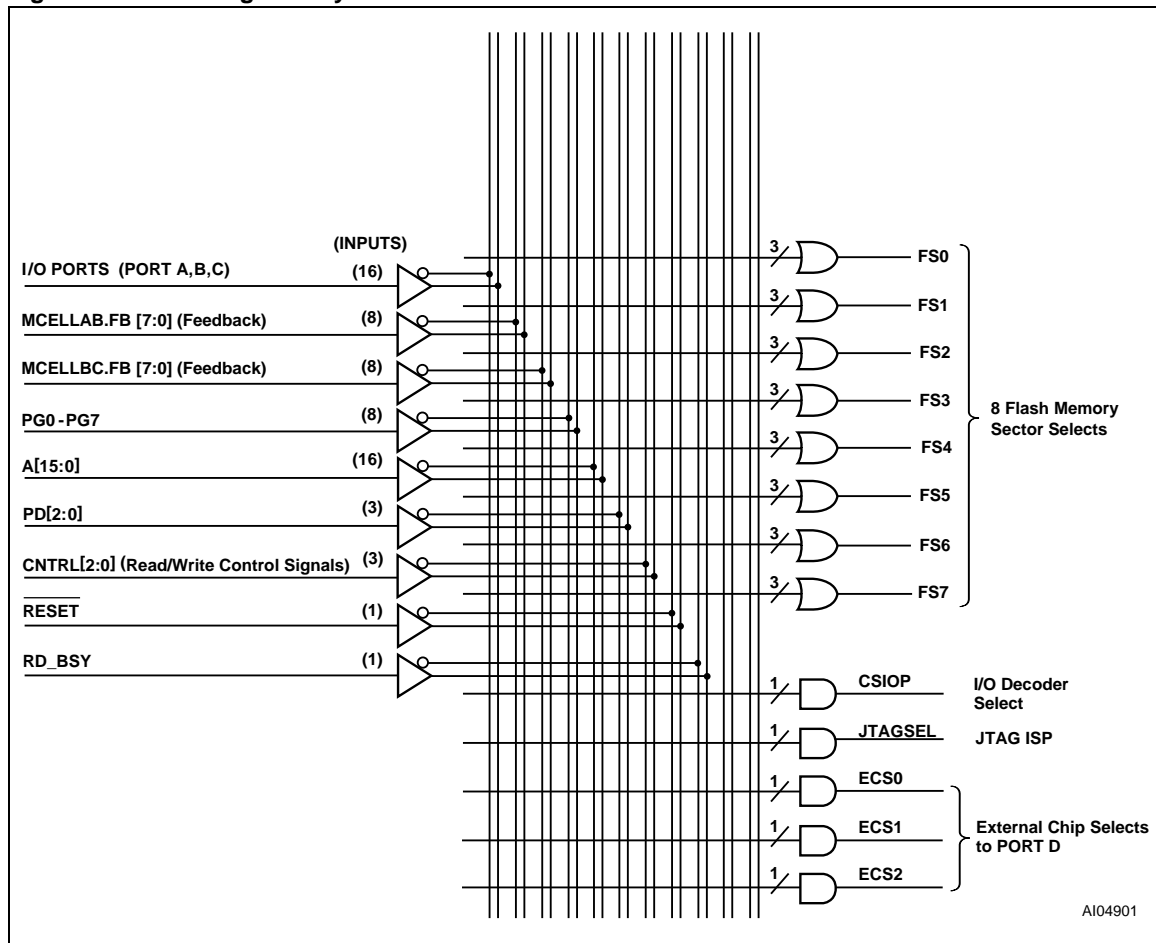


DECODE PLD (DPLD)

The DPLD, shown in Figure 14, is used for decoding the address for internal and external components. The DPLD can be used to generate the following decode signals:

- 8 Flash memory Sector Select (*FS0-FS7*) signals with three product terms each
- 1 internal *csiop* select for DSM device control and status registers (*csiop* is the base address of the block of 256 byte locations)
- 1 JTAG Select signal (enables JTAG operations on Port C when multiplexing JTAG signals with general I/O signals)
- 3 external chip select output signals for Port D pins, each with one product term.

Figure 14. DPLD Logic Array



COMPLEX PLD (CPLD)

The CPLD can be used to implement system logic functions, such as loadable counters and shift registers, system mailboxes, handshaking protocols, state machines, and random logic. See application note AN1171 for details on how to specify logic using PSDsoft Express.

As shown in Figure 15, the CPLD has the following blocks:

- 16 Input Macrocells (IMC)
- 16 Output Macrocells (OMC)
- Macrocell Allocator
- Product Term Allocator
- AND Array capable of generating up to 130 product terms

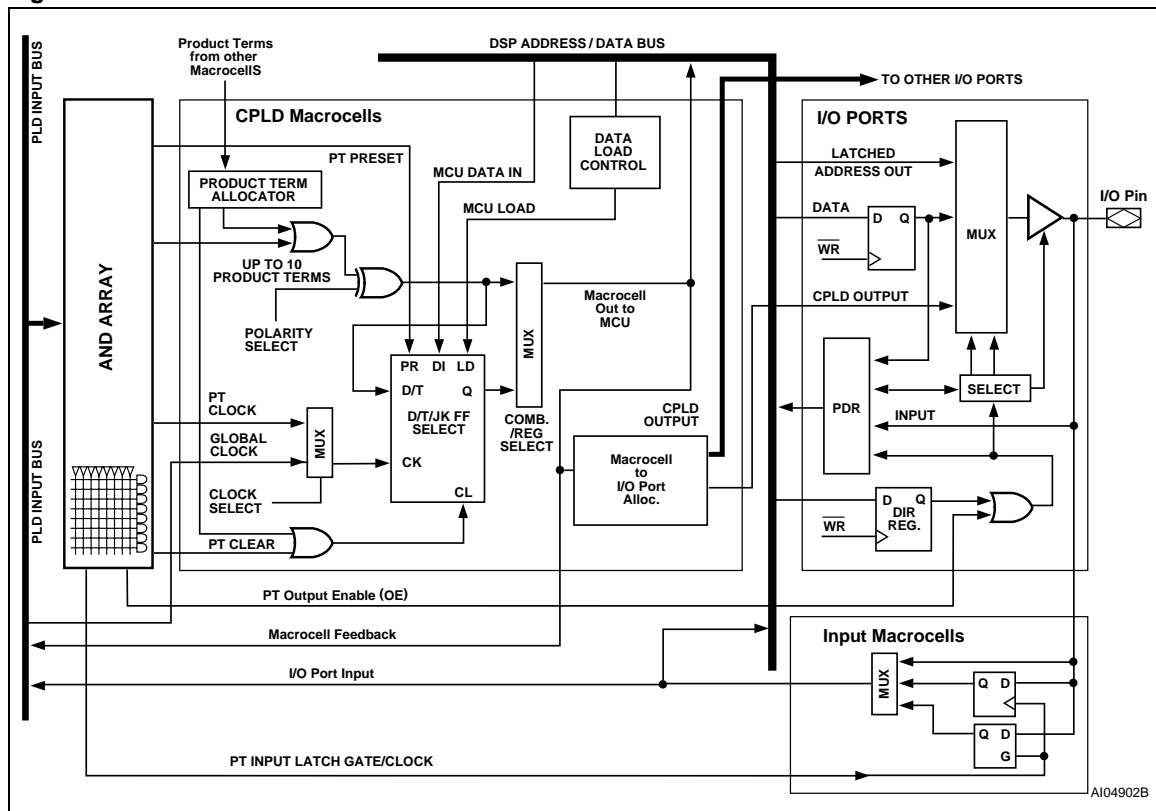
- Two I/O Ports.

Each of the blocks are described in the sections that follow.

The Input Macrocells (IMC) and Output Macrocells (OMC) are connected to the device internal data bus and can be directly accessed by the DSP. This enables the DSP software to load data into the Output Macrocells (OMC) or read data from both the Input and Output Macrocells (IMC and OMC).

This feature allows efficient implementation of system logic and eliminates the need to connect the data bus to the AND Array as required in most standard PLD macro cell architectures.

Figure 15. Macrocell and I/O Port



Output Macrocell (OMC). Eight of the Output Macrocells (OMC) are connected to Port B pins and are named as McellAB0-McellAB7. The other eight Macrocells are connected to Ports B or C pins and are named as McellBC0-McellBC7. OMCs may be used for internal feedback only (buried registers), or their outputs may be routed to external Port pins.

The Output Macrocell (OMC) architecture is shown in Figure 17. As shown in the figure, there are native product terms available from the AND Array, and borrowed product terms available (if unused) from other Output Macrocells (OMC). The polarity of the product term is controlled by the XOR gate. The Output Macrocell (OMC) can implement either sequential logic, using the flip-flop

element, or combinatorial logic. The multiplexer selects between the sequential or combinatorial logic outputs. The multiplexer output can drive a port pin and has a feedback path to the AND Array inputs.

The flip-flop in the Output Macrocell (OMC) block can be configured as a D, T, JK, or SR type in PSDsoft Express™. The flip-flop's clock, preset, and clear inputs may be driven from a product term of the AND Array. Alternatively, CLKIN (PD1) can be used for the clock input to the flip-flop. The flip-flop is clocked on the rising edge of CLKIN (PD1). The preset and clear are active High inputs. Each clear input can use up to two product terms.

Output Macrocell Allocator. Outputs of the 16 OMCs can be routed to a combination of pins on Port B or Port D as shown in Figure 16. The OMC output pin is automatically determined by

choosing pin functions in PSDsoft Express™. Routing can occur on a bit-by-bit basis, spitting assignment between the Ports. However, one OMC can be routed to one Port pin only, not both.

Figure 16. OMC Allocator

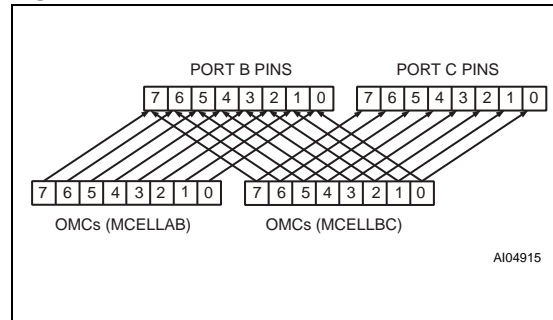


Table 10. Output Macrocell Port and Data Bit Assignments

| Output Macrocell | Port Assignment | Native Product Terms | Maximum Borrowed Product Terms | Data Bit for Loading or Reading |
|------------------|-----------------|----------------------|--------------------------------|---------------------------------|
| McellAB0 | Port B0 | 3 | 6 | D0 |
| McellAB1 | Port B1 | 3 | 6 | D1 |
| McellAB2 | Port B2 | 3 | 6 | D2 |
| McellAB3 | Port B3 | 3 | 6 | D3 |
| McellAB4 | Port B4 | 3 | 6 | D4 |
| McellAB5 | Port B5 | 3 | 6 | D5 |
| McellAB6 | Port B6 | 3 | 6 | D6 |
| McellAB7 | Port B7 | 3 | 6 | D7 |
| McellBC0 | Port B0 or C0 | 4 | 5 | D0 |
| McellBC1 | Port B1 or C1 | 4 | 5 | D1 |
| McellBC2 | Port B or, C2 | 4 | 5 | D2 |
| McellBC3 | Port B3 orC3 | 4 | 5 | D3 |
| McellBC4 | Port B4 orC4 | 4 | 6 | D4 |
| McellBC5 | Port B5 or C5 | 4 | 6 | D5 |
| McellBC6 | Port B6 orC6 | 4 | 6 | D6 |
| McellBC7 | Port B7 orC7 | 4 | 6 | D7 |

Product Term Allocator. The CPLD has a Product Term Allocator. PSDsoft Express™ uses the Product Term Allocator to borrow and place product terms from one Macrocell to another. This happens automatically in PSDsoft Express™, but understanding how allocation works will help you if your logic design does not “fit”, in which case you may try selecting a different pin or different OMC where the allocation resources may differ and the

design will then fit. The following list summarizes how product terms are allocated:

- McellAB0-McellAB7 all have three native product terms and may borrow up to six more
- McellBC0-McellBC3 all have four native product terms and may borrow up to five more
- McellBC4-McellBC7 all have four native product terms and may borrow up to six more.

Each Macrocell may only borrow product terms from certain other Macrocells. Product terms already in use by one Macrocell are not available for another Macrocell. Product term allocation does not add any propagation delay to the logic.

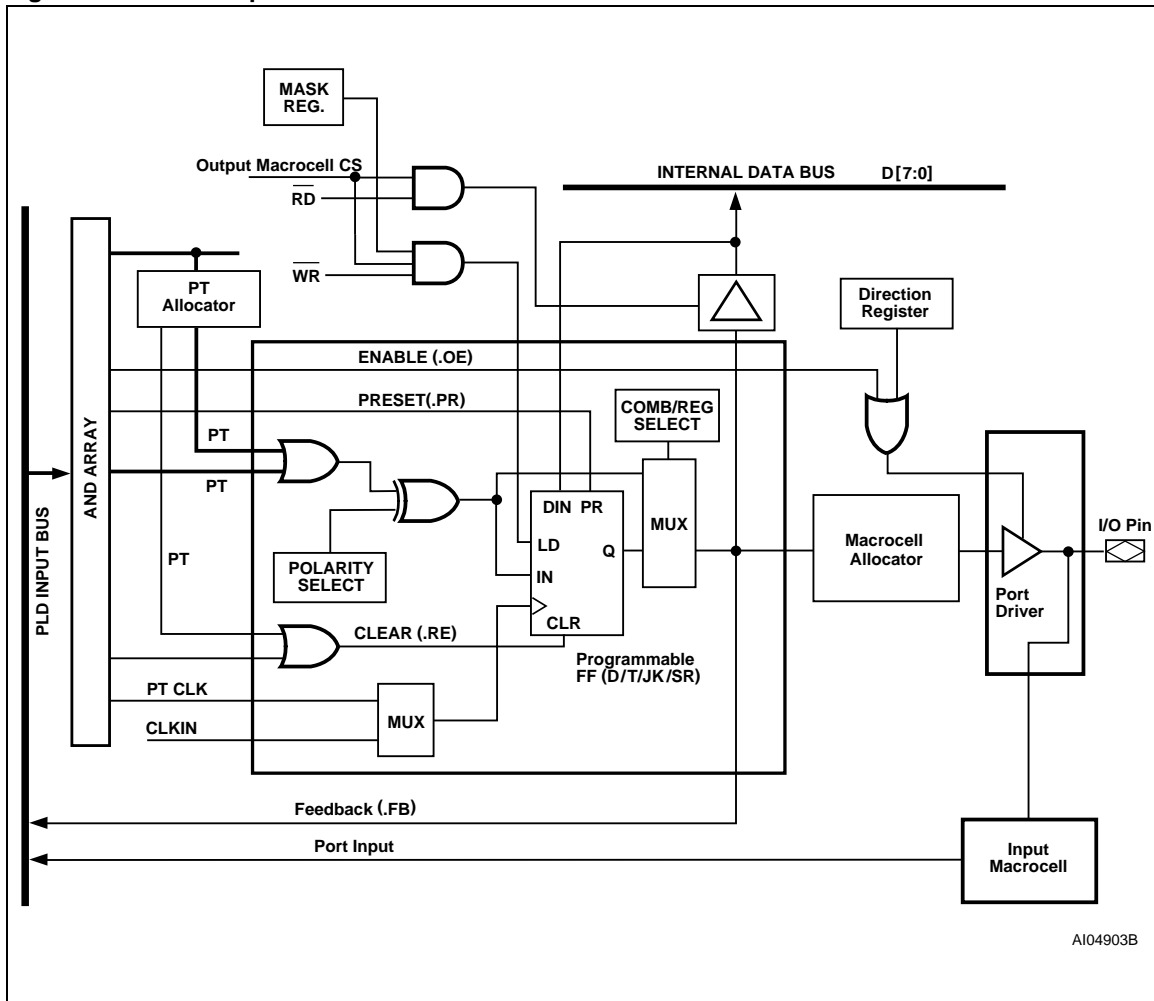
If an equation requires more product terms than are available to it through product term allocation, then “external” product terms are required, which consumes other Output Macrocells (OMC). This is called product term expansion and also happens automatically in PSDsoft Express™ as needed. Product term expansion causes additional propagation delay because an OMC is consumed by the expansion and its output is rerouted (or fed back) into the AND array.

You can examine the fitter report generated by PSDsoft Express to see resulting product term allocation and product term expansion.

Loading and Reading the Output Macrocells (OMCs). Each of the two OMC blocks (8 OMCs each) occupies a memory location in the DSP address space, as defined in the *csiop* block MCELLAB0-7 and MCELLBC0-7 (see Table 4). The flip-flops in each of the 16 OMCs can be loaded from the data bus by a DSP. Loading the OMCs with data from the DSP takes priority over internal functions. As such, the preset, clear, and clock inputs to the flip-flop can be overridden by the DSP. The ability to load the flip-flops and read them back is useful in such applications as loadable counters and shift registers, mailboxes, and hand-shaking protocols.

Data is loaded into the Output Macrocells (OMC) on the trailing edge of Write Strobe (\overline{WR} , CNTL0).

Figure 17. CPLD Output Macrocell

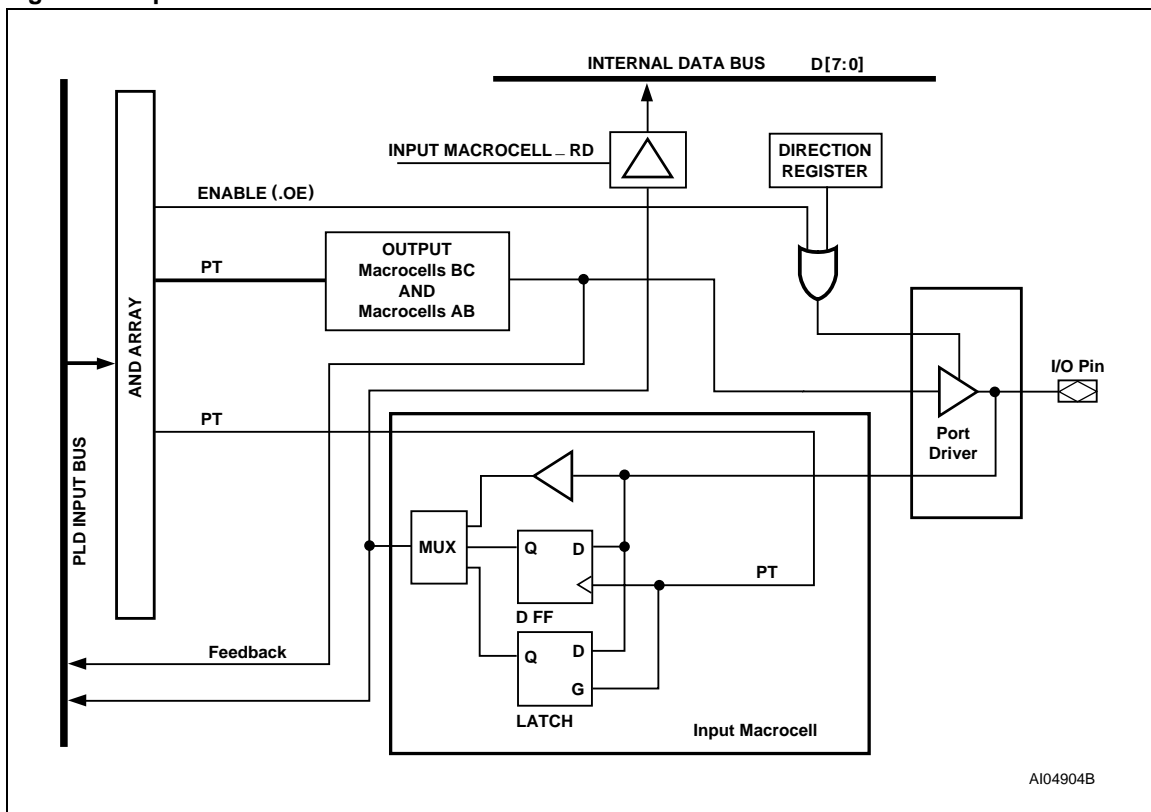


The OMC Mask Register. There is one Mask Register for each of the two groups of eight Output Macrocells (OMC). The Mask Registers can be used to block the loading of data to individual Output Macrocells (OMC). The default value for the Mask Registers is 00h, which allows loading of the Output Macrocells (OMC). When a given bit in a Mask Register is set to a 1, the DSP is blocked from writing to the associated Output Macrocells (OMC). For example, suppose McellAB0-3 are being used for a state machine. You would not want a DSP write to McellAB to overwrite the state machine registers. Therefore, you would want to load the Mask Register for McellAB (Mask Macrocell AB) with the value 0Fh.

The Output Enable of the OMC. The Output Macrocells (OMC) block can be connected to an I/O port pin as a PLD output. The output enable of each port pin driver is controlled by a single product term from the AND Array, ORed with the Direction Register output. The pin is enabled upon Power-up if no output enable equation is defined and if the pin is declared as a PLD output in PSDsoft Express.

If the Output Macrocell (OMC) output is specified as an internal node and not as a port pin output in the PSDsoft Express, then the port pin can be used for other I/O functions. The internal node feedback can be routed as an input to the AND Array.

Figure 18. Input Macrocell



Input Macrocells (IMC). The CPLD has 16 Input Macrocells (IMC), one for each pin on Ports B and C. The architecture of the IMCs is shown in Figure 18. The IMCs are individually configurable, and can be used as a latch, a register, or to pass incoming Port signals prior to driving them onto the PLD input bus. This is useful for sampling and debouncing inputs to the AND array (keypad inputs, etc.). Additionally, the outputs of the IMCs can be read by the DSP asynchronously at any time

through the internal data bus using the csioip register block (see Table 4).

The enable for the latch and clock for the register are driven by a product term from the CPLD. Each product term output is used to latch or clock four IMCs. Port inputs 3-0 can be controlled by one product term and 7-4 by another.

Configurations for the IMCs are specified by equations specified in PSDsoft Express. See Application note AN1171.

DSP Bus Interface

The “no-glue logic” DSP Bus Interface allows direct connection. DSP address, data, and control signals connect directly to the DSM device. See Figure 6 for typical connections.

DSP address, data and control signals are routed to Flash memory, I/O control (*csiop*), OMCs, and IMCs within the DMS. The DSP address range for each of these components is specified in PSDsoft Express™.

I/O Ports

There are three programmable I/O ports: Ports B, C, and D. Each of the ports is eight bits except Port D, which is 3 bits. Each port pin is individually user configurable, thus allowing multiple functions per port. The ports are configured using PSDsoft Ex-

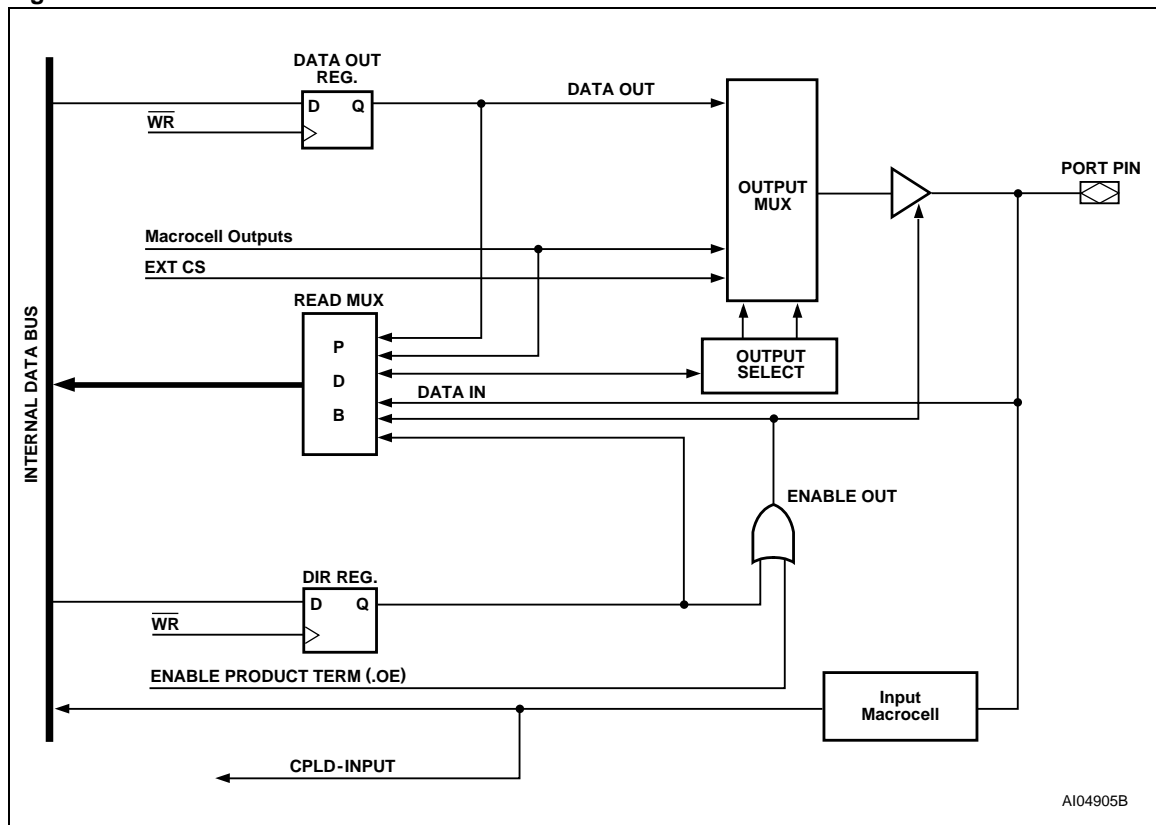
press™ or by the DSP writing to on-chip registers in the *csiop* block.

The topics discussed in this section are:

- General Port architecture
- Port operating modes
- Port Configuration Registers (PCR)
- Port Data Registers
- Individual Port functionality.

General Port Architecture. The general architecture of the I/O Port block is shown in Figure 19. Individual Port architectures are shown in Figure 20 to Figure 23. In general, once the purpose for a port pin has been defined in PSDsoft Express™, that pin is no longer available for other purposes. Exceptions are noted.

Figure 19. General I/O Port Architecture



As shown in Figure 19, the ports contain an output multiplexer whose select signals are driven by the configuration bits determined by PSDsoft Express. Inputs to the multiplexer include the following:

- Output data from the Data Out register (for MCU I/O mode)
- CPLD Macrocell output (OMC)

- External Chip Selects ESC0-2 from the DPLD to Port D pins only.

The Port Data Buffer (PDB) is a tri-state buffer that allows only one source at a time to be read by the DSP. The Port Data Buffer (PDB) is connected to the Internal Data Bus for feedback and can be read by the DSP. The Data Out and Macrocell out-

puts, Direction Registers, and port pin input are all connected to the Port Data Buffer (PDB).

The Port pin's tri-state output driver enable is controlled by a two input OR gate whose inputs come from the CPLD AND Array enable product term and the Direction Register. If the enable product term of any of the Array outputs are not defined and that port pin is not defined as a CPLD output in PSDsoft Express™, then the Direction Register has sole control of the buffer that drives the port pin.

The contents of these registers can be altered by the DSP. The Port Data Buffer (PDB) feedback path allows the DSP to check the contents of the registers.

Ports B, and C have embedded IMCs. The IMCs can be configured as registers (for sampling or de-

bouncing), as transparent latches, or direct inputs to the PLDs. The registers and latches are clocked by a product term from the PLD AND Array. The outputs from the IMCs drive the PLD input bus and can be read by the DSP. See the section entitled "Input Macrocell", on page 31.

Port Operating Modes

The I/O Ports have several modes of operation. Modes are defined using PSDsoft Express™, and then runtime control from the DSP can occur using the registers in the *csiop* block. See Application Note AN1171 for more detail.

Table 11 summarizes which modes are available on each port. Each of the port operating modes are described in the following sections.

Table 11. Port Operating Modes

| Port Mode | Port B | Port C | Port D |
|----------------------------|--------|------------------|--------|
| MCU I/O | Yes | Yes | Yes |
| PLD I/O | | | |
| McellAB Outputs | Yes | No | No |
| McellBC Outputs | Yes | Yes | No |
| Additional Ext. CS Outputs | No | No | Yes |
| PLD Inputs | Yes | Yes | Yes |
| JTAG ISP | No | Yes ¹ | No |

Note: 1. Can be multiplexed with other I/O functions.

MCU I/O Mode. In the MCU I/O mode, the DSP uses the I/O Ports block to expand its own I/O ports. The DSP can read I/O pins, set the direction of I/O pins, and change the state of I/O pins by accessing the registers in the *csiop* block. The *csiop* register definition and their addresses may be found in Table 4.

The MCU I/O direction may be changed by writing to the corresponding bit in the Direction Register, or by the output enable product term. When the pin is configured as an output, the content of the Data Out Register drives the pin. When configured as an input, the DSP can read the port input through the Data In buffer. See Figure 19.

PLD I/O Mode. Inputs from Ports B and C to either PLD (DPLD or CPLD) come through IMCs. Inputs from Port D to either PLDs are routed directly in and do not use IMCs. Outputs from the CPLD to Port B come from the OMC group MCELLAB0-7. Outputs from the CPLD to Port C come from OMC group MCELLBC0-7. Outputs from the DPLD to Port D come from the external chip select logic block ECS0-2.

All PLD outputs may be tri-stated at the Port pins with a control signal. This output enable control signal can be defined by a product term from the

PLD, or by resetting the corresponding bit in the Direction Register to 0. The corresponding bit in the Direction Register must not be set to logic 1 by the DSP if the pin is defined for a PLD input signal in PSDsoft Express. The PLD I/O mode is defined in PSDsoft Express by specifying PLD equations.

JTAG In-System Programming (ISP). Some of the pins on Port C are based on the IEEE 1194.1 JTAG specification and is used for In-System Programming (ISP). You can multiplex the function of these Port C JTAG pins with other functions. ISP is not performed very frequently in the life of the product, so multiplexing these pin's functions with general purpose I/O functions gives more utility from Port C. See the section entitled "Programming In-Circuit Using JTAG ISP", and Application Note AN1153.

Port Configuration Registers (PCR). Each Port has a set of Port Configuration Registers (PCR) used for configuration of the pins. The contents of the registers can be accessed by the DSP through normal read/write bus cycles of the *csiop* registers listed in Table 4.

The pins of a port are individually configurable and each bit in the register controls its respective pin. For example, Bit 0 in a register refers to Bit 0 of its



port. The three Port Configuration Registers (PCR), are shown in Table 12. Default is logic 0.

Table 12. Port Configuration Registers (PCR)

| Register Name | Port | DSP Access |
|---------------------------|-------|------------|
| Data In | B,C,D | Read |
| Data Out | B,C,D | Write/Read |
| Direction | B,C,D | Write/Read |
| Drive Select ¹ | B,C,D | Write/Read |

Note: 1. See Table 16 for Drive Register bit definition.

Data In Register. The DSP may read the Data In registers in the *csiop* block at any time to determine the logic state of a Port pin. This will be the state at the pin regardless of whether it is driven by a source external to the DSM or driven internally from the DSM device. Reading a logic zero for a bit in a Data In register means the corresponding Port pin is also at logic zero. Reading logic one means the pin is logic one. Each bit in a Data In register corresponds to an individual Port pin. For a given Port, bit 0 in a Data In register corresponds to pin 0 of the Port. Example, bit 0 of the Data In register for Port B corresponds to Port B pin PB0.

Data Out Register. The DSP may write (or read) the Data Out register in the *csiop* block at any time. Writing the Data Out register will change the logic state of a Port pin only if it is not driven or controlled by the CPLD. Writing a logic zero to a bit in a Data Out register will force the corresponding Port pin to be logic zero. Writing logic one will drive the pin to logic one. Each bit in the Data Out registers correspond to Port pins the same way as the Data In registers described above. When some pins of a Port are driven by the CPLD, writing to the corresponding bit in a Data Out register will have no effect as the CPLD overrides the Data Out register.

Direction Register. The Direction Register, in conjunction with the output enable (except for Port D), controls the direction of data flow in the I/O Ports. Any bit set to 1 in the Direction Register causes the corresponding pin to be an output, and any bit set to 0 causes it to be an input. The default mode for all port pins is input.

Table 13. Port Pin Direction Control, Output Enable P.T. Not Defined

| Direction Register Bit | Port Pin Mode |
|------------------------|---------------|
| 0 | Input |
| 1 | Output |

Table 14. Port Pin Direction Control, Output Enable P.T. Defined

| Direction Register Bit | Output Enable P.T. | Port Pin Mode |
|------------------------|--------------------|---------------|
| 0 | 0 | Input |
| 0 | 1 | Output |
| 1 | 0 | Output |
| 1 | 1 | Output |

Table 15. Port Direction Assignment Example

| Bit 7 | Bit 6 | Bit 5 | Bit 4 | Bit 3 | Bit 2 | Bit 1 | Bit 0 |
|-------|-------|-------|-------|-------|-------|-------|-------|
| 0 | 0 | 0 | 0 | 0 | 1 | 1 | 1 |

Figure 20 and Figure 21 show the Port Architecture diagrams for Ports B and C, respectively. The direction of data flow for Ports B, and C are controlled not only by the direction register, but also by the output enable product term from the PLD AND Array. If the output enable product term is not active, the Direction Register has sole control of a given pin's direction.

An example of a configuration for a Port with the three least significant bits set to output and the remainder set to input is shown in Table 15. Since Port D only contains three pins (shown in Figure 23), the Direction Register for Port D has only the three least significant bits active.

Drive Select Register. The Drive Select Register configures the pin driver as Open Drain or CMOS (standard push/pull) for some port pins, and controls the slew rate for the other port pins. An external pull-up resistor should be used for pins configured as Open Drain. Open Drain outputs are diode clamped, thus the maximum voltage on a pin configured as Open Drain is $V_{cc} + 0.7V$.

A pin can be configured as Open Drain if its corresponding bit in the Drive Select Register is set to a 1. The default pin drive is CMOS.

Note that the slew rate is a measurement of the rise and fall times of an output. A higher slew rate means a faster output response and may create more electrical noise. A pin operates in a high slew rate when the corresponding bit in the Drive Register is set to 1. The default rate is standard slew.

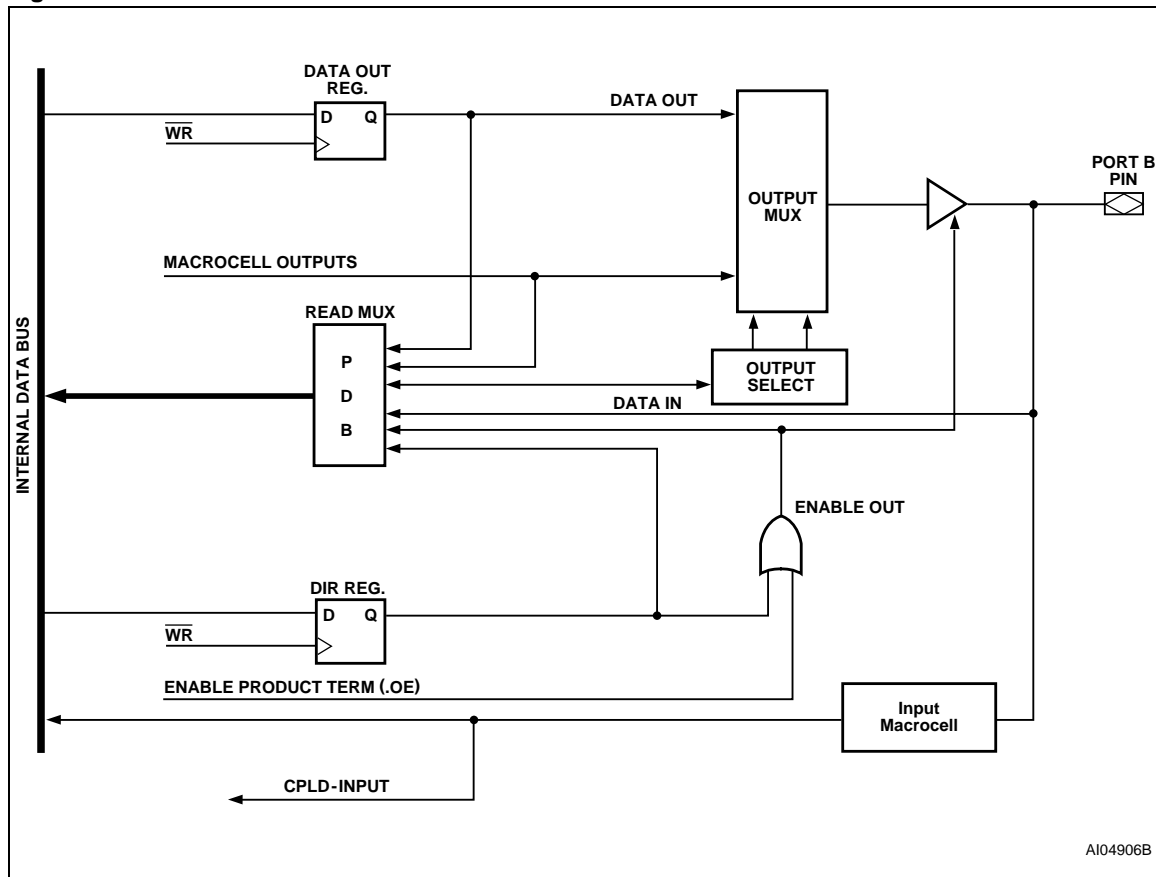
Table 16 shows the Drive Register for Ports B, C, and D. It summarizes which pins can be configured as Open Drain outputs and which pins the slew rate can be set for.

Table 16. Drive Register Pin Assignment

| Drive Register | Bit 7 | Bit 6 | Bit 5 | Bit 4 | Bit 3 | Bit 2 | Bit 1 | Bit 0 |
|----------------|-----------------|-----------------|-----------------|-----------------|-----------------|------------|------------|------------|
| Port B | Open Drain | Open Drain | Open Drain | Open Drain | Slew Rate | Slew Rate | Slew Rate | Slew Rate |
| Port C | Open Drain | Open Drain | Open Drain | Open Drain | Open Drain | Open Drain | Open Drain | Open Drain |
| Port D | NA ¹ | NA ¹ | NA ¹ | NA ¹ | NA ¹ | Slew Rate | Slew Rate | Slew Rate |

Note: 1. NA = Not Applicable.

Figure 20. Port B Structure

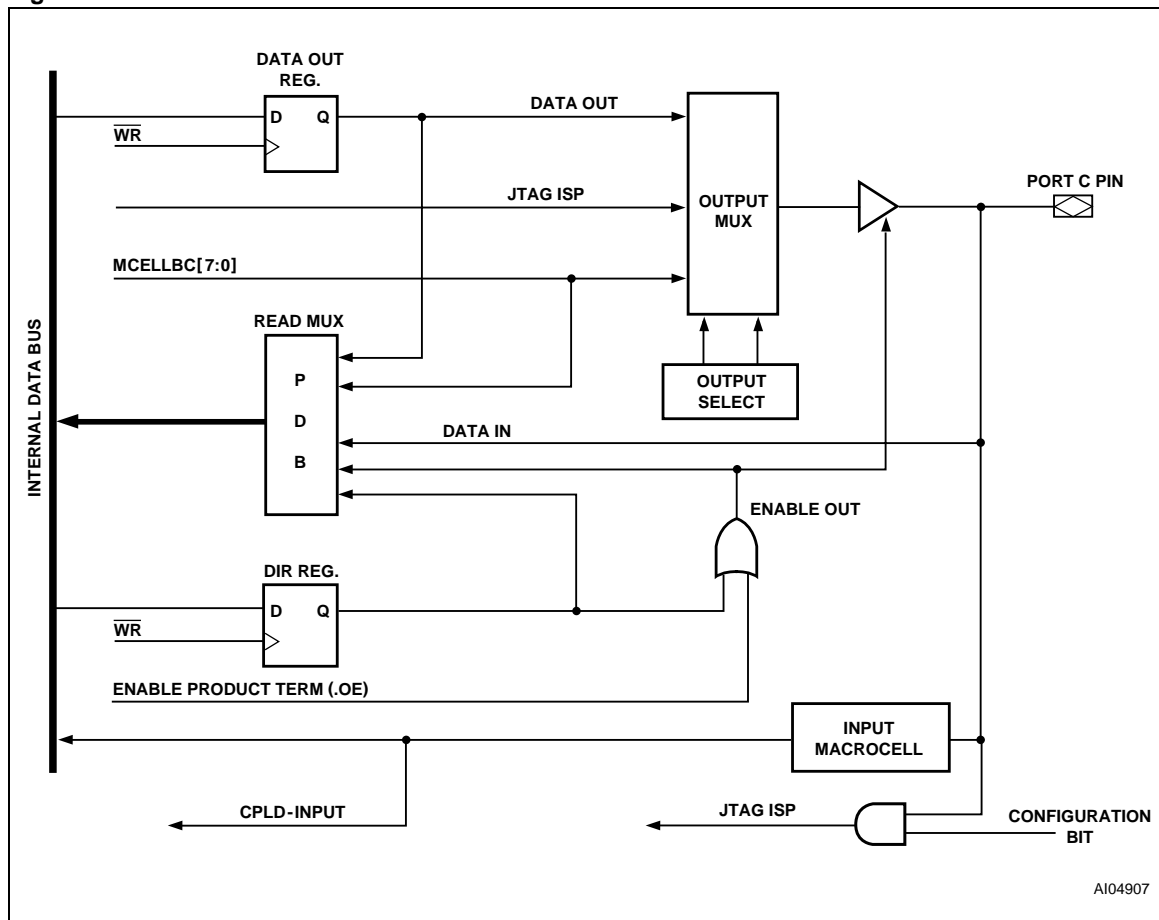


Port B – Functionality and Structure

Port B can be configured to perform one or more of the following functions:

- MCU I/O Mode
- CPLD Output – Macrocells McellAB7-McellAB0 can be connected to Port B. McellBC7-McellBC0 can be connected to Port B or Port C.
- CPLD Input – Via the Input Macrocells (IMC).
- Open Drain/Slew Rate – pins PB3-PB0 can be configured to fast slew rate, pins PB7-PB4 can be configured to Open Drain Mode.

Figure 21. Port C Structure

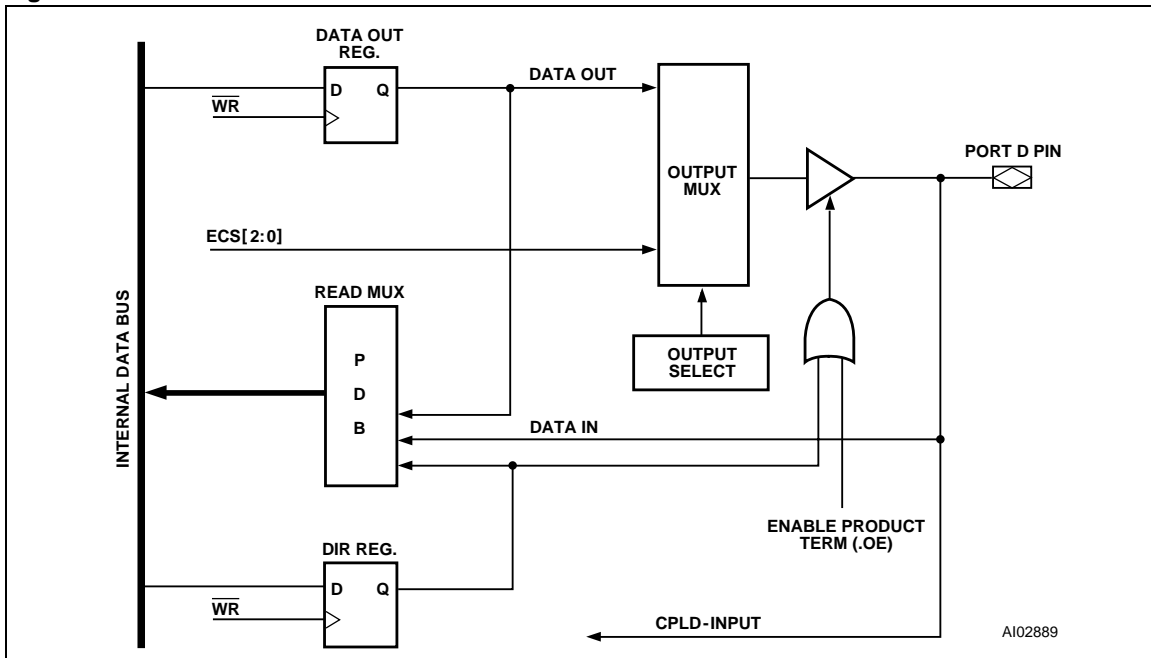


Port C – Functionality and Structure

Port C can be configured to perform one or more of the following functions (see Figure 21):

- MCU I/O Mode
- CPLD Output – McellBC7-McellBC0 outputs can be connected to Port B or Port C.
- CPLD Input – via the Input Macrocells (IMC)
- In-System Programming (ISP) – JTAG port can be enabled for programming/erase of the device. (See the section entitled “Programming In-Circuit Using JTAG ISP”, and Application Note *AN1153*, for more information on JTAG programming.)
- Open Drain – Port C pins can be configured in Open Drain Mode

Figure 22. Port D Structure



Port D – Functionality and Structure

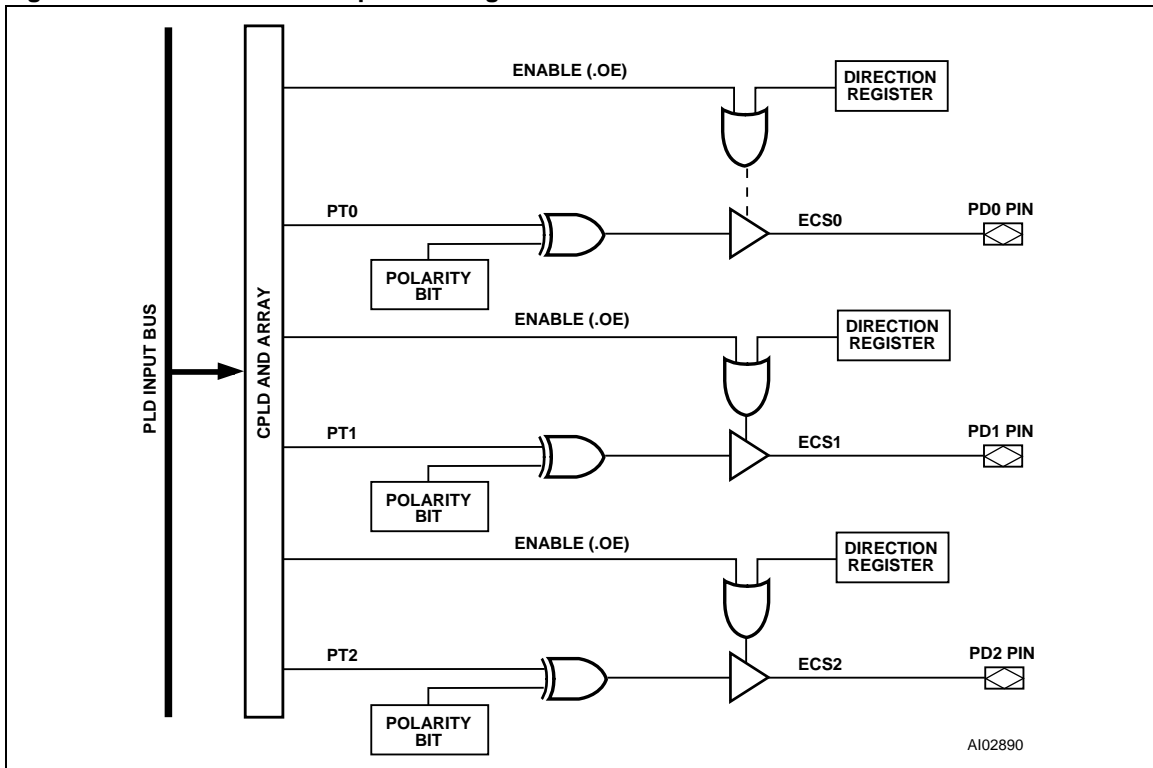
Port D has three I/O pins. See Figure 22 and Figure 23. Port D can be configured to perform one or more of the following functions:

- MCU I/O Mode
- DPLD Output – External Chip Selects, ECS0-2 does not consume OMCs
- CPLD Input – direct input to the CPLD, does not use IMCs
- Slew rate – pins can be set up for fast slew rate
Port D pins can be configured in PSDsoft as input pins for other dedicated functions:
- CLKIN (PD1) as input to the OMCs Flip-flops

- PSD Chip Select Input ($\overline{\text{CSI}}$, PD2). Driving this signal logic High disables the Flash memory, putting it in standby mode.

External Chip Select. The DPLD also provides three External Chip Select outputs (ESC0-2) on Port D pins that can be used to select external devices as defined in PSDsoft Express. Each External Chip Select consists of one product term that can be configured active High or Low. The output enable of the pin is controlled by either the output enable product term or the Direction Register. (See Figure 23.) External Chip Selects for Port D pins do not consume OMCs. External chip select outputs can also come from the CPLD if chip select equations are specified in PSDsoft Express for Ports B or C.

Figure 23. Port D External Chip Select Signals



POWER MANAGEMENT

The device offers configurable power saving options. These options may be used individually or in combinations, as follows:

- All memory blocks in the device are built with zero-power management technology. Zero-power technology puts the memories into standby mode when address/data inputs are not changing (zero DC current). As soon as a transition occurs on an input, the affected memory “wakes up”, changes and latches its outputs, then goes back to standby. The designer does *not* have to do anything special to achieve memory standby mode when no inputs are changing—it happens automatically.

Both PLDs (DPLD and CPLD) are also Zero-power, but this is not the default operation. The DSP must set a bit at run-time to achieve Zero-power as described next.

- The PMMR registers can be written by the DSP at run-time to manage power. The device has a Turbo bit in the PMMR0 register. This bit can be set to turn the Turbo mode off (the default is with Turbo mode turned on). While Turbo mode is off, the PLDs can achieve standby current when no PLD inputs are changing (zero DC current). Even when inputs do change, significant power can be saved at lower frequencies (AC current),

compared to when Turbo mode is on. When the Turbo mode is on, there is a significant DC current component and the AC component is higher.

Further significant power savings can be achieved by blocking signals that are not used in DPLD or CPLD logic equations. The “blocking bits” in PMMR registers can be set to logic 1 by the DSP to block designated signals from reaching both PLDs. Current consumption of the PLDs is directly related to the composite frequency of the changes on their inputs (see Figure 25), so blocking unused PLD inputs can significantly lower PLD operating frequency and power consumption. The DSP also has the option of blocking certain PLD input when not needed, then letting them pass for when needed for specific logic operations. Table 17 and Table 18 define the PMMR registers.

- PSD Chip Select Input ($\overline{CS1}$, PD2) can be used to disable the internal memories and *csiop* registers, placing them in standby mode even if inputs are changing. This feature does not block any internal signals or disable the PLDs. There is a slight penalty in memory access time when PSD Chip Select Input ($\overline{CS1}$, PD2) makes its initial transition from deselected to selected.

Table 17. Power Management Mode Registers PMMR0¹

| | | | |
|-------|---------------|---------|--|
| Bit 0 | X | 0 | Not used, and should be set to zero. |
| Bit 1 | X | 0 | Not used, and should be set to zero. |
| Bit 2 | X | 0 | Not used, and should be set to zero. |
| Bit 3 | PLD Turbo | 0 = on | PLD Turbo mode is on |
| | | 1 = off | PLD Turbo mode is off, saving power. |
| Bit 4 | PLD Array clk | 0 = on | CLKIN (PD1) input to the PLD AND Array is passed onto PLDs. Every change of CLKIN (PD1) Powers-up the PLD when Turbo bit is 0. |
| | | 1 = off | CLKIN (PD1) input to PLD AND Array is blocked, saving power. |
| Bit 5 | PLD MCell clk | 0 = on | CLKIN (PD1) input to the PLD Macrocells is passed onto PLDs. |
| | | 1 = off | CLKIN (PD1) input to PLD Macrocells is blocked, saving power. |
| Bit 6 | X | 0 | Not used, and should be set to zero. |
| Bit 7 | X | 0 | Not used, and should be set to zero. |

Note: 1. The bits of this register are cleared to zero following Power-up. Subsequent Reset (\overline{Reset}) pulses do not clear the registers.

PLD Power Management

The power and speed of the PLDs are controlled by the Turbo bit (bit 3) in the PMMR0. By setting the bit to 1, the Turbo mode is off and the PLDs consume the specified stand-by current when the inputs are not switching for an extended time of 100 ns. The propagation delay time is increased by 10 ns after the Turbo bit is set to 1 (turned off) when the inputs change at a composite frequency

of less than 10 MHz. When the Turbo bit is reset to 0 (turned on), the PLDs run at full power and speed. The Turbo bit affects the PLD's DC power, AC power, and propagation delay.

Blocking MCU control signals with the bits of the PMMR registers can further reduce PLD AC power consumption by lowering the effective composite frequency of inputs to the PLDs.

Table 18. Power Management Mode Registers PMMR2¹

| | | | |
|-------|-----------------|---------|--|
| Bit 0 | X | 0 | Not used, and should be set to zero. |
| Bit 1 | X | 0 | Not used, and should be set to zero. |
| Bit 2 | PLD Array CNTL0 | 0 = on | Cntl0 input to the PLD AND Array is passed onto PLDs. |
| | | 1 = off | Cntl0 input to PLD AND Array is blocked, saving power. |
| Bit 3 | PLD Array CNTL1 | 0 = on | Cntl1 input to the PLD AND Array is passed onto PLDs. |
| | | 1 = off | Cntl1 input to PLD AND Array is blocked, saving power. |
| Bit 4 | PLD Array CNTL2 | 0 = on | Cntl2 input to the PLD AND Array is passed onto PLDs. |
| | | 1 = off | Cntl2 input to PLD AND Array is blocked, saving power. |
| Bit 5 | PLD Array PD0 | 0 = on | PD0 input to the PLD AND Array is passed onto PLDs. |
| | | 1 = off | PD0 input to PLD AND Array is blocked, saving power. |
| Bit 6 | PLD Array PC7 | 0 = on | PC7 input to the PLD AND Array is passed onto PLDs. |
| | | 1 = off | PC7 input to PLD AND Array is blocked, saving power. |
| Bit 7 | X | 0 | Not used, and should be set to zero. |

Note: 1. The bits of this register are cleared to zero following Power-up. Subsequent Reset ($\overline{\text{Reset}}$) pulses do not clear the registers.

PSD Chip Select Input ($\overline{\text{CS}}$, PD2)

PD2 of Port D can be configured in PSDsoft Express as PSD Chip Select Input ($\overline{\text{CS}}$). When Low, the signal selects and enables the internal Flash memory and I/O blocks for Read or Write operations involving the device. A High on PSD Chip Select Input ($\overline{\text{CS}}$, PD2) disables the Flash memory and reduces the device power consumption. However, the PLD and I/O signals remain operational when PSD Chip Select Input ($\overline{\text{CS}}$, PD2) is High.

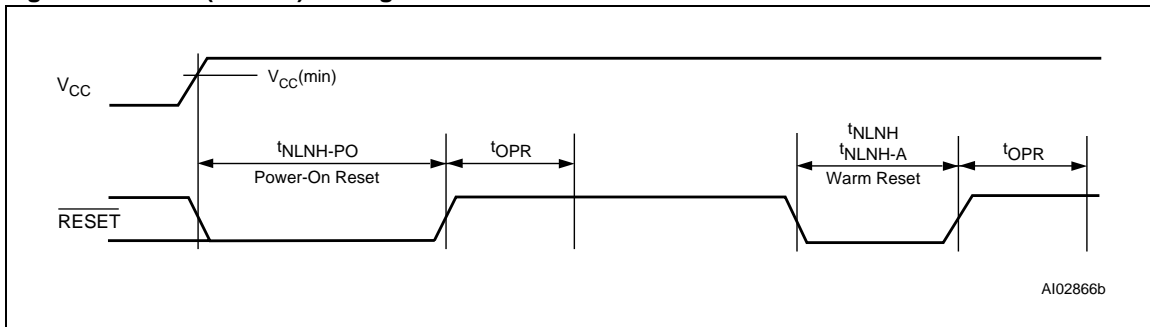
There may be a timing penalty when using PSD Chip Select Input ($\overline{\text{CS}}$, PD2) depending on the speed grade of the device that you are using. See the timing parameter t_{SLQV} in Table 31.

Input Clock. The device provides the option to block CLKIN (PD1) from reaching the PLDs to save AC power consumption. CLKIN (PD1) is an input to the PLD AND Array and the OMCs.

If CLKIN (PD1) is not being used as part of the PLD logic equation, the clock should be blocked to save AC power. CLKIN (PD1) is disconnected

from the PLD AND Array or the Macrocells block by setting bits 4 or 5 to a 1 in PMMR0.

Input Control Signals. The device provides the option to block the input control signals (CNTL0, CNTL1, CNTL2, PD0, and PC7) from reaching the PLDs to save AC power consumption. These control signals are inputs to the PLD AND Array. If any of these are not being used as part of the PLD logic equation, these control signals should be disabled to save AC power. They are disconnected from the PLD AND Array by setting bits 2, 3, 4, 5, and 6 to a 1 in the PMMR2 register. Note: CNTL0 and CNTL1 (DSP $\overline{\text{WR}}$ and DSP $\overline{\text{RD}}$) are permanently routed to the Flash memory array and cannot be blocked from the array by the PMMR registers (that's why WR and RD signals do not have to be specified in PSDsoft Express for Flash memory segment chip-select equations for FS0 - FS7). CNTL0 and CNTL1 are blocked from the PLDs with PMMR registers bits when these signals are specifically used in logic equations specified in PSDsoft Express.

Figure 24. Reset ($\overline{\text{RESET}}$) Timing**Power On Reset, Warm Reset, Power-down**

Power On Reset. Upon Power-up, the device requires a Reset ($\overline{\text{RESET}}$) pulse of duration $t_{\text{NLNH-PO}}$ after V_{CC} is steady. During this time period, the device loads internal configurations, clears some of the registers and sets the Flash memory into Operating mode. After the rising edge of Reset ($\overline{\text{RESET}}$), the device remains in the Reset mode for an additional period, t_{OPR} , before the first memory access is allowed.

The Flash memory is reset to the Read Array mode upon Power-up. Sector Select FS0-FS7 must all be Low, Write Strobe ($\overline{\text{WR}}$, CNTL0) High, during Power On Reset for maximum security of the data contents and to remove the possibility of a byte being written on the first edge of Write Strobe ($\overline{\text{WR}}$, CNTL0). Any Flash memory Write cycle initiation is prevented automatically when V_{CC} is below V_{LKO} .

Table 19. Status During Power-On Reset, Warm Reset and Power-down Mode

| Port Configuration | Power-On Reset | Warm Reset | Power-down Mode |
|--------------------|--|------------|---|
| MCU I/O | Input mode | Input mode | Unchanged |
| PLD Output | Valid after internal PSD configuration bits are loaded | Valid | Depends on inputs to PLD (addresses are blocked in PD mode) |

| Register | Power-On Reset | Warm Reset | Power-down Mode |
|----------------------|---|----------------------------------|----------------------------------|
| PMMR0 and PMMR2 | Cleared to 0 | Unchanged | Unchanged |
| OMC Flip-flop status | Cleared to 0 by internal Power-On Reset | Depends on .re and .pr equations | Depends on .re and .pr equations |
| All other registers | Cleared to 0 | Cleared to 0 | Unchanged |

Warm Reset. Once the device is up and running, the device can be reset with a pulse of a much shorter duration, t_{NLNH} . The same t_{OPR} period is needed before the device is operational after warm reset. Figure 24 shows the timing of the Power-up and warm reset.

I/O Pin, Register and PLD Status at Reset. Table 19 shows the I/O pin, register and PLD status during Power On Reset, warm reset and Power-down mode. PLD outputs are always valid during warm reset, and they are valid in Power On Reset once the internal device Configuration bits are loaded. This loading of the device is completed typically long before the V_{CC} ramps up to operating level. Once the PLD is active, the state of the outputs are determined by the PSDsoft Express equations.

Programming In-Circuit using JTAG ISP

In-System Programming (ISP) can be performed through the JTAG signals on Port C. This serial interface allows programming of the entire DSM device or subsections (i.e. only Flash memory but not the PLDs) without and participation of the DSP. A blank DSM device soldered to a circuit board can be completely programmed in 10 to 20 seconds. The basic JTAG signals; TMS, TCK, TDI, and TDO form the IEEE-1149.1 interface. The DSM device does not implement the IEEE-1149.1 Boundary Scan functions. The DSM uses the JTAG interface for ISP only. However, the DSM device can reside in a standard JTAG chain with other JTAG devices as it will remain in BYPASS mode while other devices perform Boundary Scan.

ISP programming time can be reduced as much as 30% by using two more signals on Port C, TSTAT and \overline{TERR} in addition to TMS, TCK, TDI and TDO. See Table 20. The FlashLINK™ JTAG programming cable available from STMicroelectronics for \$59USD and PSDsoft Express software that is available at no charge from www.psdst.com is all that is needed to program a DSM device using the parallel port on any PC or laptop.

By default, the four pins on Port C are enabled for the basic JTAG signals TMS, TCK, TDI, and TDO on a blank device (and as shipped from factory)

See Application Note AN1153 for more details on JTAG In-System Programming (ISP).

Standard JTAG Signals. The standard JTAG signals (TMS, TCK, TDI, and TDO) can be enabled by any of three different conditions that are logically ORed. When enabled, TDI, TDO, TCK, and TMS are inputs, waiting for a JTAG serial command from an external JTAG controller device (such as FlashLINK or Automated Test Equipment). When the enabling command is received, TDO becomes an output and the JTAG channel is fully functional inside the device. The same command that enables the JTAG channel may optionally enable the two additional JTAG signals, TSTAT and \overline{TERR} .

The following symbolic logic equation specifies the conditions enabling the four basic JTAG signals (TMS, TCK, TDI, and TDO) on their respective Port C pins. For purposes of discussion, the logic label JTAG_ON is used. When JTAG_ON is true, the four pins are enabled for JTAG operation. When JTAG_ON is false, the four pins can be used for general device I/O as specified in PSDsoft Express. JTAG_ON can become true by any of three different ways as shown:

JTAG_ON =

1. PSDsoft Express Pin Configuration -OR-
2. PSDsoft Express PLD equation -OR-
3. DSP writes to register in *csiop* block

Method 1 is most common. This is when the JTAG pins are selected in PSDsoft Express to be “dedicated” JTAG pins. They can always transmit and receive JTAG information because they are “full-time” JTAG pins.

Method 2 is used only when the JTAG pins are multiplexed with general I/O functions. For designs that need every I/O pin, the JTAG pins may be used for general I/O when they are not used for ISP. However, when JTAG pins are multiplexed with general I/O functions, the designer must include a way to get the pins back into JTAG mode when it is time for JTAG operations again. In this

case, a single PLD input from Ports B, C, or D must be dedicated to switch the Port C pins from I/O mode back to ISP mode at any time. It is recommended to physically connect this dedicated PLD input pin to the JEN\ output signal from the Flashlink cable when multiplexing JTAG signals. See Application Note AN1153 for details.

Method 3 is rarely used to control JTAG pin operation. The DSP can set the port C pins to function as JTAG ISP by setting the JTAG Enable bit in a register of the *csiop* block, but as soon as the DSM chip is reset, the *csiop* block registers are cleared, which turns off the JTAG-ISP function. Controlling JTAG pins using this method is not recommended.

Table 20. JTAG Port Signals

| Port C Pin | JTAG Signals | Description |
|------------|--------------------|-----------------|
| PC0 | TMS | Mode Select |
| PC1 | TCK | Clock |
| PC3 | \overline{TSTAT} | Status |
| PC4 | \overline{TERR} | Error Flag |
| PC5 | TDI | Serial Data In |
| PC6 | TDO | Serial Data Out |

JTAG Extensions. \overline{TSTAT} and \overline{TERR} are two JTAG extension signals (must be used as a pair) enabled by a command received over the four standard JTAG signals (TMS, TCK, TDI, and TDO) by PSDsoft Express. They are used to speed Program and Erase cycles by indicating status on device pins instead of having to scan the status out serially using the standard JTAG channel. See Application Note AN1153.

\overline{TERR} indicates if an error has occurred when erasing a sector or programming a byte in Flash memory. This signal goes Low (active) when an Error condition occurs.

\overline{TSTAT} behaves the same as Ready/Busy described previously. \overline{TSTAT} is inactive logic 1 when the device is in Read mode (Flash memory contents can be read). \overline{TSTAT} is logic 0 when Flash memory Program or Erase cycles are in progress.

\overline{TSTAT} and \overline{TERR} can be configured as open-drain type signals with PSDsoft Express. This facilitates a wired-OR connection of \overline{TSTAT} signals from multiple DSM2180F3V devices and a wired-OR connection of \overline{TERR} signals from those same devices. This is useful when several devices are “chained” together in a JTAG environment. PSDsoft Express puts \overline{TSTAT} and \overline{TERR} signals to open-drain by default. Click on 'Properties' in the JTAG-ISP window of PSDsoft Express to change to standard CMOS push-pull. It is recommended

to use 10 k Ω pull-up resistors to V_{CC} on all JTAG-ISP signals on your circuit board.

Initial Delivery State

When delivered from ST, the device has all bits in the memory and PLDs erased to logic 1. The DSM

Configuration Register bits are set to 0. The code, configuration, and PLD logic are loaded using the programming procedure. The four basic JTAG ISP signals (TCK, TMS, TDI, TDO) are ready for ISP function.

AC/DC PARAMETERS

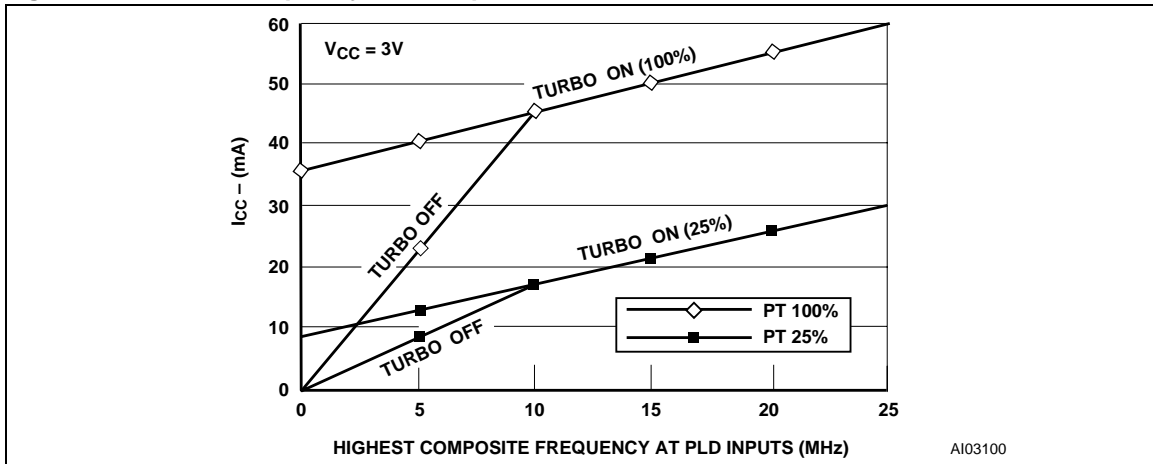
These tables describe the AD and DC parameters of the device:

- DC Electrical Specification
- AC Timing Specification
- PLD Timing
 - Combinatorial Timing
 - Synchronous Clock Mode
 - Asynchronous Clock Mode
 - Input Macrocell Timing
- DSP Timing
 - Read Timing
 - Write Timing
 - Reset Timing

The following are issues concerning the parameters presented:

- In the DC specification the supply current is given for different modes of operation. Before calculating the total power consumption, determine the percentage of time that the device is in each mode. Also, the supply power is considerably different if the Turbo bit is 0.
- The AC power component gives the PLD and Flash memory a mA/MHz specification. Figure 25 show the PLD mA/MHz as a function of the number of Product Terms (PT) used.
- In the PLD timing parameters, add the required delay when Turbo bit is 0.

Figure 25. PLD I_{CC} /Frequency Consumption



MAXIMUM RATING

Stressing the device above the rating listed in the Absolute Maximum Ratings table may cause permanent damage to the device. These are stress ratings only and operation of the device at these or any other conditions above those indicated in the Operating sections of this specification is not im-

plied. Exposure to Absolute Maximum Rating conditions for extended periods may affect device reliability. Refer also to the STMicroelectronics SURE Program and other relevant quality documents.

Table 21. Absolute Maximum Ratings

| Symbol | Parameter | Min. | Max. | Unit |
|-------------------|--|-------|------|------|
| T _{STG} | Storage Temperature | -65 | 125 | °C |
| T _{LEAD} | Lead Temperature during Soldering (20 seconds max.) ¹ | | 235 | °C |
| V _{IO} | Input and Output Voltage (Q = V _{OH} or Hi-Z) | -0.6 | 7.0 | V |
| V _{CC} | Supply Voltage | -0.6 | 7.0 | V |
| V _{PP} | Device Programmer Supply Voltage | -0.6 | 14.0 | V |
| V _{ESD} | Electrostatic Discharge Voltage (Human Body model) ² | -2000 | 2000 | V |

Note: 1. IPC/JEDEC J-STD-020A
 2. JEDEC Std JESD22-A114A (C1=100 pF, R1=1500 Ω, R2=500 Ω)

DSM2180F3V

DC AND AC PARAMETERS

This section summarizes the operating and measurement conditions, and the DC and AC characteristics of the device. The parameters in the DC and AC Characteristic tables that follow are derived from tests performed under the Measure-

ment Conditions summarized in the relevant tables. Designers should check that the operating conditions in their circuit match the measurement conditions when relying on the quoted parameters.

Table 22. Operating Conditions

| Symbol | Parameter | Min. | Max. | Unit |
|----------|--|------|------|------|
| V_{CC} | Supply Voltage | 3.0 | 3.6 | V |
| T_A | Ambient Operating Temperature (industrial) | -40 | 85 | °C |

Table 23. AC Measurement Conditions

| Symbol | Parameter | Min. | Max. | Unit |
|--------|--|------|------|------|
| C_L | Load Capacitance | 30 | | pF |
| | Input Rise and Fall Times | | 5 | ns |
| | Input Pulse Voltages | 1.5 | | V |
| | Input and Output Timing Reference Voltages | 1.5 | | V |

Note: 1. Output Hi-Z is defined as the point where data out is no longer driven.

Figure 26. AC Measurement I/O Waveform

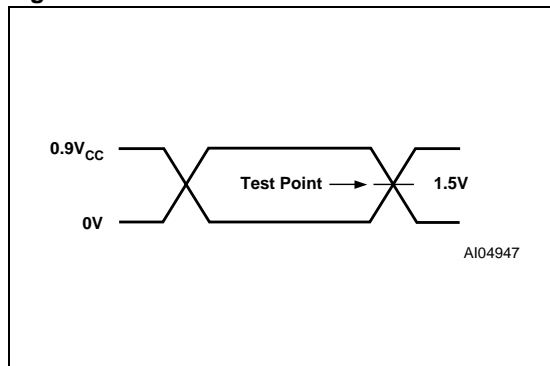


Figure 27. AC Measurement Load Circuit

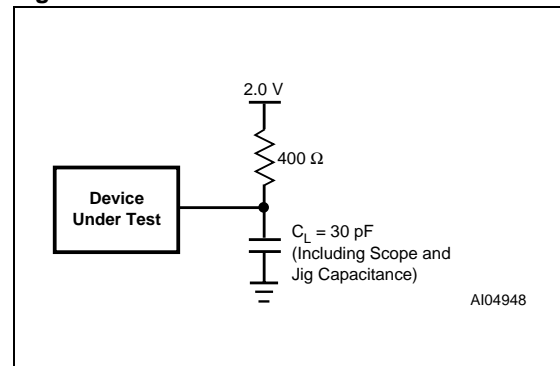


Table 24. Capacitance

| Symbol | Parameter | Test Condition | Typ. ² | Max. | Unit |
|-----------|--|----------------|-------------------|------|------|
| C_{IN} | Input Capacitance (for input pins) | $V_{IN} = 0V$ | 4 | 6 | pF |
| C_{OUT} | Output Capacitance (for input/output pins) | $V_{OUT} = 0V$ | 8 | 12 | pF |
| C_{VPP} | Capacitance (for CNTL2/ V_{PP}) | $V_{PP} = 0V$ | 18 | 25 | pF |

Note: 1. Sampled only, not 100% tested.

2. Typical values are for $T_A = 25^\circ\text{C}$ and nominal supply voltages.

Table 25. AC Symbols for PLD Timing

| Signal Letters | |
|----------------|---|
| A | Address Input |
| C | CEout Output |
| D | Input Data |
| E | E Input |
| N | Reset Input or Output |
| P | Port Signal Output |
| Q | Output Data |
| R | \overline{RD} Input (read) |
| S | Chip Select Input, \overline{BMS} , \overline{DMS} , \overline{IOMS} , or FSx |
| W | \overline{WR} Input (write) |
| B | V _{STBY} Output |
| M | Output Macrocell |

| Signal Behavior | |
|-----------------|-------------------------------|
| t | Time |
| L | Logic Level Low |
| H | Logic Level High |
| V | Valid |
| X | No Longer a Valid Logic Level |
| Z | Float |
| PW | Pulse Width |

Example: t_{AVWL} – Time from Address Valid to Write input Low.

Figure 28. Switching Waveforms – Key

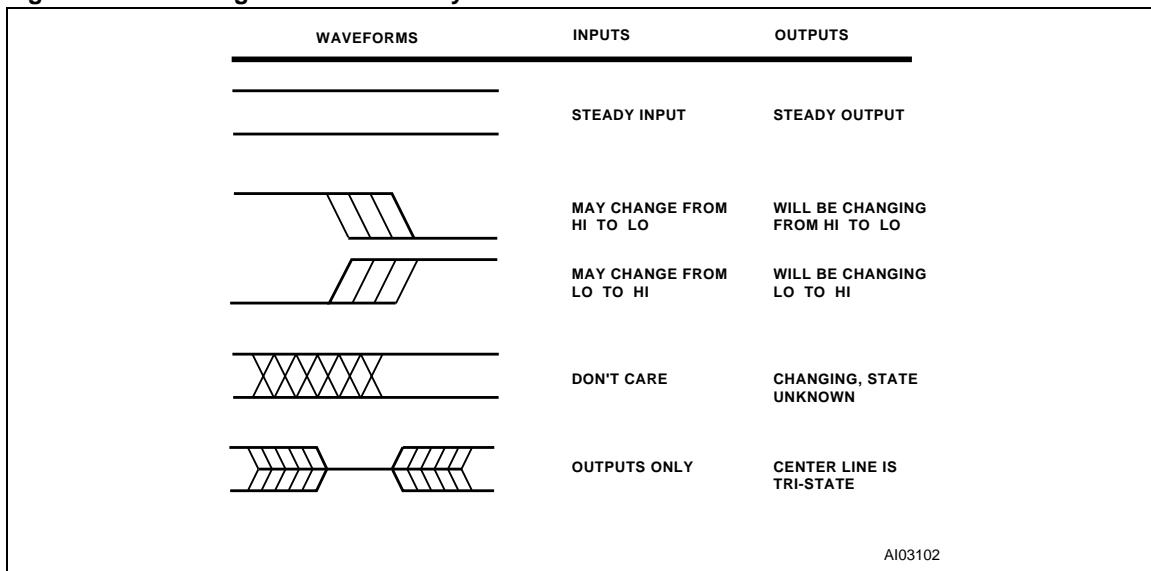


Table 26. DC Characteristics

| Symbol | Parameter | Conditions | Min. | Typ. | Max. | Unit | | |
|--|---|---|--|------|-------------------------|------------|-------|----|
| V _{IH} | High Level Input Voltage | 3.0 V < V _{CC} < 3.6 V | 0.7V _{CC} | | V _{CC} +0.5 | V | | |
| V _{IL} | Low Level Input Voltage | 3.0 V < V _{CC} < 3.6 V | -0.5 | | 0.8 | V | | |
| V _{IH1} | Reset High Level Input Voltage | (Note ¹) | 0.8V _{CC} | | V _{CC} +0.5 | V | | |
| V _{IL1} | Reset Low Level Input Voltage | (Note ¹) | -0.5 | | 0.2V _{CC} -0.1 | V | | |
| V _{HYS} | Reset Pin Hysteresis | | 0.3 | | | V | | |
| V _{LKO} | V _{CC} (min) for Flash Erase and Program | | 1.5 | | 2.2 | V | | |
| V _{OL} | Output Low Voltage | I _{OL} = 20 μA, V _{CC} = 3.0V | | 0.01 | 0.1 | V | | |
| | | I _{OL} = 4 mA, V _{CC} = 3.0 V | | 0.15 | 0.45 | V | | |
| V _{OH} | Output High Voltage Except V _{STBY} On | I _{OH} = -20 μA, V _{CC} = 3.0 V | 2.9 | 2.99 | | V | | |
| | | I _{OH} = -2 mA, V _{CC} = 3.0 V | 2.7 | 2.6 | | V | | |
| V _{OH1} | Output High Voltage V _{STBY} On | I _{OH1} = 1 μA | V _{STBY} - 0.8 | | | V | | |
| I _{IDLE} | Idle Current (V _{STBY} input) | V _{CC} > V _{STBY} | -0.1 | | 0.1 | μA | | |
| V _{DF} | SRAM Data Retention Voltage | Only on V _{STBY} | 2 | | | V | | |
| I _{SB} | Stand-by Supply Current for Power-down Mode | $\overline{CS1} > V_{CC} - 0.3 \text{ V}$ (Notes ^{2,3}) | | 25 | 100 | μA | | |
| I _{LI} | Input Leakage Current | V _{SS} < V _{IN} < V _{CC} | -1 | ±1 | 1 | μA | | |
| I _{LO} | Output Leakage Current | 0.45 < V _{IN} < V _{CC} | -10 | ±5 | 10 | μA | | |
| I _{CC} (DC) (Note ⁵) | Operating Supply Current | PLD Only | PLD_TURBO = Off, f = 0 MHz (Note ³) | | 0 | | μA/PT | |
| | | | PLD_TURBO = On, f = 0 MHz | | 200 | 400 | μA/PT | |
| | | Flash memory | During Flash memory Write/ Erase Only | | 10 | 25 | | mA |
| | | | Read Only, f = 0 MHz | | 0 | 0 | | mA |
| I _{CC} (AC) (Note ⁵) | PLD AC Adder | | (see note ⁴) | | | | | |
| | Flash memory AC Adder | | | 1.5 | 2.0 | mA/ MHz | | |

- Note: 1. Reset (\overline{Reset}) has hysteresis. V_{IL1} is valid at or below 0.2V_{CC} -0.1. V_{IH1} is valid at or above 0.8V_{CC} .
2. $\overline{CS1}$ deselected.
3. PLD is in non-Turbo mode, and none of the inputs are switching.
4. Please see Figure 25 for the PLD current calculation.
5. I_{OUT} = 0 mA

Table 27. CPLD Combinatorial Timing

| Symbol | Parameter | Conditions | -15 | | PT Aloc | Turbo Off | Slew Rate ¹ | Unit |
|-------------------|---|---------------|-----|-----|------------|--------------|---------------------------|------|
| | | | Min | Max | | | | |
| t _{PD} | CPLD Input Pin/Feedback to CPLD Combinatorial Output | | | 45 | Add 4 | Add 20 | Sub 6 | ns |
| t _{EA} | CPLD Input to CPLD Output Enable | | | 45 | | Add 20 | Sub 6 | ns |
| t _{ER} | CPLD Input to CPLD Output Disable | | | 45 | | Add 20 | Sub 6 | ns |
| t _{ARP} | CPLD Register Clear or Preset Delay | | | 43 | | Add 20 | Sub 6 | ns |
| t _{ARPW} | CPLD Register Clear or Preset Pulse Width | | 30 | | | Add 20 | | ns |
| t _{ARD} | CPLD Array Delay | Any Macrocell | | 29 | Add 4 | | | ns |

Note: 1. Fast Slew Rate output available on PB3-PB0, and PD2-PD0.

Table 28. CPLD Macrocell Synchronous Clock Mode Timing

| Symbol | Parameter | Conditions | -15 | | PT Alloc | Turbo Off | Slew Rate ¹ | Unit |
|------------------|---|---|-----|------|----------|-----------|------------------------|------|
| | | | Min | Max | | | | |
| f _{MAX} | Maximum Frequency External Feedback | 1/(t _S +t _{CO}) | | 18.8 | | | | MHz |
| | Maximum Frequency Internal Feedback (f _{CNT}) | 1/(t _S +t _{CO} -10) | | 23.2 | | | | MHz |
| | Maximum Frequency Pipelined Data | 1/(t _{CH} +t _{CL}) | | 33.3 | | | | MHz |
| t _S | Input Setup Time | | 25 | | Add 4 | Add 20 | | ns |
| t _H | Input Hold Time | | 0 | | | | | ns |
| t _{CH} | Clock High Time | Clock Input | 15 | | | | | ns |
| t _{CL} | Clock Low Time | Clock Input | 15 | | | | | ns |
| t _{CO} | Clock to Output Delay | Clock Input | | 28 | | | Sub 6 | ns |
| t _{ARD} | CPLD Array Delay | Any Macrocell | | 29 | Add 4 | | | ns |
| t _{MIN} | Minimum Clock Period ² | t _{CH} +t _{CL} | 29 | | | | | ns |

Note: 1. Fast Slew Rate output available on PB3-PB0, and PD2-PD0.

2. CLKIN (PD1) t_{CLCL} = t_{CH} + t_{CL}.

Table 29. CPLD Macrocell Asynchronous Clock Mode Timing

| Symbol | Parameter | Conditions | -15 | | PT Alloc | Turbo Off | Slew Rate | Unit |
|-------------------|--|---|-----|------|----------|-----------|-----------|------|
| | | | Min | Max | | | | |
| f _{MAXA} | Maximum Frequency External Feedback | 1/(t _{SA} +t _{COA}) | | 19.2 | | | | MHz |
| | Maximum Frequency Internal Feedback (f _{CNTA}) | 1/(t _{SA} +t _{COA} -10) | | 23.8 | | | | MHz |
| | Maximum Frequency Pipelined Data | 1/(t _{CHA} +t _{CLA}) | | 27 | | | | MHz |
| t _{SA} | Input Setup Time | | 12 | | Add 4 | Add 20 | | ns |
| t _{HA} | Input Hold Time | | 15 | | | | | ns |
| t _{CHA} | Clock High Time | | 22 | | | Add 20 | | ns |
| t _{CLA} | Clock Low Time | | 15 | | | Add 20 | | ns |
| t _{COA} | Clock to Output Delay | | | 40 | | Add 20 | Sub 6 | ns |
| t _{ARD} | CPLD Array Delay | Any Macrocell | | 29 | Add 4 | | | ns |
| t _{MINA} | Minimum Clock Period | 1/f _{CNTA} | 42 | | | | | ns |

Figure 29. Input to Output Disable / Enable

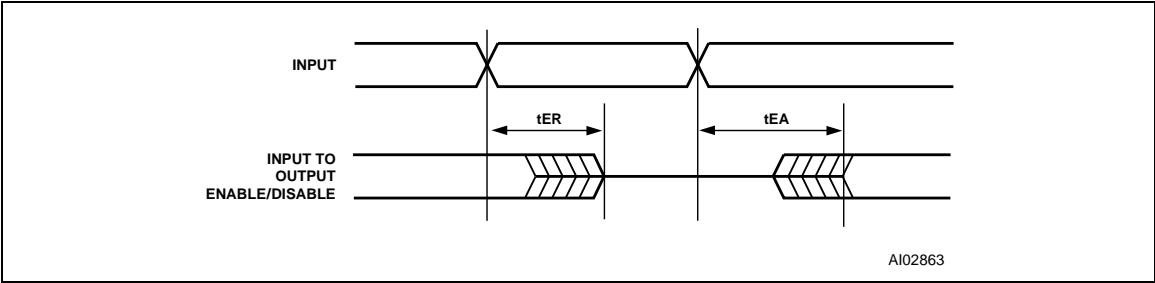


Figure 30. Asynchronous Reset / Preset

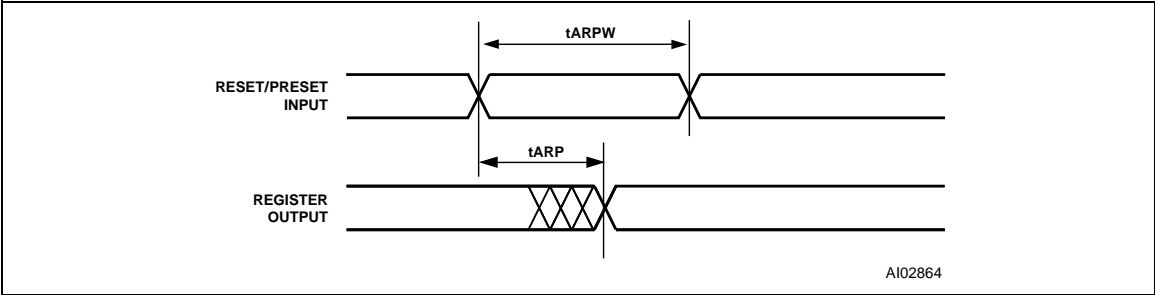


Figure 31. Synchronous Clock Mode Timing – PLD

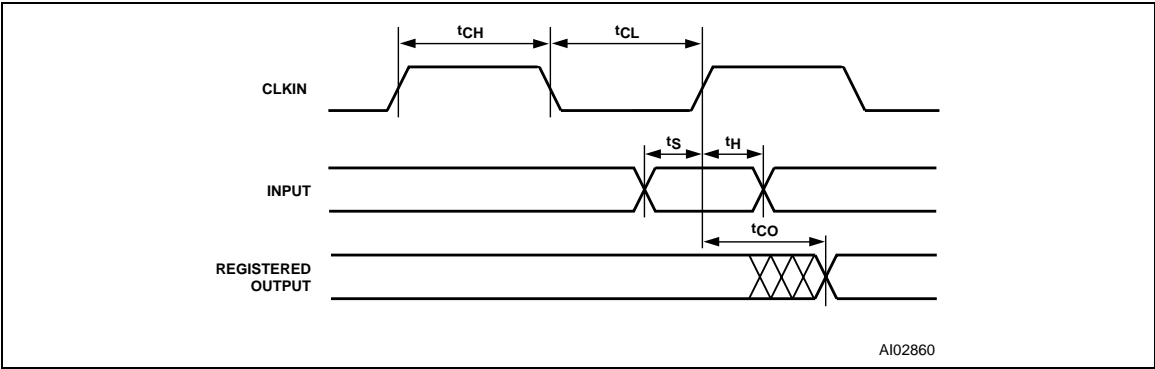


Figure 32. Asynchronous Clock Mode Timing (product term clock)

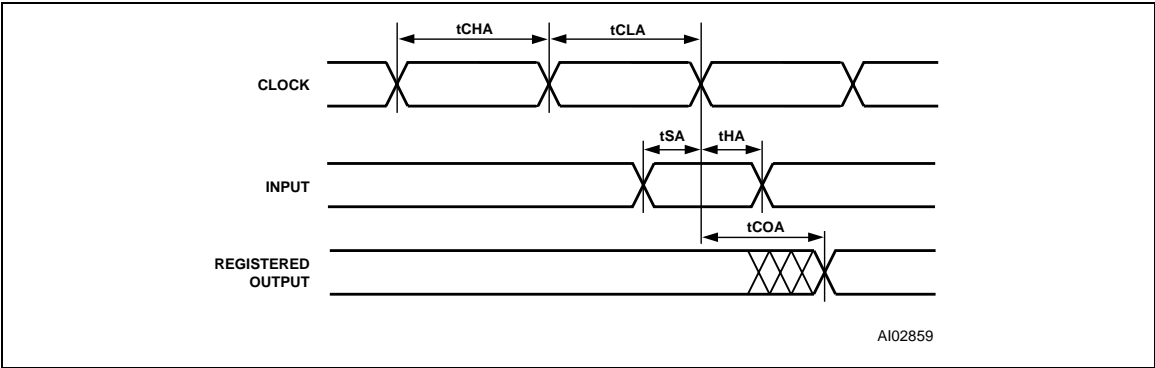


Table 30. Input Macrocell Timing

| Symbol | Parameter | Conditions | -15 | | PT Alloc | Turbo Off | Unit |
|-----------|----------------------------------|------------|-----|-----|----------|-----------|------|
| | | | Min | Max | | | |
| t_{IS} | Input Setup Time | (Note 1) | 0 | | | | ns |
| t_{IH} | Input Hold Time | (Note 1) | 25 | | | Add 20 | ns |
| t_{INH} | NIB Input High Time | (Note 1) | 13 | | | | ns |
| t_{INL} | NIB Input Low Time | (Note 1) | 13 | | | | ns |
| t_{INO} | NIB Input to Combinatorial Delay | (Note 1) | | 62 | Add 4 | Add 20 | ns |

Note: 1. Inputs from Port B, and C relative to register/latch clock from the PLD.

Figure 33. Input Macrocell Timing (product term clock)

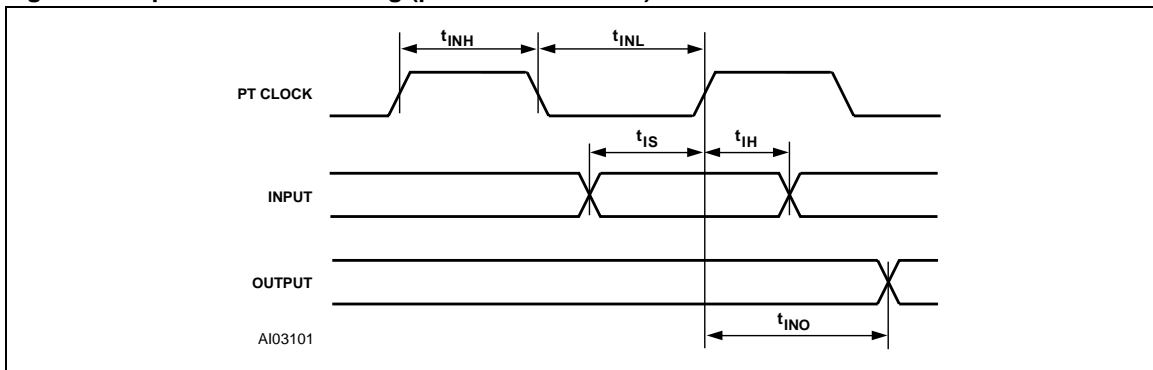


Table 31. Read Timing

| Symbol | Parameter | Conditions | -15 | | Turbo Off | Unit |
|------------|---|------------|-----|-----|-----------|------|
| | | | Min | Max | | |
| t_{AVQV} | Address Valid to Data Valid | (Note 1) | | 150 | Add 20 | ns |
| t_{SLQV} | CS Valid to Data Valid | | | 150 | | ns |
| t_{RLQV} | \overline{RD} to Data Valid 8-Bit Bus | | | 35 | | ns |
| t_{RHQX} | \overline{RD} Data Hold Time | | 1 | | | ns |
| t_{RLRH} | \overline{RD} Pulse Width | | 40 | | | ns |
| t_{RHQZ} | \overline{RD} to Data High-Z | | | 20 | | ns |

Note: 1. Any input used to select an internal DSM function.

Figure 34. Read Timing

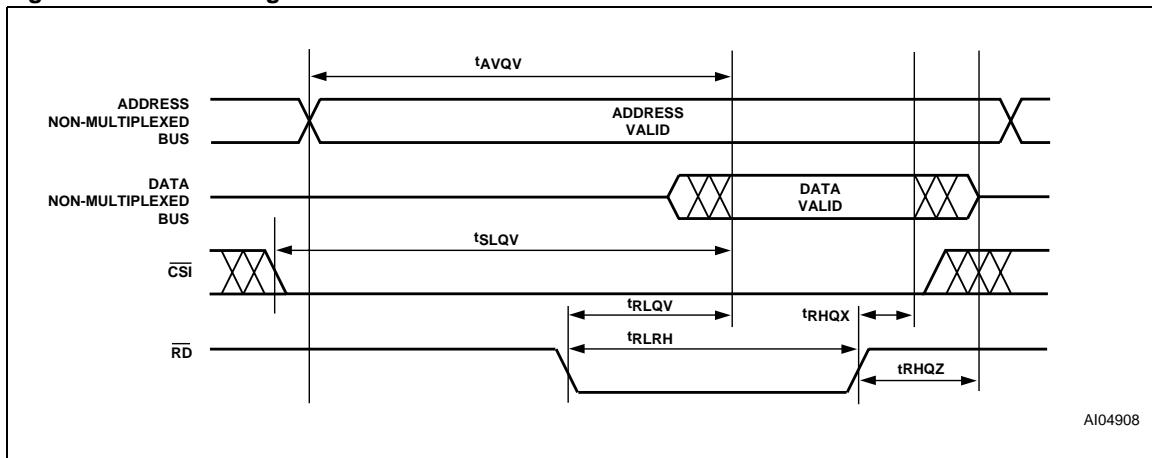
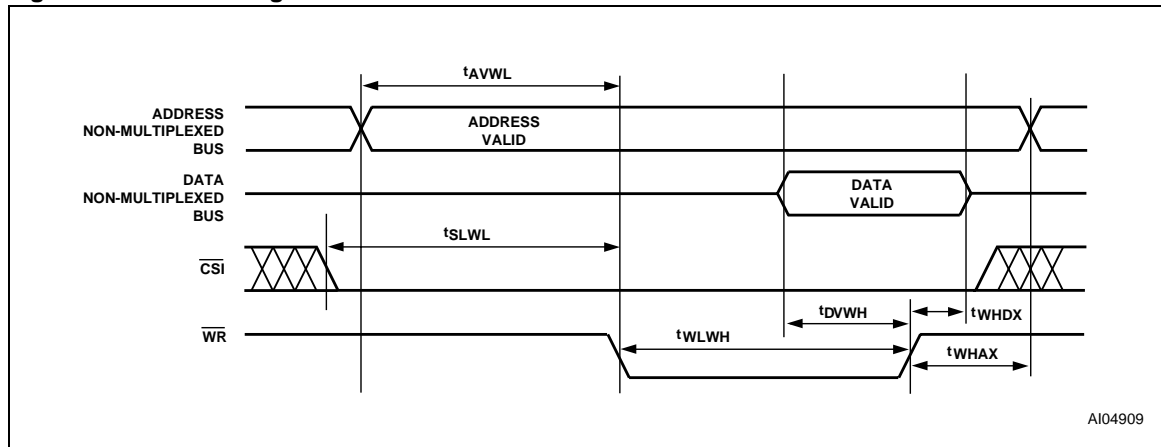


Table 32. Write Timing

| Symbol | Parameter | Conditions | -15 | | Unit |
|-------------|--|-----------------------|------|-----|------|
| | | | Min | Max | |
| t_{AVWL} | Address Valid to Leading Edge of \overline{WR} | (Notes ¹) | 0 | | ns |
| t_{SLWL} | \overline{CS} Valid to Leading Edge of \overline{WR} | | 0 | | ns |
| t_{DVWH} | \overline{WR} Data Setup Time | | 45 | | ns |
| t_{WHDX} | \overline{WR} Data Hold Time | | 2 | | ns |
| t_{WLWH} | \overline{WR} Pulse Width | | 48 | | ns |
| t_{WHAX1} | Trailing Edge of \overline{WR} to Address Invalid | | 1.75 | | ns |
| t_{WHAX2} | Trailing Edge of \overline{WR} to DPLD Address Invalid | (Note ⁴) | 0 | | ns |
| t_{WHPV} | Trailing Edge of \overline{WR} to Port Output Valid Using I/O Port Data Register | | | 35 | ns |
| t_{DVMV} | Data Valid to Port Output Valid Using Macrocell Register Preset/Clear | (Note ³) | | 70 | ns |
| t_{WLMV} | \overline{WR} Valid to Port Output Valid Using Macrocell Register Preset/Clear | (Note ²) | | 70 | ns |

Note: 1. Any input used to select an internal PSM function.
 2. Assuming data is stable before active write signal.
 3. Assuming write is active before data becomes valid.
 4. TWHAX2 is the address hold time for DPLD inputs that are used to generate Sector Select signals for internal DSM memory.

Figure 35. Write Timing



AI04909

Table 33. Flash Memory Program, Write and Erase Times

| Symbol | Parameter | Min. | Typ. | Max. | Unit |
|--------------------|---|---------|------|------|--------|
| | Flash Bulk Erase ¹ (pre-programmed) | | 3 | 30 | s |
| | Flash Bulk Erase (not pre-programmed) | | 5 | | s |
| t _{WHQV3} | Sector Erase (pre-programmed) | | 1 | 30 | s |
| t _{WHQV2} | Sector Erase (not pre-programmed) | | 2.2 | | s |
| t _{WHQV1} | Byte Program | | 14 | 1200 | μs |
| | Program / Erase Cycles (per Sector) | 100,000 | | | cycles |
| t _{HWLO} | Sector Erase Time-Out | | 100 | | μs |
| t _{Q7VQV} | DQ7 Valid to Output (DQ7-DQ0) Valid (Data Polling) ² | | | 30 | ns |

Note: 1. Programmed to all zero before erase.

2. The polling status, DQ7, is valid t_{Q7VQV} time units before the data byte, DQ0-DQ7, is valid for reading.

Table 34. Reset ($\overline{\text{RESET}}$) Timing

| Symbol | Parameter | Conditions | Min | Max | Unit |
|----------------------|------------------------------------|------------|-----|-----|------|
| t _{NLNH} | RESET Active Low Time ¹ | | 300 | | ns |
| t _{NLNH-PO} | Power On Reset Active Low Time | | 1 | | ms |
| t _{OPR} | RESET High to Operational Device | | | 300 | ns |

Note: 1. Reset ($\overline{\text{RESET}}$) does not reset Flash memory Program or Erase cycles.

2. Warm reset aborts Flash memory Program or Erase cycles, and puts the device in Read mode.

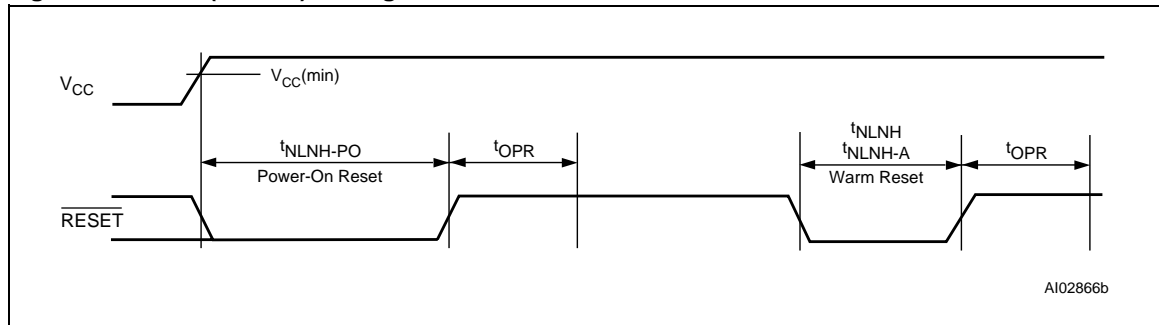
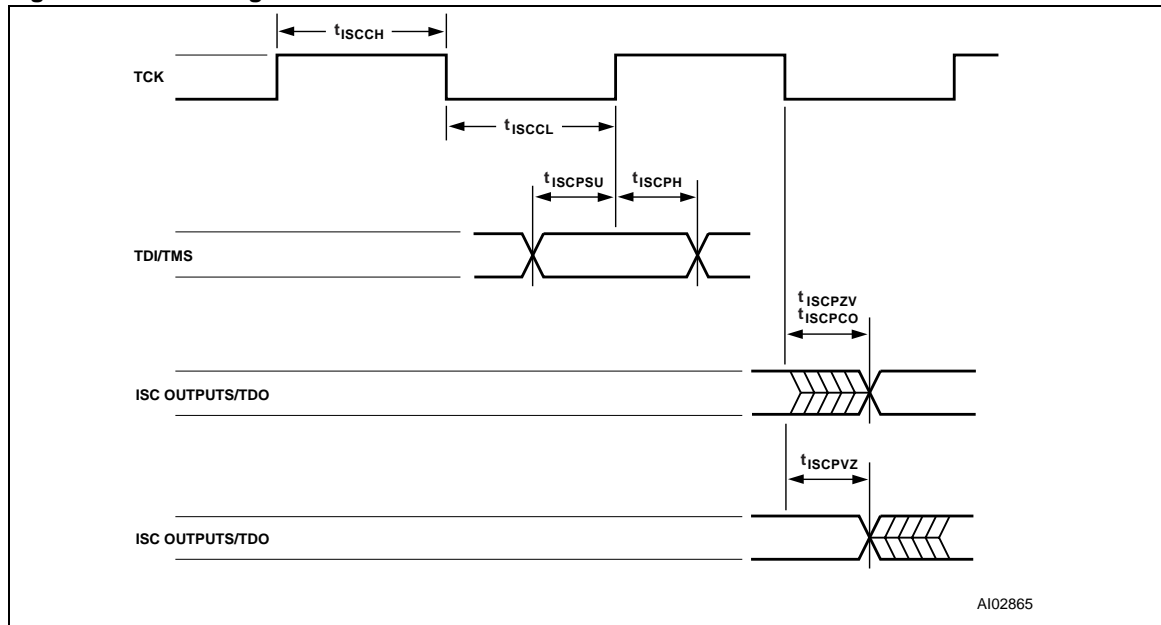
Figure 36. Reset ($\overline{\text{RESET}}$) Timing

Table 35. ISC Timing

| Symbol | Parameter | Conditions | -15 | | Unit |
|----------------------|---|----------------------|-----|-----|------|
| | | | Min | Max | |
| t _{ISCCF} | Clock (TCK, PC1) Frequency (except for PLD) | (Note ¹) | | 10 | MHz |
| t _{ISCH} | Clock (TCK, PC1) High Time (except for PLD) | (Note ¹) | 45 | | ns |
| t _{ISCL} | Clock (TCK, PC1) Low Time (except for PLD) | (Note ¹) | 45 | | ns |
| t _{ISCCFP} | Clock (TCK, PC1) Frequency (PLD only) | (Note ²) | | 2 | MHz |
| t _{ISCHP} | Clock (TCK, PC1) High Time (PLD only) | (Note ²) | 240 | | ns |
| t _{ISCLP} | Clock (TCK, PC1) Low Time (PLD only) | (Note ²) | 240 | | ns |
| t _{ISCPUSU} | ISC Port Set Up Time | | 13 | | ns |
| t _{ISCPH} | ISC Port Hold Up Time | | 5 | | ns |
| t _{ISPCO} | ISC Port Clock to Output | | | 36 | ns |
| t _{ISCPZV} | ISC Port High-Impedance to Valid Output | | | 36 | ns |
| t _{ISCPVZ} | ISC Port Valid Output to High-Impedance | | | 36 | ns |

Note: 1. For non-PLD Programming, Erase or in ISC by-pass mode.
 2. For Program or Erase PLD only.

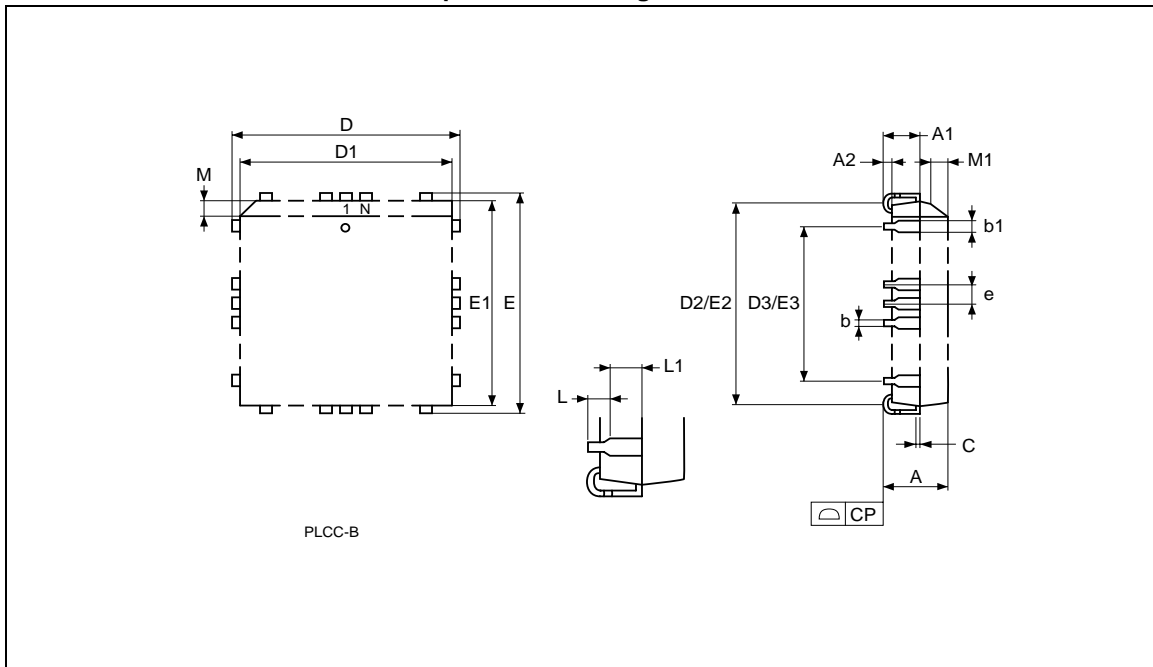
Figure 37. ISC Timing



AI02865

PACKAGE MECHANICAL

PLCC52 – 52 lead Plastic Leaded Chip Carrier, rectangular



Note: Drawing is not to scale.

PLCC52 – 52 lead Plastic Leaded Chip Carrier, rectangular

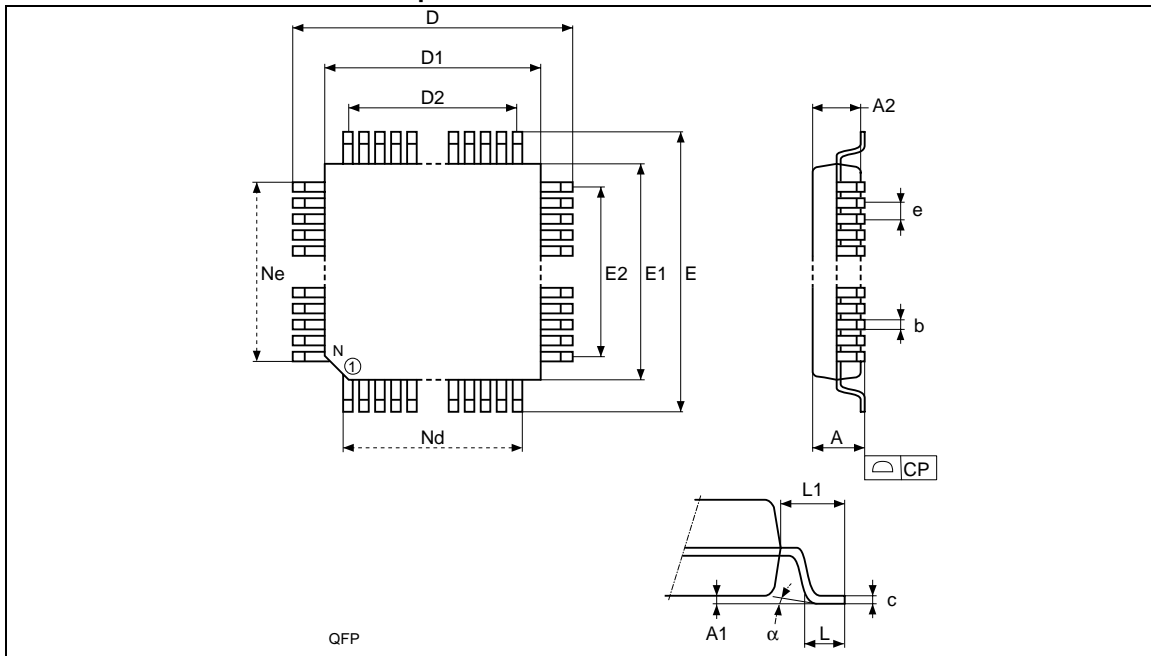
| Symbol | mm | | | inches | | |
|--------|------|-------|-------|--------|--------|--------|
| | Typ. | Min. | Max. | Typ. | Min. | Max. |
| A | | 4.19 | 4.57 | | 0.165 | 0.180 |
| A1 | | 2.54 | 2.79 | | 0.100 | 0.110 |
| A2 | | – | 0.91 | | – | 0.036 |
| B | | 0.33 | 0.53 | | 0.013 | 0.021 |
| B1 | | 0.66 | 0.81 | | 0.026 | 0.032 |
| C | | 0.246 | 0.261 | | 0.0097 | 0.0103 |
| D | | 19.94 | 20.19 | | 0.785 | 0.795 |
| D1 | | 19.05 | 19.15 | | 0.750 | 0.754 |
| D2 | | 17.53 | 18.54 | | 0.690 | 0.730 |
| E | | 19.94 | 20.19 | | 0.785 | 0.795 |
| E1 | | 19.05 | 19.15 | | 0.750 | 0.754 |
| E2 | | 17.53 | 18.54 | | 0.690 | 0.730 |
| e | 1.27 | – | – | 0.050 | – | – |
| R | 0.89 | – | – | 0.035 | – | – |
| N | | 52 | | | 52 | |
| Nd | | 13 | | | 13 | |
| Ne | | 13 | | | 13 | |

Table 36. Assignments – PLCC52

| Pin No. | Pin Assignments |
|---------|-----------------|
| 1 | GND |
| 2 | PB5 |
| 3 | PB4 |
| 4 | PB3 |
| 5 | PB2 |
| 6 | PB1 |
| 7 | PB0 |
| 8 | PD2 |
| 9 | PD1 |
| 10 | PD0 |
| 11 | PC7 |
| 12 | PC6 |
| 13 | PC5 |
| 14 | PC4 |
| 15 | V _{CC} |
| 16 | GND |
| 17 | PC3 |
| 18 | PC2 (VSTBY) |
| 19 | PC1 |
| 20 | PC0 |
| 21 | PA7 |
| 22 | PA6 |
| 23 | PA5 |
| 24 | PA4 |
| 25 | PA3 |
| 26 | GND |

| Pin No. | Pin Assignments |
|---------|---------------------------|
| 27 | PA2 |
| 28 | PA1 |
| 29 | PA0 |
| 30 | AD0 |
| 31 | AD1 |
| 32 | AD2 |
| 33 | AD3 |
| 34 | AD4 |
| 35 | AD5 |
| 36 | AD6 |
| 37 | AD7 |
| 38 | V _{CC} |
| 39 | AD8 |
| 40 | AD9 |
| 41 | AD10 |
| 42 | AD11 |
| 43 | AD12 |
| 44 | AD13 |
| 45 | AD14 |
| 46 | AD15 |
| 47 | CNTL0 |
| 48 | $\overline{\text{RESET}}$ |
| 49 | CNTL2 |
| 50 | CNTL1 |
| 51 | PB7 |
| 52 | PB6 |

PQFP52 - 52 lead Plastic Quad Flatpack



Note: Drawing is not to scale.

PQFP52 - 52 lead Plastic Quad Flatpack

| Symb. | mm | | | inches | | |
|----------|-------|-------|-------|--------|-------|-------|
| | Typ. | Min. | Max. | Typ. | Min. | Max. |
| A | | | 2.35 | | | 0.093 |
| A1 | | | 0.25 | | | 0.010 |
| A2 | 2.00 | 1.80 | 2.10 | 0.079 | 0.077 | 0.083 |
| b | | 0.22 | 0.38 | | 0.009 | 0.015 |
| c | | 0.11 | 0.23 | | 0.004 | 0.009 |
| D | 13.20 | 12.95 | 13.45 | 0.520 | 0.510 | 0.530 |
| D1 | 10.00 | 9.90 | 10.10 | 0.394 | 0.390 | 0.398 |
| D2 | 7.80 | – | – | 0.307 | – | – |
| E | 13.20 | 12.95 | 13.45 | 0.520 | 0.510 | 0.530 |
| E1 | 10.00 | 9.90 | 10.10 | 0.394 | 0.390 | 0.398 |
| E2 | 7.80 | – | – | 0.307 | – | – |
| e | 0.65 | – | – | 0.026 | | |
| L | 0.88 | 0.73 | 1.03 | 0.035 | 0.029 | 0.041 |
| L1 | 1.60 | – | – | 0.063 | | |
| α | | 0° | 7° | | 0° | 7° |
| N | 52 | | | 52 | | |
| Nd | 13 | | | 13 | | |
| Ne | 13 | | | 13 | | |
| CP | | | 0.10 | | | 0.004 |

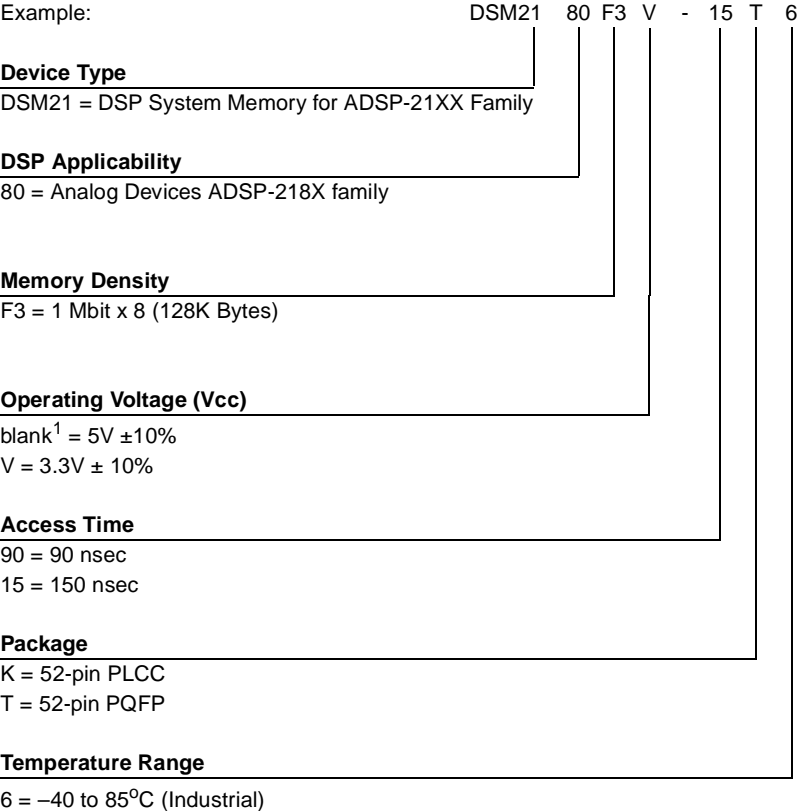
Table 37. Pin Assignments – PQFP52

| Pin No. | Pin Assignments |
|---------|-----------------|
| 1 | PD2 |
| 2 | PD1 |
| 3 | PD0 |
| 4 | PC7 |
| 5 | PC6 |
| 6 | PC5 |
| 7 | PC4 |
| 8 | V _{CC} |
| 9 | GND |
| 10 | PC3 |
| 11 | PC2 |
| 12 | PC1 |
| 13 | PC0 |
| 14 | PA7 |
| 15 | PA6 |
| 16 | PA5 |
| 17 | PA4 |
| 18 | PA3 |
| 19 | GND |
| 20 | PA2 |
| 21 | PA1 |
| 22 | PA0 |
| 23 | AD0 |
| 24 | AD1 |
| 25 | AD2 |
| 26 | AD3 |

| Pin No. | Pin Assignments |
|---------|-----------------|
| 27 | AD4 |
| 28 | AD5 |
| 29 | AD6 |
| 30 | AD7 |
| 31 | V _{CC} |
| 32 | AD8 |
| 33 | AD9 |
| 34 | AD10 |
| 35 | AD11 |
| 36 | AD12 |
| 37 | AD13 |
| 38 | AD14 |
| 39 | AD15 |
| 40 | CNTL0 |
| 41 | RESET |
| 42 | CNTL2 |
| 43 | CNTL1 |
| 44 | PB7 |
| 45 | PB6 |
| 46 | GND |
| 47 | PB5 |
| 48 | PB4 |
| 49 | PB3 |
| 50 | PB2 |
| 51 | PB1 |
| 52 | PB0 |

PART NUMBERING

Table 38. Ordering Information Scheme



Note: 1. The 5V±10% devices are not covered by this data sheet, but by the DSM2180F3 data sheet.

For a list of available options (speed, package, etc.) or for further information on any aspect of this device, please contact your nearest ST Sales Office.



REVISION HISTORY

Table 39. Document Revision History

| Date | Rev. | Description of Revision |
|-------------|-------------|---|
| 06-Nov-2001 | 1.0 | Document for the 3.3V±10% range separated out from the data sheet on the 5V±10% range |
| 17-Dec-2001 | 1.1 | PQFP52 package mechanical data updated |

Information furnished is believed to be accurate and reliable. However, STMicroelectronics assumes no responsibility for the consequences of use of such information nor for any infringement of patents or other rights of third parties which may result from its use. No license is granted by implication or otherwise under any patent or patent rights of STMicroelectronics. Specifications mentioned in this publication are subject to change without notice. This publication supersedes and replaces all information previously supplied. STMicroelectronics products are not authorized for use as critical components in life support devices or systems without express written approval of STMicroelectronics.

The ST logo is registered trademark of STMicroelectronics
All other names are the property of their respective owners

© 2001 STMicroelectronics - All Rights Reserved

STMicroelectronics group of companies Australia - Brazil - Canada - China - Finland - France - Germany - Hong Kong -
India - Israel - Italy - Japan - Malaysia - Malta - Morocco - Singapore - Spain - Sweden - Switzerland - United Kingdom - United States.
www.st.com

