

## Features

- 4.5V to 5.5V Read/Write
- Access Time - 70 ns
- Sector Erase Architecture
  - Fourteen 32K Word (64K Byte) Sectors with Individual Write Lockout
  - Two 16K Word (32K Byte) Sectors with Individual Write Lockout
  - Two 8K Word (16K Byte) Sectors with Individual Write Lockout
  - Four 4K Word (8K Byte) Sectors with Individual Write Lockout
- Fast Word Program Time - 10  $\mu$ s
- Fast Sector Erase Time - 200 ms
- Dual Plane Organization, Permitting Concurrent Read while Program/Erase
  - Memory Plane A: Four 4K Word, Two 8K Word and Two 16K Word Sectors
  - Memory Plane B: Fourteen 32K Word Sectors
- Erase Suspend Capability
  - Supports Reading/Programming Data from Any Sector by Suspending Erase of Any Different Sector
- Low-power Operation
  - 40 mA Active
  - 10  $\mu$ A Standby
- $\overline{\text{Data Polling}}$ ,  $\overline{\text{Toggle Bit}}$ ,  $\overline{\text{Ready/Busy}}$  for End of Program Detection
- $\overline{\text{RESET}}$  Input for Device Initialization
- Sector Program Unlock Command
- TSOP and CBGA Package Options
- Top or Bottom Boot Block Configuration Available

## Description

The AT49F8011(T) is a 5.0 volt 8-megabit Flash memory organized as 524,288 words of 16 bits each or 1,048,576 bytes of 8 bits each. The x16 data appears on I/O0 - I/O15; the x8 data appears on I/O0 - I/O7. The memory is divided into 22 sectors for erase operations. The device is offered in 48-pin TSOP and 48-ball CBGA packages. The device has  $\overline{\text{CE}}$ , and  $\overline{\text{OE}}$  control signals to avoid any bus contention. This device can be read or reprogrammed using a single 5.0V power supply, making it ideally suited for in-system programming.

## Pin Configurations

| Pin Name                     | Function   |
|------------------------------|--|
| A0 - A18                     | Addresses  |
| $\overline{\text{CE}}$       | Chip Enable  |
| $\overline{\text{OE}}$       | Output Enable  |
| $\overline{\text{WE}}$       | Write Enable   |
| $\overline{\text{RESET}}$    | Reset  |
| $\overline{\text{RDY/BUSY}}$ | $\overline{\text{READY/BUSY}}$ Output                                      |
| I/O0 - I/O14                 | Data Inputs/Outputs  |
| I/O15 (A-1)                  | I/O15 (Data Input/Output, Word Mode)<br>A-1 (LSB Address Input, Byte Mode) |
| $\overline{\text{BYTE}}$     | Selects Byte or Word Mode  |
| NC                           | No Connect   |
| DC                           | Don't Connect  |



**8-megabit  
(512K x 16/  
1M x 8)  
5-volt Only  
Flash Memory**

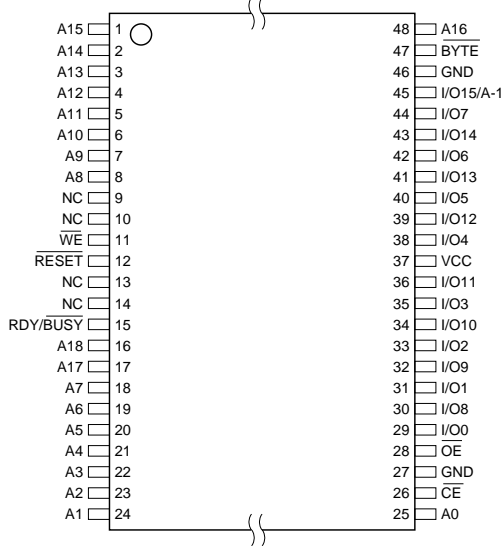
**AT49F8011  
AT49F8011T**

**Not Recommended  
for New Designs**

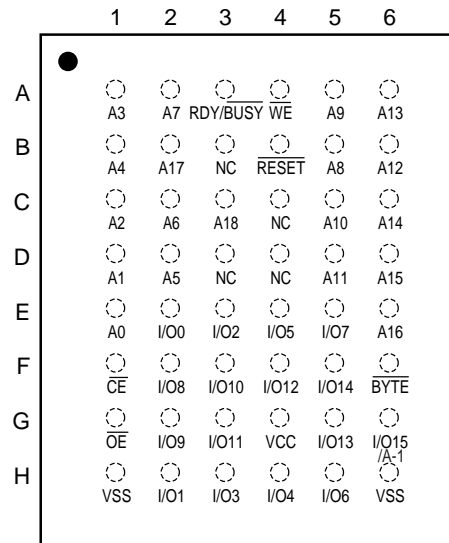
1264D-FLASH-5/03



**TSOP Top View  
Type 1**



**CBGA Top View**



The device powers on in the read mode. Command sequences are used to place the device in other operation modes such as program and erase. The device has the capability to protect the data in any sector. Once the data protection for a given sector is enabled, the data in that sector cannot be changed using input levels between ground and  $V_{CC}$ .

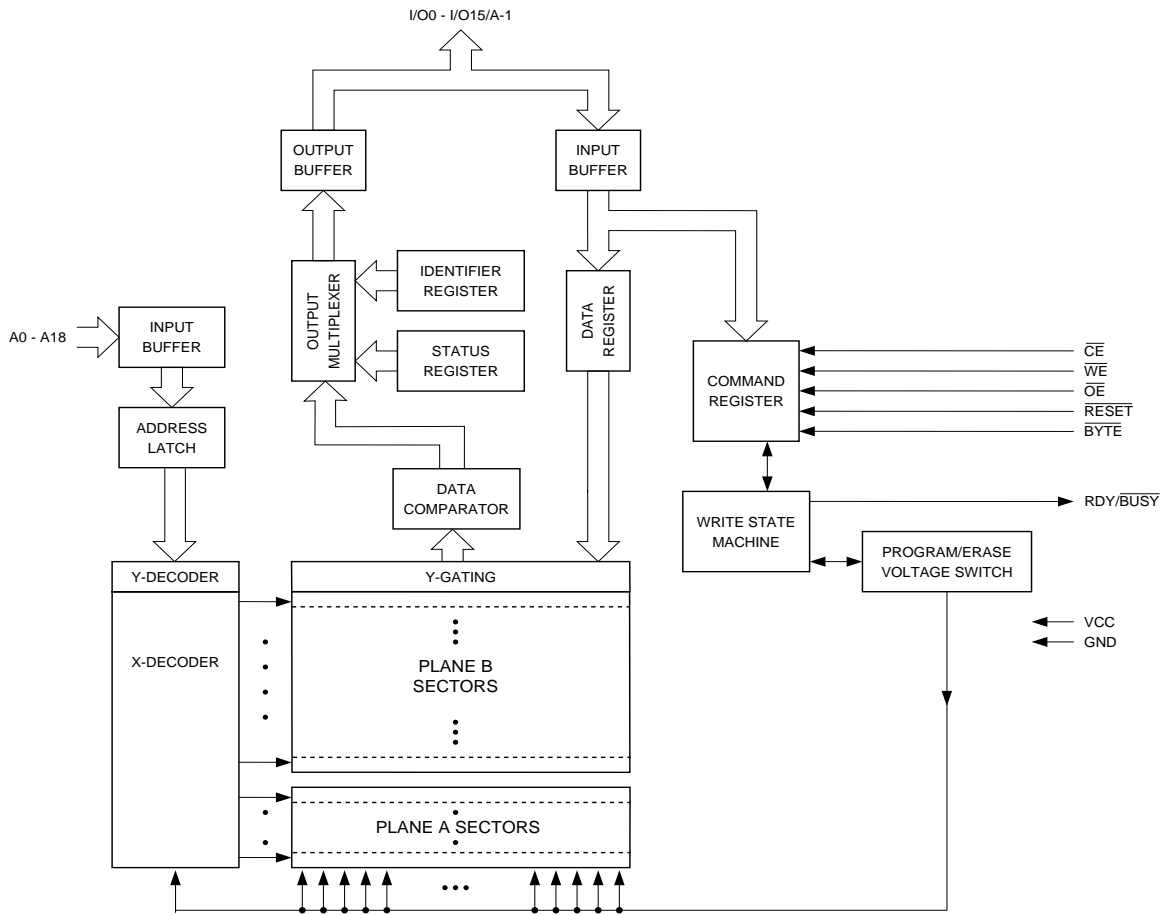
The device is segmented into two memory planes. Reads from memory plane B may be performed even while program or erase functions are being executed in memory plane A and vice versa. This operation allows improved system performance by not requiring the system to wait for a program or erase operation to complete before a read is performed. To further increase the flexibility of the device, it contains an Erase Suspend feature. This feature will put the Erase on hold for any amount of time and let the user read data from or program data to any of the remaining sectors within the same memory plane. There is no reason to suspend the erase operation if the data to be read is in the other memory plane. The end of a program or an Erase cycle is detected by the Ready/Busy pin,  $\overline{\text{Data}}$  polling, or by the toggle bit.

A six byte command (bypass unlock) sequence to remove the requirement of entering the three byte program sequence is offered to further improve programming time. After entering the six byte code, only single pulses on the write control lines are required for writing into the device. This mode (single pulse byte/word program) is exited by powering down the device, or by pulsing the  $\overline{\text{RESET}}$  pin low for a minimum of 50ns and then bringing it back to  $V_{CC}$ . Erase and Erase Suspend/Resume commands will not work while in this mode; if entered they will result in data being programmed into the device. It is not recommended that the six byte code reside in the software of the final product but only exist in external programming code.

The  $\overline{\text{BYTE}}$  pin controls whether the device data I/O pins operate in the byte or word configuration. If the  $\overline{\text{BYTE}}$  pin is set at logic "1", the device is in word configuration, I/O0-I/O15 are active and controlled by  $\overline{\text{CE}}$  and  $\overline{\text{OE}}$ .

If the  $\overline{\text{BYTE}}$  pin is set at logic "0", the device is in byte configuration, and only data I/O pins I/O0-I/O7 are active and controlled by  $\overline{\text{CE}}$  and  $\overline{\text{OE}}$ . The data I/O pins I/O8-I/O14 are tri-stated, and the I/O15 pin is used as an input for the LSB (A-1) address function.

## Block Diagram



## Device Operation

**READ:** The AT49F8011(T) is accessed like an EPROM. When  $\overline{CE}$  and  $\overline{OE}$  are low and  $\overline{WE}$  is high, the data stored at the memory location determined by the address pins are asserted on the outputs. The outputs are put in the high impedance state whenever  $\overline{CE}$  or  $\overline{OE}$  is high. This dual-line control gives designers flexibility in preventing bus contention.

**COMMAND SEQUENCES:** When the device is first powered on it will be reset to the read or standby mode depending upon the state of the control line inputs. In order to perform other device functions, a series of command sequences are entered into the device. The command sequences are shown in the Command Definitions table (I/O8 - I/O15 are don't care inputs for the command codes). The command sequences are written by applying a low pulse on the  $\overline{WE}$  or  $\overline{CE}$  input with  $\overline{CE}$  or  $\overline{WE}$  low (respectively) and  $\overline{OE}$  high. The address is latched on the falling edge of  $\overline{CE}$  or  $\overline{WE}$ , whichever occurs last. The data is latched by the first rising edge of  $\overline{CE}$  or  $\overline{WE}$ . Standard microprocessor write timings are used. The address locations used in the command sequences are not affected by entering the command sequences.

**RESET:** A  $\overline{RESET}$  input pin is provided to ease some system applications. When  $\overline{RESET}$  is at a logic high level, the device is in its standard operating mode. A low level on the  $\overline{RESET}$  input halts the present device operation and puts the outputs of the device in a high impedance state. When a high level is reasserted on the  $\overline{RESET}$  pin, the device returns to the Read or Standby mode, depending upon the state of the control inputs. By applying a  $12V \pm 0.5V$  input signal to the  $\overline{RESET}$  pin any sector can be reprogrammed even if the sector lockout feature has been enabled (see Sector Programming Lockout Override section).

**ERASURE:** Before a byte/word can be reprogrammed, it must be erased. The erased state of memory bits is a logical “1”. The entire device can be erased by using the Chip Erase command or individual sectors can be erased by using the Sector Erase commands.

**CHIP ERASE:** The entire device can be erased at one time by using the 6-byte chip erase software code. After the chip erase has been initiated, the device will internally time the erase operation so that no external clocks are required. The maximum time to erase the chip is  $t_{EC}$ .

If the sector lockout has been enabled, the Chip Erase will not erase the data in the sector that has been locked; it will erase only the unprotected sectors. After the chip erase, the device will return to the read or standby mode.

**SECTOR ERASE:** As an alternative to a full chip erase, the device is organized into 22 sectors that can be individually erased. The Sector Erase command is a six bus cycle operation. The sector address is latched on the falling  $\overline{WE}$  edge of the sixth cycle while the 30H data input command is latched on the rising edge of  $\overline{WE}$ . The sector erase starts after the rising edge of  $\overline{WE}$  of the sixth cycle. The erase operation is internally controlled; it will automatically time to completion. The maximum time to erase a section is  $t_{SEC}$ . When the sector programming lockout feature is not enabled, the sector will erase (from the same sector erase command). Once a sector has been protected, data in the protected sectors cannot be changed unless the  $\overline{RESET}$  pin is taken to  $12V \pm 0.5V$ . An attempt to erase a sector that has been protected will result in the operation terminating in 2  $\mu s$ .

**BYTE/WORD PROGRAMMING:** Once a memory block is erased, it is programmed (to a logical “0”) on a byte-by-byte or on a word-by-word basis. Programming is accomplished via the internal device command register and is a 4-bus cycle operation. The device will automatically generate the required internal program pulses.

Any commands written to the chip during the embedded programming cycle will be ignored. If a hardware reset happens during programming, the data at the location being programmed will be corrupted. Please note that a data “0” cannot be programmed back to a “1”; only erase operations can convert “0”s to “1”s. Programming is completed after the specified  $t_{BP}$  cycle time. The  $\overline{DATA}$  polling feature or the toggle bit feature may be used to indicate the end of a program cycle.

**SECTOR PROGRAMMING LOCKOUT:** Each sector has a programming lockout feature. This feature prevents programming of data in the designated sectors once the feature has been enabled. These sectors can contain secure code that is used to bring up the system. Enabling the lockout feature will allow the boot code to stay in the device while data in the rest of the device is updated. This feature does not have to be activated; any sector’s usage as a write protected region is optional to the user.

Once the feature is enabled, the data in the protected sectors can no longer be erased or programmed when input levels of 5.5V or less are used. Data in the remaining sectors can still be changed through the regular programming method. To activate the lockout feature, a series of six program commands to specific addresses with specific data must be performed. Please refer to the Command Definitions table.

**SECTOR LOCKOUT DETECTION:** A software method is available to determine if programming of a sector is locked out. When the device is in the software product identification mode (see Software product Identification Entry and Exit sections) a read from address location 00002H within a sector will show if programming the sector is locked out. If the data on I/O0 is low, the sector can be programmed; if the data on I/O0 is high, the program lockout feature has been enabled and the sector cannot be programmed. The software product identification exit code should be used to return to standard operation.

**SECTOR PROGRAMMING LOCKOUT OVERRIDE:** The user can override the sector programming lockout by taking the  $\overline{RESET}$  pin to  $12V \pm 0.5V$ . By doing this protected data can be altered through a chip erase, sector erase or byte/word programming. When the  $\overline{RESET}$  pin is brought back to TTL levels the sector programming lockout feature is again active.

**ERASE SUSPEND/ERASE RESUME:** The erase suspend command allows the system to interrupt a sector erase operation and then program or read data from a different sector within the same plane. Since this device has a dual plane architecture, there is no need to use the erase suspend feature while erasing a sector when you want to read data from a sector in the other plane. After the erase suspend command is given, the device requires a maximum time of 15  $\mu$ s to suspend the erase operation. After the erase operation has been suspended, the plane which contains the suspended sector enters the erase-suspend-read mode. The system can then read data or program data to any other sector within the device. An address is not required during the erase suspend command. During a sector erase suspend, another sector cannot be erased. To resume the sector erase operation, the system must write the erase resume command. The erase resume command is a one bus cycle command that does require the plane address which is determined by A18 - A16. The device also supports an erase suspend during a complete chip erase. While the chip erase is suspended, the user can read from any sector within the memory that is protected. The command sequence for a chip erase suspend and a sector erase suspend are the same.

**PRODUCT IDENTIFICATION:** The product identification mode identifies the device and manufacturer as Atmel. It may be accessed by hardware or software operation. The hardware operation mode can be used by an external programmer to identify the correct programming algorithm for the Atmel product.

For details, see Operating Modes (for hardware operation) or Software Product Identification. The manufacturer and device code is the same for both modes.

**DATA POLLING:** The AT49F8011(T) features  $\overline{\text{DATA}}$  polling to indicate the end of a program cycle. During a program cycle an attempted read of the last byte/word loaded will result in the complement of the loaded data on I/O7. Once the program cycle has been completed, true data is valid on all outputs and the next cycle may begin. During a chip or sector erase operation, an attempt to read the device will give a "0" on I/O7. Once the program or erase cycle has completed, true data will be read from the device.  $\overline{\text{DATA}}$  polling may begin at any time during the program cycle. Please see "Status Bit Table" for more details.

**TOGGLE BIT:** In addition to  $\overline{\text{DATA}}$  polling the AT49F8011(T) provides another method for determining the end of a program or erase cycle. During a program or erase operation, successive attempts to read data from the same memory plane will result in I/O6 toggling between one and zero. Once the program cycle has completed, I/O6 will stop toggling and valid data will be read. Examining the toggle bit may begin at any time during a program cycle.

An additional toggle bit is available on I/O2 which can be used in conjunction with the toggle bit which is available on I/O6. While a sector is erase suspended, a read or a program operation from the suspended sector will result in the I/O2 bit toggling. Please see "Status Bit Table" for more details.

**RDY/ $\overline{\text{BUSY}}$ :** An open drain  $\overline{\text{RDY/BUSY}}$  output pin provides another method of detecting the end of a program or erase operation.  $\overline{\text{RDY/BUSY}}$  is actively pulled low during the internal program and erase cycles and is released at the completion of the cycle. The open drain connection allows for OR-tying of several devices to the same  $\overline{\text{RDY/BUSY}}$  line.

**HARDWARE DATA PROTECTION:** Hardware features protect against inadvertent programs to the AT49F8011(T) in the following ways: (a)  $V_{\text{CC}}$  sense: if  $V_{\text{CC}}$  is below 3.8V (typical), the program function is inhibited. (b)  $V_{\text{CC}}$  power on delay: once  $V_{\text{CC}}$  has reached the  $V_{\text{CC}}$  sense level, the device will automatically time out 10 ms (typical) before programming. (c) Program inhibit: holding any one of  $\overline{\text{OE}}$  low,  $\overline{\text{CE}}$  high or  $\overline{\text{WE}}$  high inhibits program cycles. (d) Noise filter: pulses of less than 15 ns (typical) on the  $\overline{\text{WE}}$  or  $\overline{\text{CE}}$  inputs will not initiate a program cycle.

**INPUT LEVELS:** While operating with a 4.5V to 5.5V power supply, the address inputs and control inputs ( $\overline{\text{OE}}$ ,  $\overline{\text{CE}}$ , and  $\overline{\text{WE}}$ ) may be driven from 0 to 5.5V without adversely affecting the operation of the device. The I/O lines can only be driven from 0 to  $V_{\text{CC}} + 0.6\text{V}$ .

## Command Definition in Hex<sup>(1)</sup>

| Command Sequence               | Bus Cycles | 1st Bus Cycle     |                  | 2nd Bus Cycle |      | 3rd Bus Cycle |      | 4th Bus Cycle |                 | 5th Bus Cycle |      | 6th Bus Cycle        |      |
|--------------------------------|------------|-------------------|------------------|---------------|------|---------------|------|---------------|-----------------|---------------|------|----------------------|------|
|                                |            | Addr              | Data             | Addr          | Data | Addr          | Data | Addr          | Data            | Addr          | Data | Addr                 | Data |
| Read                           | 1          | Addr              | D <sub>OUT</sub> |               |      |               |      |               |                 |               |      |                      |      |
| Chip Erase                     | 6          | 5555              | AA               | 2AAA          | 55   | 5555          | 80   | 5555          | AA              | 2AAA          | 55   | 5555                 | 10   |
| Sector Erase                   | 6          | 5555              | AA               | 2AAA          | 55   | 5555          | 80   | 5555          | AA              | 2AAA          | 55   | SA <sup>(3)(4)</sup> | 30   |
| Byte/Word Program              | 4          | 5555              | AA               | 2AAA          | 55   | 5555          | A0   | Addr          | D <sub>IN</sub> |               |      |                      |      |
| Bypass Unlock                  | 6          | 5555              | AA               | 2AAA          | 55   | 5555          | 80   | 5555          | AA              | 2AAA          | 55   | 5555                 | A0   |
| Single Pulse Byte/Word Program | 1          | Addr              | D <sub>IN</sub>  |               |      |               |      |               |                 |               |      |                      |      |
| Sector Lockout                 | 6          | 5555              | AA               | 2AAA          | 55   | 5555          | 80   | 5555          | AA              | 2AAA          | 55   | SA <sup>(3)(4)</sup> | 40   |
| Erase Suspend                  | 1          | xxxx              | B0               |               |      |               |      |               |                 |               |      |                      |      |
| Erase Resume                   | 1          | PA <sup>(5)</sup> | 30               |               |      |               |      |               |                 |               |      |                      |      |
| Product ID Entry               | 3          | 5555              | AA               | 2AAA          | 55   | 5555          | 90   |               |                 |               |      |                      |      |
| Product ID Exit <sup>(2)</sup> | 3          | 5555              | AA               | 2AAA          | 55   | 5555          | F0   |               |                 |               |      |                      |      |
| Product ID Exit <sup>(2)</sup> | 1          | xxxx              | F0               |               |      |               |      |               |                 |               |      |                      |      |

- Notes:
- The DATA FORMAT in each bus cycle is as follows: I/O15 - I/O8 (Don't Care); I/O7 - I/O0 (Hex).  
The ADDRESS FORMAT in each bus cycle is as follows: A15 - A0 (Hex), A-1, A14 - A18 (Don't Care).
  - Either one of the Product ID Exit commands can be used.
  - SA = sector address. Any byte/word address within a sector can be used to designate the sector address (see next two pages for details).
  - When the sector programming lockout feature is not enabled, the sector will erase (from the same sector erase command). Once the sector has been protected, data in the protected sectors cannot be changed unless the **RESET** pin is taken to 12V ± 0.5V.
  - PA is the plane address (A18 - A16).

## Absolute Maximum Ratings\*

|   |                                 |
|---|---------------------------------|
| Temperature Under Bias .....  | -55° C to +125° C               |
| Storage Temperature .....   | -65° C to +150° C               |
| All Input Voltages<br>(including NC Pins)<br>with Respect to Ground ..... | -0.6V to +6.25V                 |
| All Output Voltages<br>with Respect to Ground .....                       | -0.6V to V <sub>CC</sub> + 0.6V |
| Voltage on $\overline{OE}$<br>with Respect to Ground .....                | -0.6V to +13.5V                 |

\*NOTICE: Stresses beyond those listed under "Absolute Maximum Ratings" may cause permanent damage to the device. This is a stress rating only and functional operation of the device at these or any other conditions beyond those indicated in the operational sections of this specification is not implied. Exposure to absolute maximum rating conditions for extended periods may affect device reliability.

## AT49F8011 – Sector Address Table

| Plane | Sector | Size (Bytes/Words) | x8<br>Address Range (A18 - A-1) | x16<br>Address Range (A18 - A0) |
|-------|--------|--------------------|---------------------------------|---------------------------------|
| A     | SA0    | 16K/8K             | 000000 - 003FFF                 | 00000 - 01FFF                   |
| A     | SA1    | 32K/16K            | 004000 - 00BFFF                 | 02000 - 05FFF                   |
| A     | SA2    | 8K/4K              | 00C000 - 00DFFF                 | 06000 - 06FFF                   |
| A     | SA3    | 8K/4K              | 00E000 - 00FFFF                 | 07000 - 07FFF                   |
| A     | SA4    | 8K/4K              | 010000 - 011FFF                 | 08000 - 08FFF                   |
| A     | SA5    | 8K/4K              | 012000 - 013FFF                 | 09000 - 09FFF                   |
| A     | SA6    | 32K/16K            | 014000 - 018FFF                 | 0A000 - 0DFFF                   |
| A     | SA7    | 16K/8K             | 01C000 - 01FFFF                 | 0E000 - 0FFFF                   |
| B     | SA8    | 64K/32K            | 020000 - 02FFFF                 | 10000 - 17FFF                   |
| B     | SA9    | 64K/32K            | 030000 - 03FFFF                 | 18000 - 1FFFF                   |
| B     | SA10   | 64K/32K            | 040000 - 04FFFF                 | 20000 - 27FFF                   |
| B     | SA11   | 64K/32K            | 050000 - 05FFFF                 | 28000 - 2FFFF                   |
| B     | SA12   | 64K/32K            | 060000 - 06FFFF                 | 30000 - 37FFF                   |
| B     | SA13   | 64K/32K            | 070000 - 07FFFF                 | 38000 - 3FFFF                   |
| B     | SA14   | 64K/32K            | 080000 - 08FFFF                 | 40000 - 47FFF                   |
| B     | SA15   | 64K/32K            | 090000 - 09FFFF                 | 48000 - 4FFFF                   |
| B     | SA16   | 64K/32K            | 0A0000 - 0AFFFF                 | 50000 - 57FFF                   |
| B     | SA17   | 64K/32K            | 0B0000 - 0BFFFF                 | 58000 - 5FFFF                   |
| B     | SA18   | 64K/32K            | 0C0000 - 0CFFFF                 | 60000 - 67FFF                   |
| B     | SA19   | 64K/32K            | 0D0000 - 0DFFFF                 | 68000 - 6FFFF                   |
| B     | SA20   | 64K/32K            | 0E0000 - 0EFFFF                 | 70000 - 77FFF                   |
| B     | SA21   | 64K/32K            | 0F0000 - 0FFFFF                 | 78000 - 7FFFF                   |

## AT49F8011T – Sector Address Table

| Plane | Sector | Size (Bytes/Words) | x8<br>Address Range (A18 - A-1) | x16<br>Address Range (A18 - A0) |
|-------|--------|--------------------|---------------------------------|---------------------------------|
| B     | SA0    | 64K/32K            | 000000 - 00FFFF                 | 00000 - 07FFF                   |
| B     | SA1    | 64K/32K            | 010000 - 01FFFF                 | 08000 - 0FFFF                   |
| B     | SA2    | 64K/32K            | 020000 - 02FFFF                 | 10000 - 17FFF                   |
| B     | SA3    | 64K/32K            | 030000 - 03FFFF                 | 18000 - 1FFFF                   |
| B     | SA4    | 64K/32K            | 040000 - 04FFFF                 | 20000 - 27FFF                   |
| B     | SA5    | 64K/32K            | 050000 - 05FFFF                 | 28000 - 2FFFF                   |
| B     | SA6    | 64K/32K            | 060000 - 06FFFF                 | 30000 - 37FFF                   |
| B     | SA7    | 64K/32K            | 070000 - 07FFFF                 | 38000 - 3FFFF                   |
| B     | SA8    | 64K/32K            | 080000 - 08FFFF                 | 40000 - 47FFF                   |
| B     | SA9    | 64K/32K            | 090000 - 09FFFF                 | 48000 - 4FFFF                   |
| B     | SA10   | 64K/32K            | 0A0000 - 0AFFFF                 | 50000 - 57FFF                   |
| B     | SA11   | 64K/32K            | 0B0000 - 0BFFFF                 | 58000 - 5FFFF                   |
| B     | SA12   | 64K/32K            | 0C0000 - 0CFFFF                 | 60000 - 67FFF                   |
| B     | SA13   | 64K/32K            | 0D0000 - 0DFFFF                 | 68000 - 6FFFF                   |
| A     | SA14   | 16K/8K             | 0E0000 - 0E3FFF                 | 70000 - 71FFF                   |
| A     | SA15   | 32K/16K            | 0E4000 - 0EBFFF                 | 72000 - 75FFF                   |
| A     | SA16   | 8K/4K              | 0EC000 - 0EDFFF                 | 76000 - 76FFF                   |
| A     | SA17   | 8K/4K              | 0EE000 - 0EFFFF                 | 77000 - 77FFF                   |
| A     | SA18   | 8K/4K              | 0F0000 - 0F1FFF                 | 78000 - 78FFF                   |
| A     | SA19   | 8K/4K              | 0F2000 - 0F3FFF                 | 79000 - 79FFF                   |
| A     | SA20   | 32K/16K            | 0F4000 - 0FBFFF                 | 7A000 - 7DFFF                   |
| A     | SA21   | 16K/8K             | 0FC000 - 0FFFFF                 | 7E000 - 7FFFF                   |



## DC and AC Operating Range

|                              |      | AT49F8011(T)-70 | AT49F8011(T)-90 |
|------------------------------|------|-----------------|-----------------|
| Operating Temperature (Case) | Com. | 0°C - 70°C      | 0°C - 70°C      |
|                              | Ind. | -40°C - 85°C    | -40°C - 85°C    |
| V <sub>CC</sub> Power Supply |      | 4.5V to 5.5V    | 4.5V to 5.5V    |

## Operating Modes

| Mode                         | $\overline{CE}$ | $\overline{OE}$  | $\overline{WE}$ | $\overline{RESET}$ | Ai  | I/O                              |
|------------------------------|-----------------|------------------|-----------------|--------------------|---|----------------------------------|
| Read                         | V <sub>IL</sub> | V <sub>IL</sub>  | V <sub>IH</sub> | V <sub>IH</sub>    | Ai  | D <sub>OUT</sub>                 |
| Program/Erase <sup>(2)</sup> | V <sub>IL</sub> | V <sub>IH</sub>  | V <sub>IL</sub> | V <sub>IH</sub>    | Ai  | D <sub>IN</sub>                  |
| Standby/Program Inhibit      | V <sub>IH</sub> | X <sup>(1)</sup> | X               | V <sub>IH</sub>    | X   | High Z                           |
| Program Inhibit              | X               | X                | V <sub>IH</sub> | V <sub>IH</sub>    |   |                                  |
| Program Inhibit              | X               | V <sub>IL</sub>  | X               | V <sub>IH</sub>    |   |                                  |
| Output Disable               | X               | V <sub>IH</sub>  | X               | V <sub>IH</sub>    |   | High Z                           |
| Reset                        | X               | X                | X               | V <sub>IL</sub>    | X   | High Z                           |
| Product Identification       |                 |                  |                 |                    |   |                                  |
| Hardware                     | V <sub>IL</sub> | V <sub>IL</sub>  | V <sub>IH</sub> | V <sub>IH</sub>    | A1 - A18 = V <sub>IL</sub> , A9 = V <sub>H</sub> <sup>(3)</sup><br>A0 = V <sub>IL</sub> | Manufacturer Code <sup>(4)</sup> |
|                              |                 |                  |                 |                    | A1 - A18 = V <sub>IL</sub> , A9 = V <sub>H</sub> <sup>(3)</sup><br>A0 = V <sub>IH</sub> | Device Code <sup>(4)</sup>       |
| Software <sup>(5)</sup>      |                 |                  |                 | V <sub>IH</sub>    | A0 = V <sub>IL</sub> , A1 - A18 = V <sub>IL</sub>                                       | Manufacturer Code <sup>(4)</sup> |
|                              |                 |                  |                 |                    | A0 = V <sub>IH</sub> , A1 - A18 = V <sub>IL</sub>                                       | Device Code <sup>(4)</sup>       |

- Notes:
- X can be V<sub>IL</sub> or V<sub>IH</sub>.
  - Refer to AC Programming Waveforms.
  - V<sub>H</sub> = 12.0V ± 0.5V.
  - Manufacturer Code: 1FH (x8); 001FH (x16), Device Code: 00CB-AT49F8011; 004A-AT49F8011T.
  - See details under Software Product Identification Entry/Exit.

## DC Characteristics

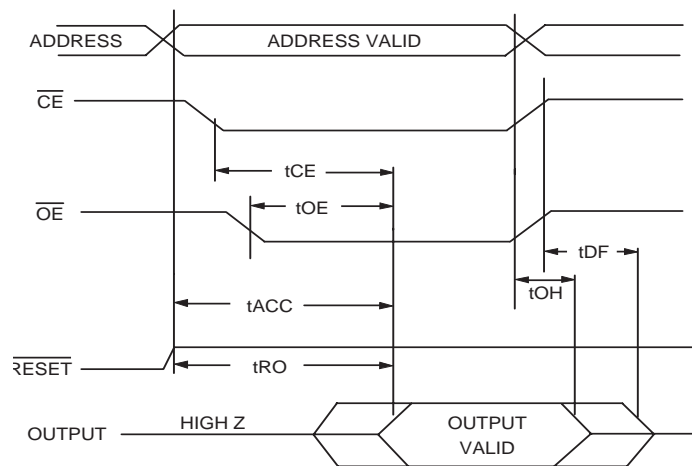
| Symbol                         | Parameter                                | Condition  | Min | Max  | Units |
|--------------------------------|--|--|-----|------|-------|
| I <sub>LI</sub>                | Input Load Current                       | V <sub>IN</sub> = 0V to V <sub>CC</sub>            |     | 10   | μA    |
| I <sub>LO</sub>                | Output Leakage Current                   | V <sub>I/O</sub> = 0V to V <sub>CC</sub>           |     | 10   | μA    |
| I <sub>SB1</sub>               | V <sub>CC</sub> Standby Current CMOS     | $\overline{CE} = V_{CC} - 0.3V$ to V <sub>CC</sub> |     | 10   | μA    |
| I <sub>SB2</sub>               | V <sub>CC</sub> Standby Current TTL      | $\overline{CE} = 2.0V$ to V <sub>CC</sub>          |     | 1    | mA    |
| I <sub>CC</sub> <sup>(1)</sup> | V <sub>CC</sub> Active Current           | f = 5 MHz; I <sub>OUT</sub> = 0 mA                 |     | 40   | mA    |
| I <sub>CCRW</sub>              | V <sub>CC</sub> Read While Write Current | f = 5 MHz; I <sub>OUT</sub> = 0 mA                 |     | 60   | mA    |
| V <sub>IL</sub>                | Input Low Voltage                        |  |     | 0.8  | V     |
| V <sub>IH</sub>                | Input High Voltage                       |  | 2.0 |      | V     |
| V <sub>OL</sub>                | Output Low Voltage                       | I <sub>OL</sub> = 2.1 mA                           |     | 0.45 | V     |
| V <sub>OH</sub>                | Output High Voltage                      | I <sub>OH</sub> = -400 μA                          | 2.4 |      | V     |

Note: 1. In the erase mode, I<sub>CC</sub> is 50 mA.

## AC Read Characteristics

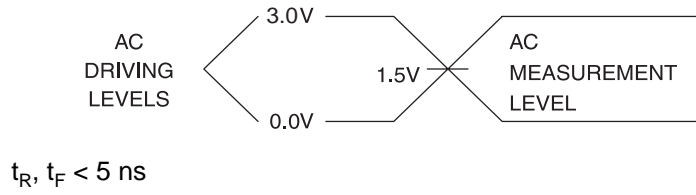
| Symbol            | Parameter   | AT49F8011(T)-70 |     | AT49F8011(T)-90 |     | Units |
|-------------------|---|-----------------|-----|-----------------|-----|-------|
|                   |   | Min             | Max | Min             | Max |       |
| $t_{ACC}$         | Address to Output Delay   |                 | 70  |                 | 90  | ns    |
| $t_{CE}^{(1)}$    | $\overline{CE}$ to Output Delay   |                 | 70  |                 | 90  | ns    |
| $t_{OE}^{(2)}$    | $\overline{OE}$ to Output Delay   | 0               | 35  | 0               | 40  | ns    |
| $t_{DF}^{(3)(4)}$ | $\overline{CE}$ or $\overline{OE}$ to Output Float                                      | 0               | 25  | 0               | 25  | ns    |
| $t_{OH}$          | Output Hold from $\overline{OE}$ , $\overline{CE}$ or Address, whichever occurred first | 0               |     | 0               |     | ns    |
| $t_{RO}$          | $\overline{RESET}$ to Output Delay  |                 | 800 |                 | 800 | ns    |

## AC Read Waveforms<sup>(1)(2)(3)(4)</sup>

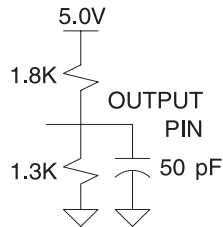


- Notes:
- $\overline{CE}$  may be delayed up to  $t_{ACC} - t_{CE}$  after the address transition without impact on  $t_{ACC}$ .
  - $\overline{OE}$  may be delayed up to  $t_{CE} - t_{OE}$  after the falling edge of  $\overline{CE}$  without impact on  $t_{CE}$  or by  $t_{ACC} - t_{OE}$  after an address change without impact on  $t_{ACC}$ .
  - $t_{DF}$  is specified from  $\overline{OE}$  or  $\overline{CE}$  whichever occurs first (CL = 5 pF).
  - This parameter is characterized and is not 100% tested.

### Input Test Waveforms and Measurement Level



### Output Test Load



### Pin Capacitance

$f = 1 \text{ MHz}, T = 25^\circ\text{C}^{(1)}$

| Symbol    | Typ | Max | Units | Conditions     |
|-----------|-----|-----|-------|----------------|
| $C_{IN}$  | 4   | 6   | pF    | $V_{IN} = 0V$  |
| $C_{OUT}$ | 8   | 12  | pF    | $V_{OUT} = 0V$ |

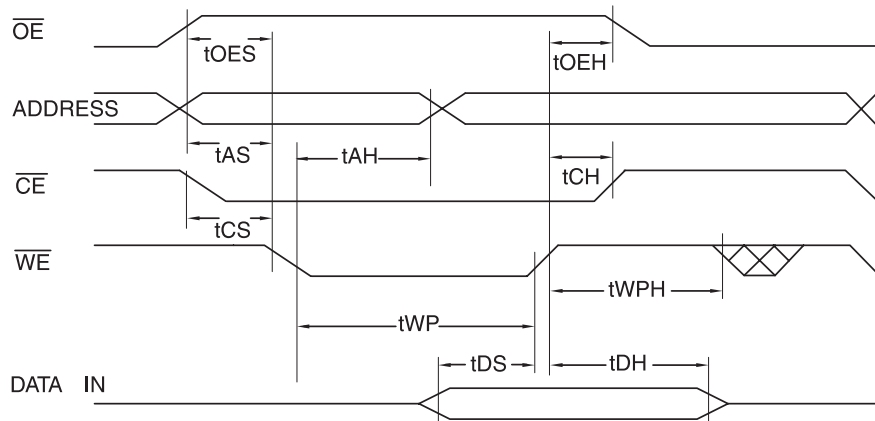
Note: 1. This parameter is characterized and is not 100% tested.

## AC Byte/Word Load Characteristics

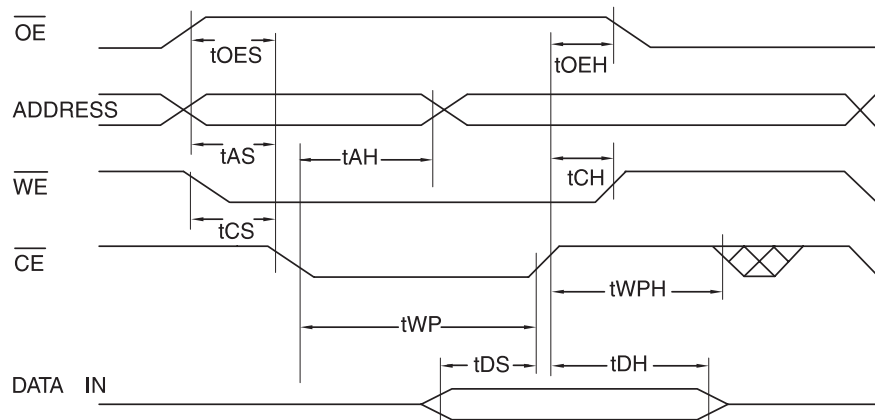
| Symbol            | Parameter  | Min | Max | Units |
|-------------------|--|-----|-----|-------|
| $t_{AS}, t_{OES}$ | Address, $\overline{OE}$ Set-up Time                     | 10  |     | ns    |
| $t_{AH}$          | Address Hold Time  | 50  |     | ns    |
| $t_{CS}$          | Chip Select Set-up Time                                  | 0   |     | ns    |
| $t_{CH}$          | Chip Select Hold Time                                    | 0   |     | ns    |
| $t_{WP}$          | Write Pulse Width ( $\overline{WE}$ or $\overline{CE}$ ) | 100 |     | ns    |
| $t_{DS}$          | Data Set-up Time   | 50  |     | ns    |
| $t_{DH}, t_{OEH}$ | Data, $\overline{OE}$ Hold Time                          | 10  |     | ns    |
| $t_{WPH}$         | Write Pulse Width High                                   | 50  |     | ns    |

## AC Byte/Word Load Waveforms

### $\overline{WE}$ Controlled



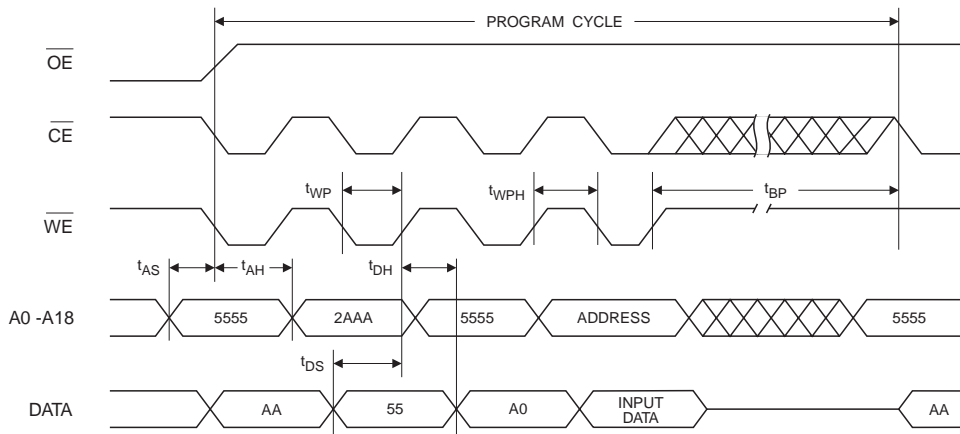
### $\overline{CE}$ Controlled



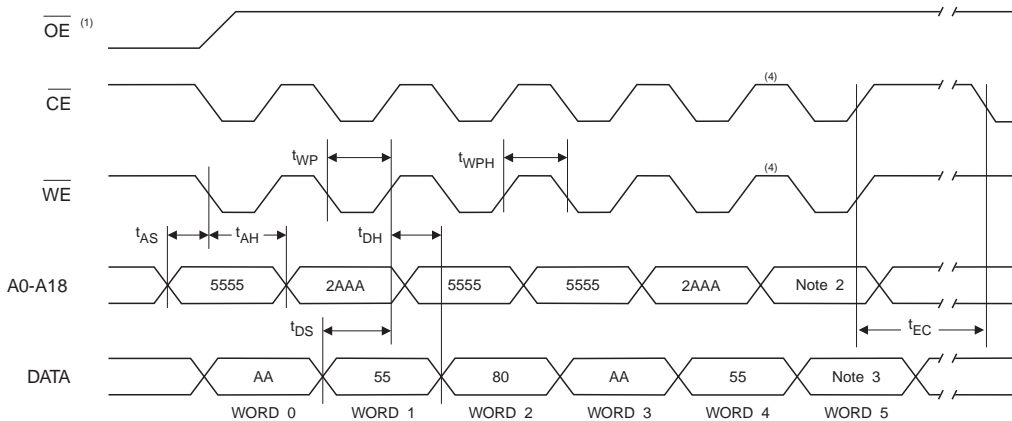
### Program Cycle Characteristics

| Symbol    | Parameter                  | Min | Typ | Max | Units   |
|-----------|----------------------------|-----|-----|-----|---------|
| $t_{BP}$  | Byte/Word Programming Time |     | 10  | 50  | $\mu$ s |
| $t_{AS}$  | Address Set-up Time        | 0   |     |     | ns      |
| $t_{AH}$  | Address Hold Time          | 50  |     |     | ns      |
| $t_{DS}$  | Data Set-up Time           | 50  |     |     | ns      |
| $t_{DH}$  | Data Hold Time             | 10  |     |     | ns      |
| $t_{WP}$  | Write Pulse Width          | 100 |     |     | ns      |
| $t_{WPH}$ | Write Pulse Width High     | 50  |     |     | ns      |
| $t_{EC}$  | Chip Erase Cycle Time      |     |     | 10  | seconds |
| $t_{SEC}$ | Sector Erase Cycle Time    |     | 200 |     | ms      |

### Program Cycle Waveforms



### Sector or Chip Erase Cycle Waveforms



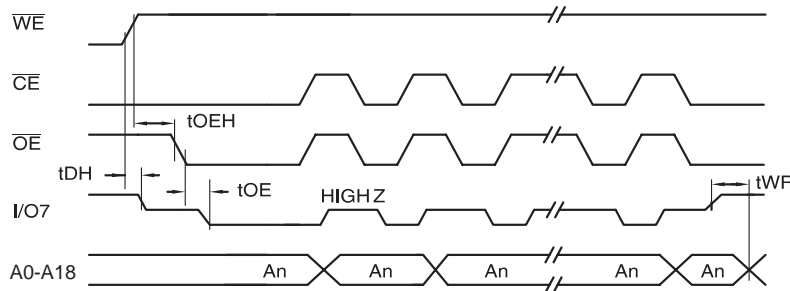
- Notes:
1.  $\overline{OE}$  must be high only when  $\overline{WE}$  and  $\overline{CE}$  are both low.
  2. For chip erase, the address should be 5555. For sector erase, the address depends on what sector is to be erased. (See note 3 under command definitions.)
  3. For chip erase, the data should be 10H, and for sector erase, the data should be 30H.
  4. The  $t_{WPH}$  time between the 5th and 6th bus cycle should be a minimum of 150 ns.

## Data Polling Characteristics<sup>(1)</sup>

| Symbol               | Parameter                                      | Min | Typ | Max | Units |
|----------------------|--|-----|-----|-----|-------|
| $t_{DH}$             | Data Hold Time                                 | 10  |     |     | ns    |
| $t_{OE\overline{H}}$ | $\overline{OE}$ Hold Time                      | 10  |     |     | ns    |
| $t_{OE}$             | $\overline{OE}$ to Output Delay <sup>(2)</sup> |     |     |     | ns    |
| $t_{WR}$             | Write Recovery Time                            | 0   |     |     | ns    |

- Notes: 1. These parameters are characterized and not 100% tested.  
2. See  $t_{OE}$  spec in AC Read Characteristics.

## Data Polling Waveforms

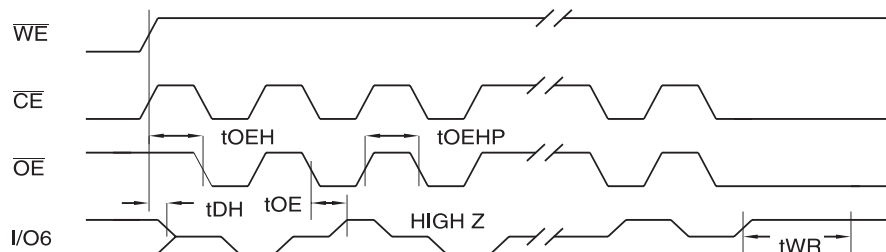


## Toggle Bit Characteristics<sup>(1)</sup>

| Symbol               | Parameter                                      | Min | Typ | Max | Units |
|----------------------|--|-----|-----|-----|-------|
| $t_{DH}$             | Data Hold Time                                 | 10  |     |     | ns    |
| $t_{OE\overline{H}}$ | $\overline{OE}$ Hold Time                      | 10  |     |     | ns    |
| $t_{OE}$             | $\overline{OE}$ to Output Delay <sup>(2)</sup> |     |     |     | ns    |
| $t_{OEHP}$           | $\overline{OE}$ High Pulse                     | 150 |     |     | ns    |
| $t_{WR}$             | Write Recovery Time                            | 0   |     |     | ns    |

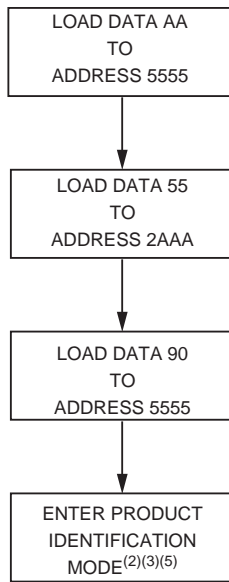
- Notes: 1. These parameters are characterized and not 100% tested.  
2. See  $t_{OE}$  spec in AC Read Characteristics.

## Toggle Bit Waveforms<sup>(1)(2)(3)</sup>

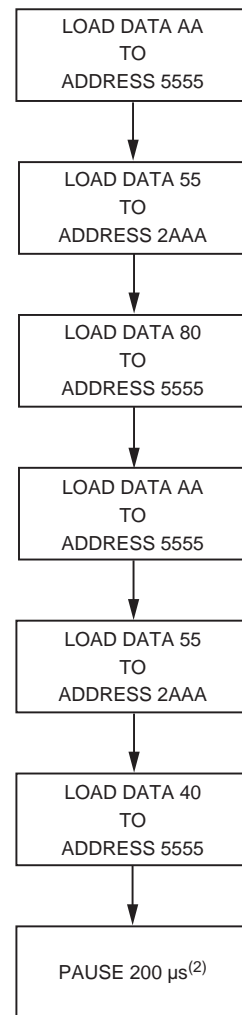


- Notes: 1. Toggling either  $\overline{OE}$  or  $\overline{CE}$  or both  $\overline{OE}$  and  $\overline{CE}$  will operate toggle bit. The  $t_{OEHP}$  specification must be met by the toggling input(s).  
2. Beginning and ending state of I/O6 will vary.  
3. Any address location may be used but the address should not vary.

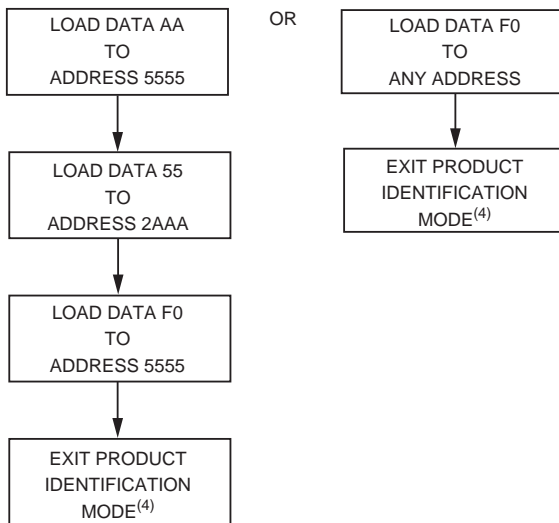
## Software Product Identification Entry<sup>(1)</sup>



## Sector Lockout Enable Algorithm<sup>(1)</sup>



## Software Product Identification Exit<sup>(1)(6)</sup>



- Notes:
1. Data Format: I/O15 - I/O8 (Don't Care); I/O7 - I/O0 (Hex) Address Format: A15 - A0 (Hex), A-1, and A15 - A18 (Don't Care).
  2. Sector lockout feature enabled.

- Notes:
1. Data Format: I/O15 - I/O8 (Don't Care); I/O7 - I/O0 (Hex) Address Format: A15 - A0 (Hex), A-1, and A15 - A18 (Don't Care).
  2. A1 - A18 =  $V_{IL}$ .  
Manufacture Code is read for A0 =  $V_{IL}$ ;  
Device Code is read for A0 =  $V_{IH}$ .
  3. The device does not remain in identification mode if powered down.
  4. The device returns to standard operation mode.
  5. Manufacturer Code: 1FH (x8); 001FH (x16)
  6. Device Code: 00CBH - AT49BV8011;  
004AH - AT49BV8011T.
  7. Either one of the Product ID Exit commands can be used.

## Status Bit Table

|   | Status Bit        |                   |         |         |         |         |
|---|-------------------|-------------------|---------|---------|---------|---------|
|   | I/O 7             |                   | I/O 6   |         | I/O 2   |         |
|   | Plane A           | Plane B           | Plane A | Plane B | Plane A | Plane B |
| Read Address In   |                   |                   |         |         |         |         |
| While   |                   |                   |         |         |         |         |
| Programming in Plane A                                  | $\overline{I/O7}$ | DATA              | TOGGLE  | DATA    | 1       | DATA    |
| Programming in Plane B                                  | DATA              | $\overline{I/O7}$ | DATA    | TOGGLE  | DATA    | 1       |
| Erasing in Plane A                                      | 0                 | DATA              | TOGGLE  | DATA    | TOGGLE  | DATA    |
| Erasing in Plane B                                      | DATA              | 0                 | DATA    | TOGGLE  | DATA    | TOGGLE  |
| Erase Suspended & Read Erasing Sector                   | 1                 | 1                 | 1       | 1       | TOGGLE  | TOGGLE  |
| Erase Suspended & Read Non-Erasing Sector               | DATA              | DATA              | DATA    | DATA    | DATA    | DATA    |
| Erase Suspended & Program Erasing Sector                | 1                 | 1                 | 1       | 1       | TOGGLE  | TOGGLE  |
| Erase Suspended & Program Non-Erasing Sector in Plane A | $\overline{I/O7}$ | DATA              | TOGGLE  | DATA    | TOGGLE  | DATA    |
| Erase Suspended & Program Non-Erasing Sector in Plane B | DATA              | $\overline{I/O7}$ | DATA    | TOGGLE  | DATA    | TOGGLE  |



## AT49F8011(T) Ordering Information

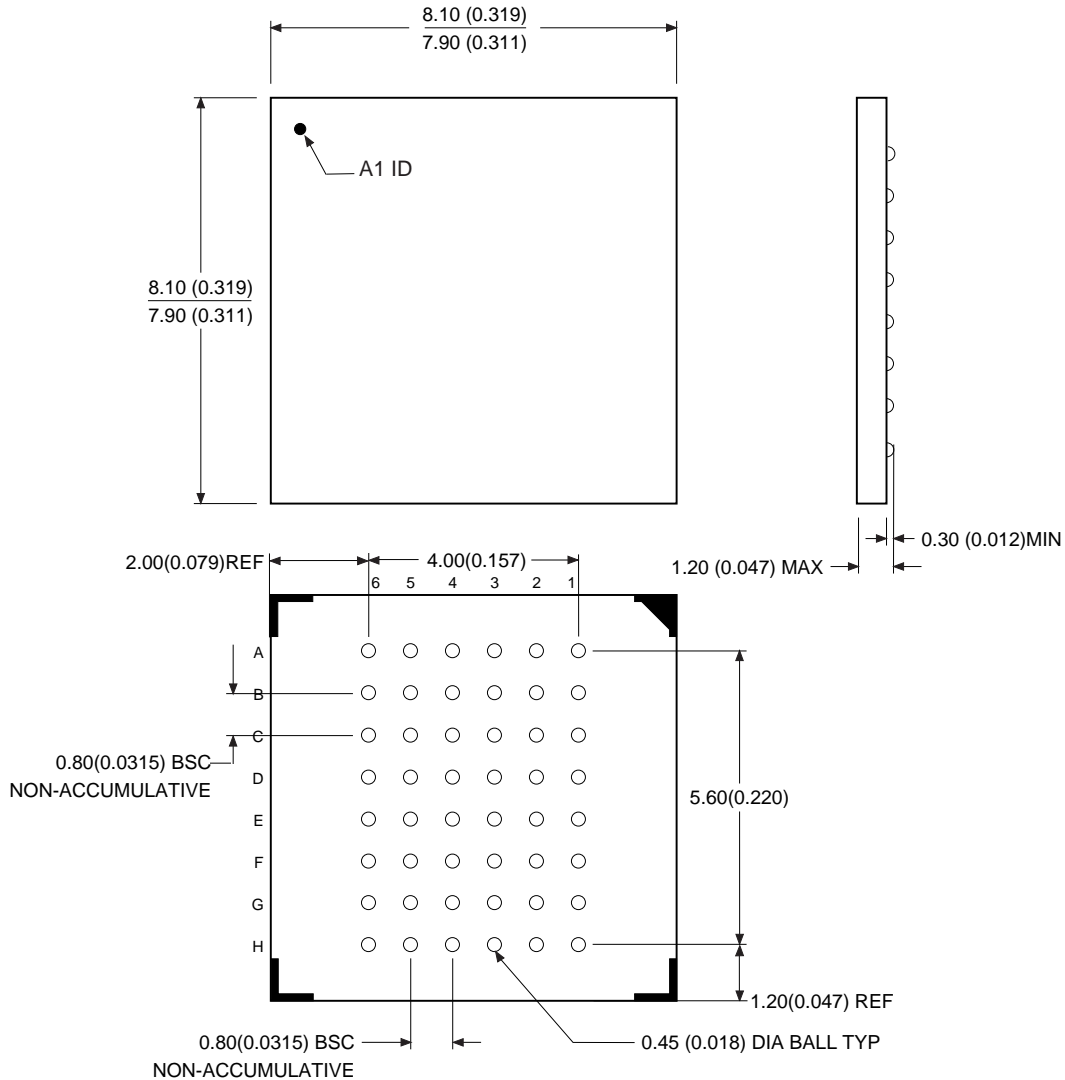
| t <sub>ACC</sub><br>(ns) | I <sub>CC</sub> (mA) |         | Ordering Code                      | Package     | Operation Range                 |
|--------------------------|----------------------|---------|------------------------------------|-------------|---------------------------------|
|                          | Active               | Standby |                                    |             |                                 |
| 70                       | 40                   | 0.01    | AT49F8011-70CC<br>AT49F8011-70TC   | 48C3<br>48T | Commercial<br>(0° C to 70° C)   |
|                          | 40                   | 0.01    | AT49F8011-70CI<br>AT49F8011-70TI   | 48C3<br>48T | Industrial<br>(-40° C to 85° C) |
| 90                       | 40                   | 0.01    | AT49F8011-90CC<br>AT49F8011-90TC   | 48C3<br>48T | Commercial<br>(0° C to 70° C)   |
|                          | 40                   | 0.01    | AT49F8011-90CI<br>AT49F8011-90TI   | 48C3<br>48T | Industrial<br>(-40° C to 85° C) |
| 70                       | 40                   | 0.01    | AT49F8011T-70CC<br>AT49F8011T-70TC | 48C3<br>48T | Commercial<br>(0° C to 70° C)   |
|                          | 40                   | 0.01    | AT49F8011T-70CI<br>AT49F8011T-70TI | 48C3<br>48T | Industrial<br>(-40° C to 85° C) |
| 90                       | 40                   | 0.01    | AT49F8011T-90CC<br>AT49F8011T-90TC | 48C3<br>48T | Commercial<br>(0° C to 70° C)   |
|                          | 40                   | 0.01    | AT49F8011T-90CI<br>AT49F8011T-90TI | 48C3<br>48T | Industrial<br>(-40° C to 85° C) |

| Package Type |   |
|--------------|---|
| <b>48C3</b>  | 48-ball, Plastic Chip-Size Ball Grid Array Package (CBGA) |
| <b>48T</b>   | 48-lead, Thin Small Outline Package (TSOP)                |

# Packaging Information

## 48C3 – CBGA

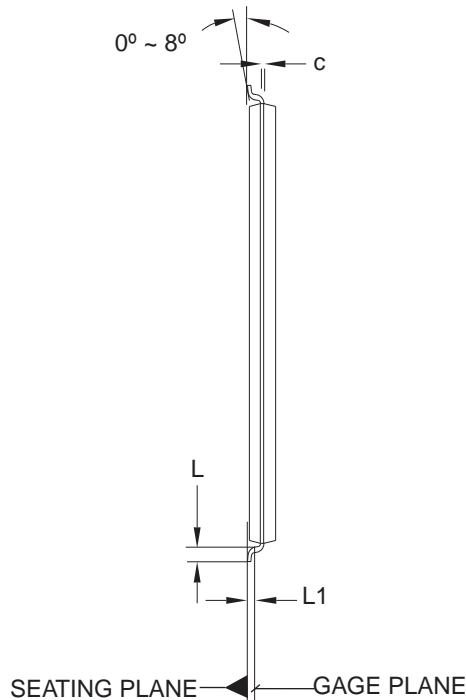
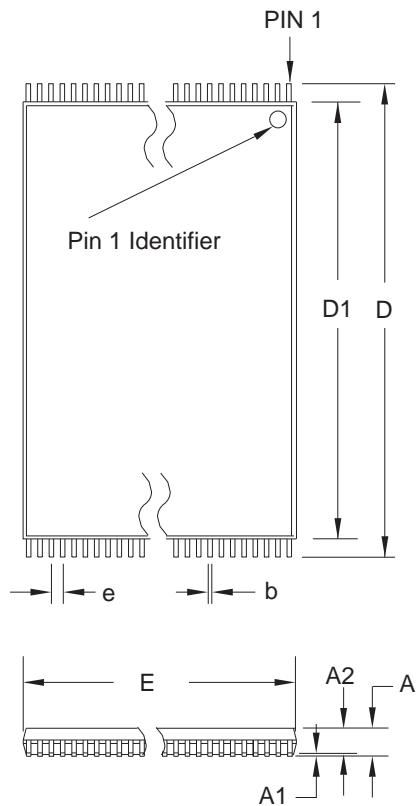
48C3, 48-ball (6 x 8 Array), 0.80 mm Pitch, 8 x 8 x 1.2 mm  
 Chip-scale Ball Grid Array Package (CBGA)  
 Dimensions in Millimeters and (Inches)\*



\*Controlling dimension: millimeters

REV. A 04/11/2001

48T – TSOP



**COMMON DIMENSIONS**  
(Unit of Measure = mm)

| SYMBOL | MIN        | NOM   | MAX   | NOTE   |
|--------|------------|-------|-------|--------|
| A      | –          | –     | 1.20  |        |
| A1     | 0.05       | –     | 0.15  |        |
| A2     | 0.95       | 1.00  | 1.05  |        |
| D      | 19.80      | 20.00 | 20.20 |        |
| D1     | 18.30      | 18.40 | 18.50 | Note 2 |
| E      | 11.90      | 12.00 | 12.10 | Note 2 |
| L      | 0.50       | 0.60  | 0.70  |        |
| L1     | 0.25 BASIC |       |       |        |
| b      | 0.17       | 0.22  | 0.27  |        |
| c      | 0.10       | –     | 0.21  |        |
| e      | 0.50 BASIC |       |       |        |

- Notes:
1. This package conforms to JEDEC reference MO-142, Variation DD.
  2. Dimensions D1 and E do not include mold protrusion. Allowable protrusion on E is 0.15 mm per side and on D1 is 0.25 mm per side.
  3. Lead coplanarity is 0.10 mm maximum.

10/18/01



2325 Orchard Parkway  
San Jose, CA 95131

**TITLE**

**48T**, 48-lead (12 x 20 mm Package) Plastic Thin Small Outline Package, Type I (TSOP)

**DRAWING NO.**

48T

**REV.**

B





## Atmel Corporation

2325 Orchard Parkway  
San Jose, CA 95131  
Tel: 1(408) 441-0311  
Fax: 1(408) 487-2600

## Regional Headquarters

### Europe

Atmel Sarl  
Route des Arsenalux 41  
Case Postale 80  
CH-1705 Fribourg  
Switzerland  
Tel: (41) 26-426-5555  
Fax: (41) 26-426-5500

### Asia

Room 1219  
Chinachem Golden Plaza  
77 Mody Road Tsimshatsui  
East Kowloon  
Hong Kong  
Tel: (852) 2721-9778  
Fax: (852) 2722-1369

### Japan

9F, Tonetsu Shinkawa Bldg.  
1-24-8 Shinkawa  
Chuo-ku, Tokyo 104-0033  
Japan  
Tel: (81) 3-3523-3551  
Fax: (81) 3-3523-7581

## Atmel Operations

### Memory

2325 Orchard Parkway  
San Jose, CA 95131  
Tel: 1(408) 441-0311  
Fax: 1(408) 436-4314

### Microcontrollers

2325 Orchard Parkway  
San Jose, CA 95131  
Tel: 1(408) 441-0311  
Fax: 1(408) 436-4314

La Chantrerie  
BP 70602  
44306 Nantes Cedex 3, France  
Tel: (33) 2-40-18-18-18  
Fax: (33) 2-40-18-19-60

### ASIC/ASSP/Smart Cards

Zone Industrielle  
13106 Rousset Cedex, France  
Tel: (33) 4-42-53-60-00  
Fax: (33) 4-42-53-60-01

1150 East Cheyenne Mtn. Blvd.  
Colorado Springs, CO 80906  
Tel: 1(719) 576-3300  
Fax: 1(719) 540-1759

Scottish Enterprise Technology Park  
Maxwell Building  
East Kilbride G75 0QR, Scotland  
Tel: (44) 1355-803-000  
Fax: (44) 1355-242-743

### RF/Automotive

Theresienstrasse 2  
Postfach 3535  
74025 Heilbronn, Germany  
Tel: (49) 71-31-67-0  
Fax: (49) 71-31-67-2340

1150 East Cheyenne Mtn. Blvd.  
Colorado Springs, CO 80906  
Tel: 1(719) 576-3300  
Fax: 1(719) 540-1759

### Biometrics/Imaging/Hi-Rel MPU/ High Speed Converters/RF Datacom

Avenue de Rochepleine  
BP 123  
38521 Saint-Egreve Cedex, France  
Tel: (33) 4-76-58-30-00  
Fax: (33) 4-76-58-34-80

---

### e-mail

[literature@atmel.com](mailto:literature@atmel.com)

### Web Site

<http://www.atmel.com>

**Disclaimer:** Atmel Corporation makes no warranty for the use of its products, other than those expressly contained in the Company's standard warranty which is detailed in Atmel's Terms and Conditions located on the Company's web site. The Company assumes no responsibility for any errors which may appear in this document, reserves the right to change devices or specifications detailed herein at any time without notice, and does not make any commitment to update the information contained herein. No licenses to patents or other intellectual property of Atmel are granted by the Company in connection with the sale of Atmel products, expressly or by implication. Atmel's products are not authorized for use as critical components in life support devices or systems.

© Atmel Corporation 2003. All rights reserved. Atmel® and combinations thereof are the registered trademarks of Atmel Corporation or its subsidiaries. Other terms and product names may be the trademarks of others.



Printed on recycled paper.

1264D-FLASH-5/03

xM