

## Features

- Single Voltage Operation
  - 5V Read
  - 5V Reprogramming
- Fast Read Access Time - 90 ns
- Internal Program Control and Timer
- 16K Bytes Boot Block With Lockout
- Fast Erase Cycle Time - 10 seconds
- Byte-By-Byte Programming - 10  $\mu$ s/Byte Typical
- Hardware Data Protection
- DATA Polling For End Of Program Detection
- Low Power Dissipation
  - 50 mA Active Current
  - 100  $\mu$ A CMOS Standby Current
- Typical 10,000 Write Cycles

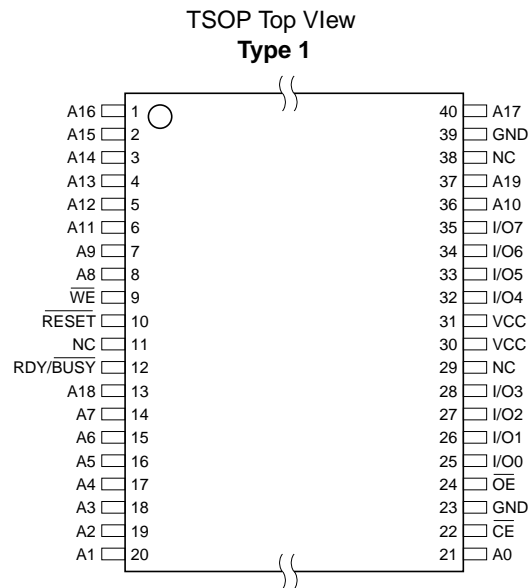
## Description

The AT49F008 is a 5-volt only in-system Flash Memory device. Its 8-megabits of memory is organized as 1,024,576 words by 8-bits. Manufactured with Atmel's advanced nonvolatile CMOS technology, the device offers access times to 90 ns with power dissipation of just 275 mW over the commercial temperature range. When the device is deselected, the CMOS standby current is less than 100  $\mu$ A.

(continued)

## Pin Configurations

| Pin Name               | Function                        |
|------------------------|---------------------------------|
| A0 - A19               | Addresses                       |
| $\overline{CE}$        | Chip Enable                     |
| $\overline{OE}$        | Output Enable                   |
| $\overline{WE}$        | Write Enable                    |
| $\overline{RESET}$     | Reset                           |
| RDY/ $\overline{BUSY}$ | Ready/ $\overline{Busy}$ Output |
| I/O0 - I/O7            | Data Inputs/Outputs             |
| NC                     | No Connect                      |



## 8-Megabit (1M x 8) 5-volt Only Flash Memory

### AT49F008

Recommend using  
AT49F008A(T) for new  
designs.

Rev. 0972B-10/98

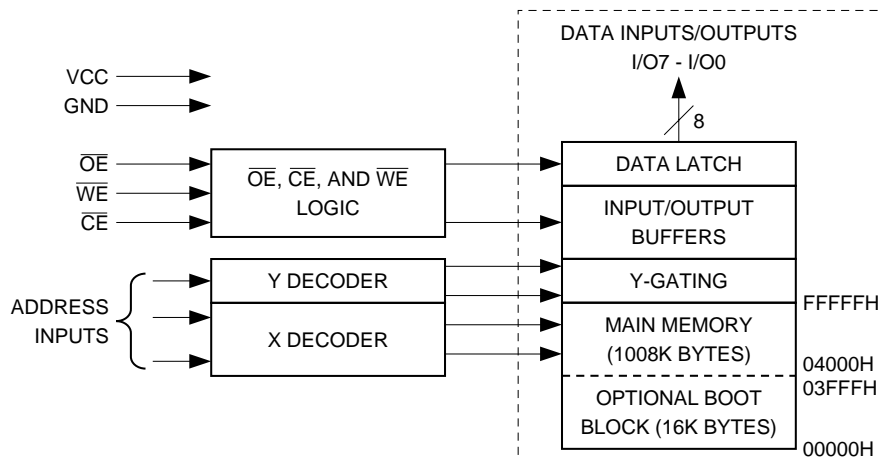


To allow for simple in-system reprogrammability, the AT49F008 does not require high input voltages for programming. 5-volt-only commands determine the read and programming operation of the device. Reading data out of the device is similar to reading from an EPROM. Reprogramming the AT49F008 is performed by erasing the entire 8 megabits of memory and then programming on a byte-by-byte basis. The typical byte programming time is a fast 10  $\mu$ s. The end of a program cycle can be optionally detected by the  $\overline{\text{DATA}}$  polling feature. Once the end of a byte pro-

gram cycle has been detected, a new access for a read or program can begin. The typical number of program and erase cycles is in excess of 10,000 cycles

The optional 16K bytes boot block section includes a reprogramming write lock out feature to provide data integrity. The boot sector is designed to contain user secure code, and when the feature is enabled, the boot sector is permanently protected from being reprogrammed.

## Block Diagram



## Device Operation

**READ:** The AT49F008 is accessed like an EPROM. When  $\overline{\text{CE}}$  and  $\overline{\text{OE}}$  are low and  $\overline{\text{WE}}$  is high, the data stored at the memory location determined by the address pins is asserted on the outputs. The outputs are put in the high impedance state whenever  $\overline{\text{CE}}$  or  $\overline{\text{OE}}$  is high. This dual-line control gives designers flexibility in preventing bus contention.

**ERASURE:** Before a byte can be reprogrammed, the 1024K bytes memory array (or 1008K bytes if the boot block featured is used) must be erased. The erased state of the memory bits is a logical "1". The entire device can be erased at one time by using a 6-byte software code. The software chip erase code consists of 6-byte load commands to specific address locations with a specific data pattern (please refer to the Chip Erase Cycle Waveforms).

After the software chip erase has been initiated, the device will internally time the erase operation so that no external clocks are required. The maximum time needed to erase the whole chip is  $t_{\text{EC}}$ . If the boot block lockout feature has been enabled, the data in the boot sector will not be erased.

**BYTE PROGRAMMING:** Once the memory array is erased, the device is programmed (to a logical "0") on a byte-by-byte basis. Please note that a data "0" cannot be

programmed back to a "1"; only erase operations can convert "0"s to "1"s. Programming is accomplished via the internal device command register and is a 4 bus cycle operation (please refer to the Command Definitions table). The device will automatically generate the required internal program pulses.

The program cycle has addresses latched on the falling edge of  $\overline{\text{WE}}$  or  $\overline{\text{CE}}$ , whichever occurs last, and the data latched on the rising edge of  $\overline{\text{WE}}$  or  $\overline{\text{CE}}$ , whichever occurs first. Programming is completed after the specified  $t_{\text{BP}}$  cycle time. The  $\overline{\text{DATA}}$  polling feature may also be used to indicate the end of a program cycle.

**BOOT BLOCK PROGRAMMING LOCKOUT:** The device has one designated block that has a programming lockout feature. This feature prevents programming of data in the designated block once the feature has been enabled. The size of the block is 16K bytes. This block, referred to as the boot block, can contain secure code that is used to bring up the system. Enabling the lockout feature will allow the boot code to stay in the device while data in the rest of the device is updated. This feature does not have to be activated; the boot block's usage as a write protected region is optional to the user. The address range of the AT49F008 boot block is 00000H to 03FFFFH.

To activate the lockout feature, a series of six program commands to specific addresses with specific data must be performed. Please refer to the Command Definitions table.

**BOOT BLOCK LOCKOUT DETECTION:** A software method is available to determine if programming of the boot block section is locked out. When the device is in the software product identification mode (see Software Product Identification Entry and Exit sections) a read from address location 00002H will show if programming the boot block is locked out. If the data on I/O0 is low, the boot block can be programmed; if the data on I/O0 is high, the program lockout feature has been activated and the block cannot be programmed. The software product identification exit code should be used to return to standard operation.

**BOOT BLOCK PROGRAMMING LOCKOUT OVERRIDE:** The user can override the boot block programming lockout by taking the  $\overline{\text{RESET}}$  pin to  $12\text{V} \pm 0.5\text{V}$ . By doing this, protected boot block data can be altered through a chip erase, or byte programming. When the  $\overline{\text{RESET}}$  pin is brought back to TTL levels, the boot block programming lockout feature is again active.

**PRODUCT IDENTIFICATION:** The product identification mode identifies the device and manufacturer as Atmel. It may be accessed by hardware or software operation. The hardware operation mode can be used by an external programmer to identify the correct programming algorithm for the Atmel product.

For details, see Operating Modes (for hardware operation) or Software Product Identification. The manufacturer and device code is the same for both modes.

**DATA POLLING:** The AT49F008 features  $\overline{\text{DATA}}$  polling to indicate the end of a program cycle. During a program cycle an attempted read of the last byte loaded will result in the complement of the loaded data on I/O7. Once the program cycle has been completed, true data is valid on all outputs and the next cycle may begin.  $\overline{\text{DATA}}$  polling may begin at any time during the program cycle.

**TOGGLE BIT:** In addition to  $\overline{\text{DATA}}$  polling, the AT49F008 provides another method for determining the end of a program or erase cycle. During a program or erase operation, successive attempts to read data from the device will result in I/O6 toggling between one and zero. Once the program cycle has completed, I/O6 will stop toggling and valid data will be read. Examining the toggle bit may begin at any time during a program cycle.

**RDY/BUSY:** An open drain  $\overline{\text{RDY/BUSY}}$  output pin provides another method of detecting the end of a program or erase operation.  $\overline{\text{RDY/BUSY}}$  is actively pulled low during the internal program and erase cycles and is released at the completion of the cycle. The open drain connection allows for OR - tying of several devices to the same  $\overline{\text{RDY/BUSY}}$  line.

**RESET:** A  $\overline{\text{RESET}}$  input pin is provided to ease some system applications. When  $\overline{\text{RESET}}$  is at a logic high level, the device is in its standard operating mode. A low level on the  $\overline{\text{RESET}}$  input halts the present device operation, puts the outputs of the device in a high impedance state, and reduces the current drawn by the part to a minimum. If the  $\overline{\text{RESET}}$  pin makes a high to low transition during a program or erase operation, the operation may not be successfully completed and the operation will have to be repeated after a high level is applied to the  $\overline{\text{RESET}}$  pin. When a high level is reasserted on the  $\overline{\text{RESET}}$  pin, the device returns to the read or standby mode, depending upon the state of the control inputs. By applying a  $12\text{V} \pm 0.5\text{V}$  input signal to the  $\overline{\text{RESET}}$  pin, the boot block array can be reprogrammed even if the boot block lockout feature has been enabled (see Boot Block Programming Lockout Override section).

**HARDWARE DATA PROTECTION:** Hardware features protect against inadvertent programs to the AT49F008 in the following ways: (a)  $V_{\text{CC}}$  sense: if  $V_{\text{CC}}$  is below 3.8V (typical), the program function is inhibited. (b) Program inhibit: holding any one of  $\overline{\text{OE}}$  low,  $\overline{\text{CE}}$  high or  $\overline{\text{WE}}$  high inhibits program cycles. (c) Noise filter: pulses of less than 15 ns (typical) on the  $\overline{\text{WE}}$  or  $\overline{\text{CE}}$  inputs will not initiate a program cycle.

## Command Definition (in Hex)

| Command Sequence                  | Bus Cycles | 1st Bus Cycle |                  | 2nd Bus Cycle |      | 3rd Bus Cycle |      | 4th Bus Cycle |                 | 5th Bus Cycle |      | 6th Bus Cycle |      |
|-----------------------------------|------------|---------------|------------------|---------------|------|---------------|------|---------------|-----------------|---------------|------|---------------|------|
|                                   |            | Addr          | Data             | Addr          | Data | Addr          | Data | Addr          | Data            | Addr          | Data | Addr          | Data |
| Read                              | 1          | Addr          | D <sub>OUT</sub> |               |      |               |      |               |                 |               |      |               |      |
| Chip Erase                        | 6          | 5555          | AA               | 2AAA          | 55   | 5555          | 80   | 5555          | AA              | 2AAA          | 55   | 5555          | 10   |
| Byte Program                      | 4          | 5555          | AA               | 2AAA          | 55   | 5555          | A0   | Addr          | D <sub>IN</sub> |               |      |               |      |
| Boot Block Lockout <sup>(1)</sup> | 6          | 5555          | AA               | 2AAA          | 55   | 5555          | 80   | 5555          | AA              | 2AAA          | 55   | 5555          | 40   |
| Product ID Entry                  | 3          | 5555          | AA               | 2AAA          | 55   | 5555          | 90   |               |                 |               |      |               |      |
| Product ID Exit <sup>(2)</sup>    | 3          | 5555          | AA               | 2AAA          | 55   | 5555          | F0   |               |                 |               |      |               |      |
| Product ID Exit <sup>(2)</sup>    | 1          | XXXX          | F0               |               |      |               |      |               |                 |               |      |               |      |

Notes: 1. The 16K byte boot sector has the address range 00000H to 03FFFH.

2. Either one of the Product ID Exit commands can be used.

## Absolute Maximum Ratings\*

|   |                                 |
|---|---------------------------------|
| Temperature Under Bias .....  | -55°C to +125°C                 |
| Storage Temperature .....   | -65°C to +150°C                 |
| All Input Voltages<br>(including NC Pins)<br>with Respect to Ground ..... | -0.6V to +6.25V                 |
| All Output Voltages<br>with Respect to Ground .....                       | -0.6V to V <sub>CC</sub> + 0.6V |
| Voltage on $\overline{OE}$<br>with Respect to Ground .....                | -0.6V to +13.5V                 |

\*NOTICE: Stresses beyond those listed under “Absolute Maximum Ratings” may cause permanent damage to the device. This is a stress rating only and functional operation of the device at these or any other conditions beyond those indicated in the operational sections of this specification is not implied. Exposure to absolute maximum rating conditions for extended periods may affect device reliability.

## DC and AC Operating Range

|                              |      | AT49F008-90  | AT49F008-12  | AT49F008-15  |
|------------------------------|------|--------------|--------------|--------------|
| Operating Temperature (Case) | Com. | 0°C - 70°C   | 0°C - 70°C   | 0°C - 70°C   |
|                              | Ind. | -40°C - 85°C | -40°C - 85°C | -40°C - 85°C |
| V <sub>CC</sub> Power Supply |      | 5V ± 10%     | 5V ± 10%     | 5V ± 10%     |

## Operating Modes

| Mode                    | CE              | OE               | WE              | RESET           | Ai   | I/O                              | RDY/BUSY        |
|-------------------------|-----------------|------------------|-----------------|-----------------|--|----------------------------------|-----------------|
| Read                    | V <sub>IL</sub> | V <sub>IL</sub>  | V <sub>IH</sub> | V <sub>IH</sub> | Ai   | D <sub>OUT</sub>                 | V <sub>OH</sub> |
| Program <sup>(2)</sup>  | V <sub>IL</sub> | V <sub>IH</sub>  | V <sub>IL</sub> | V <sub>IH</sub> | Ai   | D <sub>IN</sub>                  | V <sub>OL</sub> |
| Standby/Write Inhibit   | V <sub>IH</sub> | X <sup>(1)</sup> | X               | V <sub>IH</sub> | X  | High Z                           | V <sub>OH</sub> |
| Program Inhibit         | X               | X                | V <sub>IH</sub> | V <sub>IH</sub> |  |                                  | V <sub>OH</sub> |
| Program Inhibit         | X               | V <sub>IL</sub>  | X               | V <sub>IH</sub> |  |                                  | V <sub>OH</sub> |
| Output Disable          | X               | V <sub>IH</sub>  | X               | V <sub>IH</sub> |  | High Z                           | V <sub>OH</sub> |
| RESET                   | X               | X                | X               | V <sub>IL</sub> | X  | High Z                           |                 |
| Product Identification  |                 |                  |                 |                 |  |                                  |                 |
| Hardware                | V <sub>IL</sub> | V <sub>IL</sub>  | V <sub>IH</sub> | V <sub>IH</sub> | A1 - A19 = V <sub>IL</sub> , A9 = V <sub>H</sub> <sup>(3)</sup> , A0 = V <sub>IL</sub> | Manufacturer Code <sup>(4)</sup> |                 |
|                         |                 |                  |                 |                 | A1 - A19 = V <sub>IL</sub> , A9 = V <sub>H</sub> <sup>(3)</sup> , A0 = V <sub>IH</sub> | Device Code <sup>(4)</sup>       |                 |
| Software <sup>(5)</sup> |                 |                  |                 |                 | A0 = V <sub>IL</sub> , A1 - A19 = V <sub>IL</sub>                                      | Manufacturer Code <sup>(4)</sup> |                 |
|                         |                 |                  |                 |                 | A0 = V <sub>IH</sub> , A1 - A19 = V <sub>IL</sub>                                      | Device Code <sup>(4)</sup>       |                 |

- Notes:
- X can be V<sub>IL</sub> or V<sub>IH</sub>.
  - Refer to AC Programming Waveforms.
  - V<sub>H</sub> = 12.0V ± 0.5V
  - Manufacturer Code: 1FH, Device Code: 22H
  - See details under Software Product Identification Entry/Exit.

## DC Characteristics

| Symbol                         | Parameter                            | Condition   | Min  | Max  | Units |
|--------------------------------|--------------------------------------|---|------|------|-------|
| I <sub>LI</sub>                | Input Load Current                   | V <sub>IN</sub> = 0V to V <sub>CC</sub>           |      | 10   | μA    |
| I <sub>LO</sub>                | Output Leakage Current               | V <sub>I/O</sub> = 0V to V <sub>CC</sub>          |      | 10   | μA    |
| I <sub>PD</sub>                | Power Down Current                   | RESET = GND ± 0.2V                                |      | 100  | μA    |
| I <sub>SB1</sub>               | V <sub>CC</sub> Standby Current CMOS | CE = V <sub>CC</sub> - 0.3V to V <sub>CC</sub>    | Com. | 100  | μA    |
|                                |                                      |   | Ind. | 300  | μA    |
| I <sub>SB2</sub>               | V <sub>CC</sub> Standby Current TTL  | CE = 2.0V to V <sub>CC</sub>                      |      | 3    | mA    |
| I <sub>CC</sub> <sup>(1)</sup> | V <sub>CC</sub> Active Current       | f = 5 MHz; I <sub>OUT</sub> = 0 mA                |      | 50   | mA    |
| V <sub>IL</sub>                | Input Low Voltage                    |   |      | 0.8  | V     |
| V <sub>IH</sub>                | Input High Voltage                   |   | 2.0  |      | V     |
| V <sub>OL</sub>                | Output Low Voltage                   | I <sub>OL</sub> = 2.1 mA                          |      | 0.45 | V     |
| V <sub>OH1</sub>               | Output High Voltage                  | I <sub>OH</sub> = -400 μA                         | 2.4  |      | V     |
| V <sub>OH2</sub>               | Output High Voltage CMOS             | I <sub>OH</sub> = -100 μA; V <sub>CC</sub> = 4.5V | 4.2  |      | V     |

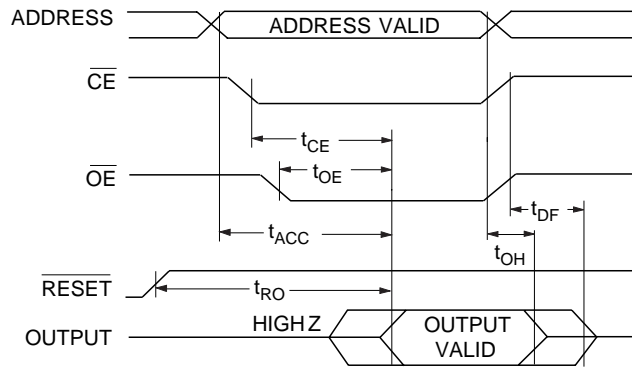
- Note: 1. I<sub>CC</sub> in the erase mode is 90 mA.



## AC Read Characteristics

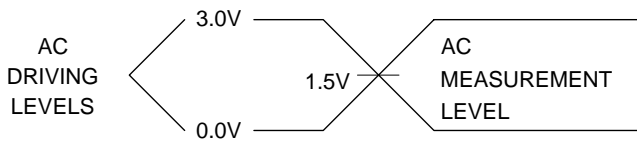
| Symbol            | Parameter   | AT49F008-90 |     | AT49F008-12 |     | AT49F008-15 |     | Units |
|-------------------|---|-------------|-----|-------------|-----|-------------|-----|-------|
|                   |   | Min         | Max | Min         | Max | Min         | Max |       |
| $t_{ACC}$         | Address to Output Delay   |             | 90  |             | 120 |             | 150 | ns    |
| $t_{CE}^{(1)}$    | $\overline{CE}$ to Output Delay   |             | 90  |             | 120 |             | 150 | ns    |
| $t_{OE}^{(2)}$    | $\overline{OE}$ to Output Delay   | 0           | 40  | 0           | 50  | 0           | 70  | ns    |
| $t_{DF}^{(3)(4)}$ | $\overline{CE}$ or $\overline{OE}$ to Output Float                                      | 0           | 25  | 0           | 30  | 0           | 40  | ns    |
| $t_{OH}$          | Output Hold from $\overline{OE}$ , $\overline{CE}$ or Address, whichever occurred first | 0           |     | 0           |     | 0           |     | ns    |
| $t_{RO}$          | $\overline{RESET}$ to Output Delay  |             | 800 |             | 800 |             | 800 | ns    |

## AC Read Waveforms



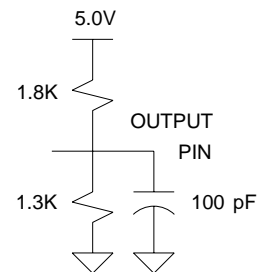
- Notes:
- $\overline{CE}$  may be delayed up to  $t_{ACC} - t_{CE}$  after the address transition without impact on  $t_{ACC}$ .
  - $\overline{OE}$  may be delayed up to  $t_{CE} - t_{OE}$  after the falling edge of  $\overline{CE}$  without impact on  $t_{CE}$  or by  $t_{ACC} - t_{OE}$  after an address change without impact on  $t_{ACC}$ .
  - $t_{DF}$  is specified from  $\overline{OE}$  or  $\overline{CE}$  whichever occurs first (CL = 5 pF).
  - This parameter is characterized and is not 100% tested.

## Input Test Waveforms and Measurement level



$t_R, t_F < 5$  ns

## Output Test Load



## Pin Capacitance

$f = 1$  MHz,  $T = 25^\circ$  C<sup>(1)</sup>

| Symbol    | Typ | Max | Units | Conditions     |
|-----------|-----|-----|-------|----------------|
| $C_{IN}$  | 4   | 6   | pF    | $V_{IN} = 0V$  |
| $C_{OUT}$ | 8   | 12  | pF    | $V_{OUT} = 0V$ |

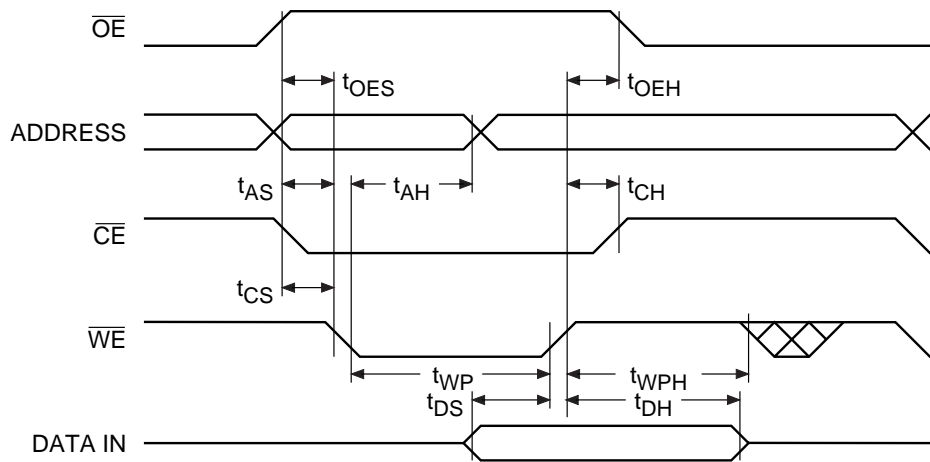
Note: 1. This parameter is characterized and is not 100% tested.

### AC Byte Load Characteristics

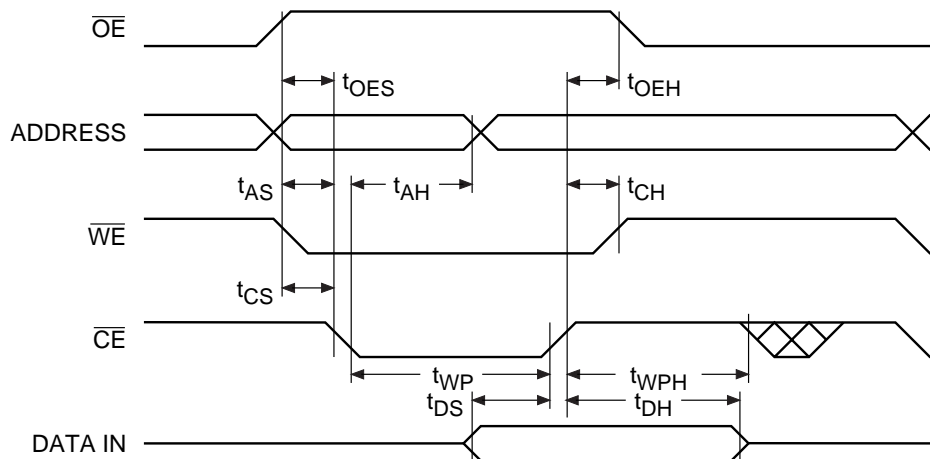
| Symbol            | Parameter  | Min | Max | Units |
|-------------------|--|-----|-----|-------|
| $t_{AS}, t_{OES}$ | Address, $\overline{OE}$ Set-up Time                     | 0   |     | ns    |
| $t_{AH}$          | Address Hold Time  | 50  |     | ns    |
| $t_{CS}$          | Chip Select Set-up Time                                  | 0   |     | ns    |
| $t_{CH}$          | Chip Select Hold Time                                    | 0   |     | ns    |
| $t_{WP}$          | Write Pulse Width ( $\overline{WE}$ or $\overline{CE}$ ) | 90  |     | ns    |
| $t_{DS}$          | Data Set-up Time   | 50  |     | ns    |
| $t_{DH}, t_{OEH}$ | Data, $\overline{OE}$ Hold Time                          | 0   |     | ns    |
| $t_{WPH}$         | Write Pulse Width High                                   | 90  |     | ns    |

### AC Byte Load Waveforms

#### $\overline{WE}$ Controlled



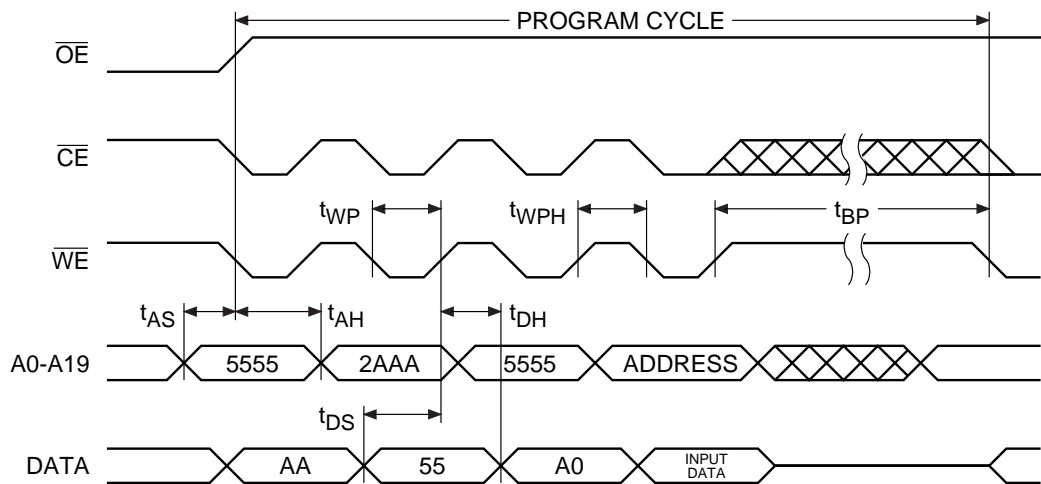
#### $\overline{CE}$ Controlled



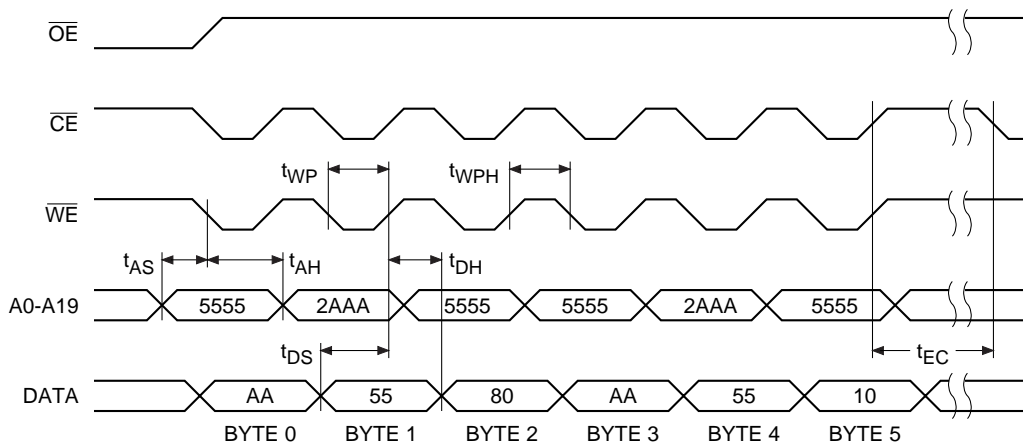
## Program Cycle Characteristics

| Symbol    | Parameter              | Min | Typ | Max | Units         |
|-----------|------------------------|-----|-----|-----|---------------|
| $t_{BP}$  | Byte Programming Time  |     | 10  | 50  | $\mu\text{s}$ |
| $t_{AS}$  | Address Set-up Time    | 0   |     |     | ns            |
| $t_{AH}$  | Address Hold Time      | 50  |     |     | ns            |
| $t_{DS}$  | Data Set-up Time       | 50  |     |     | ns            |
| $t_{DH}$  | Data Hold Time         | 0   |     |     | ns            |
| $t_{WP}$  | Write Pulse Width      | 90  |     |     | ns            |
| $t_{WPH}$ | Write Pulse Width High | 90  |     |     | ns            |
| $t_{EC}$  | Erase Cycle Time       |     |     | 10  | seconds       |

## Program Cycle Waveforms



## Chip Erase Cycle Waveforms



Note:  $\overline{OE}$  must be high only when  $\overline{WE}$  and  $\overline{CE}$  are both low.

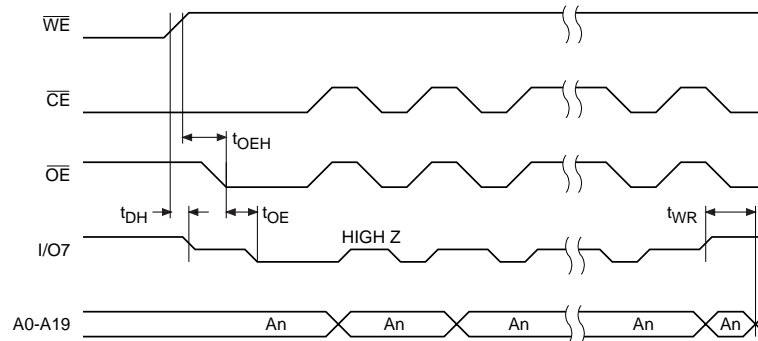


## Data Polling Characteristics<sup>(1)</sup>

| Symbol          | Parameter                                       | Min | Typ | Max | Units |
|-----------------|---|-----|-----|-----|-------|
| $t_{DH}$        | Data Hold Time                                  | 10  |     |     | ns    |
| $t_{OE\bar{H}}$ | $\bar{O}\bar{E}$ Hold Time                      | 10  |     |     | ns    |
| $t_{OE}$        | $\bar{O}\bar{E}$ to Output Delay <sup>(2)</sup> |     |     |     | ns    |
| $t_{WR}$        | Write Recovery Time                             | 0   |     |     | ns    |

- Notes: 1. These parameters are characterized and not 100% tested.  
 2. See  $t_{OE}$  spec in AC Read Characteristics.

## Data Polling Waveforms

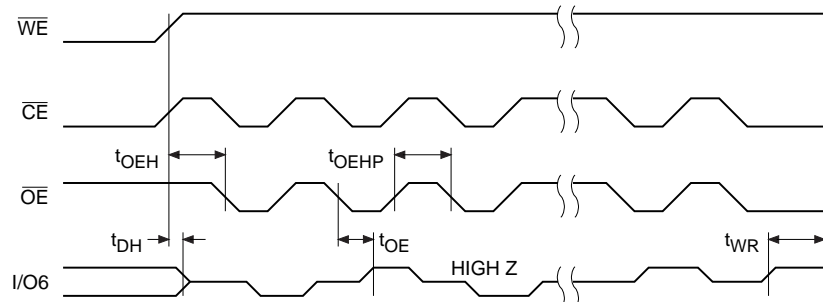


## Toggle Bit Characteristics<sup>(1)</sup>

| Symbol          | Parameter                                       | Min | Typ | Max | Units |
|-----------------|---|-----|-----|-----|-------|
| $t_{DH}$        | Data Hold Time                                  | 10  |     |     | ns    |
| $t_{OE\bar{H}}$ | $\bar{O}\bar{E}$ Hold Time                      | 10  |     |     | ns    |
| $t_{OE}$        | $\bar{O}\bar{E}$ to Output Delay <sup>(2)</sup> |     |     |     | ns    |
| $t_{OEHP}$      | $\bar{O}\bar{E}$ High Pulse                     | 150 |     |     | ns    |
| $t_{WR}$        | Write Recovery Time                             | 0   |     |     | ns    |

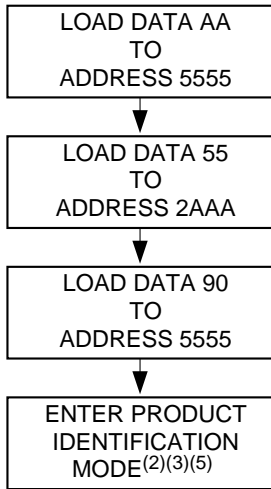
- Notes: 1. These parameters are characterized and not 100% tested.  
 2. See  $t_{OE}$  spec in AC Read Characteristics.

## Toggle Bit Waveforms<sup>(1)(2)(3)</sup>

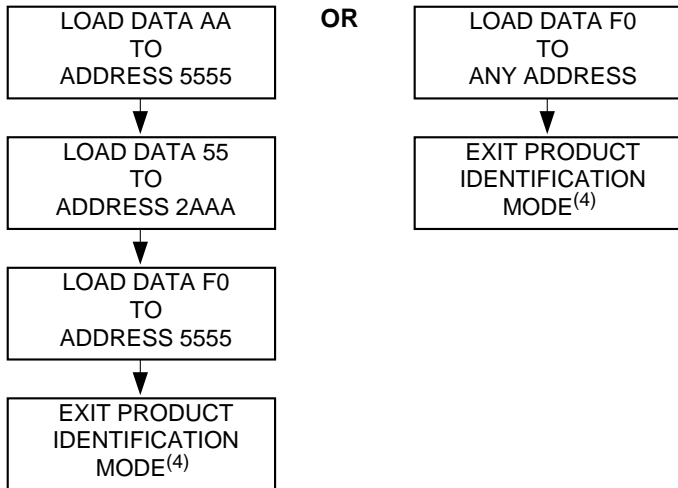


- Notes: 1. Toggling either  $\bar{O}\bar{E}$  or  $\bar{C}\bar{E}$  or both  $\bar{O}\bar{E}$  and  $\bar{C}\bar{E}$  will operate toggle bit. The  $t_{OEHP}$  specification must be met by the toggling input(s).  
 2. Beginning and ending state of I/O6 will vary.  
 3. Any address location may be used but the address should not vary.

## Software Product Identification Entry<sup>(1)</sup>

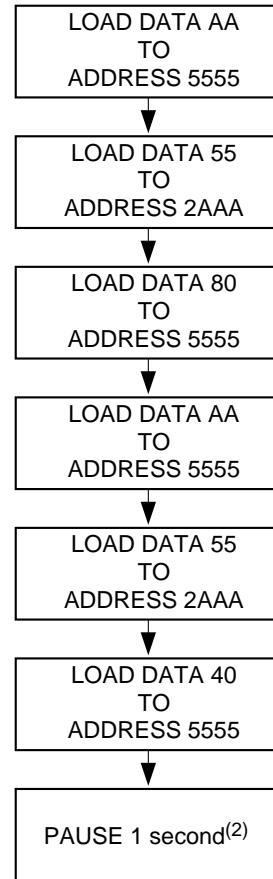


## Software Product Identification Exit<sup>(1)</sup>



- Notes:
1. Data Format: I/O7 - I/O0 (Hex); Address Format: A14 - A0 (Hex).
  2. A1 - A19 =  $V_{IL}$ .  
Manufacture Code is read for A0 =  $V_{IL}$ ;  
Device Code is read for A0 =  $V_{IH}$ .
  3. The device does not remain in identification mode if powered down.
  4. The device returns to standard operation mode.
  5. Manufacturers Code: 1FH  
Device Code: 22H

## Boot Block Lockout Feature Enable Algorithm<sup>(1)</sup>



- Notes:
1. Data Format: I/O7 - I/O0 (Hex); Address Format: A14 - A0 (Hex).
  2. Boot block lockout feature enabled.

## Ordering Information

| t <sub>ACC</sub><br>(ns) | I <sub>CC</sub> (mA) |         | Ordering Code | Package | Operation Range              |
|--------------------------|----------------------|---------|---------------|---------|------------------------------|
|                          | Active               | Standby |               |         |                              |
| 90                       | 50                   | 0.1     | AT49F008-90TC | 40T     | Commercial<br>(0° to 70°C)   |
|                          | 50                   | 0.3     | AT49F008-90TI | 40T     | Industrial<br>(-40° to 85°C) |
| 120                      | 50                   | 0.1     | AT49F008-12TC | 40T     | Commercial<br>(0° to 70°C)   |
|                          | 50                   | 0.3     | AT49F008-12TI | 40T     | Industrial<br>(-40° to 85°C) |
| 150                      | 50                   | 0.1     | AT49F008-15TC | 40T     | Commercial<br>(0° to 70°C)   |
|                          | 50                   | 0.3     | AT49F008-15TI | 40T     | Industrial<br>(-40° to 85°C) |

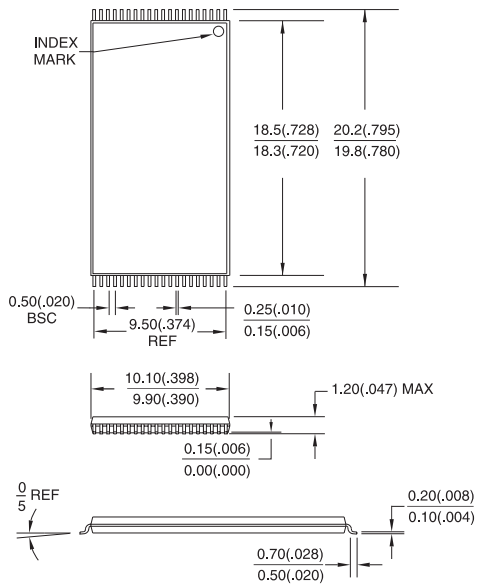
| Package Type |  |
|--------------|--|
| 40T          | 40-Lead, Thin Small Outline Package (TSOP) |



## Packaging Information

### 40T, 40-Lead, Plastic Thin Small Outline Package (TSOP)

Dimensions in Millimeters and (Inches)\*



\*Controlling dimension: millimeters



## Atmel Headquarters

**Corporate Headquarters**  
2325 Orchard Parkway  
San Jose, CA 95131  
TEL (408) 441-0311  
FAX (408) 487-2600

### Europe

Atmel U.K., Ltd.  
Coliseum Business Centre  
Riverside Way  
Camberley, Surrey GU15 3YL  
England  
TEL (44) 1276-686677  
FAX (44) 1276-686697

### Asia

Atmel Asia, Ltd.  
Room 1219  
Chinachem Golden Plaza  
77 Mody Road  
Tsimshatsui East  
Kowloon, Hong Kong  
TEL (852) 27219778  
FAX (852) 27221369

### Japan

Atmel Japan K.K.  
Tonetsu Shinkawa Bldg., 9F  
1-24-8 Shinkawa  
Chuo-ku, Tokyo 104-0033  
Japan  
TEL (81) 3-3523-3551  
FAX (81) 3-3523-7581

## Atmel Operations

**Atmel Colorado Springs**  
1150 E. Cheyenne Mtn. Blvd.  
Colorado Springs, CO 80906  
TEL (719) 576-3300  
FAX (719) 540-1759

### Atmel Rousset

Zone Industrielle  
13106 Rousset Cedex, France  
TEL (33) 4 42 53 60 00  
FAX (33) 4 42 53 60 01

---

### **Fax-on-Demand**

North America:  
1-(800) 292-8635  
International:  
1-(408) 441-0732

### **e-mail**

[literature@atmel.com](mailto:literature@atmel.com)

### **Web Site**

<http://www.atmel.com>

### **BBS**

1-(408) 436-4309

### © Atmel Corporation 1998.

Atmel Corporation makes no warranty for the use of its products, other than those expressly contained in the Company's standard warranty which is detailed in Atmel's Terms and Conditions located on the Company's website. The Company assumes no responsibility for any errors which may appear in this document, reserves the right to change devices or specifications detailed herein at any time without notice, and does not make any commitment to update the information contained herein. No licenses to patents or other intellectual property of Atmel are granted by the Company in connection with the sale of Atmel products, expressly or by implication. Atmel's products are not authorized for use as critical components in life support devices or systems.

Marks bearing ® and/or ™ are registered trademarks and trademarks of Atmel Corporation.

Terms and product names in this document may be trademarks of others.



Printed on recycled paper.

0972B-10/98/xM