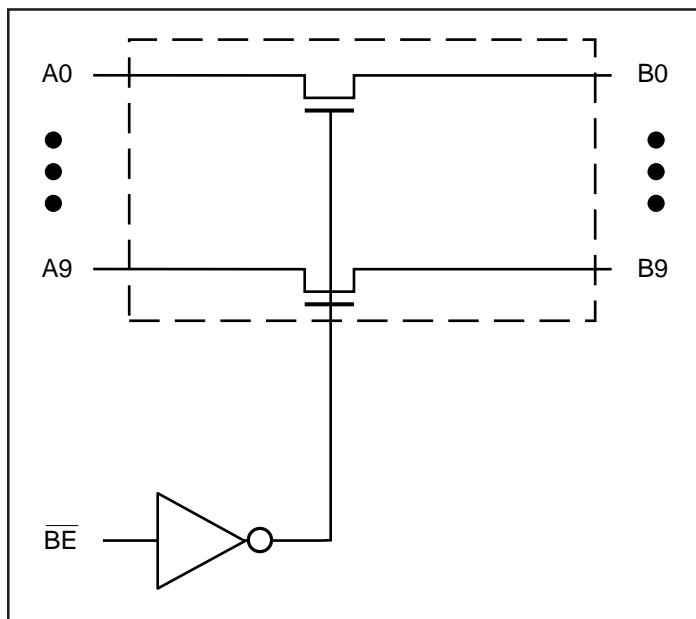
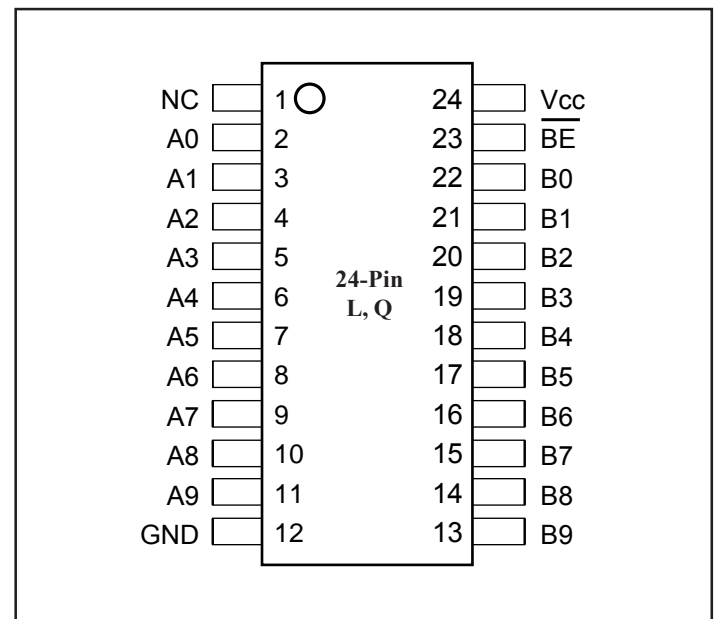


**2.5V/3.3V, High Bandwidth, Hot Insertion,
10-Bit, 2-Port, BusSwitch**
Product Features

- Near zero propagation delay
- 5Ω switches connect inputs to outputs
- High bandwidth (>400 MHz)
- Rail-to-rail 2.5V or 3.3V switching
- 5V I/O Tolerant
- 2.5V Supply Voltage Operation
- Permits Hot-Insertion
- Available Packages:
 - 24-pin 150 mil wide plastic QSOP (Q)
 - 24-pin 173 mil wide plastic TSSOP (L)

Applications

- High bandwidth data switching
- Hot Docking

Logic Block Diagram

Product Pin Configuration

Truth Table⁽¹⁾

Function	\overline{BE}	A0–9
Disconnect	H	Hi-Z
Connect	L	B0–9

Note:

H = High Voltage Level
 L = Low Voltage Level
 Hi-Z = High Impedance

Product Pin Description

Pin Name	Description
\overline{BE}	Bus Enable Input (Active LOW)
A0–9	Bus A
B0–9	Bus B
GND	Ground
VCC	Power

Maximum Ratings

(Above which the useful life may be impaired. For user guidelines, not tested.)

Storage Temperature	-65°C to +150°C
Ambient Temperature with Power Applied	-40°C to +85°C
Supply Voltage to Ground Potential (Inputs & Vcc Only)	-0.5V to +4.6V
Supply Voltage to Ground Potential (Outputs & D/O Only)	-0.5V to +4.6V
DC Input Voltage	-0.5V to +5.5V
DC Output Current	120mA
Power Dissipation	0.5W

Note:

Stresses greater than those listed under MAXIMUM RATINGS may cause permanent damage to the device. This is a stress rating only and functional operation of the device at these or any other conditions above those indicated in the operational sections of this specification is not implied. Exposure to absolute maximum rating conditions for extended periods may affect reliability.

DC Electrical Characteristics (Over Operating Range, T_A = -40°C to +85°C, V_{CC} = 3.3V ±10%)

Parameters	Description	Test Conditions ⁽¹⁾	Min.	Typ ⁽²⁾	Max.	Units
V _{IH}	Input HIGH Voltage	Guaranteed Logic HIGH Level	2.0			V
V _{IL}	Input LOW Voltage	Guaranteed Logic LOW Level	-0.5		0.8	
I _{IH}	Input HIGH Current	V _{CC} = Max., V _{IN} = V _{CC}			±1	
I _{IL}	Input LOW Current	V _{CC} = Max., V _{IN} = GND			±1	μA
I _{OZH}	High Impedance Output Current	0 ≤ A, B ≤ V _{CC}			±1	
V _{IK}	Clamp Diode Voltage	V _{CC} = Min., I _{IN} = -18mA		-0.73	-1.2	V
R _{ON}	Switch On Resistance ⁽⁴⁾	V _{CC} = Min., V _{IN} = 0.0V, I _{ON} = 48mA V _{CC} = Min., V _{IN} = 2.4V, I _{ON} = 15mA		5 8	7 15	Ω

Capacitance (T_A = 25°C, f = 1 MHz)

Parameters ⁽⁵⁾	Description	Test Conditions	Typ	Units
C _{IN}	Input Capacitance	V _{IN} = 0V	3.5	pF
C _{OFF}	A/B Capacitance, Switch Off	V _{IN} = 0V	5.0	
C _{ON}	A/B Capacitance, Switch On	V _{IN} = 0V	10.0	

Notes:

1. For Max. or Min. conditions, use appropriate value specified under Electrical Characteristics for the applicable device type.
2. Typical values are at V_{CC} = 3.3V, T_A = 25°C ambient and maximum loading.
3. Not more than one output should be shorted at one time. Duration of the test should not exceed one second.
4. Measured by the voltage drop between A and B pin at indicated current through the switch. ON resistance is determined by the lower of the voltages on the two (A,B) pins.
5. This parameter is determined by device characterization but is not production tested.

Power Supply Characteristics

Parameters	Description	Test Conditions ⁽¹⁾		Min.	Typ ⁽²⁾	Max.	Units
I _{CC}	Quiescent Power Supply Current	V _{CC} = Max.	V _{IN} = GND or V _{CC}		260	500	μA
ΔI _{CC}	Supply Current per Input @ TTL HIGH	V _{CC} = Max.	V _{IN} = 3.0V ⁽³⁾			750	

Notes:

1. For Max. or Min. conditions, use appropriate value specified under Electrical Characteristics for the applicable device.
2. Typical values are at V_{CC} = 3.3V, +25°C ambient.
3. Per TTL driven input (control input only); A and B pins do not contribute to I_{CC}.
4. This current applies to the control inputs only and represent the current required to switch internal capacitance at the specified frequency. The A and B inputs generate no significant AC or DC currents as they transition. This parameter is not tested, but is guaranteed by design.

Switching Characteristics over 3.3V Operating Range

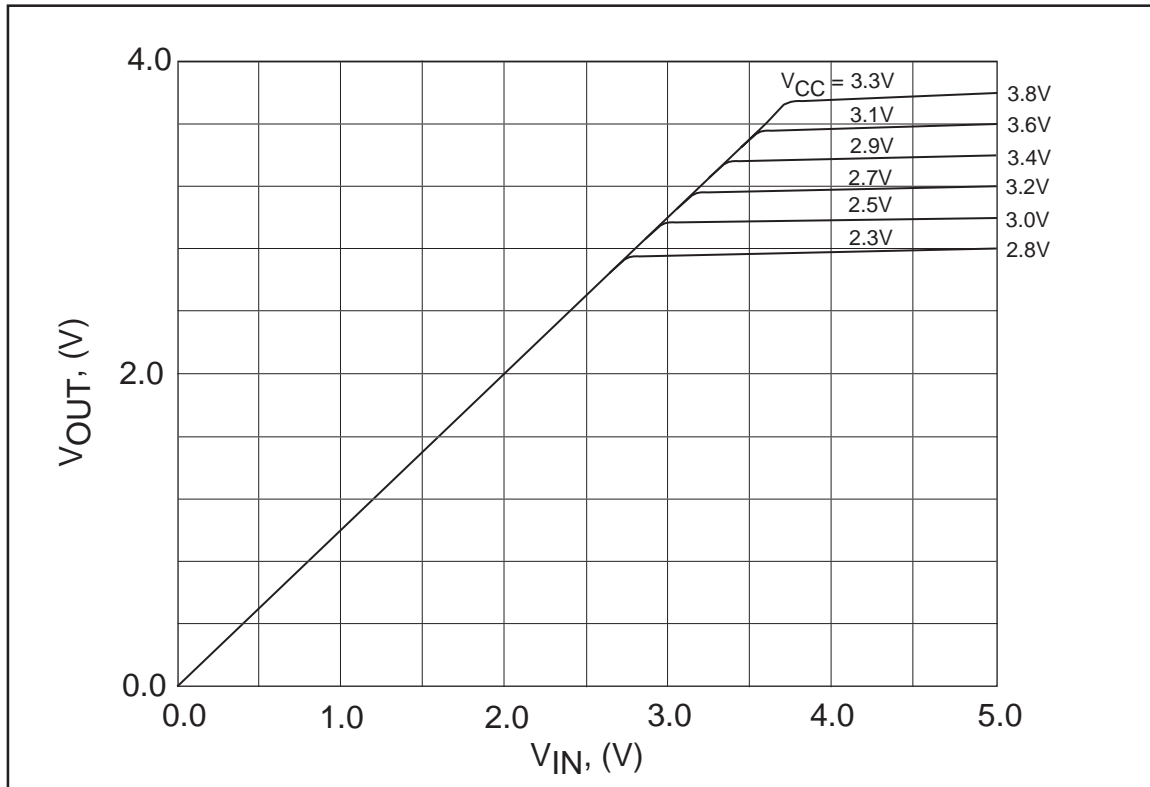
			PI3C3861		
			Com.		
Parameters	Description	Conditions	Min.	Max.	Units
t _{PLH} t _{PHL}	Propagation Delay ^(2,3) Ax to Bx, Bx to Ax	C _L = 50pF, R _L = 500Ω		0.25	ns
t _{PZH} t _{PZL}	Bus Enable Time BE to Ax or Bx		1.5	6.5	
t _{PHZ} t _{PLZ}	Bus Disable Time BE to Ax or Bx		1.5	5.5	

Switching Characteristics over 2.5V Operating Range

			PI3C3861		
			Com.		
Parameters	Description	Conditions	Min.	Max.	Units
t _{PLH} t _{PHL}	Propagation Delay ^(2,3) Ax to Bx, Bx to Ax	C _L = 50pF, R _L = 500Ω		0.25	ns
t _{PZH} t _{PZL}	Bus Enable Time BE to Ax or Bx		1.5	9.8	
t _{PHZ} t _{PLZ}	Bus Disable Time BE to Ax or Bx		1.5	8.3	

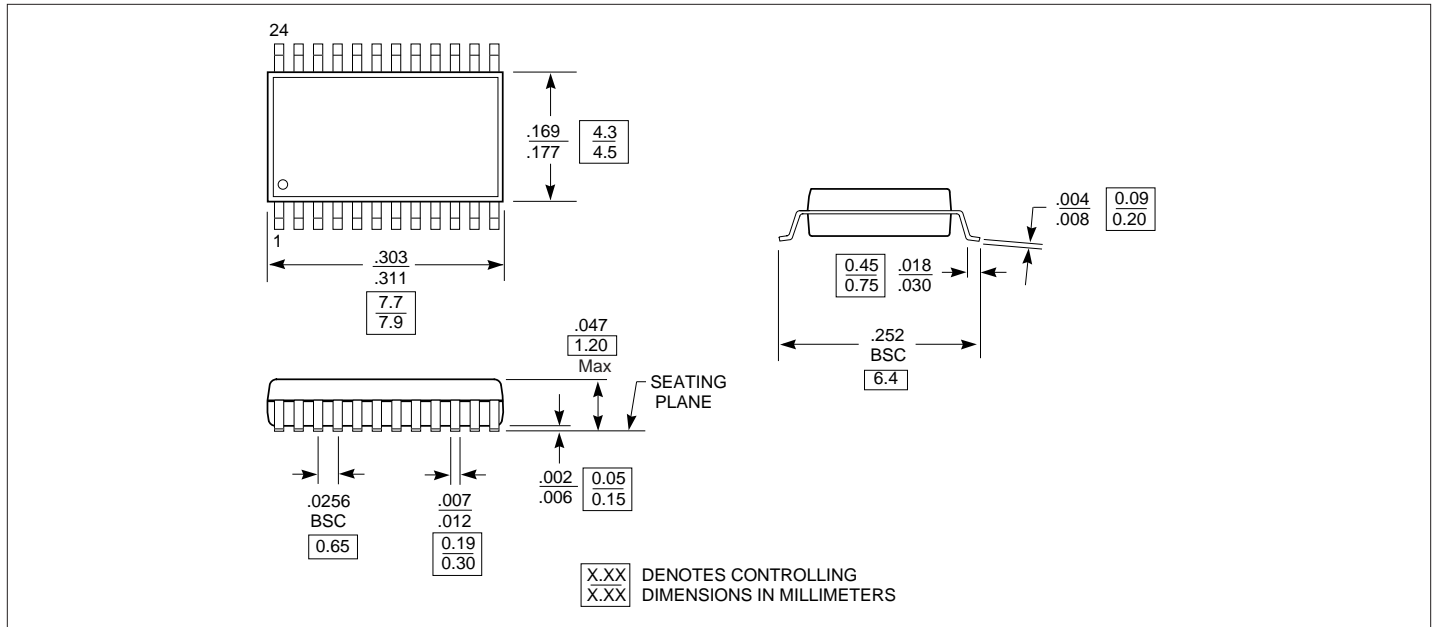
Notes:

1. See test circuit and waveforms.
2. This parameter is guaranteed but not tested on Propagation Delays.
3. The bus switch contributes no propagational delay other than the RC delay of the ON resistance of the switch and the load capacitance. The time constant for the switch alone is of the order of 0.25ns for 50pF load. Since this time constant is much smaller than the rise/fall times of typical driving signals, it adds very little propagational delay to the system. Propagational delay of the bus switch when used in a system is determined by the driving circuit on the driving side of the switch and its interaction with the load on the driven side.

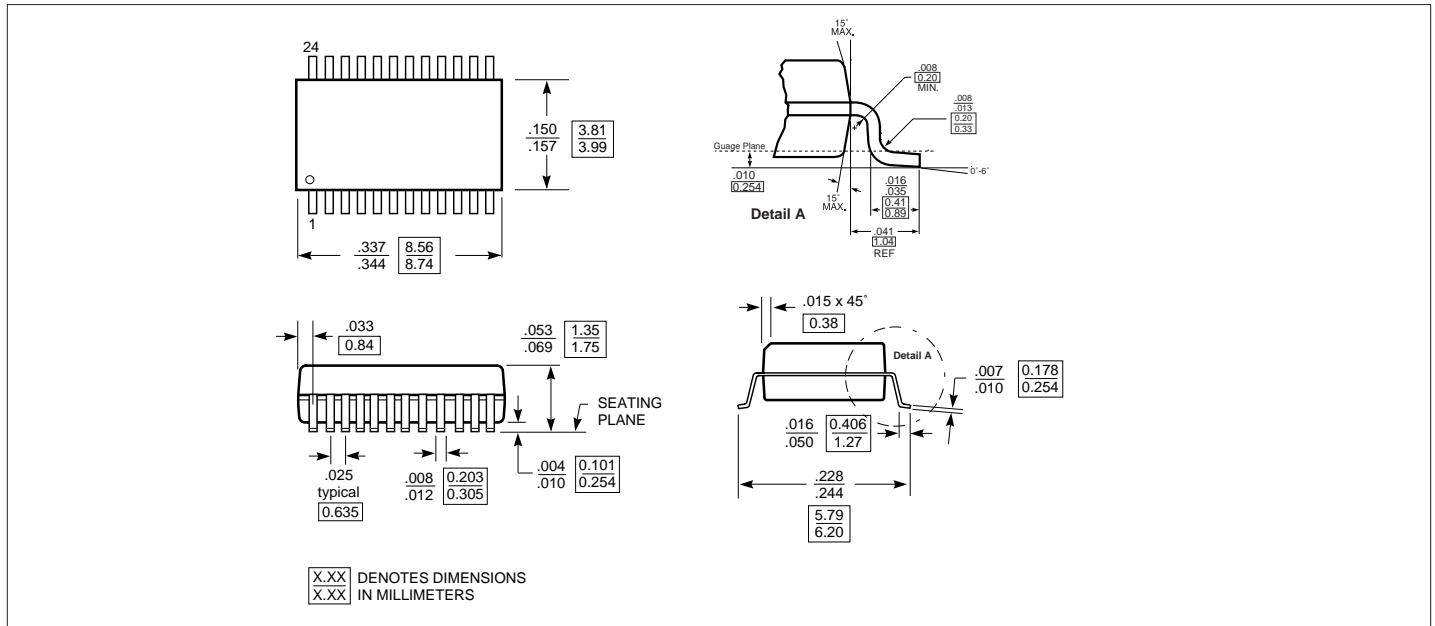


Output Voltage vs. Input Voltage over Various Supply Voltages

Packaging Mechanical: 24-pin TSSOP (package code L)



Packaging Mechanical: 24-pin QSOP (package code Q)



Ordering Information

Part	Pin - Package	Dimensions
PI3C3861L	24 - TSSOP (L)	-40°C to +85°C
PI3C3861Q	24 - QSOP (Q)	-40°C to +85°C

Pericom Semiconductor Corporation

2380 Bering Drive • San Jose, CA 95131 • 1-800-435-2336 • Fax (408) 435-1100 • <http://www.pericom.com>