

# NL27WZ04

## Dual Inverter

The NL27WZ04 is a high performance dual inverter operating from a 1.65 V to 5.5 V supply. High impedance TTL compatible inputs significantly reduce current loading to input drivers while TTL compatible outputs offer improved switching noise performance.

### Features

- Extremely High Speed:  $t_{PD}$  2.0 ns (typical) at  $V_{CC} = 5$  V
- Designed for 1.65 V to 5.5 V  $V_{CC}$  Operation
- Over Voltage Tolerant Inputs and Outputs
- LVTTTL Compatible – Interface Capability with 5 V TTL Logic with  $V_{CC} = 3$  V
- LVC MOS Compatible
- 24 mA Balanced Output Sink and Source Capability
- Near Zero Static Supply Current Substantially Reduces System Power Requirements
- Replacement for NC7W04
- Chip Complexity: FET = 72; Equivalent Gate = 18
- Pb-Free Packages are Available

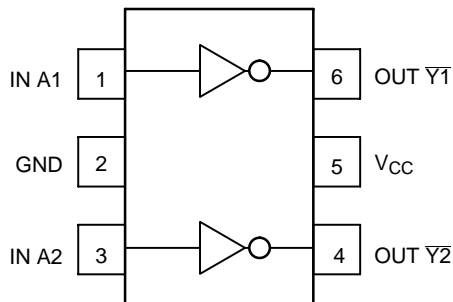


Figure 1. Pinout (Top View)

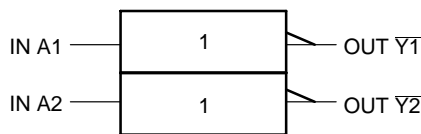


Figure 2. Logic Symbol



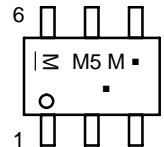
ON Semiconductor®

<http://onsemi.com>

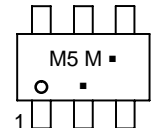
### MARKING DIAGRAMS



SC-88/SC70-6/SOT-363  
DF SUFFIX  
CASE 419B



TSOP-6  
DT SUFFIX  
CASE 318G



M5 = Device Code  
M = Date Code\*  
▪ = Pb-Free Package

(Note: Microdot may be in either location)

\*Date Code orientation and/or position and underbar may vary depending upon manufacturing location.

### PIN ASSIGNMENT

1	IN A1
2	GND
3	IN A2
4	OUT Y2
5	$V_{CC}$
6	OUT Y1

### FUNCTION TABLE

A Input	$\bar{Y}$ Output
L	H
H	L

### ORDERING INFORMATION

See detailed ordering and shipping information in the package dimensions section on page 4 of this data sheet.

# NL27WZ04

## MAXIMUM RATINGS

Characteristics	Symbol	Value	Unit
DC Supply Voltage	$V_{CC}$	-0.5 to +7.0	V
DC Input Voltage	$V_I$	$-0.5 \leq V_I \leq +7.0$	V
DC Output Voltage	Output in HIGH or LOW State (Note 1) $V_O$	$-0.5 \leq V_O \leq 7.0$	V
DC Input Diode Current	$V_I < GND$ $I_{IK}$	-50	mA
DC Output Diode Current	$V_O < GND$ $I_{OK}$	-50	mA
DC Output Source/Sink Current	$I_O$	$\pm 50$	mA
DC Supply Current Per Supply Pin	$I_{CC}$	$\pm 100$	mA
DC Ground Current Per Ground Pin	$I_{GND}$	$\pm 100$	mA
Storage Temperature Range	$T_{STG}$	-65 to +150	°C
Power Dissipation in Still Air	SC-88, TSOP-6 (Note 2) $P_D$	200	mW
Thermal Resistance	SC-88, TSOP-6 (Note 2) $\theta_{JA}$	333	°C/W
Lead temperature, 1 mm from Case for 10 Seconds	$T_L$	260	°C
Junction Temperature Under Bias	$T_J$	+150	°C
ESD Withstand Voltage	Human Body Model (Note 3) Machine Model (Note 4) Charged Device Model (Note 5) $V_{ESD}$	> 2000 > 200 N/A	V

Stresses exceeding Maximum Ratings may damage the device. Maximum Ratings are stress ratings only. Functional operation above the Recommended Operating Conditions is not implied. Extended exposure to stresses above the Recommended Operating Conditions may affect device reliability.

1.  $I_O$  absolute maximum rating must be observed.
2. Measured with minimum pad spacing on an FR4 board, using 10 mm-by-1 inch, 2-ounce copper trace with no air flow.
3. Tested to EIA/JESD22-A114-A
4. Tested to EIA/JESD22-A115-A
5. Tested to JESD22-C101-A

## RECOMMENDED OPERATING CONDITIONS

Parameter	Symbol	Min	Max	Unit
Supply Voltage	Operating Data Retention Only $V_{CC}$	1.65 1.5	5.5 5.5	V
Input Voltage	$V_I$	0	5.5	V
Output Voltage	(HIGH or LOW State) $V_O$	0	5.5	V
Operating Free-Air Temperature	$T_A$	-40	+85	°C
Input Transition Rise or Fall Rate	$\Delta t/\Delta V$ $V_{CC} = 2.5 \text{ V} \pm 0.2 \text{ V}$ $V_{CC} = 3.0 \text{ V} \pm 0.3 \text{ V}$ $V_{CC} = 5.0 \text{ V} \pm 0.5 \text{ V}$	0 0 0	20 10 5	ns/V

# NL27WZ04

## DC ELECTRICAL CHARACTERISTICS

Parameter	Condition	Symbol	V <sub>CC</sub> (V)	T <sub>A</sub> = 25°C			-40°C ≤ T <sub>A</sub> ≤ 85°C		Unit
				Min	Typ	Max	Min	Max	
High-Level Input Voltage		V <sub>IH</sub>	1.65–1.95	0.75 V <sub>CC</sub>			0.75 V <sub>CC</sub>		V
			2.3 to 5.5	0.7 V <sub>CC</sub>			0.7 V <sub>CC</sub>		
Low-Level Input Voltage		V <sub>IL</sub>	1.65–1.95			0.25 V <sub>CC</sub>		0.25 V <sub>CC</sub>	V
			2.3 to 5.5			0.3 V <sub>CC</sub>		0.3 V <sub>CC</sub>	
High-Level Output Voltage V <sub>IN</sub> = V <sub>IL</sub>	I <sub>OH</sub> = -100 μA	V <sub>OH</sub>	1.65 to 5.5	V <sub>CC</sub> - 0.1	V <sub>CC</sub>		V <sub>CC</sub> - 0.1		V
	I <sub>OH</sub> = -3 mA		1.65	1.29	1.52		1.29		
	I <sub>OH</sub> = -8 mA		2.3	1.9	2.1		1.9		
	I <sub>OH</sub> = -12 mA		2.7	2.2	2.4		2.2		
	I <sub>OH</sub> = -16 mA		3.0	2.4	2.7		2.4		
	I <sub>OH</sub> = -24 mA		3.0	2.3	2.5		2.3		
	I <sub>OH</sub> = -32 mA		4.5	3.8	4.0		3.8		
Low-Level Output Voltage V <sub>IN</sub> = V <sub>IH</sub>	I <sub>OL</sub> = 100 μA	V <sub>OL</sub>	1.65 to 5.5			0.1		0.1	V
	I <sub>OL</sub> = 3 mA		1.65		0.08	0.24		0.24	
	I <sub>OL</sub> = 8 mA		2.3		0.20	0.3		0.3	
	I <sub>OL</sub> = 12 mA		2.7		0.22	0.4		0.4	
	I <sub>OL</sub> = 16 mA		3.0		0.28	0.4		0.4	
	I <sub>OL</sub> = 24 mA		3.0		0.38	0.55		0.55	
	I <sub>OL</sub> = 32 mA		4.5		0.42	0.55		0.55	
Input Leakage Current	V <sub>IN</sub> = V <sub>CC</sub> or GND	I <sub>IN</sub>	0 to 5.5			±0.1		±1.0	μA
Power Off-Output Leakage Current	V <sub>OUT</sub> = 5.5 V	I <sub>OFF</sub>	0			1		10	μA
Quiescent Supply Current	V <sub>IN</sub> = V <sub>CC</sub> or GND	I <sub>CC</sub>	1.65 to 5.5			1		10	μA

## AC ELECTRICAL CHARACTERISTICS t<sub>R</sub> = t<sub>F</sub> = 2.5 ns; C<sub>L</sub> = 50 pF; R<sub>L</sub> = 500 Ω

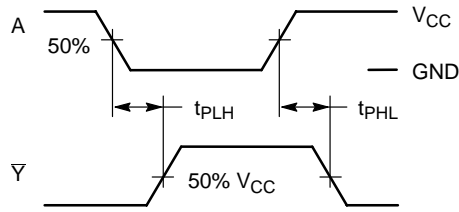
Parameter	Condition	Symbol	V <sub>CC</sub> (V)	T <sub>A</sub> = 25°C			-40°C ≤ T <sub>A</sub> ≤ 85°C		Unit
				Min	Typ	Max	Min	Max	
Propagation Delay (Figure 3 and 4)	R <sub>L</sub> = 1 MΩ, C <sub>L</sub> = 15 pF	t <sub>PLH</sub> t <sub>PHL</sub>	1.65	1.8	2.3	9.2	1.8	11.0	ns
	R <sub>L</sub> = 1 MΩ, C <sub>L</sub> = 15 pF		1.8	1.8	4.4	7.6	1.8	8.4	
	R <sub>L</sub> = 1 MΩ, C <sub>L</sub> = 15 pF		2.5 ± 0.2	1.2	3.0	5.1	1.2	5.6	
	R <sub>L</sub> = 1 MΩ, C <sub>L</sub> = 15 pF		3.3 ± 0.3	0.8	2.2	3.4	0.8	3.8	
	R <sub>L</sub> = 500 Ω, C <sub>L</sub> = 50 pF			1.2	2.9	4.5	1.2	5.0	
	R <sub>L</sub> = 1 MΩ, C <sub>L</sub> = 15 pF		5.0 ± 0.5	0.5	1.8	2.8	0.5	3.1	
	R <sub>L</sub> = 500 Ω, C <sub>L</sub> = 50 pF			0.8	2.3	3.6	0.8	4.0	

## CAPACITIVE CHARACTERISTICS

Parameter	Symbol	Condition	Typical	Unit
Input Capacitance	C <sub>IN</sub>	V <sub>CC</sub> = 5.5 V, V <sub>I</sub> = 0 V or V <sub>CC</sub>	2.5	pF
Power Dissipation Capacitance (Note 6)	C <sub>PD</sub>	10 MHz, V <sub>CC</sub> = 3.3 V, V <sub>I</sub> = 0 V or V <sub>CC</sub>	9	pF
		10 MHz, V <sub>CC</sub> = 5.5 V, V <sub>I</sub> = 0 V or V <sub>CC</sub>	11	

6. C<sub>PD</sub> is defined as the value of the internal equivalent capacitance which is calculated from the operating current consumption without load. Average operating current can be obtained by the equation: I<sub>CC(OPR)</sub> = C<sub>PD</sub> • V<sub>CC</sub> • f<sub>in</sub> + I<sub>CC</sub>. C<sub>PD</sub> is used to determine the no-load dynamic power consumption; P<sub>D</sub> = C<sub>PD</sub> • V<sub>CC</sub><sup>2</sup> • f<sub>in</sub> + I<sub>CC</sub> • V<sub>CC</sub>.

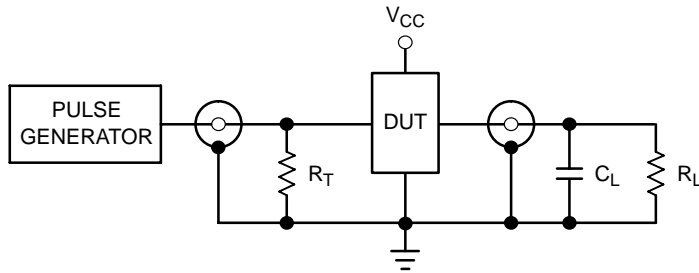
# NL27WZ04



### PROPAGATION DELAYS

$t_R = t_F = 2.5 \text{ ns}$ , 10% to 90%;  $f = 1 \text{ MHz}$ ;  $t_W = 500 \text{ ns}$

**Figure 3. Switching Waveforms**



$R_T = Z_{OUT}$  of pulse generator (typically  $50 \Omega$ )

**Figure 4. Test Circuit**

### ORDERING INFORMATION

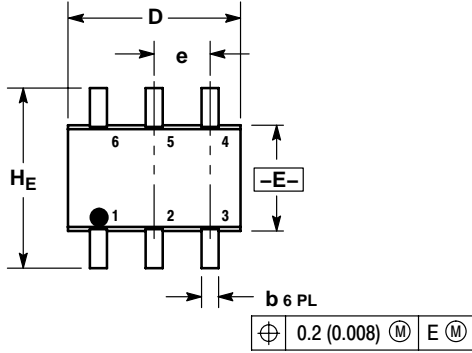
Device	Package	Shipping†
NL27WZ04DFT2	SC-88/SC70-6/SOT-363	3000 / Tape & Reel
NL27WZ04DFT2G	SC-88/SC70-6/SOT-363 (Pb-Free)	
NL27WZ04DTT1	TSOP-6	
NL27WZ04DTT1G	TSOP-6 (Pb-Free)	

†For information on tape and reel specifications, including part orientation and tape sizes, please refer to our Tape and Reel Packaging Specifications Brochure, BRD8011/D.

# NL27WZ04

## PACKAGE DIMENSIONS

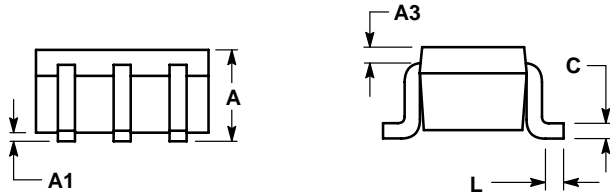
SC-88/SC70-6/SOT-363  
CASE 419B-02  
ISSUE W



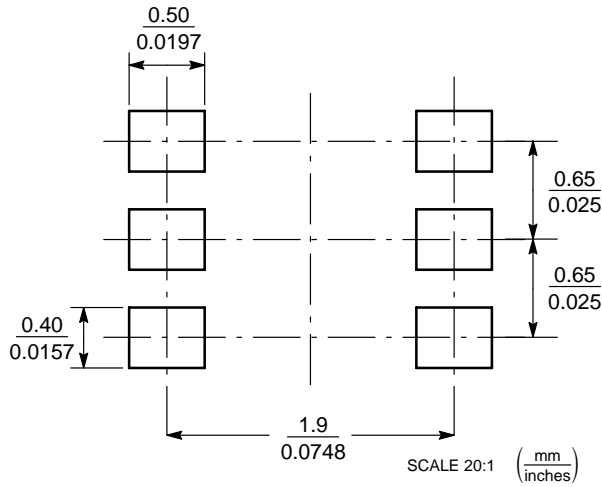
NOTES:

1. DIMENSIONING AND TOLERANCING PER ANSI Y14.5M, 1982.
2. CONTROLLING DIMENSION: INCH.
3. 419B-01 OBSOLETE, NEW STANDARD 419B-02.

DIM	MILLIMETERS			INCHES		
	MIN	NOM	MAX	MIN	NOM	MAX
A	0.80	0.95	1.10	0.031	0.037	0.043
A1	0.00	0.05	0.10	0.000	0.002	0.004
A3	0.20 REF			0.008 REF		
b	0.10	0.21	0.30	0.004	0.008	0.012
C	0.10	0.14	0.25	0.004	0.005	0.010
D	1.80	2.00	2.20	0.070	0.078	0.086
E	1.15	1.25	1.35	0.045	0.049	0.053
e	0.65 BSC			0.026 BSC		
L	0.10	0.20	0.30	0.004	0.008	0.012
HE	2.00	2.10	2.20	0.078	0.082	0.086



### SOLDERING FOOTPRINT\*

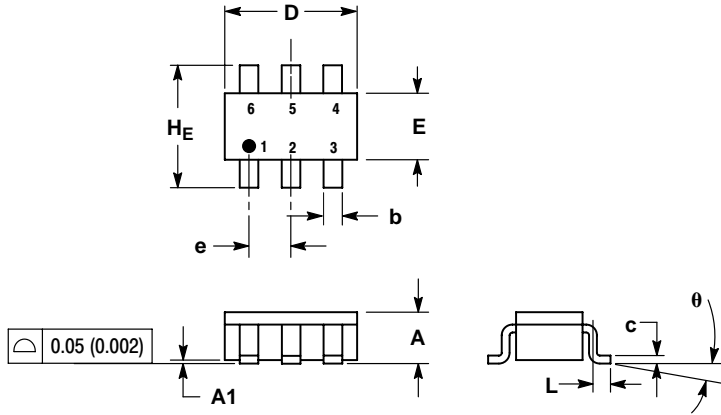


\*For additional information on our Pb-Free strategy and soldering details, please download the ON Semiconductor Soldering and Mounting Techniques Reference Manual, SOLDERRM/D.

# NL27WZ04

## PACKAGE DIMENSIONS

TSOP-6  
CASE 318G-02  
ISSUE S

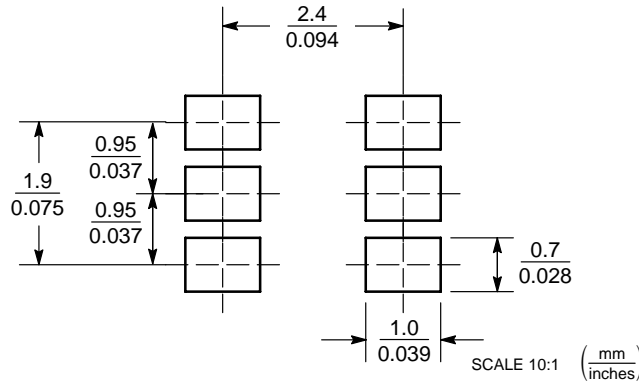


### NOTES:

1. DIMENSIONING AND TOLERANCING PER ANSI Y14.5M, 1982.
2. CONTROLLING DIMENSION: MILLIMETER.
3. MAXIMUM LEAD THICKNESS INCLUDES LEAD FINISH THICKNESS. MINIMUM LEAD THICKNESS IS THE MINIMUM THICKNESS OF BASE MATERIAL.
4. DIMENSIONS A AND B DO NOT INCLUDE MOLD FLASH, PROTRUSIONS, OR GATE BURRS.

DIM	MILLIMETERS			INCHES		
	MIN	NOM	MAX	MIN	NOM	MAX
A	0.90	1.00	1.10	0.035	0.039	0.043
A1	0.01	0.06	0.10	0.001	0.002	0.004
b	0.25	0.38	0.50	0.010	0.014	0.020
c	0.10	0.18	0.26	0.004	0.007	0.010
D	2.90	3.00	3.10	0.114	0.118	0.122
E	1.30	1.50	1.70	0.051	0.059	0.067
e	0.85	0.95	1.05	0.034	0.037	0.041
L	0.20	0.40	0.60	0.008	0.016	0.024
HE	2.50	2.75	3.00	0.099	0.108	0.118
θ	0°	-	10°	0°	-	10°

### SOLDERING FOOTPRINT\*



\*For additional information on our Pb-Free strategy and soldering details, please download the ON Semiconductor Soldering and Mounting Techniques Reference Manual, SOLDERRM/D.

ON Semiconductor and are registered trademarks of Semiconductor Components Industries, LLC (SCILLC). SCILLC reserves the right to make changes without further notice to any products herein. SCILLC makes no warranty, representation or guarantee regarding the suitability of its products for any particular purpose, nor does SCILLC assume any liability arising out of the application or use of any product or circuit, and specifically disclaims any and all liability, including without limitation special, consequential or incidental damages. "Typical" parameters which may be provided in SCILLC data sheets and/or specifications can and do vary in different applications and actual performance may vary over time. All operating parameters, including "Typicals" must be validated for each customer application by customer's technical experts. SCILLC does not convey any license under its patent rights nor the rights of others. SCILLC products are not designed, intended, or authorized for use as components in systems intended for surgical implant into the body, or other applications intended to support or sustain life, or for any other application in which the failure of the SCILLC product could create a situation where personal injury or death may occur. Should Buyer purchase or use SCILLC products for any such unintended or unauthorized application, Buyer shall indemnify and hold SCILLC and its officers, employees, subsidiaries, affiliates, and distributors harmless against all claims, costs, damages, and expenses, and reasonable attorney fees arising out of, directly or indirectly, any claim of personal injury or death associated with such unintended or unauthorized use, even if such claim alleges that SCILLC was negligent regarding the design or manufacture of the part. SCILLC is an Equal Opportunity/Affirmative Action Employer. This literature is subject to all applicable copyright laws and is not for resale in any manner.

### PUBLICATION ORDERING INFORMATION

**LITERATURE FULFILLMENT:**  
Literature Distribution Center for ON Semiconductor  
P.O. Box 5163, Denver, Colorado 80217 USA  
**Phone:** 303-675-2175 or 800-344-3860 Toll Free USA/Canada  
**Fax:** 303-675-2176 or 800-344-3867 Toll Free USA/Canada  
**Email:** orderlit@onsemi.com

**N. American Technical Support:** 800-282-9855 Toll Free  
USA/Canada  
**Europe, Middle East and Africa Technical Support:**  
Phone: 421 33 790 2910  
**Japan Customer Focus Center**  
Phone: 81-3-5773-3850

**ON Semiconductor Website:** [www.onsemi.com](http://www.onsemi.com)  
**Order Literature:** <http://www.onsemi.com/orderlit>  
For additional information, please contact your local Sales Representative

NL27WZ04/D