

# LME49811 Audio Power Amplifier Series

## High Fidelity 200 Volt Power Amplifier Input Stage with Shutdown

### General Description

The LME49811 is a high fidelity audio power amplifier input stage designed for demanding consumer and pro-audio applications. Amplifier output power may be scaled by changing the supply voltage and number of output devices. The LME49811 is capable of driving an output stage to deliver in excess of 500 watts single-ended into an 8 ohm load in the presence of 10% high line headroom and 20% supply regulation.

The LME49811 includes thermal shut down circuitry that activates when the die temperature exceeds 150°C. The LME49811's shutdown function when activated, forces the LME49811 into shutdown state.

### Key Specifications

- Wide operating voltage range ±20V to ±100V
- PSRR (f = DC) 115dB (typ)
- THD+N (f = 1kHz) 0.00035% (typ)
- Output Drive Current 9mA

### Features

- Very high voltage operation
- Scalable output power
- Minimum external components
- External compensation
- Thermal Shutdown

### Applications

- Powered subwoofers
- Pro audio
- Powered studio monitors
- Audio video receivers
- Guitar Amplifiers
- High voltage industrial applications

### Typical Application

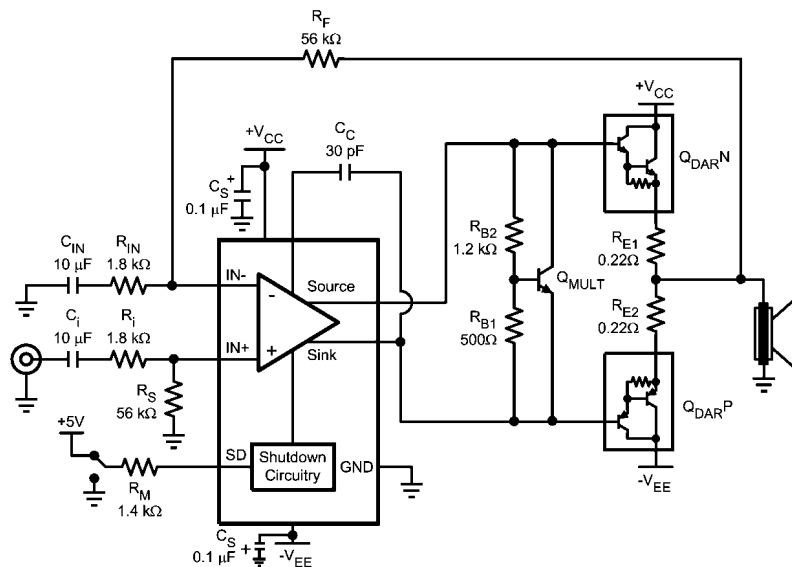
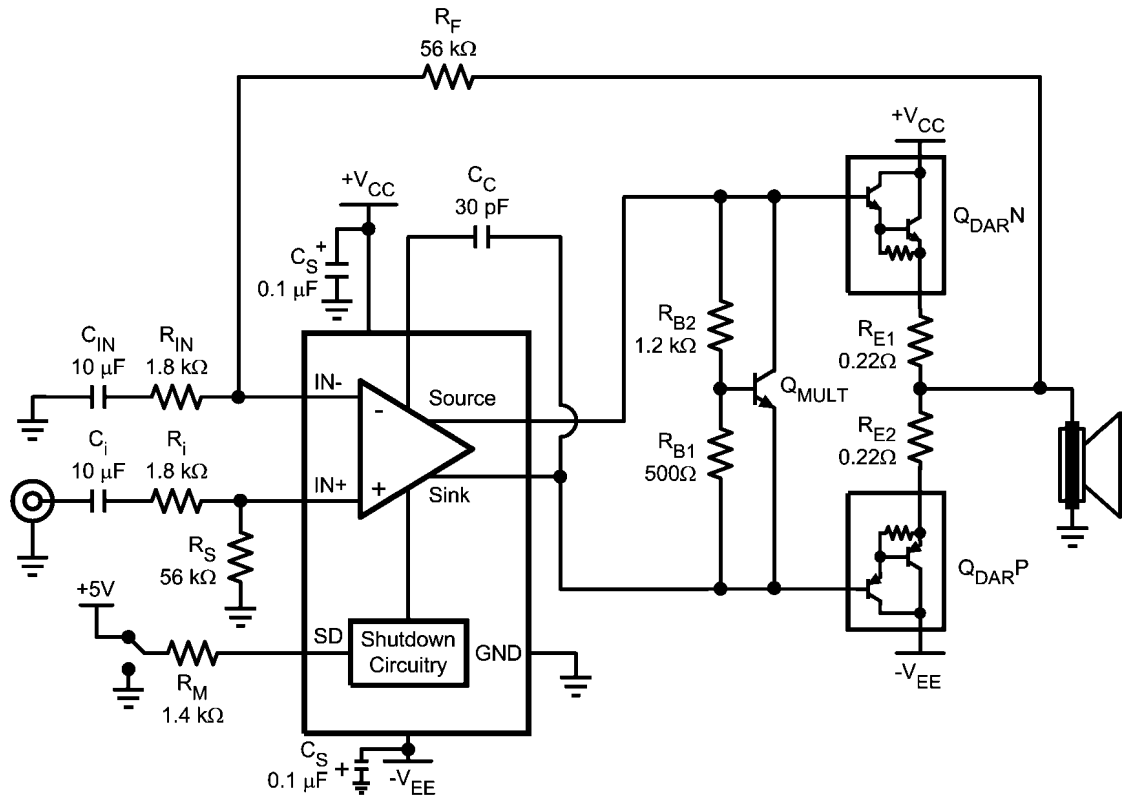


FIGURE 1. Typical Audio Amplifier Application Circuit

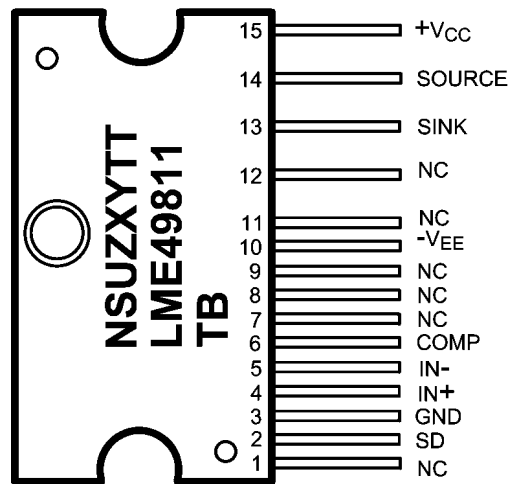
30004862



Typical Audio Amplifier Application Circuit

30004862

## Connection Diagram



30004860

**Top View**  
 See Order Number LME49811TB  
 NS = National Logo  
 U = Fabrication plant code  
 Z = Assembly plant code  
 XY = 2 Digit date code  
 TT = Die traceability  
 TB = Package code

### Pin Description

Pin	Pin Name	Description
1	NC	No Connect, Pin electrically isolated
2	SD	Shutdown Control
3	GND	Device Ground
4	IN+	Non-Inverting Input
5	IN-	Inverting Input
6	Comp	External Compensation Connection
7	NC	No Connect, Pin electrically isolated
8	NC	No Connect, Pin electrically isolated
9	NC	No Connect, Pin electrically isolated
10	-V <sub>EE</sub>	Negative Power Supply
11	NC	No Connect, Pin electrically isolated
12	NC	No Connect, Pin electrically isolated
13	Sink	Output Sink
14	Source	Output Source
15	+V <sub>CC</sub>	Positive Power Supply

**Absolute Maximum Ratings** (Note 1)

If Military/Aerospace specified devices are required, please contact the National Semiconductor Sales Office/Distributors for availability and specifications.

Supply Voltage $IV^+ + IV^-$	200V
Differential Input Voltage	+/-6V
Common Mode Input Range	$0.4 V_{EE}$ to $0.4 V_{CC}$
Power Dissipation (Note 3)	4W
ESD Rating (Note 4)	2kV
ESD Rating (Note 5)	200V
Junction Temperature ( $T_{JMAX}$ ) (Note 8)	150°C
Soldering Information	

T Package (10 seconds)	260°C
Storage Temperature	-40°C to +150°C
Thermal Resistance	
$\theta_{JA}$	73°C/W
$\theta_{JC}$	4°C/W

**Operating Ratings** (Notes 1, 2)

Temperature Range	
$T_{MIN} \leq T_A \leq T_{MAX}$	-40°C $\leq$ $T_A$ $\leq$ +85°C
Supply Voltage $IV^+ + IV^-$	+/-20V $\leq$ $V_{TOTAL} \leq$ +/-100V

**Electrical Characteristics + $V_{CC} = -V_{EE} = 50V$**  (Notes 1, 2)

The following specifications apply for  $I_{SD} = 1.5mA$ , Figure 1, unless otherwise specified. Limits apply for  $T_A = 25^\circ C$ ,  $C_C = 30pF$ .

Symbol	Parameter	Conditions	LME49811		Units (Limits)
			Typical (Note 6)	Limit (Note 7)	
$I_{CC}$	Total Quiescent Power Supply Current	$V_{CM} = 0V, V_O = 0V, I_O = 0A$	14	17	mA (max)
$I_{EE}$	Total Quiescent Power Supply Current	$V_{CM} = 0V, V_O = 0V, I_O = 0A$	16	19	mA (max)
THD+N	Total Harmonic Distortion + Noise	No load, $A_V = 29dB$ $V_{OUT} = 20V_{RMS}, f = 1kHz$	0.00055	0.0015	% (max)
$A_V$	Closed Loop Voltage Gain			26	dB (min)
$A_V$	Open Loop Gain	$V_{IN} = 1mV_{RMS}, f = 1kHz$	93		dB
		$f = DC$	120		dB
$V_{OM}$	Output Voltage Swing	THD+N = 0.05%, Freq = 20Hz to 20kHz	33		$V_{RMS}$
$V_{NOISE}$	Output Noise	LPF = 30kHz, $A_V = 29dB$	100		$\mu V$
		A-weighted	70	180	$\mu V$ (max)
$I_{OUT}$	Output Current	Outputs Shorted	8	6.5	mA(min)
$I_{SD}$	Current into Shutdown Pin	To put part in "play" mode	1.5	1	mA(min)
				2	mA (max)
SR	Slew Rate	$V_{IN} = 1.2V_{P-P}, f = 10kHz$ square Wave, Outputs shorted	16	13	V/ $\mu s$ (min)
$V_{OS}$	Input Offset Voltage	$V_{CM} = 0V, I_O = 0mA$	1	3	mV (max)
$I_B$	Input Bias Current	$V_{CM} = 0V, I_O = 0mA$	100		nA
PSRR	Power Supply Rejection Ratio	DC, Input Referred	115	105	dB (min)

**Electrical Characteristics + $V_{CC} = -V_{EE} = 100V$**  (Notes 1, 2)

The following specifications apply for  $I_{SD} = 1.5mA$ , Figure 1, unless otherwise specified. Limits apply for  $T_A = 25^\circ C$ .

Symbol	Parameter	Conditions	LME49811		Units (Limits)
			Typical (Note 6)	Limit (Note 7)	
$I_{CC}$	Total Quiescent Power Supply Current	$V_{CM} = 0V, V_O = 0V, I_O = 0A$	17	22	mA (max)
$I_{EE}$	Total Quiescent Power Supply Current	$V_{CM} = 0V, V_O = 0V, I_O = 0A$	19	24	mA (max)
THD+N	Total Harmonic Distortion + Noise	No load, $A_V = 30dB$ $V_{OUT} = 30V_{RMS}, f = 1kHz$	0.00035	0.001	% (max)
$A_V$	Closed Loop Voltage Gain			26	dB (min)

Symbol	Parameter	Conditions	LME49811		Units (Limits)
			Typical (Note 6)	Limit (Note 7)	
A <sub>V</sub>	Open Loop Gain	V <sub>IN</sub> = 1mV <sub>RMS</sub> , f = 1kHz	93		dB
		f = DC	120		dB
V <sub>OM</sub>	Output Voltage Swing	THD+N = 0.05%, Freq = 20Hz to 20kHz	68		V <sub>RMS</sub>
V <sub>NOISE</sub>	Output Noise	LPF = 30kHz, A <sub>v</sub> = 29dB	100		μV
		A-weighted	70	180	μV (max)
I <sub>OUT</sub>	Output Current	Outputs Shorted	9	7	mA(min)
I <sub>SD</sub>	Current into Shutdown Pin	To put part in "play" mode	1.5	1 2	mA(min) mA (max)
SR	Slew Rate	V <sub>IN</sub> = 1.2V <sub>P-P</sub> , f = 10kHz square Wave, Outputs shorted	17	14	V/μs (min)
V <sub>OS</sub>	Input Offset Voltage	V <sub>CM</sub> = 0V, I <sub>O</sub> = 0mA	1	3	mV (max)
I <sub>B</sub>	Input Bias Current	V <sub>CM</sub> = 0V, I <sub>O</sub> = 0mA	100		nA (max)
PSRR	Power Supply Rejection Ratio	f = DC, Input Referred	115	105	dB (min)

**Note 1:** "Absolute Maximum Ratings" indicate limits beyond which damage to the device may occur, including inoperability and degradation of device reliability and/or performance. Functional operation of the device and/or non-degradation at the *Absolute Maximum Ratings* or other conditions beyond those indicated in the *Recommended Operating Conditions* is not implied. The *Recommended Operating Conditions* indicate conditions at which the device is functional and the device should not be operated beyond such conditions. All voltages are measured with respect to the ground pin, unless otherwise specified

**Note 2:** The *Electrical Characteristics* tables list guaranteed specifications under the listed *Recommended Operating Conditions* except as otherwise modified or specified by the *Electrical Characteristics Conditions* and/or Notes. Typical specifications are estimations only and are not guaranteed.

**Note 3:** The maximum power dissipation must be derated at elevated temperatures and is dictated by T<sub>JMAX</sub>, θ<sub>JA</sub>, and the ambient temperature, T<sub>A</sub>. The maximum allowable power dissipation is P<sub>DMAX</sub> = (T<sub>JMAX</sub> - T<sub>A</sub>) / θ<sub>JA</sub> or the number given in Absolute Maximum Ratings, whichever is lower.

**Note 4:** Human body model, applicable std. JESD22-A114C.

**Note 5:** Machine model, applicable std. JESD22-A115-A.

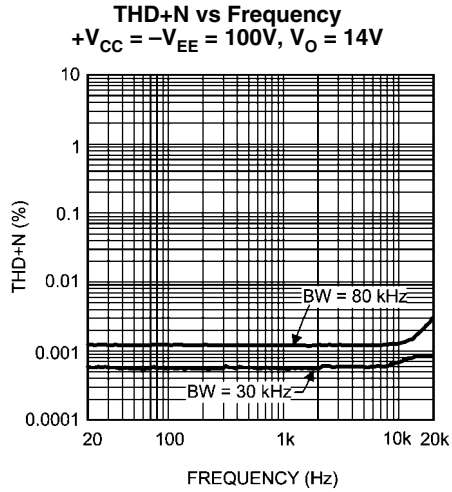
**Note 6:** Typical values represent most likely parametric norms at T<sub>A</sub> = +25°C, and at the *Recommended Operation Conditions* at the time of product characterization and are not guaranteed.

**Note 7:** Datasheet min/max specification limits are guaranteed by test or statistical analysis.

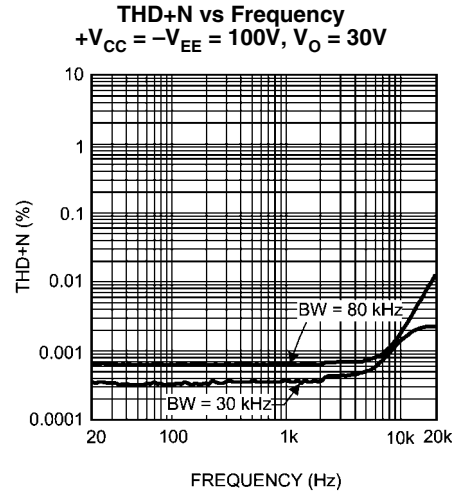
**Note 8:** The maximum operating junction temperature is 150°C.

**Note 9:** The Data taken with Bandwidth = 30kHz, A<sub>v</sub> = 29dB, C<sub>C</sub> = 30pF, and T<sub>A</sub> = 25°C except where specified.

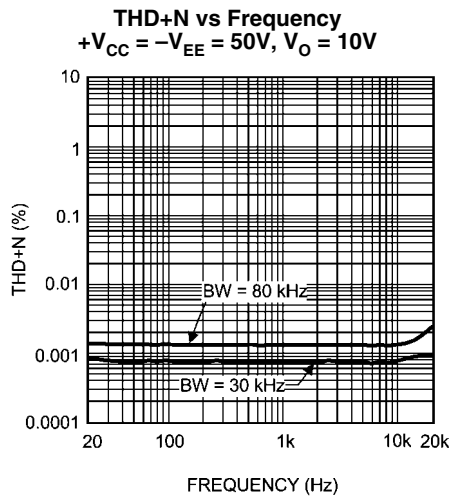
# Typical Performance Characteristics for LME49811 (Note 9)



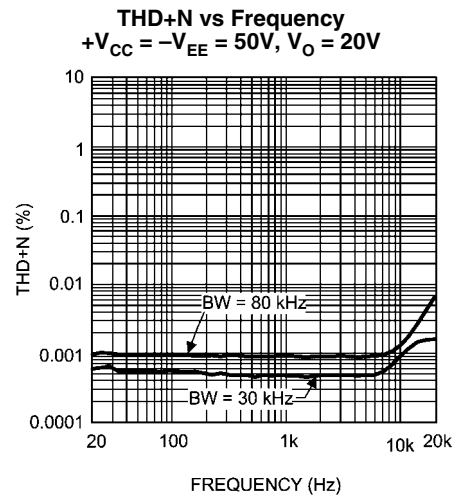
30004873



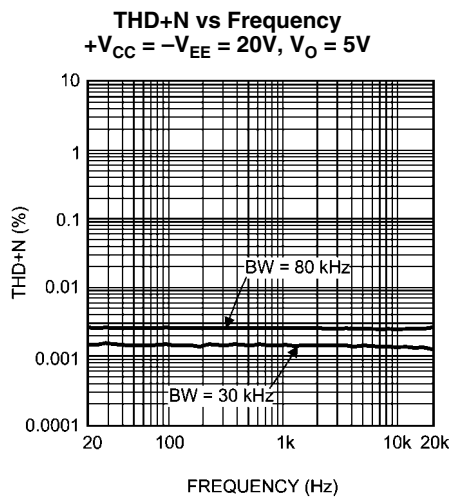
30004874



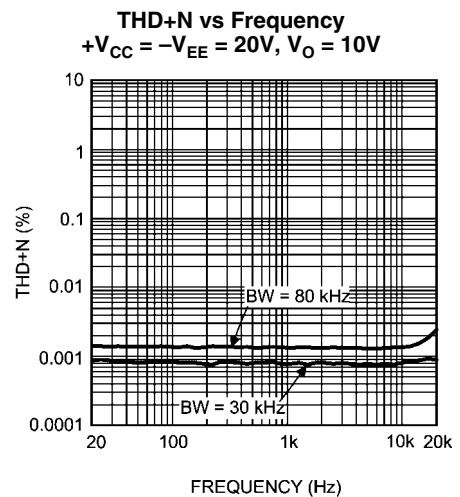
30004871



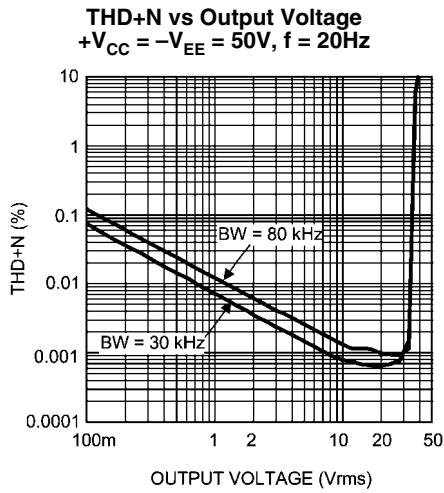
30004872



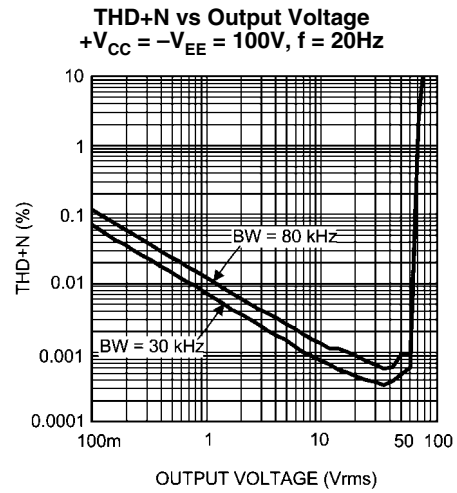
30004869



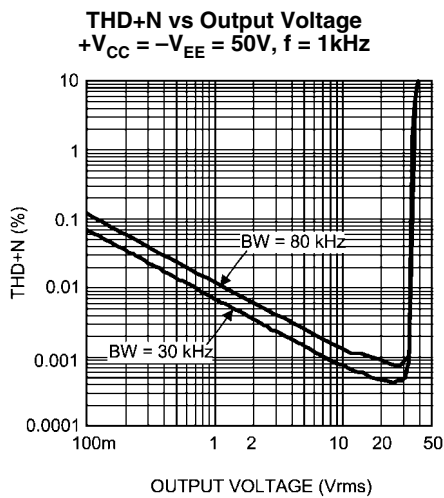
30004870



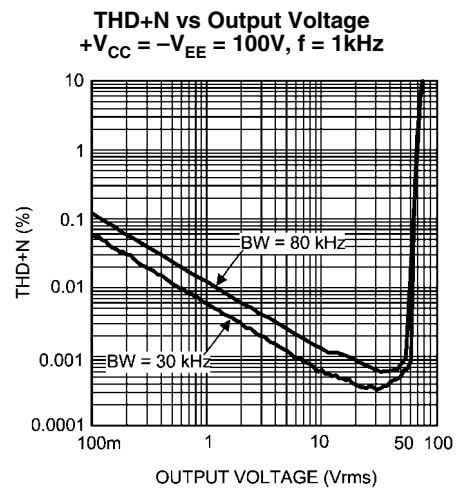
30004879



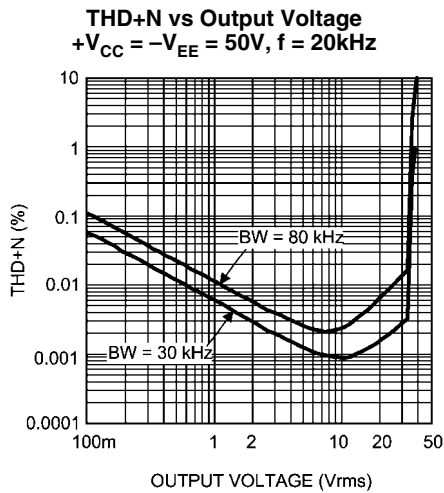
30004882



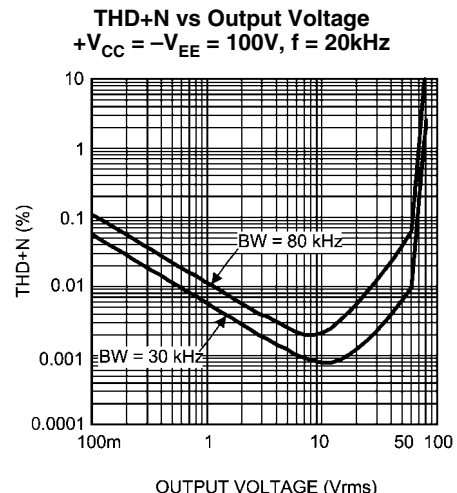
30004878



30004881

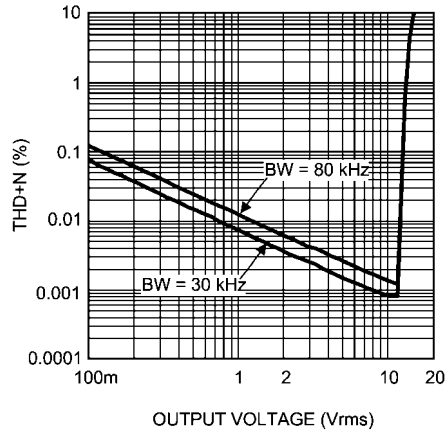


30004880



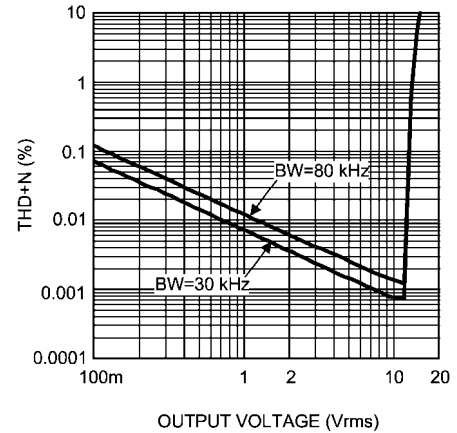
30004883

**THD+N vs Output Voltage**  
 $+V_{CC} = -V_{EE} = 20V, f = 20kHz$



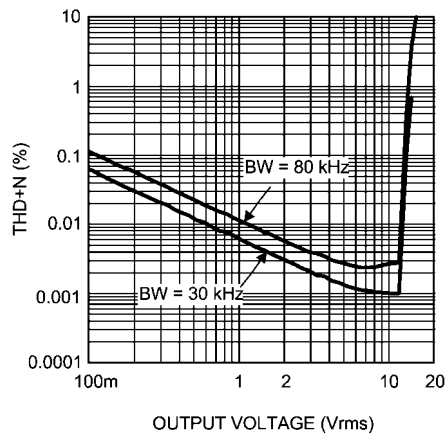
30004876

**THD+N vs Output Voltage**  
 $+V_{CC} = -V_{EE} = 20V, f = 1kHz$



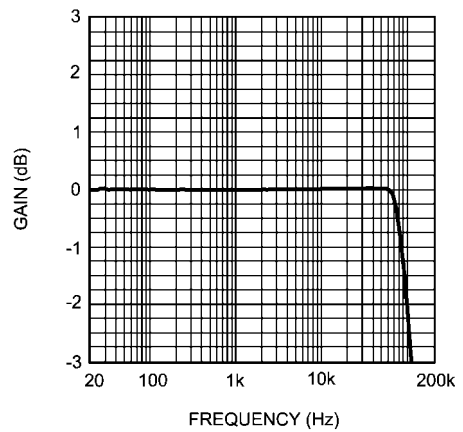
30004875

**THD+N vs Output Voltage**  
 $+V_{CC} = -V_{EE} = 20V, f = 20kHz$



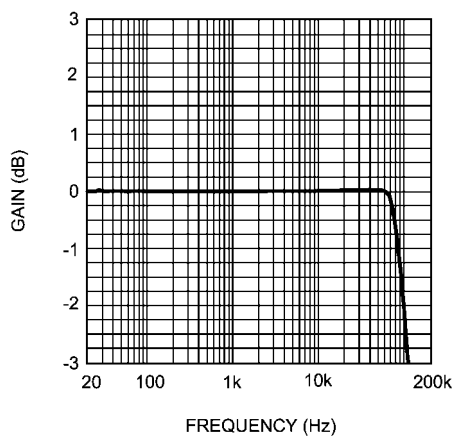
30004877

**Closed Loop Frequency Response**  
 $+V_{CC} = -V_{EE} = 50V, V_{IN} = 1V_{RMS}$



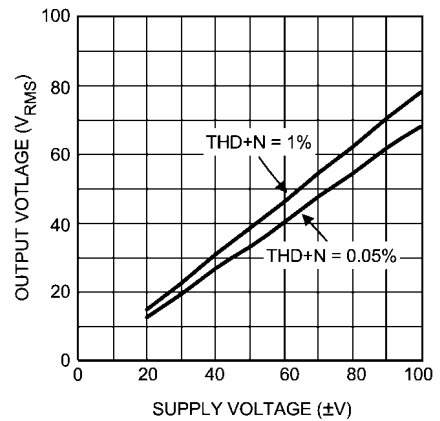
30004863

**Closed Loop Frequency Response**  
 $+V_{CC} = -V_{EE} = 100V, V_{IN} = 1V_{RMS}$



30004864

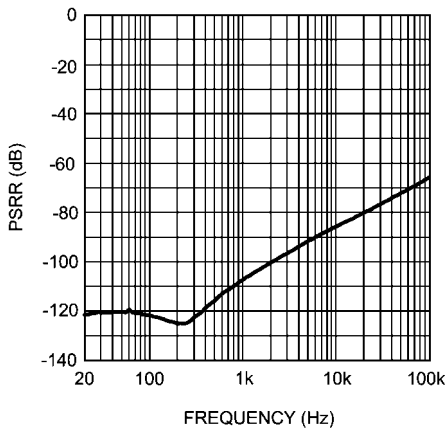
**Output Voltage vs Supply Voltage**



300048a0

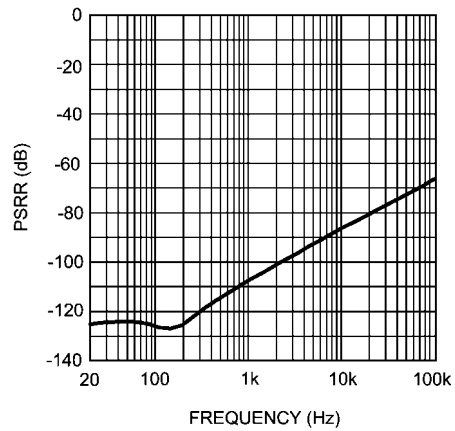


**PSRR vs Frequency**  
 $+V_{CC} = -V_{EE} = 100V$ , No Filters  
 Input Referred,  $V_{RIPPLE} = 1V_{RMS}$  on  $V_{CC}$  pin



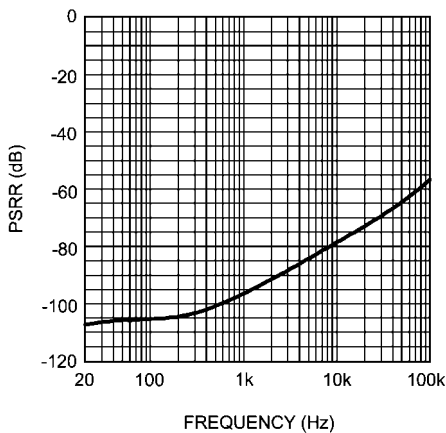
30004845

**PSRR vs Frequency**  
 $+V_{CC} = -V_{EE} = 50V$ , No Filters  
 Input Referred,  $V_{RIPPLE} = 1V_{RMS}$  on  $V_{CC}$  pin



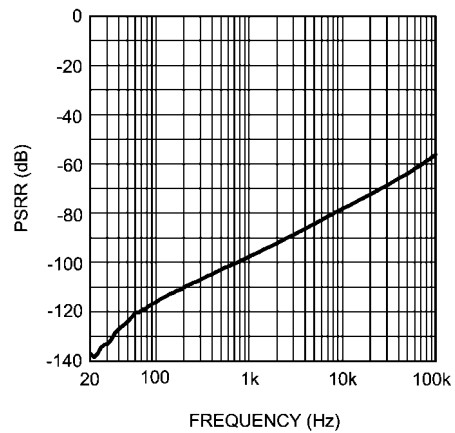
30004844

**PSRR vs Frequency**  
 $+V_{CC} = -V_{EE} = 100V$ , No Filters  
 Input Referred,  $V_{RIPPLE} = 1V_{RMS}$  on  $V_{EE}$  pin



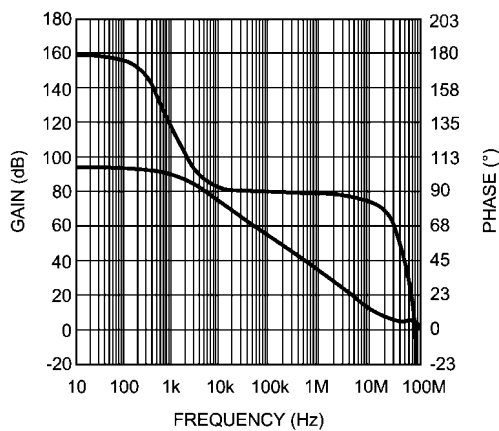
30004868

**PSRR vs Frequency**  
 $+V_{CC} = -V_{EE} = 50V$ , No Filters  
 Input Referred,  $V_{RIPPLE} = 1V_{RMS}$  on  $V_{EE}$  pin



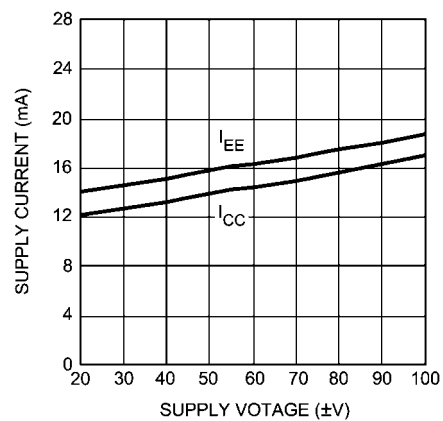
30004866

**Open Loop and Phase Upper-Phase Lower Gain**



30004837

**Supply Current vs Supply Voltage**



300048a1

## Test Circuit

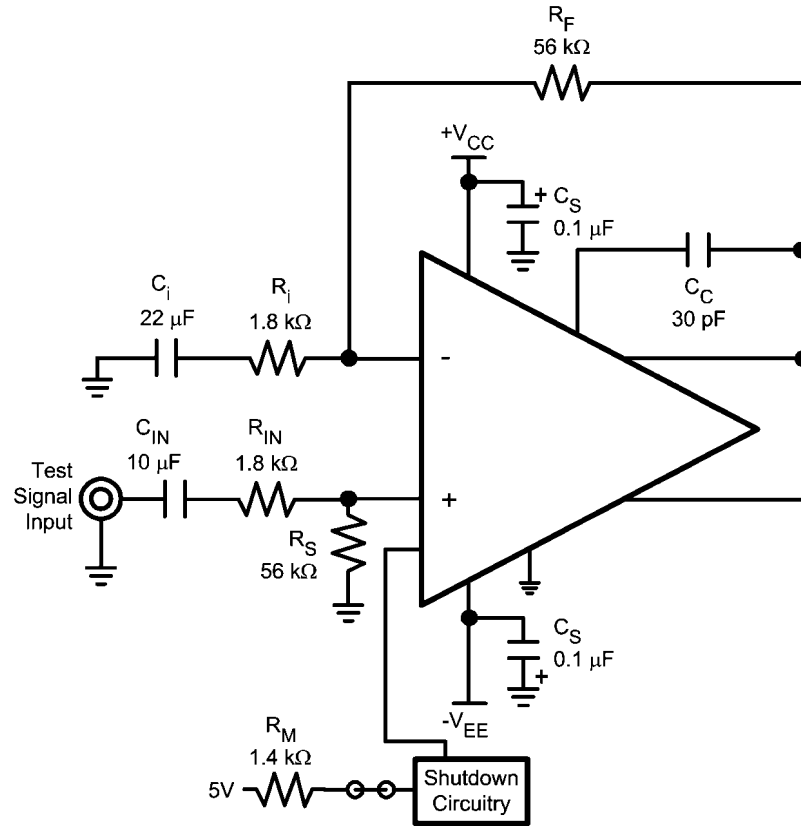


FIGURE 3. Test Circuit

30004861

## Application Information

### SHUTDOWN FUNCTION

The shutdown function of the LME49811 is controlled by the amount of current that flows into the shutdown pin. If there is less than 1mA of current flowing into the shutdown pin, the part will be in shutdown. This can be achieved by shorting the shutdown pin to ground or by floating the shutdown pin. If there is between 1mA and 2mA of current flowing into the shutdown pin, the part will be in "play" mode. This can be done by connecting a reference voltage to the shutdown pin through a resistor ( $R_M$ ). The current into the shutdown pin can be determined by the equation  $I_{SD} = (V_{REF} - 2.9) / R_M$ . For example, if a 5V power supply is connected through a 1.4k $\Omega$  resistor to the shutdown pin, then the shutdown current will be 1.5mA, at the center of the specified range. It is also possible to use  $V_{CC}$  as the power supply for the shutdown pin, though  $R_M$  will have to be recalculated accordingly. It is not recommended to flow more than 2mA of current into the shutdown pin because damage to the LME49811 may occur.

It is highly recommended to switch between shutdown and "play" modes rapidly. This is accomplished most easily through using a toggle switch that alternatively connects the shutdown pin through a resistor to either ground or the shutdown pin power supply. Slowly increasing the shutdown current may result in undesired voltages on the outputs of the LME49811, which can damage an attached speaker.

### THERMAL PROTECTION

The LME49811 has a thermal protection scheme to prevent long-term thermal stress of the device. When the temperature on the die exceeds 150°C, the LME49811 shuts down. It starts operating again when the die temperature drops to about 145°C, but if the temperature again begins to rise, shutdown will occur again above 150°C. Therefore, the device is allowed to heat up to a relatively high temperature if the fault condition is temporary, but a sustained fault will cause the device to cycle in a Schmitt Trigger fashion between the thermal shutdown temperature limits of 150°C and 145°C. This greatly reduces the stress imposed on the IC by thermal cycling, which in turn improves its reliability under sustained fault conditions.

Since the die temperature is directly dependent upon the heat sink used, the heat sink should be chosen so that thermal shutdown is not activated during normal operation. Using the best heat sink possible within the cost and space constraints of the system will improve the long-term reliability of any power semiconductor device, as discussed in the **Determining the Correct Heat Sink** section.

### POWER DISSIPATION AND HEAT SINKING

When in "play" mode, the LME49811 draws a constant amount of current, regardless of the input signal amplitude. Consequently, the power dissipation is constant for a given supply voltage and can be computed with the equation  $P_{DMAX} = I_{CC} * (V_{CC} - V_{EE})$ .

### DETERMINING THE CORRECT HEAT SINK

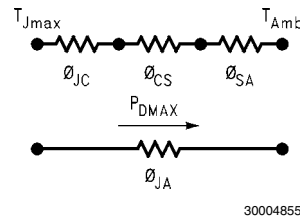
The choice of a heat sink for a high-power audio amplifier is made entirely to keep the die temperature at a level such that the thermal protection circuitry is not activated under normal circumstances.

The thermal resistance from the die to the outside air,  $\theta_{JA}$  (junction to ambient), is a combination of three thermal resistances,  $\theta_{JC}$  (junction to case),  $\theta_{CS}$  (case to sink), and  $\theta_{SA}$  (sink to ambient). The thermal resistance,  $\theta_{JC}$  (junction to case), of the LME49811 is 0.4 °C/W. Using Thermalloy Thermacote

thermal compound, the thermal resistance,  $\theta_{CS}$  (case to sink), is about 0.2°C/W. Since convection heat flow (power dissipation) is analogous to current flow, thermal resistance is analogous to electrical resistance, and temperature drops are analogous to voltage drops, the power dissipation out of the LME49811 is equal to the following:

$$P_{DMAX} = (T_{JMAX} - T_{AMB}) / \theta_{JA} \quad (1)$$

where  $T_{JMAX} = 150^\circ\text{C}$ ,  $T_{AMB}$  is the system ambient temperature and  $\theta_{JA} = \theta_{JC} + \theta_{CS} + \theta_{SA}$ .



Once the maximum package power dissipation has been calculated using equation 1, the maximum thermal resistance,  $\theta_{SA}$ , (heat sink to ambient) in °C/W for a heat sink can be calculated. This calculation is made using equation 2 which is derived by solving for  $\theta_{SA}$  in equation 1.

$$\theta_{SA} = [(T_{JMAX} - T_{AMB}) - P_{DMAX}(\theta_{JC} + \theta_{CS})] / P_{DMAX} \quad (2)$$

Again it must be noted that the value of  $\theta_{SA}$  is dependent upon the system designer's amplifier requirements. If the ambient temperature that the audio amplifier is to be working under is higher than 25°C, then the thermal resistance for the heat sink, given all other things are equal, will need to be smaller.

### PROPER SELECTION OF EXTERNAL COMPONENTS

Proper selection of external components is required to meet the design targets of an application. The choice of external component values that will affect gain and low frequency response are discussed below.

The gain of each amplifier is set by resistors  $R_F$  and  $R_i$  for the non-inverting configuration shown in Figure 1. The gain is found by *Equation 3* below:

$$A_V = R_F / R_i \text{ (V/V)} \quad (3)$$

For best noise performance, lower values of resistors are used. A value of 1k $\Omega$  is commonly used for  $R_i$  and then setting the value of  $R_F$  for the desired gain. For the LME49811 the gain should be set no lower than 26dB. Gain settings below 26dB may experience instability.

The combination of  $R_i$  with  $C_i$  (see Figure 1) creates a high pass filter. The low frequency response is determined by these two components. The -3dB point can be found from *Equation 4* shown below:

$$f_i = 1 / (2\pi R_i C_i) \text{ (Hz)} \quad (4)$$

If an input coupling capacitor is used to block DC from the inputs as shown in Figure 5, there will be another high pass filter created with the combination of  $C_{IN}$  and  $R_{IN}$ . When using an input coupling capacitor  $R_{IN}$  is needed to set the DC bias point on the amplifier's input terminal. The resulting -3dB frequency response due to the combination of  $C_{IN}$  and  $R_{IN}$  can be found from *Equation 5* shown below:

$$f_{IN} = 1 / (2\pi R_{IN} C_{IN}) \text{ (Hz)} \quad (5)$$

With large values of  $R_{IN}$  oscillations may be observed on the outputs when the inputs are left floating. Decreasing the value of  $R_{IN}$  or not letting the inputs float will remove the oscillations. If the value of  $R_{IN}$  is decreased then the value of  $C_{IN}$  will need to increase in order to maintain the same -3dB frequency response.

### COMPENSATION CAPACITOR

The compensation capacitor ( $C_C$ ) is one of the most critical external components in value, placement and type. The capacitor should be placed close to the LME49811 and a silver mica type will give good performance. The value of the capacitor will affect slew rate and stability. The highest slew rate is possible while also maintaining stability through out the power and frequency range of operation results in the best audio performance. The value shown in Figure 1 should be considered a starting value with optimization done on the bench and in listening testing.

### SUPPLY BYPASSING

The LME49811 has excellent power supply rejection and does not require a regulated supply. However, to eliminate possible oscillations all op amps and power op amps should have their supply leads bypassed with low-inductance capacitors having short leads and located close to the package terminals. Inadequate power supply bypassing will manifest itself by a low frequency oscillation known as "motorboating" or by high frequency instabilities. These instabilities can be eliminated through multiple bypassing utilizing a large electrolytic capacitor (10 $\mu$ F or larger) which is used to absorb low frequency variations and a small ceramic capacitor (0.1 $\mu$ F) to prevent any high frequency feedback through the power supply lines. If adequate bypassing is not provided the current in the supply leads which is a rectified component of the load current may be fed back into internal circuitry. This signal causes low distortion at high frequencies requiring that the supplies be bypassed at the package terminals with an electrolytic capacitor of 470 $\mu$ F or more.

### OUTPUT STAGE USING BIPOLAR TRANSISTORS

With a properly designed output stage and supply voltage of  $\pm 100V$ , an output power up to 500W can be generated at 0.05% THD+N into an 8 $\Omega$  speaker load. With an output current of several amperes, the output transistors need substantial base current drive because power transistors usually have quite low current gain—typical  $h_{fe}$  of 50 or so. To increase the current gain, audio amplifiers commonly use Darlington style devices or additional driver stages. Power transistors should be mounted together with the  $V_{BE}$  multiplier transistor on the same heat sink to avoid thermal run away. Please see the section **Biasing Technique and Avoiding Thermal Runaway** for additional information.

### BIASING TECHNIQUES AND AVOIDING THERMAL RUNAWAY

A class AB amplifier has some amount of distortion called Crossover distortion. To effectively minimize the crossover distortion from the output, a  $V_{BE}$  multiplier may be used instead of two biasing diodes. A  $V_{BE}$  multiplier normally consists of a bipolar transistor ( $Q_{MULT}$ , see Figure 1) and two resistors ( $R_{B1}$  and  $R_{B2}$ , see Figure 1). A trim pot can also be added in series with  $R_{B1}$  for optional bias adjustment. A properly de-

signed output stage, combine with a  $V_{BE}$  multiplier, can eliminate the trim pot and virtually eliminate crossover distortion. The  $V_{CE}$  voltage of  $Q_{MULT}$  (also called BIAS of the output stage) can be set by following formula:

$$V_{BIAS} = V_{BE}(1 + R_{B2}/R_{B1}) \quad (V) \quad (6)$$

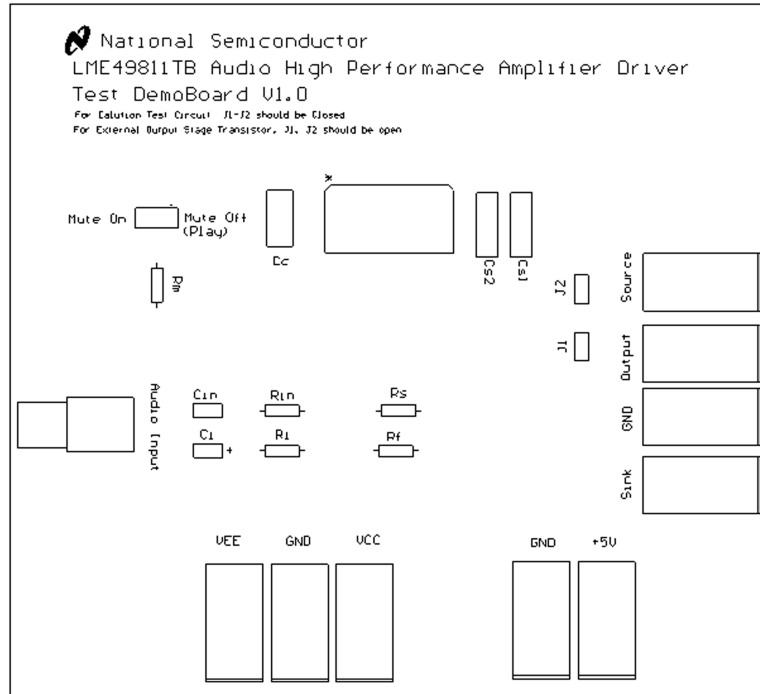
When using a bipolar output stage with the LME49811 (as in Figure 1), the designer must beware of thermal runaway. Thermal runaway is a result of the temperature dependence of  $V_{BE}$  (an inherent property of the transistor). As temperature increases,  $V_{BE}$  decreases. In practice, current flowing through a bipolar transistor heats up the transistor, which lowers the  $V_{BE}$ . This in turn increases the current gain, and the cycle repeats. If the system is not designed properly this positive feedback mechanism can destroy the bipolar transistors used in the output stage. One of the recommended methods of preventing thermal runaway is to use the same heat sink on the bipolar output stage transistor together with  $V_{BE}$  multiplier transistor. When the  $V_{BE}$  multiplier transistor is mounted to the same heat sink as the bipolar output stage transistors, its temperature will track that of the output transistors. Its  $V_{BE}$  is dependent upon temperature as well, and so it will draw more current as the output transistors heat up, reducing the bias voltage to compensate. This will limit the base current into the output transistors, which counteracts thermal runaway. Another widely popular method of preventing thermal runaway is to use low value emitter degeneration resistors ( $R_{E1}$  and  $R_{E2}$ ). As current increases, the voltage at the emitter also increases, which decreases the voltage across the base and emitter. This mechanism helps to limit the current and counteracts thermal runaway.

### LAYOUT CONSIDERATION AND AVOIDING GROUND LOOPS

A proper layout is virtually essential for a high performance audio amplifier. It is very important to return the load ground, supply grounds of output transistors, and the low level (feedback and input) grounds to the circuit board common ground point through separate paths. When ground is routed in this fashion, it is called a star ground or a single point ground. It is advisable to keep the supply decoupling capacitors of 0.1 $\mu$ F close as possible to LME49811 to reduce the effects of PCB trace resistance and inductance. Following the general rules will optimize the PCB layout and avoid ground loops problems:

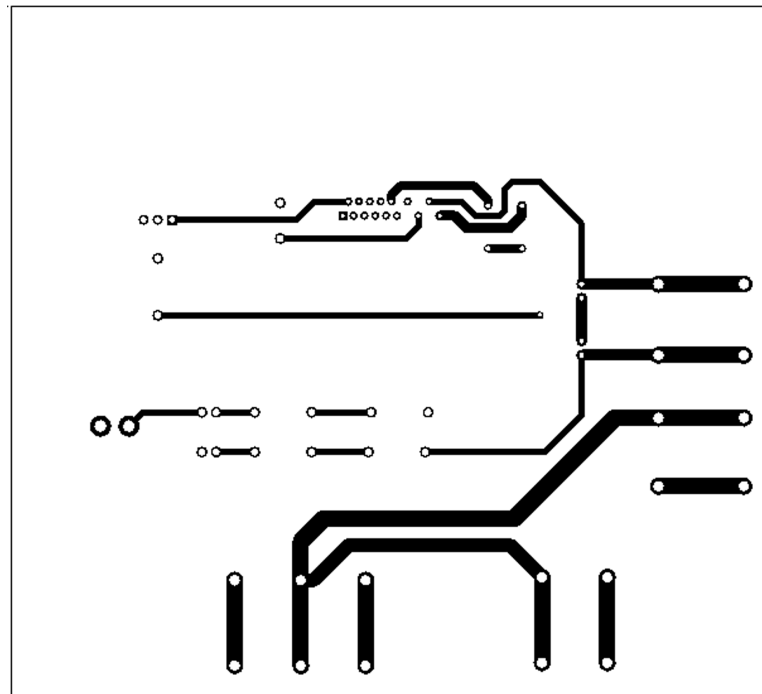
- a) Make use of symmetrical placement of components.
- b) Make high current traces, such as output path traces, as wide as possible to accommodate output stage current requirement.
- c) To reduce the PCB trace resistance and inductance, same ground returns paths should be as short as possible. If possible, make the output traces short and equal in length.
- d) To reduce the PCB trace resistance and inductance, ground returns paths should be as short as possible.
- e) If possible, star ground or a single point ground should be observed. Advanced planning before starting the PCB can improve audio performance.

# Demonstration Board Layout



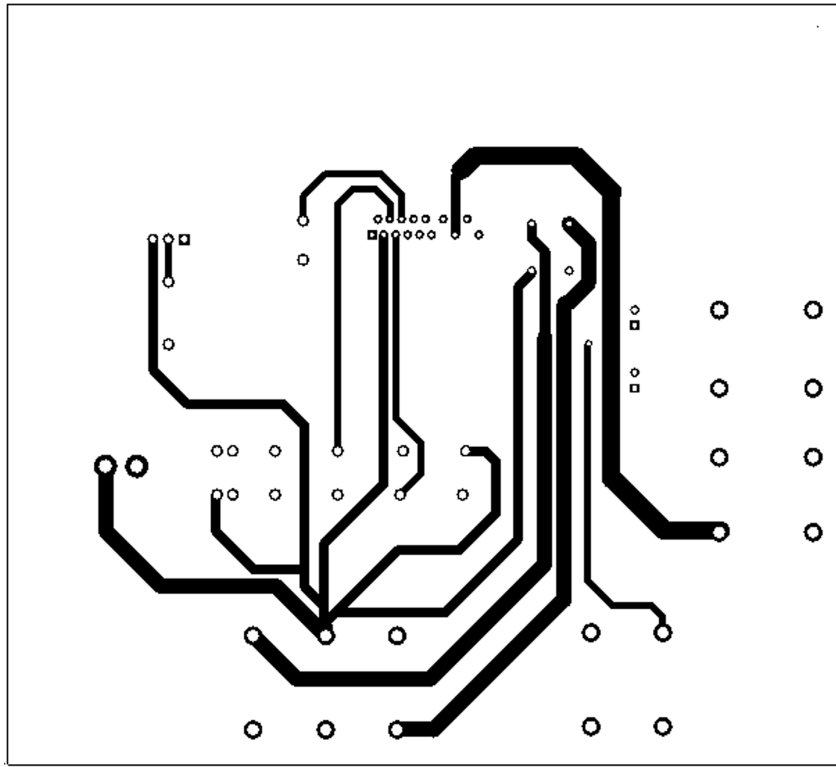
Silkscreen Layer

30004815



Top Layer

30004816



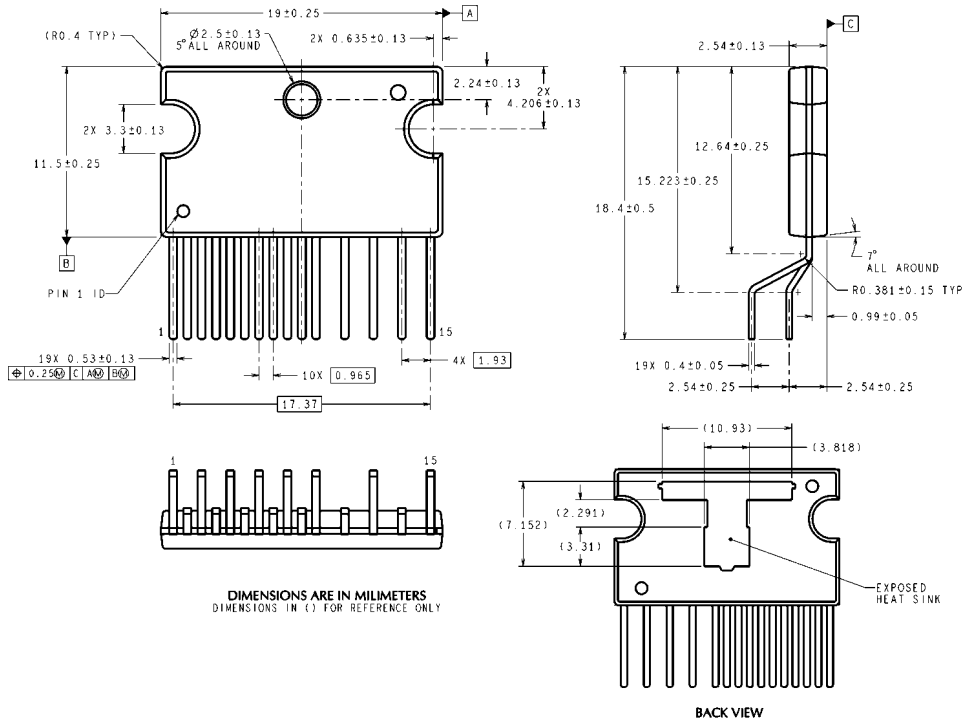
Bottom Layer

30004814

## Revision History

Rev	Date	Description
1.0	12/19/07	Initial release.
1.01	01/04/08	Edited the project title (replaced "Driver" with "Power Amplifier Input Stage").

**Physical Dimensions** inches (millimeters) unless otherwise noted



DIMENSIONS ARE IN MILLIMETERS  
DIMENSIONS IN ( ) FOR REFERENCE ONLY

BACK VIEW

TB15A (Rev A)

**Non-Isolated TO-247 15 Lead Package  
NS Package Number TB15A**



# Notes

LME49811

## Notes

For more National Semiconductor product information and proven design tools, visit the following Web sites at:

Products		Design Support	
Amplifiers	<a href="http://www.national.com/amplifiers">www.national.com/amplifiers</a>	WEBENCH	<a href="http://www.national.com/webench">www.national.com/webench</a>
Audio	<a href="http://www.national.com/audio">www.national.com/audio</a>	Analog University	<a href="http://www.national.com/AU">www.national.com/AU</a>
Clock Conditioners	<a href="http://www.national.com/timing">www.national.com/timing</a>	App Notes	<a href="http://www.national.com/appnotes">www.national.com/appnotes</a>
Data Converters	<a href="http://www.national.com/adc">www.national.com/adc</a>	Distributors	<a href="http://www.national.com/contacts">www.national.com/contacts</a>
Displays	<a href="http://www.national.com/displays">www.national.com/displays</a>	Green Compliance	<a href="http://www.national.com/quality/green">www.national.com/quality/green</a>
Ethernet	<a href="http://www.national.com/ethernet">www.national.com/ethernet</a>	Packaging	<a href="http://www.national.com/packaging">www.national.com/packaging</a>
Interface	<a href="http://www.national.com/interface">www.national.com/interface</a>	Quality and Reliability	<a href="http://www.national.com/quality">www.national.com/quality</a>
LVDS	<a href="http://www.national.com/lvds">www.national.com/lvds</a>	Reference Designs	<a href="http://www.national.com/refdesigns">www.national.com/refdesigns</a>
Power Management	<a href="http://www.national.com/power">www.national.com/power</a>	Feedback	<a href="http://www.national.com/feedback">www.national.com/feedback</a>
Switching Regulators	<a href="http://www.national.com/switchers">www.national.com/switchers</a>		
LDOs	<a href="http://www.national.com/ldo">www.national.com/ldo</a>		
LED Lighting	<a href="http://www.national.com/led">www.national.com/led</a>		
PowerWise	<a href="http://www.national.com/powerwise">www.national.com/powerwise</a>		
Serial Digital Interface (SDI)	<a href="http://www.national.com/sdi">www.national.com/sdi</a>		
Temperature Sensors	<a href="http://www.national.com/tempsensors">www.national.com/tempsensors</a>		
Wireless (PLL/VCO)	<a href="http://www.national.com/wireless">www.national.com/wireless</a>		

THE CONTENTS OF THIS DOCUMENT ARE PROVIDED IN CONNECTION WITH NATIONAL SEMICONDUCTOR CORPORATION ("NATIONAL") PRODUCTS. NATIONAL MAKES NO REPRESENTATIONS OR WARRANTIES WITH RESPECT TO THE ACCURACY OR COMPLETENESS OF THE CONTENTS OF THIS PUBLICATION AND RESERVES THE RIGHT TO MAKE CHANGES TO SPECIFICATIONS AND PRODUCT DESCRIPTIONS AT ANY TIME WITHOUT NOTICE. NO LICENSE, WHETHER EXPRESS, IMPLIED, ARISING BY ESTOPPEL OR OTHERWISE, TO ANY INTELLECTUAL PROPERTY RIGHTS IS GRANTED BY THIS DOCUMENT.

TESTING AND OTHER QUALITY CONTROLS ARE USED TO THE EXTENT NATIONAL DEEMS NECESSARY TO SUPPORT NATIONAL'S PRODUCT WARRANTY. EXCEPT WHERE MANDATED BY GOVERNMENT REQUIREMENTS, TESTING OF ALL PARAMETERS OF EACH PRODUCT IS NOT NECESSARILY PERFORMED. NATIONAL ASSUMES NO LIABILITY FOR APPLICATIONS ASSISTANCE OR BUYER PRODUCT DESIGN. BUYERS ARE RESPONSIBLE FOR THEIR PRODUCTS AND APPLICATIONS USING NATIONAL COMPONENTS. PRIOR TO USING OR DISTRIBUTING ANY PRODUCTS THAT INCLUDE NATIONAL COMPONENTS, BUYERS SHOULD PROVIDE ADEQUATE DESIGN, TESTING AND OPERATING SAFEGUARDS.

EXCEPT AS PROVIDED IN NATIONAL'S TERMS AND CONDITIONS OF SALE FOR SUCH PRODUCTS, NATIONAL ASSUMES NO LIABILITY WHATSOEVER, AND NATIONAL DISCLAIMS ANY EXPRESS OR IMPLIED WARRANTY RELATING TO THE SALE AND/OR USE OF NATIONAL PRODUCTS INCLUDING LIABILITY OR WARRANTIES RELATING TO FITNESS FOR A PARTICULAR PURPOSE, MERCHANTABILITY, OR INFRINGEMENT OF ANY PATENT, COPYRIGHT OR OTHER INTELLECTUAL PROPERTY RIGHT.

### LIFE SUPPORT POLICY

**NATIONAL'S PRODUCTS ARE NOT AUTHORIZED FOR USE AS CRITICAL COMPONENTS IN LIFE SUPPORT DEVICES OR SYSTEMS WITHOUT THE EXPRESS PRIOR WRITTEN APPROVAL OF THE CHIEF EXECUTIVE OFFICER AND GENERAL COUNSEL OF NATIONAL SEMICONDUCTOR CORPORATION.** As used herein:

Life support devices or systems are devices which (a) are intended for surgical implant into the body, or (b) support or sustain life and whose failure to perform when properly used in accordance with instructions for use provided in the labeling can be reasonably expected to result in a significant injury to the user. A critical component is any component in a life support device or system whose failure to perform can be reasonably expected to cause the failure of the life support device or system or to affect its safety or effectiveness.

National Semiconductor and the National Semiconductor logo are registered trademarks of National Semiconductor Corporation. All other brand or product names may be trademarks or registered trademarks of their respective holders.

Copyright© 2008 National Semiconductor Corporation

For the most current product information visit us at [www.national.com](http://www.national.com)



**National Semiconductor Americas Technical Support Center**  
 Email: [new.feedback@nsc.com](mailto:new.feedback@nsc.com)  
 Tel: 1-800-272-9959

**National Semiconductor Europe Technical Support Center**  
 Email: [europe.support@nsc.com](mailto:europe.support@nsc.com)  
 German Tel: +49 (0) 180 5010 771  
 English Tel: +44 (0) 870 850 4288

**National Semiconductor Asia Pacific Technical Support Center**  
 Email: [ap.support@nsc.com](mailto:ap.support@nsc.com)

**National Semiconductor Japan Technical Support Center**  
 Email: [jpn.feedback@nsc.com](mailto:jpn.feedback@nsc.com)