

54LS48/DM74LS48 BCD to 7-Segment Decoder

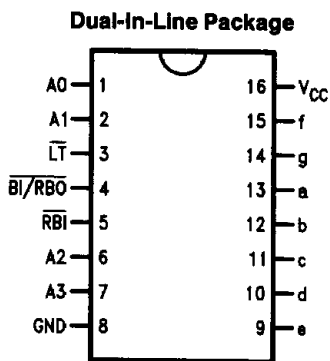
General Description

The 'LS48 translates four lines of BCD (8421) input data into the 7-segment numeral code and provides seven corresponding outputs having pull-up resistors, as opposed to totem pole pull-ups. These outputs can serve as logic signals, with a HIGH output corresponding to a lighted lamp segment, or can provide a 1.3 mA base current to npn lamp

driver transistors. Auxiliary inputs provide lamp test, blanking and cascadable zero-suppression functions.

The 'LS48 decodes the input data in the pattern indicated in the Truth Table and the segment identification illustration.

Connection Diagram



TL/F/10172-1

Order Number 54LS48DMQB, 54LS48FMQB, DM74LS48M, or DM74LS48N
See NS Package Number J16A, M16A, N16E or W16A

Absolute Maximum Ratings (Note)

If Military/Aerospace specified devices are required, please contact the National Semiconductor Sales Office/Distributors for availability and specifications.

Supply Voltage	7V
Input Voltage	7V
Operating Free Air Temperature Range	
54LS	-55°C to +125°C
DM74LS	0°C to +70°C
Storage Temperature Range	-65°C to +150°C

Note: The "Absolute Maximum Ratings" are those values beyond which the safety of the device cannot be guaranteed. The device should not be operated at these limits. The parametric values defined in the "Electrical Characteristics" table are not guaranteed at the absolute maximum ratings. The "Recommended Operating Conditions" table will define the conditions for actual device operation.

Recommended Operating Conditions

Symbol	Parameter	54LS48			DM74LS48			Units
		Min	Nom	Max	Min	Nom	Max	
V _{CC}	Supply Voltage	4.5	5	5.5	4.75	5	5.25	V
V _{IH}	High Level Input Voltage	2			2			V
V _{IL}	Low Level Input Voltage			0.7			0.8	V
I _{OH}	High Level Output Current			-50			-50	μA
I _{OL}	Low Level Output Current			2.0			6.0	mA
T _A	Free Air Operating Temperature	-55		125	0		70	°C

Electrical Characteristics over recommended operating free air temperature range (unless otherwise noted)

Symbol	Parameter	Conditions	Min	Typ (Note 1)	Max	Units
V _I	Input Clamp Voltage	V _{CC} = Min, I _I = -18 mA			-1.5	V
V _{OH}	High Level Output Voltage	V _{CC} Min, I _{OH} = Max, V _{IL} = Max	54LS DM74	2.4		V
I _{OFF}	Output High Current Segment Outputs	V _{CC} = Min, V _O = 0.85V		-1.3		mA
V _{OL}	Low Level Output Voltage	V _{CC} = Min, I _{OL} = Max, V _{IH} = Min	54LS DM74		0.4 0.5	V
		I _{OL} = 2.0 mA, V _{CC} = Min	DM74		0.4	
I _I	Input Current @ Max Input Voltage	V _{CC} = Max, V _I = 10V			0.1	mA
I _{IH}	High Level Input Current	V _{CC} = Max, V _I = 2.7V			20	μA
I _{IL}	Low Level Input Current	V _{CC} = Max, V _I = 0.4V			-0.4	mA
I _{OS}	Short Circuit Output Current	V _{CC} = Max, V _O = 0V at BI/RBO (Note 2)	54LS DM74	-0.3 -0.3	-2 -2	mA
I _{CCH}	Supply Current	V _{CC} = Max, V _{IN} = 4.5V			38	mA

Note 1: All typicals are at V_{CC} = 5V, T_A = 25°C.

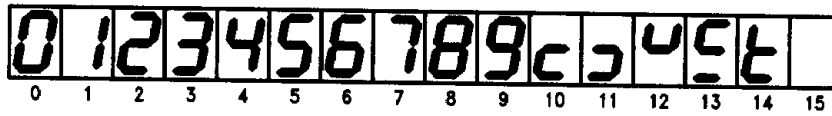
Note 2: Not more than one output should be shorted at a time, and the duration should not exceed one second.

Switching Characteristics at V_{CC} = 5V and T_A = 25°C (See Section 1 for Test Waveforms and Output Load)

Symbol	Parameter	C _L = 15 pF		Units
		Min	Max	
t _{PLH} t _{PHL}	Propagation Delay Time A _n to a-g		100 100	ns
t _{PLH} t _{PHL}	Propagation Delay Time RBI to a-f		100 100	ns

Note: \bar{L} = HIGH, A₀-A₃ = HIGH.

Numerical Designations—Resultant Displays



TL/F/10172-4

LS48

Truth Table

Decimal Or Function	Inputs						Outputs							
	LT	RBI	A ₃	A ₂	A ₁	A ₀	BI/RBO	a	b	c	d	e	f	g
0 (Note 1)	H	H	L	L	L	L	H	H	H	H	H	H	H	L
1 (Note 1)	H	X	L	L	L	H	H	L	H	H	L	L	L	L
2	H	X	L	L	H	L	H	H	H	L	H	H	L	H
3	H	X	L	L	H	H	H	H	H	H	H	L	L	H
4	H	X	L	H	L	L	H	L	H	H	L	L	H	H
5	H	X	L	H	L	H	H	H	L	H	H	L	H	H
6	H	X	L	H	H	L	H	L	L	H	H	H	H	H
7	H	X	L	H	H	H	H	H	H	H	L	L	L	L
8	H	X	H	L	L	L	H	H	H	H	H	H	H	H
9	H	X	H	L	L	H	H	H	H	H	L	L	H	H
10	H	X	H	L	H	L	H	L	L	L	H	H	L	H
11	H	X	H	L	H	H	H	L	L	H	H	L	L	H
12	H	X	H	H	L	L	H	L	H	L	L	L	H	H
13	H	X	H	H	L	H	H	H	L	L	H	L	H	H
14	H	X	H	H	H	L	H	L	L	L	H	H	H	H
15	H	X	H	H	H	H	H	L	L	L	L	L	L	L
$\overline{\text{BI}}$ (Note 2)	X	X	X	X	X	X	L	L	L	L	L	L	L	L
$\overline{\text{RBI}}$ (Note 3)	H	L	L	L	L	L	L	L	L	L	L	L	L	L
$\overline{\text{LT}}$ (Note 4)	L	X	X	X	X	X	H	H	H	H	H	H	H	H

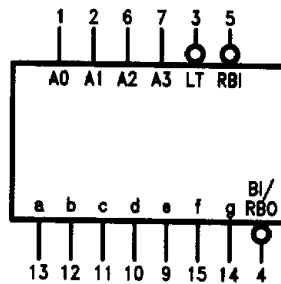
Note 1: BI/RBO is wired-AND logic serving as blanking input ($\overline{\text{BI}}$) and/or ripple-blanking output ($\overline{\text{RBO}}$). The blanking out ($\overline{\text{BI}}$) must be open or held at a HIGH level when output functions 0 through 15 are desired, and ripple-blanking input ($\overline{\text{RBI}}$) must be open or at a HIGH level if blanking of a decimal 0 is not desired. X = input may be HIGH or LOW.

Note 2: When a LOW level is applied to the blanking input (forced condition) all segment outputs go to a LOW level, regardless of the state of any other input condition.

Note 3: When ripple-blanking input ($\overline{\text{RBI}}$) and inputs A₀, A₁, A₂, and A₃ are at LOW level, with the lamp test input at HIGH level, all segment outputs go to a LOW level and the ripple-blanking output ($\overline{\text{RBO}}$) goes to a LOW level (response condition).

Note 4: When the blanking input/ripple-blanking output ($\overline{\text{BI/RBO}}$) is open or held at a HIGH level, and a LOW level is applied to lamp test input, all segment outputs go to a HIGH level.

Logic Symbol

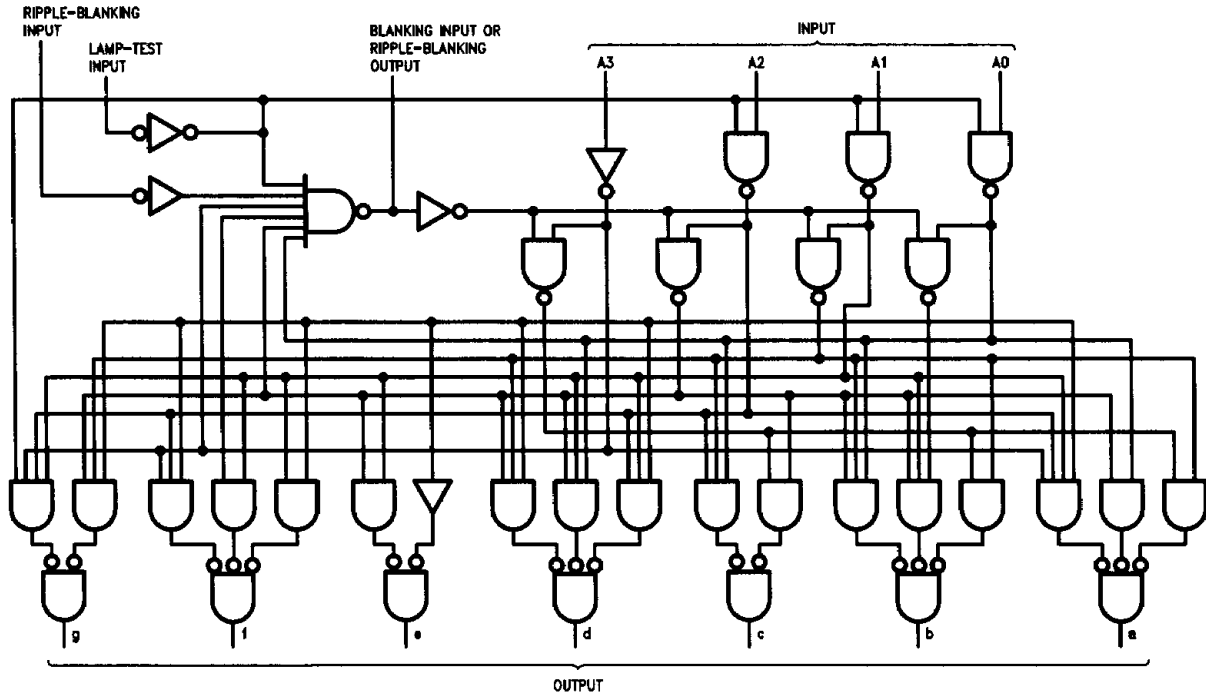


V_{CC} = Pin 16
GND = Pin 8

TL/F/10172-2

2

Logic Diagram



TL/F/10172-3