

DM54LS469/DM74LS469 8-Bit Up/Down Counter

General Description

The 'LS469 is an 8-bit synchronous up/down counter with parallel load and hold capability. Three function-select inputs (\overline{LD} , \overline{UD} , \overline{CBI}) provide one of four operations which occur synchronously on the rising edge of the clock (CK).

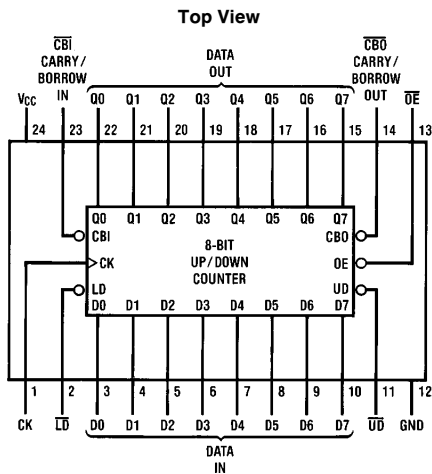
The LOAD operation loads the inputs (D_7-D_0) into the output register (Q_7-Q_0). The HOLD operation holds the previous value regardless of clock transitions. The INCREMENT operation adds one to the output register when the carry-in input is TRUE ($\overline{CBI} = \text{LOW}$), otherwise the operation is a HOLD. The carry-out (\overline{CBO}) is TRUE ($\overline{CBO} = \text{LOW}$) when the output register (Q_7-Q_0) is all HIGHS, otherwise FALSE ($\overline{CBO} = \text{HIGH}$). The DECREMENT operation subtracts one from the output register when the borrow-in input is TRUE ($\overline{CBI} = \text{LOW}$), otherwise the operation is a HOLD. The borrow-out (\overline{CBO}) is TRUE ($\overline{CBO} = \text{LOW}$) when the output register (Q_7-Q_0) is all LOWs, otherwise FALSE ($\overline{CBO} = \text{HIGH}$).

The output register (Q_7-Q_0) is enabled when \overline{OE} is LOW, and disabled (HI-Z) when \overline{OE} is HIGH. The output drivers will sink the 24 mA required for many bus-interface standards. Two or more 'LS469 octal up/down counters may be cascaded to provide larger counters.

Features/Benefits

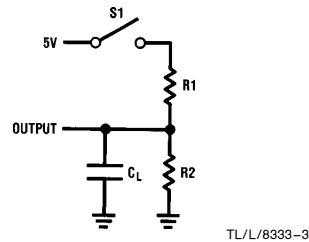
- 8-bit up/down counter for microprogram-counter, DMA controller and general-purpose counting applications
- 8 bits matches byte boundaries
- Bus-structured pinout
- 24-pin SKINNYDIP saves space
- TRI-STATE® outputs drive bus lines
- Low current PNP inputs reduce loading
- Expandable in 8-bit increments

Connection Diagram



Order Number **DM54LS469J**,
DM74LS469J or **DM74LS469N**
 See NS Package Number **J24F** or **N24C**

Standard Test Load



Function Table

\overline{OE}	CK	\overline{LD}	\overline{UD}	\overline{CBI}	D7-D0	Q7-Q0	Operation
H	X	X	X	X	X	Z	HI-Z
L	↑	L	X	X	D	D	LOAD
L	↑	H	L	H	X	Q	HOLD
L	↑	H	L	L	X	Q plus 1	INCREMENT
L	↑	H	H	H	X	Q	HOLD
L	↑	H	H	L	X	Q minus 1	DECREMENT

TRI-STATE® is a registered trademark of National Semiconductor Corp.

Absolute Maximum Ratings

If Military/Aerospace specified devices are required, please contact the National Semiconductor Sales Office/Distributors for availability and specifications.

Supply Voltage V_{CC} 7V
Input Voltage 5.5V

Off-State Output Voltage 5.5V
Storage Temperature -65°C to $+150^{\circ}\text{C}$

Operating Conditions

Symbol	Parameter	Military			Commercial			Units
		Min	Typ	Max	Min	Typ	Max	
V_{CC}	Supply Voltage	4.5	5	5.5	4.75	5	5.25	V
T_A	Operating Free-Air Temperature	-55		125*	0		75	$^{\circ}\text{C}$
t_W	Width of Clock	Low	40		35	10		ns
		High	30		25			
t_{SU}	Set Up Time	60			50			ns
t_h	Hold Time	0	-15		0	-15		

*Case Temperature

Electrical Characteristics Over Operating Conditions

Symbol	Parameter	Test Conditions	Min	Typ†	Max	Units	
V_{IL}	Low-Level Input Voltage				0.8	V	
V_{IH}	High-Level Input Voltage		2			V	
V_{IC}	Input Clamp Voltage	$V_{CC} = \text{MIN}$ $I_I = -18 \text{ mA}$			-1.5	V	
I_{IL}	Low-Level Input Current	$V_{CC} = \text{MAX}$ $V_I = 0.4 \text{ V}$			-0.25	mA	
I_{IH}	High-Level Input Current	$V_{CC} = \text{MAX}$ $V_I = 2.4 \text{ V}$			25	μA	
I_I	Maximum Input Current	$V_{CC} = \text{MAX}$ $V_I = 5.5 \text{ V}$			1	mA	
V_{OL}	Low-Level Output Voltage	$V_{CC} = \text{MIN}$ $V_{IL} = 0.8 \text{ V}$ $V_{IH} = 2 \text{ V}$	MIL	$I_{OL} = 12 \text{ mA}$		0.5	V
			COM	$I_{OL} = 24 \text{ mA}$			
V_{OH}	High-Level Output Voltage	$V_{CC} = \text{MIN}$ $V_{IL} = 0.8 \text{ V}$ $V_{IH} = 2 \text{ V}$	MIL	$I_{OH} = -2 \text{ mA}$		2.4	V
			COM	$I_{OH} = -3.2 \text{ mA}$			
I_{OZL}	Off-State Output Current	$V_{CC} = \text{MAX}$ $V_{IL} = 0.8 \text{ V}$ $V_{IH} = 2 \text{ V}$	$V_O = 0.4 \text{ V}$		-100	μA	
I_{OZH}			$V_O = 2.4 \text{ V}$		100	μA	
I_{OS}	Output Short-Circuit Current*	$V_{CC} = 5.0 \text{ V}$	$V_O = 0 \text{ V}$		-30	-130	mA
I_{CC}	Supply Current	$V_{CC} = \text{MAX}$		120	180	mA	

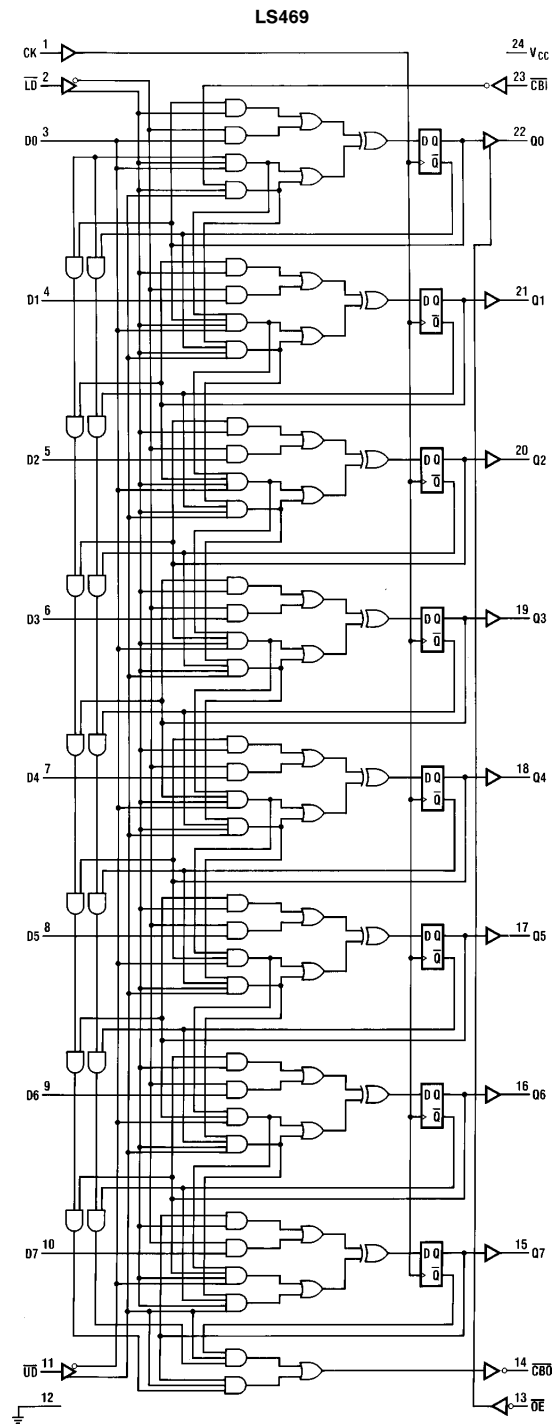
*No more than one output should be shorted at a time and duration of the short-circuit should not exceed one second

† All typical values are $V_{CC} = 5 \text{ V}$, $T_A = 25^{\circ}\text{C}$.

Switching Characteristics Over Operating Conditions

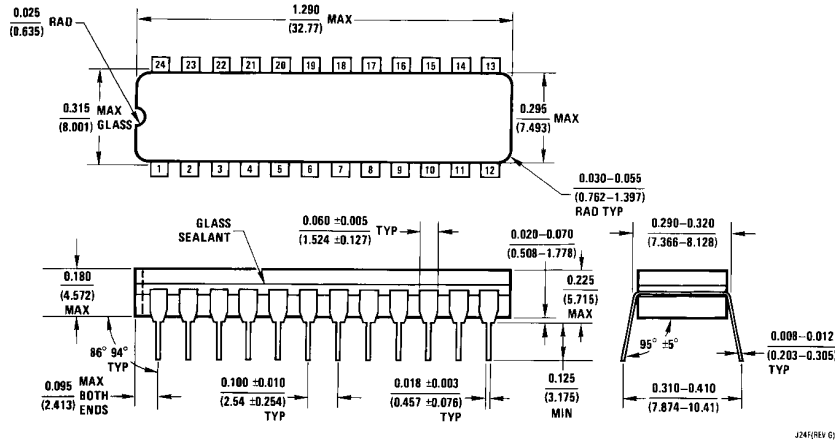
Symbol	Parameter	Test Conditions (See Test Load/Waveforms)	Military			Commercial			Units
			Min	Typ	Max	Min	Typ	Max	
f_{MAX}	Maximum Clock Frequency	$C_L = 50 \text{ pF}$ $R_1 = 200 \Omega$ $R_2 = 390 \Omega$	10.5			12.5			MHz
t_{PD}	$\overline{\text{CB}}\overline{\text{I}}$ to $\overline{\text{CB}}\overline{\text{O}}$ Delay			35	60		35	50	ns
t_{PD}	Clock to Q			20	35		20	30	ns
t_{PD}	Clock to CBO			55	95		55	80	ns
t_{PZX}	Output Enable Delay			20	45		20	35	ns
t_{PXZ}	Output Disable Delay			20	45		20	35	ns

Logic Diagram

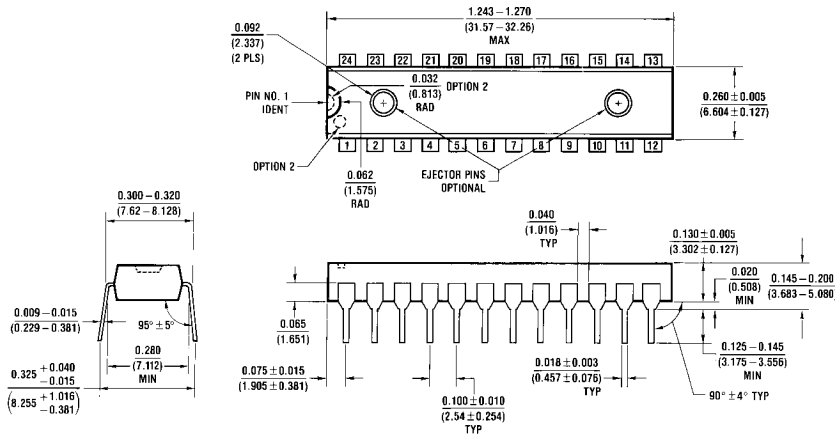


TL/L/8333-2

Physical Dimensions inches (millimeters)



24-Pin Narrow Ceramic Dual-In-Line Package (J)
 Order Number DM54LS469J or DM74LS469J
 NS Package Number J24F



24-Pin Narrow Plastic Dual-In-Line Package (N)
 Order Number DM74LS469N
 NS Package Number N24C

LIFE SUPPORT POLICY

NATIONAL'S PRODUCTS ARE NOT AUTHORIZED FOR USE AS CRITICAL COMPONENTS IN LIFE SUPPORT DEVICES OR SYSTEMS WITHOUT THE EXPRESS WRITTEN APPROVAL OF THE PRESIDENT OF NATIONAL SEMICONDUCTOR CORPORATION. As used herein:

1. Life support devices or systems are devices or systems which, (a) are intended for surgical implant into the body, or (b) support or sustain life, and whose failure to perform, when properly used in accordance with instructions for use provided in the labeling, can be reasonably expected to result in a significant injury to the user.
2. A critical component is any component of a life support device or system whose failure to perform can be reasonably expected to cause the failure of the life support device or system, or to affect its safety or effectiveness.

 <p>National Semiconductor Corporation 1111 West Bardin Road Arlington, TX 76017 Tel: (800) 272-9959 Fax: (800) 737-7018</p>	<p>National Semiconductor Europe Fax: (+49) 0-180-530 85 86 Email: cnjwge@tevm2.nsc.com Deutsch Tel: (+49) 0-180-530 85 85 English Tel: (+49) 0-180-532 78 32 Français Tel: (+49) 0-180-532 93 58 Italiano Tel: (+49) 0-180-534 16 80</p>	<p>National Semiconductor Hong Kong Ltd. 19th Floor, Straight Block, Ocean Centre, 5 Canton Rd. Tsimshatsui, Kowloon Hong Kong Tel: (852) 2737-1600 Fax: (852) 2736-9960</p>	<p>National Semiconductor Japan Ltd. Tel: 81-043-299-2309 Fax: 81-043-299-2408</p>
--	--	---	---

National does not assume any responsibility for use of any circuitry described, no circuit patent licenses are implied and National reserves the right at any time without notice to change said circuitry and specifications.