

DM74LS353

Dual 4-Input Multiplexer with TRI-STATE® Outputs

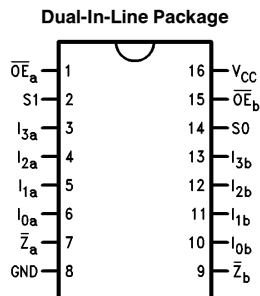
General Description

The '353 is a dual 4-input multiplexer with TRI-STATE outputs. It can select two bits of data from four sources using common select inputs. The outputs may be individually switched to a high impedance state with a HIGH on the respective Output (\overline{OE}) inputs, allowing the outputs to interface directly with bus oriented systems. It is fabricated with the Schottky barrier diode process for high speed and is completely compatible with all National TTL families.

Features

- Inverted version of 'LS253
- Schottky process for high speed
- Multifunction capability

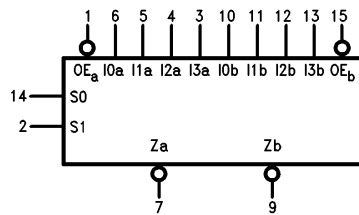
Connection Diagram



TL/F/10185-1

Order Number **DM74LS353M** or **DM74LS353N**
See NS Package Number **M16A** or **N16E**

Logic Symbol



TL/F/10185-2

V_{CC} = Pin 16
GND = Pin 8

Pin Names	Description
I0a–I3a	Side A Data Inputs
I0b–I3b	Side B Data Inputs
S0, S1	Common Select Inputs
\overline{OE}_a	Side A Output Enable Input (Active Low)
\overline{OE}_b	Side B Output Enable Input (Active Low)
$\overline{Z}_a, \overline{Z}_b$	TRI-STATE Outputs (Inverted)

TRI-STATE® is a registered trademark of National Semiconductor Corporation.

Absolute Maximum Ratings (Note)

Supply Voltage	7V
Input Voltage	7V
Operating Free Air Temperature Range	0°C to +70°C
Storage Temperature Range	-65°C to +150°C

Note: The "Absolute Maximum Ratings" are those values beyond which the safety of the device cannot be guaranteed. The device should not be operated at these limits. The parametric values defined in the "Electrical Characteristics" table are not guaranteed at the absolute maximum ratings. The "Recommended Operating Conditions" table will define the conditions for actual device operation.

Recommended Operating Conditions

Symbol	Parameter	Min	Nom	Max	Units
V _{CC}	Supply Voltage	4.75	5	5.25	V
V _{IH}	High Level Input Voltage	2			V
V _{IL}	Low Level Input Voltage			0.8	V
I _{OH}	High Level Output Current			-2.6	mA
I _{OL}	Low Level Output Current			24	mA
T _A	Free Air Operating Temperature	0		70	°C

Electrical Characteristics over recommended operating free air temperature range (unless otherwise noted)

Symbol	Parameter	Conditions	Min	Typ (Note 1)	Max	Units
V _I	Input Clamp Voltage	V _{CC} = Min, I _I = -18 mA			-1.5	V
V _{OH}	High Level Output Voltage	V _{CC} = Min, I _{OH} = Max, V _{IL} = Max	2.7			V
V _{OL}	Low Level Output Voltage	V _{CC} = Min, I _{OL} = Max, V _{IH} = Min			0.5	V
		I _{OL} = 4 mA, V _{CC} = Min			0.4	
I _I	Input Current @ Max Input Voltage	V _{CC} = Max, V _I = 7V			0.1	mA
I _{IH}	High Level Input Current	V _{CC} = Max, V _I = 2.7V			20	μA
I _{IL}	Low Level Input Current	V _{CC} = Max, V _I = 0.4V			-0.4	mA
I _{OS}	Short Circuit Output Current	V _{CC} = Max (Note 2)	-30		-130	mA
I _{CCL}	Supply Current Outputs HIGH	V _{CC} = Max, I _n , S _n , \overline{OE}_n = GND			12	mA
I _{CCZ}	Supply Current Outputs OFF	V _{CC} = Max, \overline{OE}_n = 4.5V, I _n , S _n = GND			14	mA
I _{OZH}	TRI-STATE Output OFF Current HIGH	V _{CC} = V _{CCH} , V _{OZH} = 2.7V			20	μA
I _{OZL}	TRI-STATE Output OFF Current LOW	V _{CC} = V _{CCH} , V _{OZL} = 0.4V			-20	μA

Note 1: All typicals are at V_{CC} = 5V, T_A = 25°C.

Note 2: Not more than one output should be shorted at a time, and the duration should not exceed one second.

Switching Characteristics

$V_{CC} = +5.0V, T_A = +25^{\circ}C$

Symbol	Parameter	$R_L = 2\text{ k}\Omega, C_L = 50\text{ pF}$		Units
		Min	Max	
t_{PLH} t_{PHL}	Propagation Delay Sn to \bar{Z}_n		24 32	ns
t_{PLH} t_{PHL}	Propagation Delay In to \bar{Z}_n		15 15	ns
t_{PZH} t_{PZL}	Output Enable Time \bar{OE} to Zn		18 18	ns
t_{PHZ} t_{PLZ}	Output Disable Time \bar{OE} to Zn		18 18	ns

Functional Description

The 'LS353 contains two identical 4-input multiplexers with TRI-STATE outputs. They select two bits from four sources selected by common Select inputs (S0, S1). The 4-input multiplexers have individual Output Enable (\bar{OE}_a, \bar{OE}_b) inputs which when HIGH, force the outputs to a high impedance (high Z) state. The logic equations for the outputs are shown below:

If the outputs of TRI-STATE devices are tied together, all but one device must be in the high impedance state to avoid high currents that would exceed the maximum ratings. Designers should ensure that Output Enable signals to TRI-STATE devices whose outputs are tied together are designed so that there is no overlap.

$$\bar{Z}_a = \bar{OE}_a \cdot (I0a \cdot \bar{S}1 \cdot \bar{S}0 + I1a \cdot \bar{S}1 \cdot S0 + I2a \cdot S1 \cdot \bar{S}0 + I3a \cdot S1 \cdot S0)$$

$$\bar{Z}_b = \bar{OE}_b \cdot (I0b \cdot \bar{S}1 \cdot \bar{S}0 + I1b \cdot \bar{S}1 \cdot S0 + I2b \cdot S1 \cdot \bar{S}0 + I3b \cdot S1 \cdot S0)$$

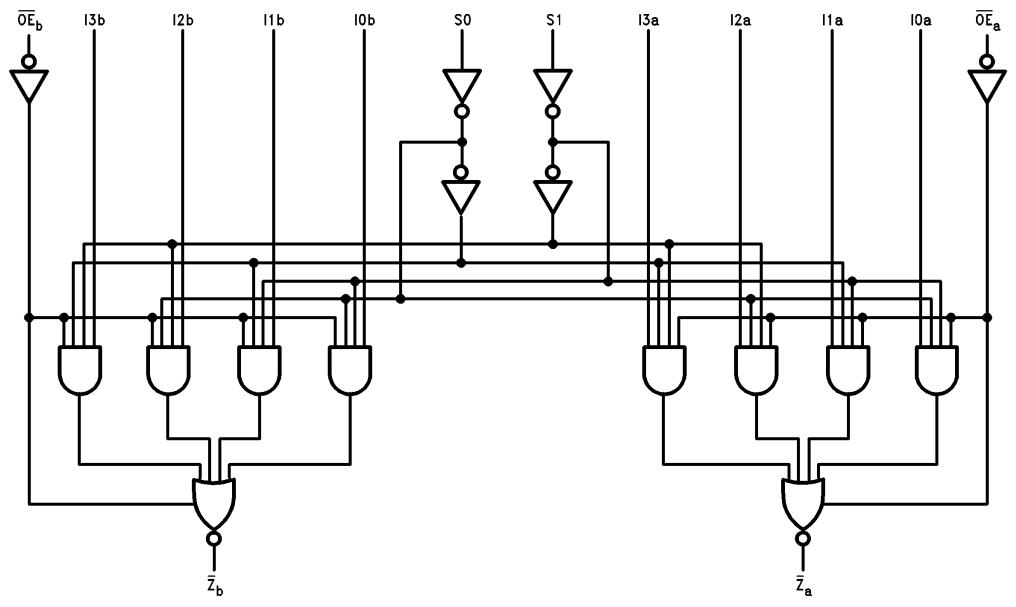
Truth Table

Select Inputs		Data Inputs				Output Enable	Output
S0	S1	I0	I1	I2	I3	\bar{OE}	\bar{Z}
X	X	X	X	X	X	H	(Z)
L	L	L	X	X	X	L	H
L	L	H	X	X	X	L	L
H	L	X	L	X	X	L	H
H	L	X	H	X	X	L	L
L	H	X	X	L	X	L	H
L	H	X	X	H	X	L	L
H	H	X	X	X	L	L	H
H	H	X	X	X	H	L	L

Address inputs S0 and S1 are common to both sections.

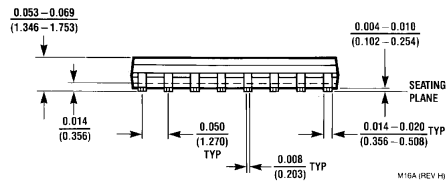
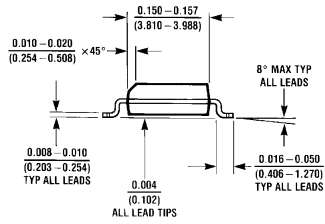
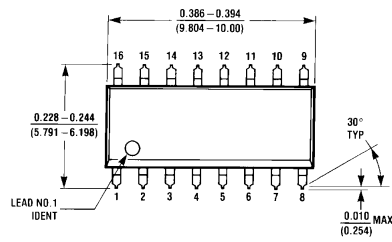
H = HIGH Voltage Level
L = LOW Voltage Level
X = Immaterial
(Z) = High Impedance

Logic Diagram



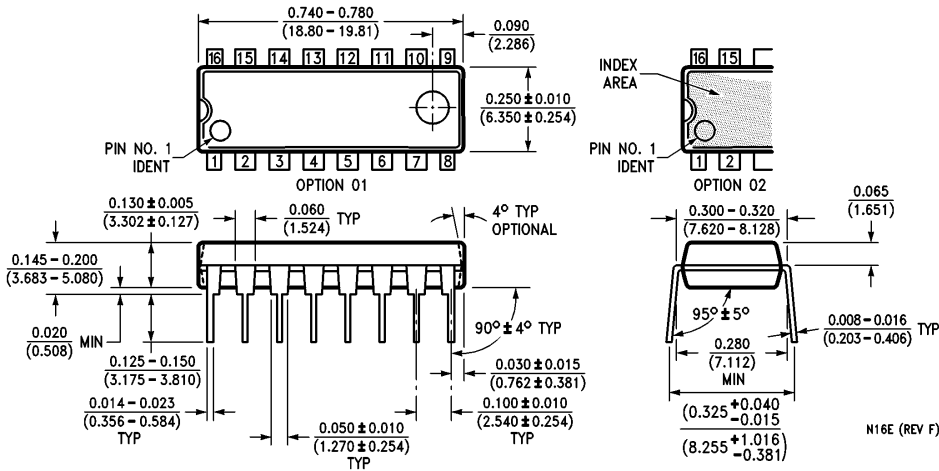
TL/F/10185-3

Physical Dimensions inches (millimeters)



16-Lead Small Outline Molded Package (M)
Order Number DM74LS353M
NS Package Number M16A

Physical Dimensions inches (millimeters) (Continued)



16-Lead Molded Dual-In-Line Package (N)
Order Number DM74LS353N
NS Package Number N16E

LIFE SUPPORT POLICY

NATIONAL'S PRODUCTS ARE NOT AUTHORIZED FOR USE AS CRITICAL COMPONENTS IN LIFE SUPPORT DEVICES OR SYSTEMS WITHOUT THE EXPRESS WRITTEN APPROVAL OF THE PRESIDENT OF NATIONAL SEMICONDUCTOR CORPORATION. As used herein:

1. Life support devices or systems are devices or systems which, (a) are intended for surgical implant into the body, or (b) support or sustain life, and whose failure to perform, when properly used in accordance with instructions for use provided in the labeling, can be reasonably expected to result in a significant injury to the user.
2. A critical component is any component of a life support device or system whose failure to perform can be reasonably expected to cause the failure of the life support device or system, or to affect its safety or effectiveness.



National Semiconductor Corporation
 1111 West Bardin Road
 Arlington, TX 76017
 Tel: 1(800) 272-9959
 Fax: 1(800) 737-7018

National Semiconductor Europe
 Fax: (+49) 0-180-530 85 86
 Email: onjwge@tevm2.nsc.com
 Deutsch Tel: (+49) 0-180-530 85 85
 English Tel: (+49) 0-180-532 78 32
 Français Tel: (+49) 0-180-532 93 58
 Italiano Tel: (+49) 0-180-534 16 80

National Semiconductor Hong Kong Ltd.
 19th Floor, Straight Block,
 Ocean Centre, 5 Canton Rd.
 Tsimshatsui, Kowloon
 Hong Kong
 Tel: (852) 2737-1600
 Fax: (852) 2736-9960

National Semiconductor Japan Ltd.
 Tel: 81-043-299-2309
 Fax: 81-043-299-2408

National does not assume any responsibility for use of any circuitry described, no circuit patent licenses are implied and National reserves the right at any time without notice to change said circuitry and specifications.