



## DM74LS290 4-Bit Decade Counter

### General Description

The 'LS290 counter is electrically and functionally identical to the 'LS90. Only the arrangement of the terminals has been changed for the 'LS290.

Each of these monolithic counters contains four master-slave flip-flops and additional gating to provide a divide-by-two counter and a three-stage binary counter for which the count cycle length is divide-by-five.

This counter has a gated zero reset and gated set-to-nine inputs for use in BCD nine's complement applications.

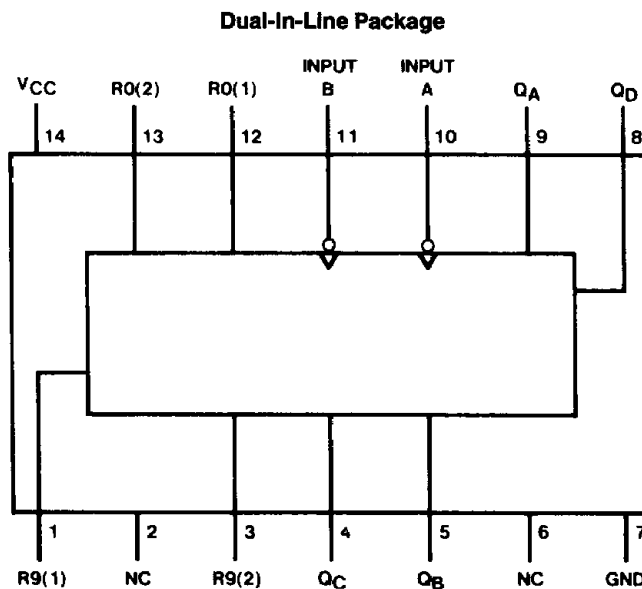
To use the maximum count length (decade) of this counter, the B input is connected to the  $Q_A$  output. The input count pulses are applied to input A and the outputs are as de-

scribed in the appropriate function table. A symmetrical divide-by-ten count can be obtained from the 'LS290 counter by connecting the  $Q_D$  output to the A input and applying the input count to the B input which gives a divide-by-ten square wave at output  $Q_A$ .

### Features

- GND and  $V_{CC}$  on Corner Pins (Pins 7 and 14 respectively)
- Typical power dissipation 45 mW
- Count frequency 42 MHz

### Connection Diagram



Order Number DM74LS290M or DM74LS290N  
See NS Package Number M14A or N14A

TL/F/6422-1

## Absolute Maximum Ratings (Note)

If Military/Aerospace specified devices are required, please contact the National Semiconductor Sales Office/Distributors for availability and specifications.

Supply Voltage	7V
Input Voltage	7V
Operating Free Air Temperature Range	0°C to +70°C
DM74LS	
Storage Temperature Range	-65°C to +150°C

Note: The "Absolute Maximum Ratings" are those values beyond which the safety of the device cannot be guaranteed. The device should not be operated at these limits. The parametric values defined in the "Electrical Characteristics" table are not guaranteed at the absolute maximum ratings. The "Recommended Operating Conditions" table will define the conditions for actual device operation.

## Recommended Operating Conditions

Symbol	Parameter		DM74LS290			Units
			Min	Nom	Max	
V <sub>CC</sub>	Supply Voltage		4.75	5	5.25	V
V <sub>IH</sub>	High Level Input Voltage		2			V
V <sub>IL</sub>	Low Level Input Voltage				0.8	V
I <sub>OH</sub>	High Level Output Current				-0.4	mA
I <sub>OL</sub>	Low Level Output Current				8	mA
f <sub>CLK</sub>	Clock Freq. (Note 1)	A to Q <sub>A</sub>	0		32	MHz
		B to Q <sub>B</sub>	0		16	
f <sub>CLK</sub>	Clock Freq. (Note 2)	A to Q <sub>A</sub>	0		20	MHz
		B to Q <sub>B</sub>	0		10	
t <sub>w</sub>	Pulse Width (Note 6)	A	15			ns
		B	30			
		Reset	15			
t <sub>REL</sub>	Reset Release Time (Note 6)		25			ns
T <sub>A</sub>	Free Air Operating Temperature		0		70	°C

## Electrical Characteristics over recommended operating free air temperature range (unless otherwise noted)

Symbol	Parameter	Conditions	Min	Typ (Note 3)	Max	Units
V <sub>I</sub>	Input Clamp Voltage	V <sub>CC</sub> = Min, I <sub>I</sub> = -18 mA			-1.5	V
V <sub>OH</sub>	High Level Output Voltage	V <sub>CC</sub> = Min, I <sub>OH</sub> = Max V <sub>IL</sub> = Max, V <sub>IH</sub> = Min	2.7	3.4		V
V <sub>OL</sub>	Low Level Output Voltage	V <sub>CC</sub> = Min, I <sub>OL</sub> = Max V <sub>IL</sub> = Max, V <sub>IH</sub> = Min		0.35	0.5	V
		I <sub>OL</sub> = 4 mA, V <sub>CC</sub> = Min		0.25	0.4	
I <sub>I</sub>	Input Current @ Max Input Voltage	V <sub>CC</sub> = Max, V <sub>I</sub> = 7V	Reset		0.1	mA
			A		0.2	
			B		0.4	
I <sub>IH</sub>	High Level Input Current	V <sub>CC</sub> = Max, V <sub>I</sub> = 2.7V	Reset		20	μA
			A		40	
			B		80	
I <sub>IL</sub>	Low Level Input Current	V <sub>CC</sub> = Max V <sub>I</sub> = 0.4V	Reset		-0.4	mA
			A		-2.4	
			B		-3.2	
I <sub>OS</sub>	Short Circuit Output Current	V <sub>CC</sub> = Max (Note 4)	-20		-100	mA
I <sub>CC</sub>	Supply Current	V <sub>CC</sub> = Max (Note 5)		9	15	mA

**Switching Characteristics** at  $V_{CC} = 5V$  and  $T_A = 25^\circ C$  (See Section 1 for Test Waveforms and Output Load)

Symbol	Parameter	From (Input) To (Output)	$R_L = 2\text{ k}\Omega$				Units
			$C_L = 15\text{ pF}$		$C_L = 50\text{ pF}$		
			Min	Max	Min	Max	
$f_{MAX}$	Maximum Clock Frequency	A to $Q_A$	32		20		MHz
		B to $Q_B$	16		10		
$t_{PLH}$	Propagation Delay Time Low to High Level Output	A to $Q_A$		16		23	ns
$t_{PHL}$	Propagation Delay Time High to Low Level Output	A to $Q_A$		18		30	ns
$t_{PLH}$	Propagation Delay Time Low to High Level Output	A to $Q_D$		48		60	ns
$t_{PHL}$	Propagation Delay Time High to Low Level Output	A to $Q_D$		50		68	ns
$t_{PLH}$	Propagation Delay Time Low to High Level Output	B to $Q_B$		16		23	ns
$t_{PHL}$	Propagation Delay Time High to Low Level Output	B to $Q_B$		21		35	ns
$t_{PLH}$	Propagation Delay Time Low to High Level Output	B to $Q_C$		32		48	ns
$t_{PHL}$	Propagation Delay Time High to Low Level Output	B to $Q_C$		35		53	ns
$t_{PLH}$	Propagation Delay Time Low to High Level Output	B to $Q_D$		32		48	ns
$t_{PHL}$	Propagation Delay Time High to Low Level Output	B to $Q_D$		35		53	ns
$t_{PLH}$	Propagation Delay Time Low to High Level Output	SET-9 to $Q_A, Q_D$		30		38	ns
$t_{PHL}$	Propagation Delay Time High to Low Level Output	SET-9 to $Q_B, Q_C$		40		53	ns
$t_{PHL}$	Propagation Delay Time High to Low Level Output	SET-0 to Any Q		40		53	ns

**Note 1:**  $C_L = 15\text{ pF}$ ,  $R_L = 2\text{ k}\Omega$ ,  $T_A = 25^\circ C$  and  $V_{CC} = 5V$ .

**Note 2:**  $C_L = 50\text{ pF}$ ,  $R_L = 2\text{ k}\Omega$ ,  $T_A = 25^\circ C$  and  $V_{CC} = 5V$ .

**Note 3:** All typicals are at  $V_{CC} = 5V$ ,  $T_A = 25^\circ C$ .

**Note 4:** Not more than one output should be shorted at a time, and the duration should not exceed one second.

**Note 5:**  $I_{CC}$  is measured with all outputs open, both RO inputs grounded following momentary connection to 4.5V and all other inputs grounded.

**Note 6:**  $T_A = 25^\circ C$  and  $V_{CC} = 5V$ .

### Function Tables

**BCD Count Sequence**  
(See Note A)

Count	Output			
	Q <sub>D</sub>	Q <sub>C</sub>	Q <sub>B</sub>	Q <sub>A</sub>
0	L	L	L	L
1	L	L	L	H
2	L	L	H	L
3	L	L	H	H
4	L	H	L	L
5	L	H	L	H
6	L	H	H	L
7	L	H	H	H
8	H	L	L	L
9	H	L	L	H

**Note A:** Output Q<sub>A</sub> is connected to input B for BCD count

H = High Logic Level

L = Low Logic Level

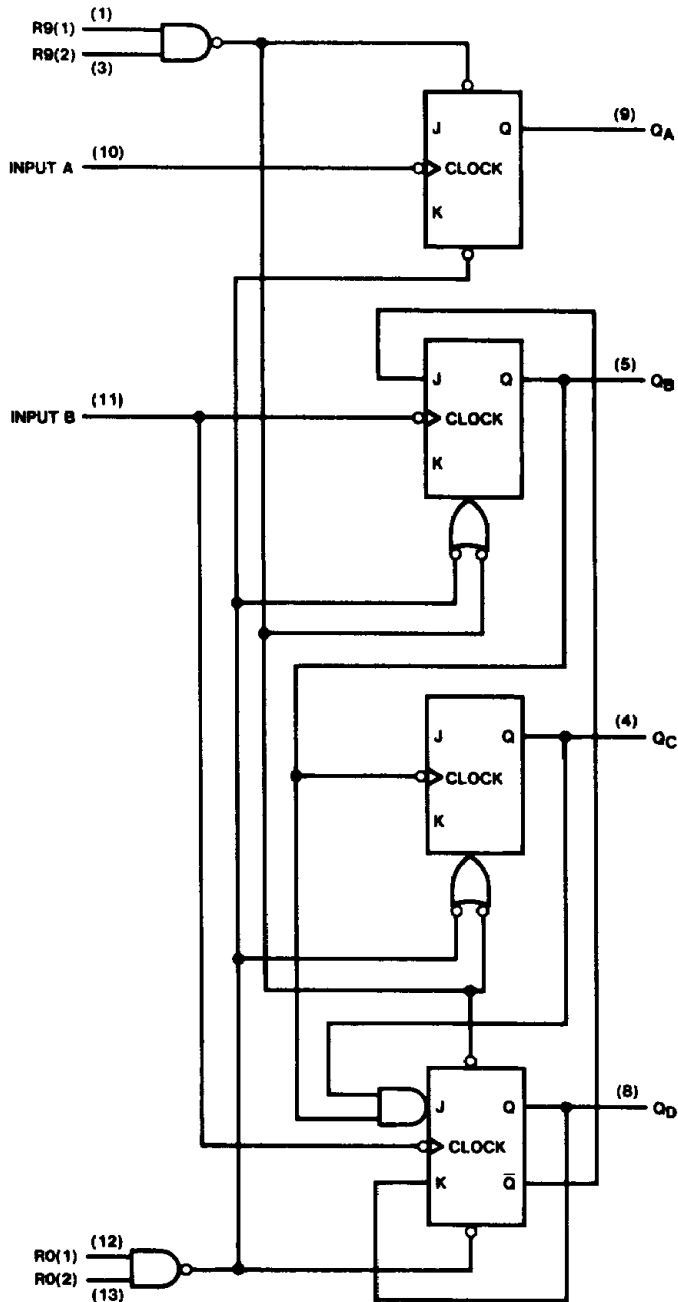
X = Either Low or High Logic Level

**Bi-Quinary (5-2)**  
(See Note B)

Count	Output			
	Q <sub>A</sub>	Q <sub>B</sub>	Q <sub>C</sub>	Q <sub>D</sub>
0	L	L	L	L
1	L	L	L	H
2	L	L	H	L
3	L	L	H	H
4	L	H	L	L
5	H	L	L	L
6	H	L	L	H
7	H	L	H	L
8	H	L	H	H
9	H	H	L	L

**Note B:** Output Q<sub>D</sub> is connected to input A for bi-quinary count.

### Logic Diagram



TL/F/6422-2

**Reset/Count Truth Table**

Reset Inputs				Outputs			
R0(1)	R0(2)	R9(1)	R9(2)	Q <sub>D</sub>	Q <sub>C</sub>	Q <sub>B</sub>	Q <sub>A</sub>
H	H	L	X	L	L	L	L
H	H	X	L	L	L	L	L
X	X	H	H	H	L	L	H
X	L	X	L				COUNT
L	X	L	X				COUNT
L	X	X	L				COUNT
X	L	L	X				COUNT