

74ABT245

Octal Bi-Directional Transceiver with 3-STATE Outputs

Features

- Bidirectional non-inverting buffers
- A and B output sink capability of 64mA, source capability of 32mA
- Guaranteed output skew
- Guaranteed multiple output switching specifications
- Output switching specified for both 50pF and 250pF loads
- Guaranteed simultaneous switching, noise level and dynamic threshold performance
- Guaranteed latchup protection
- High-impedance, glitch-free bus loading during entire power up and power down cycle
- Nondestructive, hot-insertion capability
- Disable time is less than enable time to avoid bus contention

General Description

The ABT245 contains eight non-inverting bidirectional buffers with 3-STATE outputs and is intended for bus-oriented applications. Current sinking capability is 64 mA on both the A and B ports. The Transmit/Receive (T/R) input determines the direction of data flow through the bidirectional transceiver. Transmit (active HIGH) enables data from A Ports to B Ports; Receive (active LOW) enables data from B Ports to A Ports. The Output Enable input, when HIGH, disables both A and B ports by placing them in a HIGH Z condition.

Ordering Information

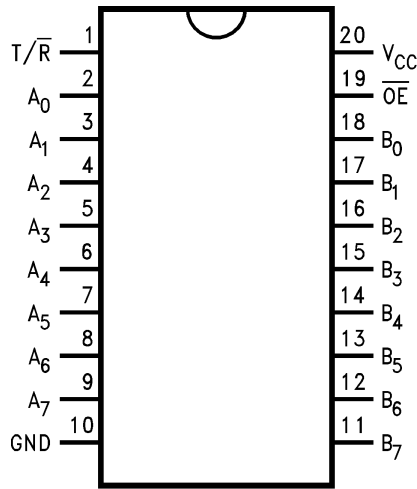
Order Number	Package Number	Package Description
74ABT245CSC	M20B	20-Lead Small Outline Integrated Circuit (SOIC), JEDEC MS-013, 0.300" Wide
74ABT245CSJ	M20D	20-Lead Small Outline Package (SOP), EIAJ TYPE II, 5.3mm Wide
74ABT245CMSA	MSA20	20-Lead Shrink Small Outline Package (SSOP), JEDEC MO-150, 5.3mm Wide
74ABT245CMTC	MTC20	20-Lead Thin Shrink Small Outline Package (TSSOP), JEDEC MO-153, 4.4mm Wide
74ABT245CMTCX_NL ⁽¹⁾	MTC20	20-Lead Thin Shrink Small Outline Package (TSSOP), JEDEC MO-153, 4.4mm Wide

Device also available in Tape and Reel. Specify by appending suffix letter "X" to the ordering number.
Pb-Free package per JEDEC J-STD-020B.

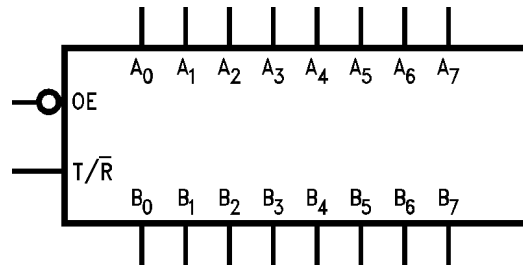
Note:

1. Device available in Tape and Reel only.

Connection Diagram



Logic Symbol



Truth Table

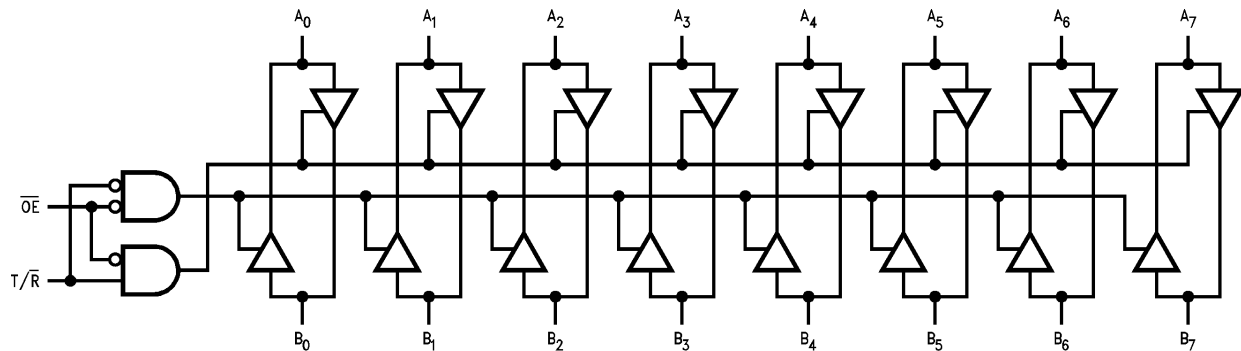
Inputs		Output
\overline{OE}	$\overline{T/R}$	
L	L	Bus B Data to Bus A
L	H	Bus A Data to Bus B
H	X	HIGH Z State

H = HIGH Voltage Level
 L = LOW Voltage Level
 X = Immaterial

Pin Descriptions

Pin Names	Description
\overline{OE}	Output Enable Input (Active LOW)
$\overline{T/R}$	Transmit/Receive Input
A_0-A_7	Side A Inputs or 3-STATE Outputs
B_0-B_7	Side B Inputs or 3-STATE Outputs

Logic Diagram



Absolute Maximum Ratings

Stresses exceeding the absolute maximum ratings may damage the device. The device may not function or be operable above the recommended operating conditions and stressing the parts to these levels is not recommended. In addition, extended exposure to stresses above the recommended operating conditions may affect device reliability. The absolute maximum ratings are stress ratings only.

Symbol	Parameter	Rating
T_{STG}	Storage Temperature	-65°C to +150°C
T_A	Ambient Temperature Under Bias	-55°C to +125°C
T_J	Junction Temperature Under Bias	-55°C to +150°C
V_{CC}	V_{CC} Pin Potential to Ground Pin	-0.5V to +7.0V
V_{IN}	Input Voltage ⁽²⁾	-0.5V to +7.0V
I_{IN}	Input Current ⁽²⁾	-30mA to +5.0mA
V_O	Voltage Applied to Any Output Disabled or Power-off State HIGH State	-0.5V to 5.5V -0.5V to V_{CC}
	Current Applied to Output in LOW State	twice the rated I_{OL} (mA)
	DC Latchup Source Current	-500mA
	Over Voltage Latchup (I/O)	10V

Note:

2. Either voltage limit or current limit is sufficient to protect inputs.

Recommended Operating Conditions

The Recommended Operating Conditions table defines the conditions for actual device operation. Recommended operating conditions are specified to ensure optimal performance to the datasheet specifications. Fairchild does not recommend exceeding them or designing to absolute maximum ratings.

Symbol	Parameter	Rating
T_A	Free Air Ambient Temperature	-40°C to +85°C
V_{CC}	Supply Voltage	+4.5V to +5.5V
$\Delta V / \Delta t$	Minimum Input Edge Rate	
	Data Input	50mV/ns
	Enable Input	20mV/ns

DC Electrical Characteristics

Symbol	Parameter		V _{CC}	Conditions	Min.	Typ.	Max.	Units
V _{IH}	Input HIGH Voltage			Recognized HIGH Signal	2.0			V
V _{IL}	Input LOW Voltage			Recognized LOW Signal			0.8	V
V _{CD}	Input Clamp Diode Voltage		Min.	I _{IN} = -18 mA (\overline{OE} , T/ \overline{R})			-1.2	V
V _{OH}	Output HIGH Voltage		Min.	I _{OH} = -3 mA (A _n , B _n)	2.5			V
			Min.	I _{OH} = -32 mA (A _n , B _n)	2.0			
V _{OL}	Output LOW Voltage		Min.	I _{OL} = 64 mA (A _n , B _n)			0.55	V
I _{IH}	Input HIGH Current		Max.	V _{IN} = 2.7V (\overline{OE} , T/ \overline{R})			1	μA
				V _{IN} = V _{CC} (\overline{OE} , T/ \overline{R})			1	
I _{BVI}	Input HIGH Current Breakdown Test		Max.	V _{IN} = 7.0V (\overline{OE} , T/ \overline{R})			7	μA
I _{BVIT}	Input HIGH Current Breakdown Test (I/O)		Max.	V _{IN} = 5.5V (A _n , B _n)			100	μA
I _{IL}	Input LOW Current		Max.	V _{IN} = 0.5V (\overline{OE} , T/ \overline{R})			-1	μA
				V _{IN} = 0.0V (\overline{OE} , T/ \overline{R})			-1	
V _{ID}	Input Leakage Test		0.0	I _{ID} = 1.9 μA (\overline{OE} , T/ \overline{R}), All Other Pins Grounded	4.75			V
I _{IH} + I _{OZH}	Output Leakage Current		0-5.5V	V _{OUT} = 2.7V (A _n , B _n), \overline{OE} = 2.0V			10	μA
I _{IL} + I _{OZL}	Output Leakage Current		0-5.5V	V _{OUT} = 0.5V (A _n , B _n), \overline{OE} = 2.0V			-10	μA
I _{OS}	Output Short-Circuit Current		Max.	V _{OUT} = 0.0V (A _n , B _n)	-100		-275	mA
I _{CEX}	Output HIGH Leakage Current		Max.	V _{OUT} = V _{CC} (A _n , B _n)			50	μA
I _{ZZ}	Bus Drainage Test		0.0	V _{OUT} = 5.5V (A _n , B _n), All Others GND			100	μA
I _{CCH}	Power Supply Current		Max.	All Outputs HIGH			50	μA
I _{CCL}	Power Supply Current		Max.	All Outputs LOW			30	mA
I _{CCZ}	Power Supply Current		Max.	\overline{OE} = V _{CC} , T/ \overline{R} = GND or V _{CC} , All Other GND or V _{CC}			50	μA
I _{CCT}	Additional I _{CC} /Input	Outputs Enabled	Max.	V _I = V _{CC} - 2.1V			2.5	mA
		Outputs 3-STATE		\overline{OE} , T/ \overline{R} V _I = V _{CC} - 2.1V			2.5	mA
		Outputs 3-STATE		Data Input V _I = V _{CC} - 2.1V, All Others at V _{CC} or GND.			50	μA
I _{CCD}	Dynamic I _{CC} No Load		Max.	Outputs Open, \overline{OE} = GND, T/ \overline{R} = GND or V _{CC} , One Bit Toggling, 50% Duty Cycle			0.1	mA/ MHz

DC Electrical Characteristics

SOIC package.

Symbol	Parameter	V _{CC}	Conditions C _L = 50 pF, R _L = 500Ω	Min.	Typ.	Max.	Units
V _{OLP}	Quiet Output Maximum Dynamic V _{OL}	5.0	T _A = 25°C ⁽³⁾		0.7	1.0	V
V _{OLV}	Quiet Output Minimum Dynamic V _{OL}	5.0	T _A = 25°C ⁽³⁾	-1.3	-1.0		V
V _{OHV}	Minimum HIGH Level Dynamic Output Voltage	5.0	T _A = 25°C ⁽⁵⁾	2.7	3.1		V
V _{IHD}	Minimum HIGH Level Dynamic Input Voltage	5.0	T _A = 25°C ⁽⁴⁾	2.0	1.7		V
V _{ILD}	Maximum LOW Level Dynamic Input Voltage	5.0	T _A = 25°C ⁽⁴⁾		0.9	0.6	V

Notes:

- Max number of outputs defined as (n). n-1 data inputs are driven 0V to 3V. One output at LOW. Guaranteed, but not tested.
- Max number of data inputs (n) switching. n-1 inputs switching 0V to 3V. Input-under-test switching: 3V to threshold (V_{ILD}), 0V to threshold (V_{IHD}). Guaranteed, but not tested.
- Max number of outputs defined as (n). n – 1 data inputs are driven 0V to 3V. One output HIGH. Guaranteed, but not tested.

AC Electrical Characteristics

SOIC and SSOP package.

Symbol	Parameter	T _A = +25°C, V _{CC} = +5V, C _L = 50pF			T _A = -55°C to +125°C, V _{CC} = 4.5V to 5.5V, C _L = 50pF		T _A = -40°C to +85°C, V _{CC} = 4.5V to 5.5V, C _L = 50pF		Units
		Min.	Typ.	Max.	Min.	Max.	Min.	Max.	
t _{PLH}	Propagation Delay, Data to Outputs	1.0	2.1	3.6	1.0	4.8	1.0	3.6	ns
t _{PHL}		1.0	2.4	3.6	1.0	4.8	1.0	3.6	
t _{PZH}	Output Enable Time	1.5	3.2	6.0	1.0	6.7	1.5	6.0	ns
t _{PZL}		1.5	3.7	6.0	2.0	7.5	1.5	6.0	
t _{PHZ}	Output Disable Time	1.0	3.6	6.1	1.7	7.4	1.0	6.1	ns
t _{PLZ}		1.0	3.3	5.6	1.7	6.5	1.0	5.6	

Extended AC Electrical Characteristics

SOIC package.

Symbol	Parameter	$T_A = -40^\circ\text{C to } +85^\circ\text{C}$, $V_{CC} = 4.5\text{V to } 5.5\text{V}$, $C_L = 50\text{pF}$, 8 Outputs Switching ⁽⁶⁾			$T_A = -40^\circ\text{C to } +85^\circ\text{C}$, $V_{CC} = 4.5\text{V to } 5.5\text{V}$, $C_L = 250\text{pF}$, 1 Output Switching ⁽⁷⁾		$T_A = -40^\circ\text{C to } +85^\circ\text{C}$, $V_{CC} = 4.5\text{V to } 5.5\text{V}$, $C_L = 250\text{pF}$, 8 Outputs Switching ⁽⁸⁾		Units
		Min.	Typ.	Max.	Min.	Max.	Min.	Max.	
f_{TOGGLE}	Max Toggle Frequency		100						MHz
t_{PLH}	Propagation Delay	1.5		5.0	1.5	6.0	2.5	8.5	ns
t_{PHL}	Data to Outputs	1.5		5.0	1.5	6.0	2.5	8.5	
t_{PZH}	Output Enable Time	1.5		6.5	2.5	7.5	2.5	9.5	ns
t_{PZL}		1.5		6.5	2.5	7.5	2.5	11.0	
t_{PHZ}	Output Disable Time	1.0		6.5	(9)		(9)		ns
t_{PLZ}		1.0		5.6					

Notes:

- This specification is guaranteed but not tested. The limits apply to propagation delays for all paths described switching in phase (i.e., all LOW-to-HIGH, HIGH-to-LOW, etc.).
- This specification is guaranteed but not tested. The limits represent propagation delay with 250pF load capacitors in place of the 50pF load capacitors in the standard AC load. This specification pertains to single output switching only.
- This specification is guaranteed but not tested. The limits represent propagation delays for all paths described switching in phase (i.e., all LOW-to-HIGH, HIGH-to-LOW, etc.) with 250pF load capacitors in place of the 50pF load capacitors in the standard AC load.
- The 3-STATE delays are dominated by the RC network (500Ω, 250pF) on the output and have been excluded from the datasheet.

Skew

SOIC package.

Symbol	Parameter	$T_A = -40^\circ\text{C to } +85^\circ\text{C},$ $V_{CC} = 4.5\text{V to } 5.5\text{V},$ $C_L = 50\text{pF}, 8 \text{ Outputs}$ Switching ⁽¹²⁾	$T_A = -40^\circ\text{C to } +85^\circ\text{C},$ $V_{CC} = 4.5\text{V to } 5.5\text{V},$ $C_L = 250\text{pF}, 8 \text{ Outputs}$ Switching ⁽¹³⁾	Units
		Max.	Max.	
$t_{OSHL}^{(10)}$	Pin to Pin Skew, HL Transitions	1.3	2.3	ns
$t_{OSLH}^{(10)}$	Pin to Pin Skew, LH Transitions	1.0	1.8	ns
$t_{PS}^{(14)}$	Duty Cycle, LH–HL Skew	2.0	3.5	ns
$t_{OST}^{(10)}$	Pin to Pin Skew, LH/HL Transitions	2.0	3.5	ns
$t_{PV}^{(11)}$	Device to Device Skew, LH/HL Transitions	2.0	3.5	ns

Notes:

- Skew is defined as the absolute value of the difference between the actual propagation delays for any two separate outputs of the same device. The specification applies to any outputs switching HIGH-to-LOW (t_{OSHL}), LOW-to-HIGH (t_{OSLH}), or any combination switching LOW-to-HIGH and/or HIGH-to-LOW (t_{OST}). The specification is guaranteed but not tested.
- Propagation delay variation for a given set of conditions (i.e., temperature and V_{CC}) from device to device. This specification is guaranteed but not tested.
- This specification is guaranteed but not tested. The limits apply to propagation delays for all paths described switching in phase (i.e., all LOW-to-HIGH, HIGH-to-LOW, etc.)
- These specifications guaranteed but not tested. The limits represent propagation delays with 250pF load capacitors in place of the 50pF load capacitors in the standard AC load.
- This describes the difference between the delay of the LOW-to-HIGH and the HIGH-to-LOW transition on the same pin. It is measured across all the outputs (drivers) on the same chip, the worst (largest delta) number is the guaranteed specification. This specification is guaranteed but not tested.

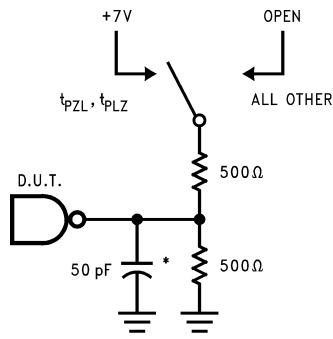
Capacitance

Symbol	Parameter	Conditions $T_A = 25^\circ\text{C}$	Typ.	Units
C_{IN}	Input Capacitance	$V_{CC} = 0\text{V} (\overline{OE}, T/\overline{R})$	5.0	pF
$C_{I/O}^{(15)}$	I/O Capacitance	$V_{CC} = 5.0\text{V} (A_n, B_n)$	11.0	pF

Note:

- $C_{I/O}$ is measured at frequency $f = 1 \text{ MHz}$, per MIL-STD-883, Method 3012.

AC Loading



*Includes jig and probe capacitance

Figure 1. Standard AC Test Load

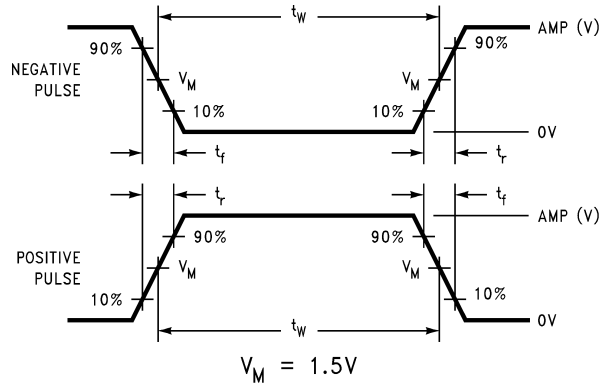


Figure 2. Test Input Signal Levels

Amplitude	Rep. Rate	t_w	t_r	t_f
3.0V	1MHz	500ns	2.5ns	2.5ns

Figure 3. Test Input Signal Requirements

AC Waveforms

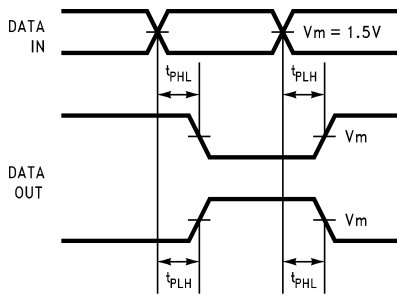


Figure 4. Propagation Delay Waveforms for Inverting and Non-Inverting Functions

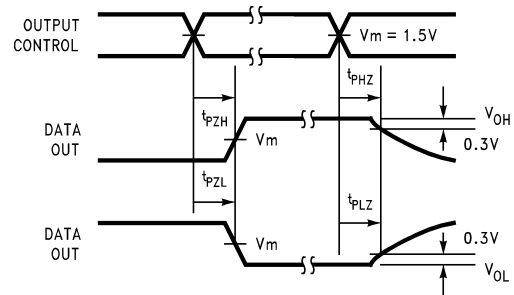


Figure 6. 3-STATE Output HIGH and LOW Enable and Disable Times

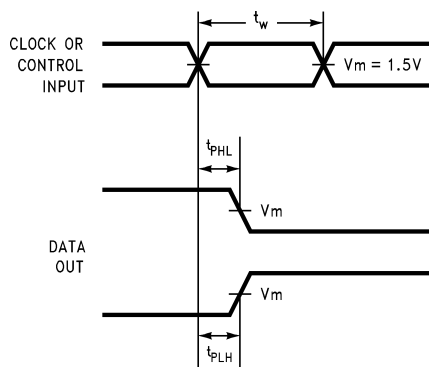


Figure 5. Propagation Delay, Pulse Width Waveforms

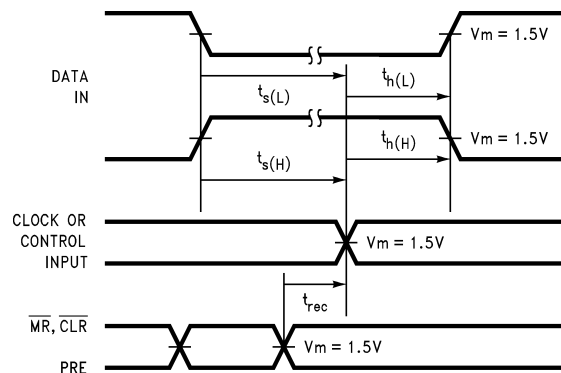


Figure 7. Setup Time, Hold Time and Recovery Time Waveforms

Physical Dimensions

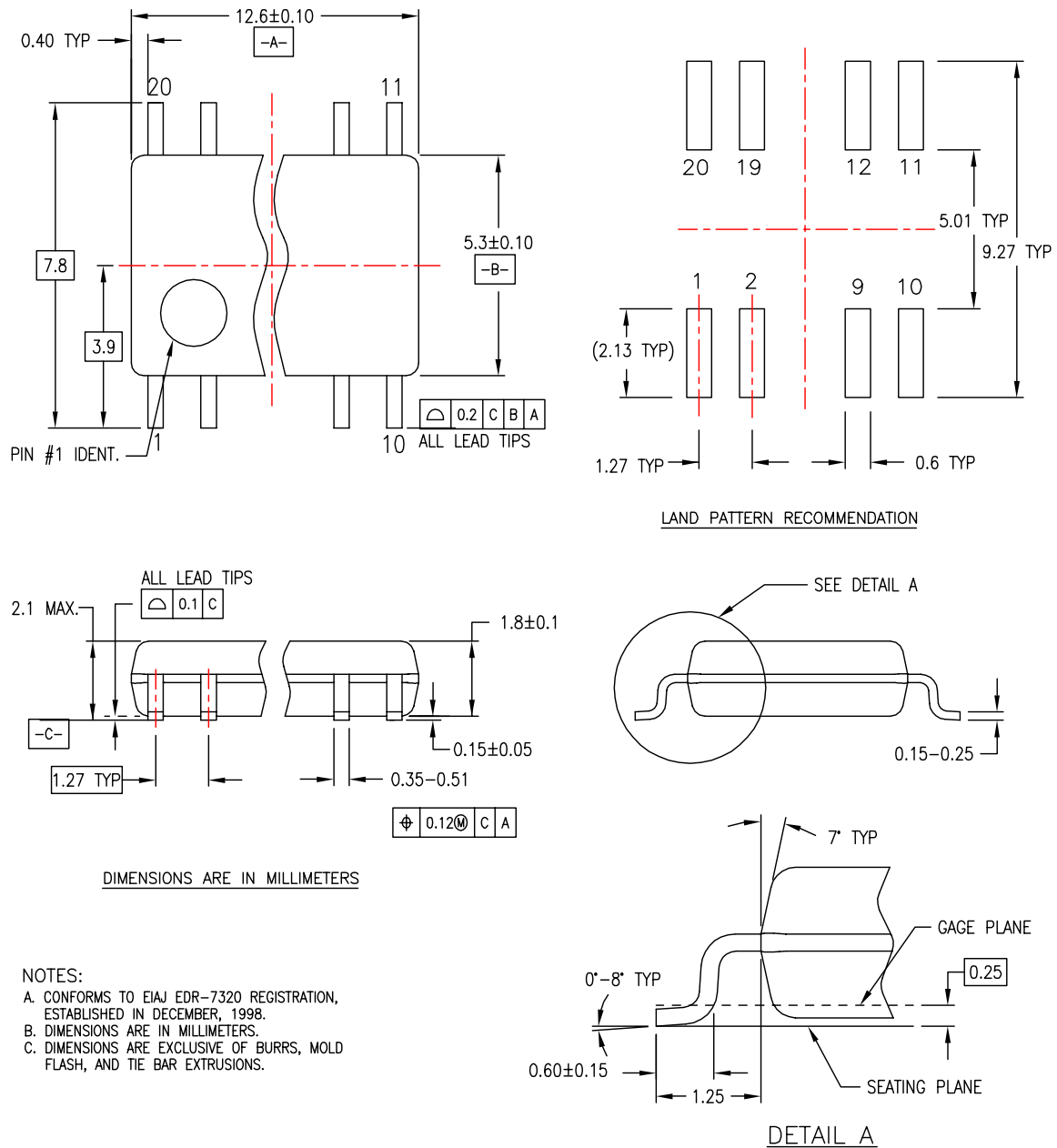
Dimensions are in inches (millimeters) unless otherwise noted.



**Figure 8. 20-Lead Small Outline Integrated Circuit (SOIC), JEDEC MS-013, 0.300" Wide
Package Number M20B**

Physical Dimensions (Continued)

Dimensions are in millimeters unless otherwise noted.

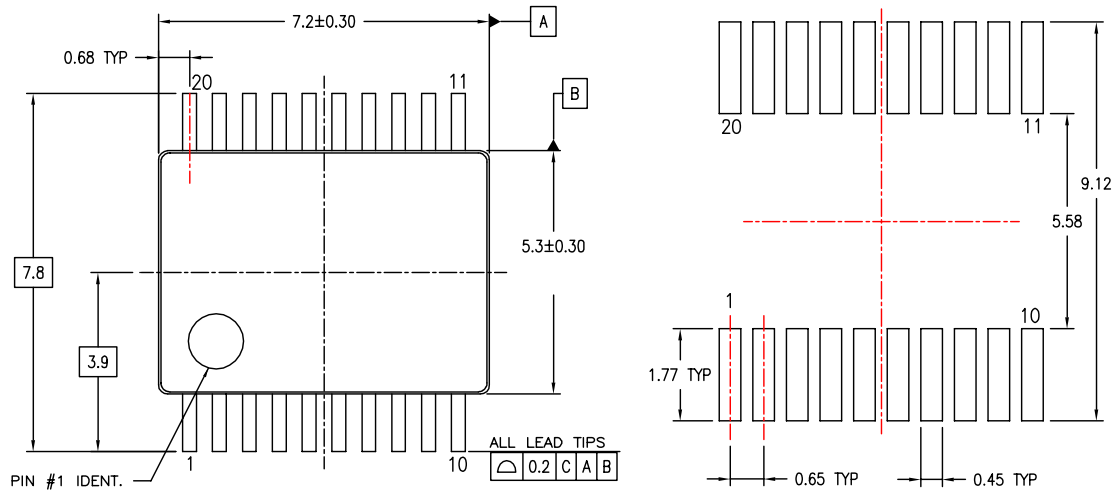


M20DREVC

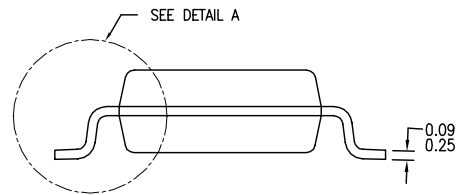
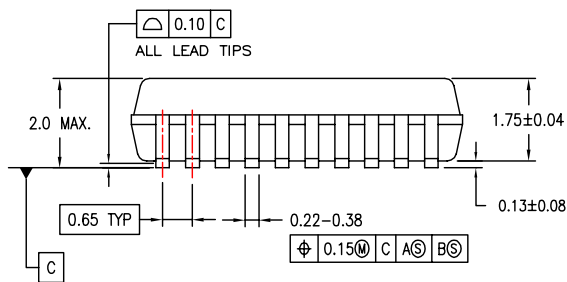
**Figure 9. 20-Lead Small Outline Package (SOP), EIAJ TYPE II, 5.3mm Wide
 Package Number M20D**

Physical Dimensions (Continued)

Dimensions are in millimeters unless otherwise noted.



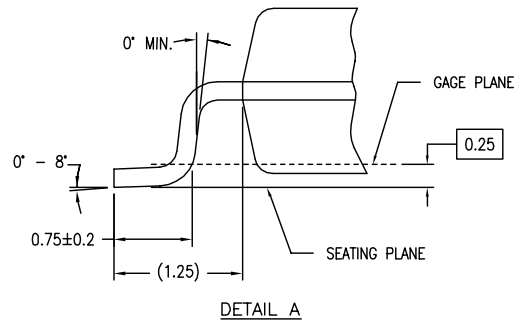
LAND PATTERN RECOMMENDATIONS



DIMENSIONS ARE IN MILLIMETERS

NOTES:

- A. CONFORMS TO JEDEC REGISTRATION MO-150, VARIATION AE, DATE 1/94.
- B. DIMENSIONS ARE IN MILLIMETERS.
- C. DIMENSIONS ARE EXCLUSIVE OF BURRS, MOLD FLASH, AND TIE BAR EXTRUSIONS.
- D. DIMENSIONS AND TOLERANCES PER ASME Y14.5M - 1994.

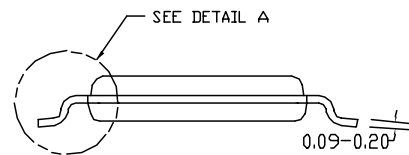
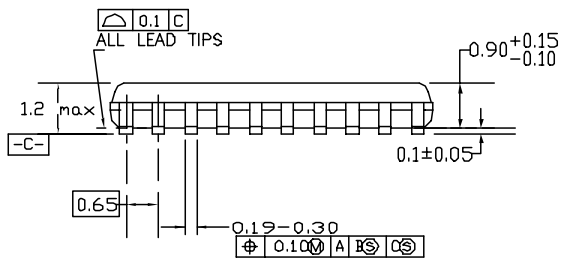
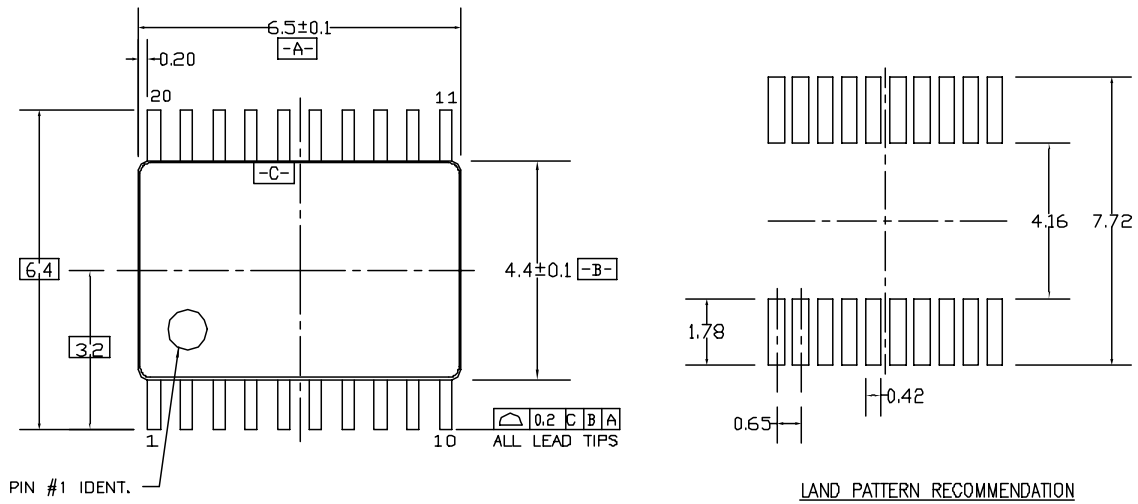


MSA20REVB

Figure 10. 20-Lead Shrink Small Outline Package (SSOP), JEDEC MO-150, 5.3mm Wide Package Number MSA20

Physical Dimensions (Continued)

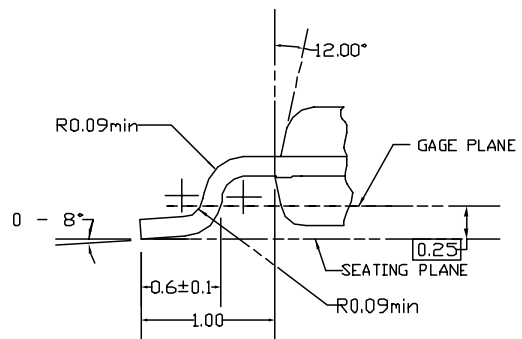
Dimensions are in millimeters unless otherwise noted.



DIMENSIONS ARE IN MILLIMETERS

NOTES:

- A. CONFORMS TO JEDEC REGISTRATION MD-153, VARIATION AC, REF NOTE 6, DATE 7/93.
- B. DIMENSIONS ARE IN MILLIMETERS.
- C. DIMENSIONS ARE EXCLUSIVE OF BURRS, MOLDS FLASH, AND TIE BAR EXTRUSIONS.
- D. DIMENSIONS AND TOLERANCES PER ANSI Y14.5M, 1982.




DETAIL A

MTC20REV D1

Figure 11. 20-Lead Thin Shrink Small Outline Package (TSSOP), JEDEC MO-153, 4.4mm Wide Package Number MTC20

TRADEMARKS

The following are registered and unregistered trademarks Fairchild Semiconductor owns or is authorized to use and is not intended to be an exhaustive list of all such trademarks.

ACEx [®]	HiSeC [™]	Programmable Active Droop [™]	TinyLogic [®]
Across the board. Around the world. [™]	<i>i-Lo</i> [™]	QFET [®]	TINYOPTO [™]
ActiveArray [™]	ImpliedDisconnect [™]	QS [™]	TinyPower [™]
Bottomless [™]	IntelliMAX [™]	QT Optoelectronics [™]	TinyWire [™]
Build it Now [™]	ISOPLANAR [™]	Quiet Series [™]	TruTranslation [™]
CoolFET [™]	MICROCOUPLER [™]	RapidConfigure [™]	μSerDes [™]
CROSSVOLT [™]	MicroPak [™]	RapidConnect [™]	UHC [®]
CTL [™]	MICROWIRE [™]	ScalarPump [™]	UniFET [™]
Current Transfer Logic [™]	MSX [™]	SMART START [™]	VCX [™]
DOME [™]	MSXPro [™]	SPM [®]	Wire [™]
E ² CMOS [™]	OCX [™]	STEALTH [™]	
EcoSPARK [®]	OCXPro [™]	SuperFET [™]	
EnSigna [™]	OPTOLOGIC [®]	SuperSOT [™] -3	
FACT Quiet Series [™]	OPTOPLANAR [®]	SuperSOT [™] -6	
FACT [®]	PACMAN [™]	SuperSOT [™] -8	
FAST [®]	POP [™]	SyncFET [™]	
FASTr [™]	Power220 [®]	TCM [™]	
FPS [™]	Power247 [®]	The Power Franchise [®]	
FRFET [®]	PowerEdge [™]	 ™	
GlobalOptoisolator [™]	PowerSaver [™]	TinyBoost [™]	
GTO [™]	PowerTrench [®]	TinyBuck [™]	

DISCLAIMER

FAIRCHILD SEMICONDUCTOR RESERVES THE RIGHT TO MAKE CHANGES WITHOUT FURTHER NOTICE TO ANY PRODUCTS HEREIN TO IMPROVE RELIABILITY, FUNCTION OR DESIGN. FAIRCHILD DOES NOT ASSUME ANY LIABILITY ARISING OUT OF THE APPLICATION OR USE OF ANY PRODUCT OR CIRCUIT DESCRIBED HEREIN; NEITHER DOES IT CONVEY ANY LICENSE UNDER ITS PATENT RIGHTS, NOR THE RIGHTS OF OTHERS. THESE SPECIFICATIONS DO NOT EXPAND THE TERMS OF FAIRCHILD'S WORLDWIDE TERMS AND CONDITIONS, SPECIFICALLY THE WARRANTY THEREIN, WHICH COVERS THESE PRODUCTS.

LIFE SUPPORT POLICY

FAIRCHILD'S PRODUCTS ARE NOT AUTHORIZED FOR USE AS CRITICAL COMPONENTS IN LIFE SUPPORT DEVICES OR SYSTEMS WITHOUT THE EXPRESS WRITTEN APPROVAL OF FAIRCHILD SEMICONDUCTOR CORPORATION.

As used herein:

1. Life support devices or systems are devices or systems which, (a) are intended for surgical implant into the body or (b) support or sustain life, and (c) whose failure to perform when properly used in accordance with instructions for use provided in the labeling, can be reasonably expected to result in a significant injury of the user.
2. A critical component in any component of a life support, device, or system whose failure to perform can be reasonably expected to cause the failure of the life support device or system, or to affect its safety or effectiveness.

PRODUCT STATUS DEFINITIONS

Definition of Terms

Datasheet Identification	Product Status	Definition
Advance Information	Formative or In Design	This datasheet contains the design specifications for product development. Specifications may change in any manner without notice.
Preliminary	First Production	This datasheet contains preliminary data; supplementary data will be published at a later date. Fairchild Semiconductor reserves the right to make changes at any time without notice to improve design.
No Identification Needed	Full Production	This datasheet contains final specifications. Fairchild Semiconductor reserves the right to make changes at any time without notice to improve design.
Obsolete	Not In Production	This datasheet contains specifications on a product that has been discontinued by Fairchild Semiconductor. The datasheet is printed for reference information only.

Rev. I24