

Features

TW8804

LCD Flat Panel Controller with Integrated
NTSC/PAL/SECAM Decoder and Analog/Digital RGB/FB Input

Target Applications

- LCD TV
- LCD Monitor with TV
- Car TV
- Portable DVD Players

Features

- Low angle compensation circuit for smooth video rendering
- Black/White/Blue stretch for higher contrast
- Sharpness control for sharper video
- Panorama/water glass feature for more natural scaling
- Integrated OSD with 200+ user defined fonts
- Integrated programmable timing controller (TCON)

The TW8804 LCD Flat Panel Controller is a low cost high quality TFT panel controller with an embedded NTSC/PAL/SECAM TV decoder. This unique level of mixed signal integration enables the panel to be used as a stand-alone analog TV. An integrated YPbPr/RGB component input allows direct connection to DVD, PIP and TTX sources. Separate digital inputs allow it to be used as a high quality computer monitor when combined with additional ICs. It incorporates easy-to-operate and powerful features in a single package for LCD TV, multi-purpose LCD Monitor, Portable DVD Players and Car Display Entertainment Systems.

The TW8804 contains all the logic required to convert standard TV, DTV, and PC monitor signals to the digital control and data signals required to drive various TFT panel types. It supports TFT panel resolutions up to 1280 by 1024 (SXGA/WXGA) with either 1 or 2-pixel/clock formats.

The chip accepts CVBS (composite) analog input or S-video analog input or YPbPr input for use as a video monitor. Up to four physical CVBS inputs or one S-video input or one component input can be connected synchronously with component (RGB or YPbPr) input via fast blanking and switched internally under external microprocessor control.

The integrated analog front-end contains six ADCs with five clamping circuits and one Automatic Gain Control (AGC) circuit to minimize external component count. It employs a 2/4H, 5-line adaptive comb filter and proprietary Y/C processing technologies to produce exceptionally high quality pictures.

The chip's internal logic synchronizes the panel frame rate to the incoming input frame rate. A high quality image-scaling engine is used to convert the lower resolution formats or high resolution DTV formats to the output panel resolution. An internal de-interlacing engine also allows interlaced video to be supported.

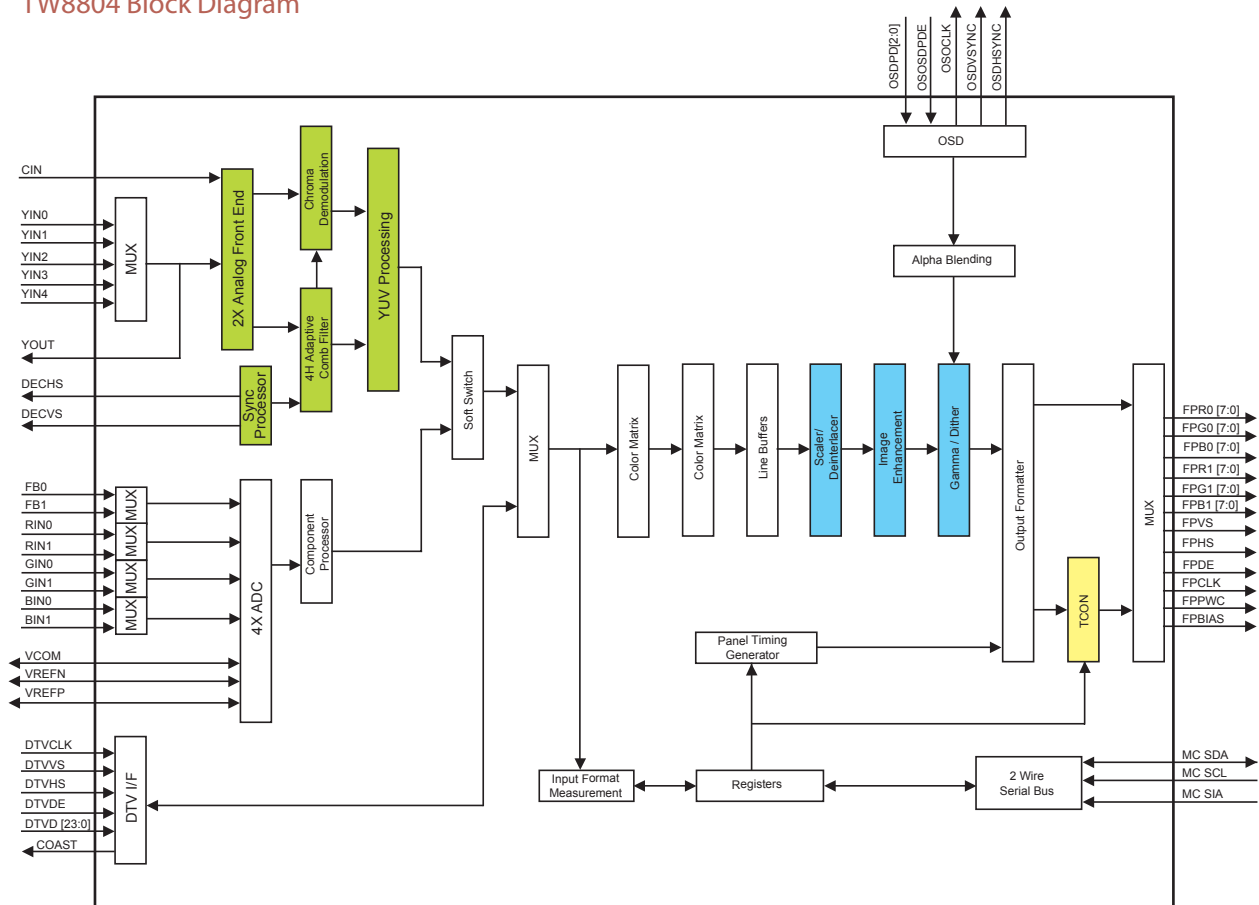
On Screen Display is supported through either external OSD chip or on-chip OSD RAM for maximum flexibility. A Closed Caption decoder is built in. The TW8804 also accepts a 24 bit digital RGB input from external PanelLink[™] receiver or ADCs for use as computer monitor. In addition, it accepts 8/16/24 bits digital YCbCr input for use with external ADCs for use as a DTV monitor.

The TW8804 also supports TFT panel power sequencing, DPMS (Display Power Management Signaling) signaling and power management. The control interface is a 2-wire serial bus interface. The TW8804 core operates at 2.5 V, the IO at 3.3 V and is packaged in a 160-pin PQFP package.

TW8804

LCD Flat Panel Controller with Integrated
NTSC/PAL/SECAM Decoder and Analog/Digital RGB/FB Input

TW8804 Block Diagram



TW8804

LCD Flat Panel Controller with Integrated NTSC/PAL/SECAM Decoder and Analog/Digital RGB/FB Input



TFT Panel Support

- Supports a wide variety of active matrix TFT panels either one or two pixels per clock
- Supports panel with resolution up to SXGA (1280 x 1024)
- Supports 3, 4, 6 or 8 bits per pixel up to 16.8 million colors

Timing Controller (TCON)

- Support programmable interface signals for control column (source) driver / row (gate) driver

Analog Video Decoder

- NTSC (M, 4.34) and PAL (B, D, G, H, I, M, N, N combination), PAL (60), SECAM with automatic format detection
- Advanced synchronization processing for VCR fast forward, backward, and pause mode
- Six 9-bit ADCs and analog clamping circuit
- Fully programmable static gain or automatic gain control for the Y or CVBS channel
- Programmable white peak control for the Y or CVBS channel
- Software selectable analog inputs allows any of the following combinations:
 - Up to 5 composite video
 - 1 S-Video
 - Up to 1 RGB or YPbPr component

24bit Digital RGB and 8/16/24-bit YCbCr Inputs

- Allows connection to analog PC Graphics cards with the addition of a 3 channel A/D converter for up to SXGA resolution
- Allows YCbCr digital component input for DTV 480p, 720p, 1080i
- For connection to digital PC graphics cards (with the addition of a Panellink™ DVI interface receiver)
- Allows interlaced and progressive 656 input from DVD chips



TW8804

LCD Flat Panel Controller with Integrated
NTSC/PAL/SECAM Decoder and Analog/Digital RGB/FB Input

Image Control

- Programmable hue, brightness, saturation, contrast
- Automatic color control and color killer
- Sharpness control with vertical peaking up to +12db
- Programmable color transient improvement control
- Supports programmable cropping of input video and graphics
- High quality expansion for low-resolution graphics
- Built-in de-interlacing engine with proprietary low angle compensation circuit for smooth video rendering
- Independent RGB gain and offset controls
- Panorama / Water-glass scaling
- DTV hue adjustment
- Programmable Gamma correction for each color
- Operated in Frame Sync mode only with no external memory required.
- Built-in YCbCr to RGB color space converter
- Black/White/Blue Stretch

Video Processing

- 4-H adaptive comb filter Y/C separation
- PAL delay line for color phase error correction
- Image enhancement with 2D dynamic peaking and CTI
- Digital sub-carrier PLL for accurate color decoding
- Digital Horizontal PLL and advanced synchronization processing for non-standard video signals
- Programmable hue, brightness, saturation, contrast, sharpness, gamma control, and noise suppression
- Automatic color control and color killer
- High quality horizontal and vertical filtered scaling with arbitrary scale down ratio
- Detection of level of copy protection according to Macrovision standard
- Soft Mixing process between component inputs and a CVBS input

On Screen Display

- Built-in OSD controller with integrated character ROM and programmable RAM font
- Supports dedicated port for an optional external OSD controller

Miscellaneous

- Supports 2-wire serial bus interface
- 5V tolerant I/O
- Power-down mode
- Typical power consumption 1W
- Single 27MHz crystal
- 160-pin PQFP package

Power Management

- Supports panel power sequencing
- Supports DPMS for monitor power management
- 2.5 / 3.3 V operation

About Techwell

Techwell designs and sells mixed signal semiconductor solutions for digital video applications. The company's products enable the conversion of analog video sources to digital form and facilitate the display, storage and transport of digital video, HDTV, and personal computer display information. Headquartered in San Jose, CA, Techwell currently has over 60 employees in the U.S., Korea, and Taiwan.

For more information on Techwell, please contact us at 1-408-435-3888

© 2005 Techwell Inc. All rights reserved.
All other trademarks are property of their respective owners