

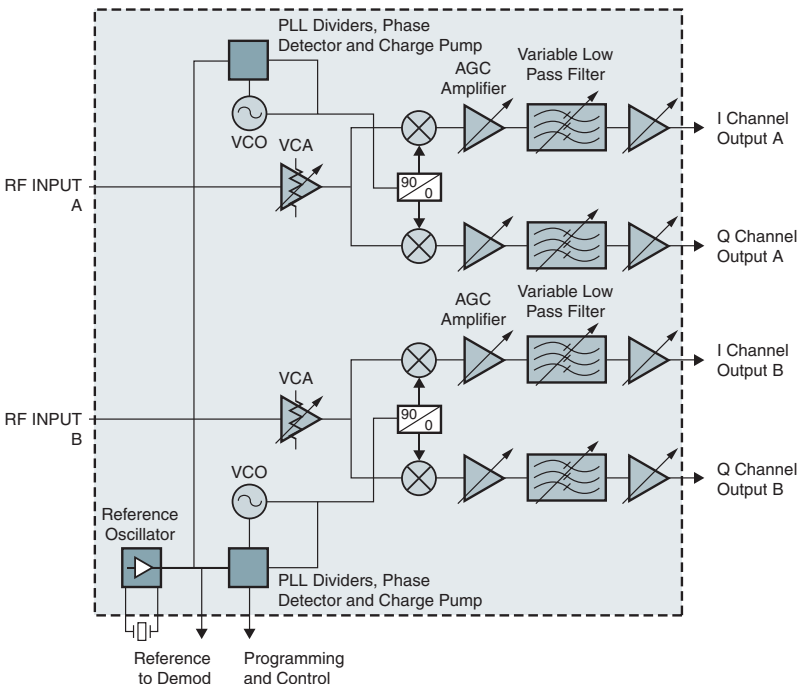
Digital Satellite Dual Tuner RF IC

CX24128

Industry's First Dual Tuner for DVR Applications

Conexant's portfolio includes a comprehensive suite of semiconductor solutions for broadband communications, enterprise networks and the digital home. The CX24128 is Conexant's innovative dual stream direct down-conversion satellite tuner RF IC intended for high-volume digital video, audio, and data receivers. The CX24128 offers excellent phase noise performance and very low implementation loss, required for advanced modulation systems such as 8PSK and DVB-S2. The CX24128 provides bill of materials (BOM) savings over two single tuners and simplifies layout for DVR set-top boxes (STBs).

The CX24128 has a built-in auto-tuning machine that eliminates the need for software calibration routine and accelerates the calibration time. The on-chip fractional synthesizers enable fine frequency step size without adversely affecting lock time. The CX24128 requires a single 3.3 V power supply and has an improved power supply rejection ratio (PSRR) that reduces the need for power supply conditioning components required for proper operation. The CX24128 does not require a Balun, thus reducing external BOM cost. Its highly integrated design saves valuable board space and simplifies RF layout.



CX24128 Block Diagram



Distinguishing Features

- Dual stream RF-to-baseband satellite receiver
- State-of-the-art architecture that provides for up to 60 decibel (dB) isolation between two channels
- Zero-IF architecture eliminates the need for image reject filtering
- Very low phase noise for 8PSK and DVB-S2 applications
- Variable baseband filters for optimal interference rejection
- Auto-tuning machine eliminates need for software calibration
- Very low power consumption
- Small (7 mm x 7 mm) footprint
- Lead-free package

Part Number CX24128

Description Digital Satellite Dual Tuner RF IC



Conexant Product Portfolio

The company's broad portfolio of semiconductor products also includes client-side DSL and cable modem solutions, home network processors, broadcast video encoders and decoders, digital set-top box components and systems solutions, and dial-up modems. In addition to its IEEE 802.11a/b/g-compliant WLAN chipsets, software, and reference designs, Conexant

offers a suite of networking components that includes solutions for applications based on HomePlugSM and HomePNATM.

Additional products include a complete line of asymmetric and symmetric DSL central office solutions, which are used by service providers worldwide to deliver broadband data, voice, and video over copper telephone lines.

CX24128 Features

- State-of-the-art architecture that provides for up to 60 decibel (dB) isolation between two channels
- RF input: 925–2175 MHz
- Symbol rate: 1–45 MSps
- Noise figure: 10 dB, typical
- Input IP3 at minimum gain: 10 dBm, typical
- Baseband filter bandwidth: 3–40 MHz
- Output voltage: 0.5 Vp-p @ RL > 1 kΩ:
- Operating temperature: 0–85° C
- Package type: 48-pin, Pb- free, QFN

Applications

- Advanced modulation set-top boxes
- DSS/DVB set-top boxes
- Digital VCR (DVR)
- Commercial digital video, audio and data receivers

© 2005, Conexant Systems, Inc. All Rights Reserved. Conexant and the Conexant logo are registered trademarks of Conexant Systems, Inc. All other trademarks are owned by their respective owners. Although Conexant strives for accuracy in all its publications, this material may contain errors or omissions and is subject to change without notice. **THIS MATERIAL IS PROVIDED AS IS AND WITHOUT ANY EXPRESS OR IMPLIED WARRANTIES, INCLUDING MERCHANTABILITY, FITNESS FOR A PARTICULAR PURPOSE AND NON-INFRINGEMENT.** Conexant shall not be liable for any special, indirect, incidental or consequential damages as a result of its use.

www.conexant.com
General Information:
U.S. and Canada: (888) 855-4562
International: (732) 345-7500
Headquarters
4000 MacArthur Blvd.
Newport Beach, CA 92660
Order# 102375C

