

DATA SHEET

NE529

Voltage comparator

Product data
Supersedes data of 1994 Aug 31
File under Integrated Circuits, IC11 Handbook

2001 Aug 03

Voltage comparator

NE529

DESCRIPTION

The NE529 is a high-speed analog voltage comparator which, for the first time, mates state-of-the-art Schottky diode technology with the conventional linear process. This allows simultaneous fabrication of high-speed TTL gates with a precision linear amplifier on a single monolithic chip.

FEATURES

- 10 ns propagation delay
- Complementary output gates
- TTL or ECL compatible outputs
- Wide common-mode and differential voltage range
- Typical gain 5000

APPLICATIONS

- A/D conversion
- ECL-to-TTL interface
- TTL-to-ECL interface
- Memory sensing
- Optical data coupling

PIN CONFIGURATIONS

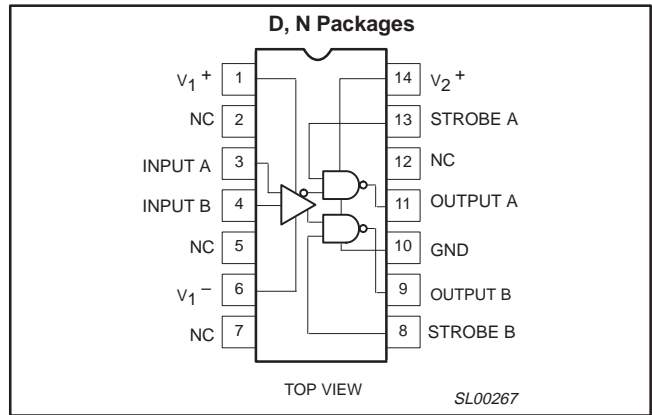


Figure 1. Pin Configuration

BLOCK DIAGRAM

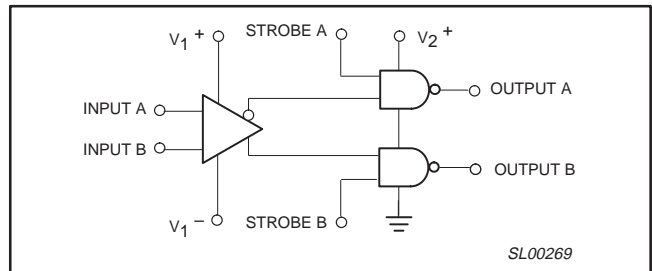


Figure 2. Block Diagram

ORDERING INFORMATION

DESCRIPTION	TEMPERATURE RANGE	ORDER CODE	DWG #
14-Pin Plastic Dual In-Line Package (DIP)	0 °C to +70 °C	NE529N	SOT27-1
14-Pin Small Outline (SO) Package	0 °C to +70 °C	NE529D	SOT108-1

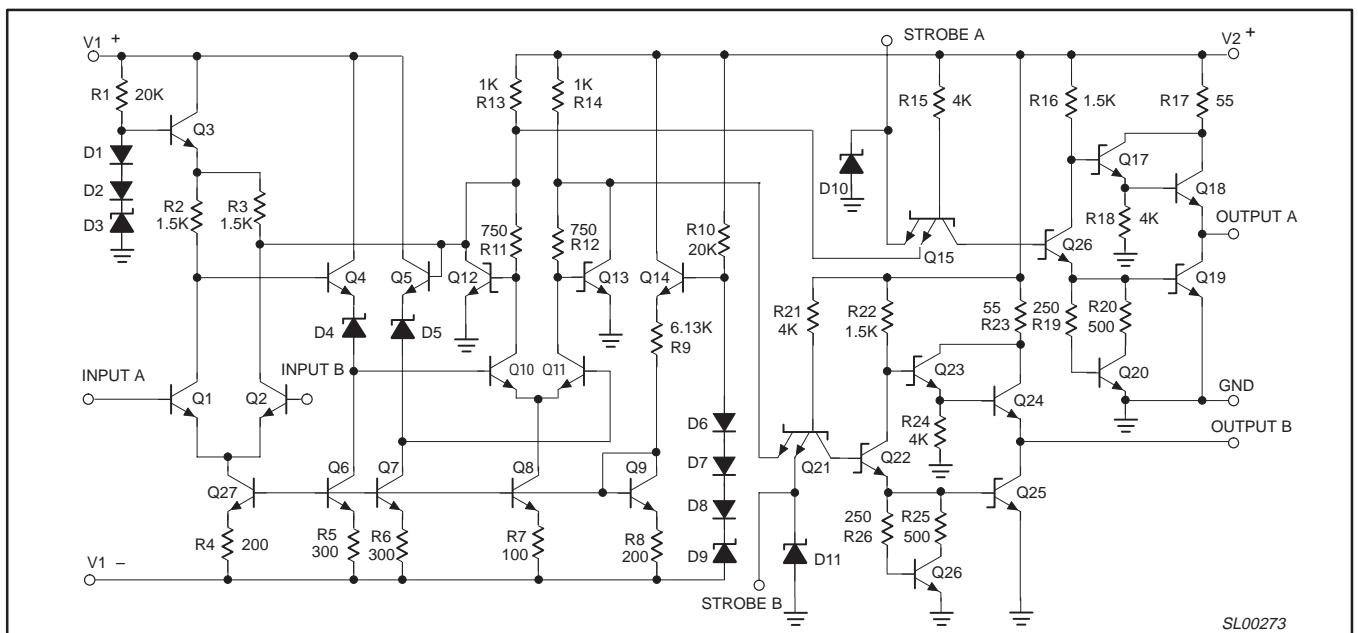


Figure 3.

Voltage comparator

NE529

ABSOLUTE MAXIMUM RATINGS

SYMBOL	PARAMETER	RATING	UNIT
V ₁₊	Positive supply voltage	+15	V
V ₁₋	Negative supply voltage	-15	V
V ₂₊	Gate supply voltage	+7	V
V _{OUT}	Output voltage	+7	V
V _{IN}	Differential input voltage	±5	V
V _{CM}	Input common mode voltage	±6	V
P _D	Maximum power dissipation ¹ T _{amb} = 25 °C (still-air) N package D package	1420 1040	mW mW
T _{amb}	Operating temperature range	0 to +70	°C
T _{stg}	Storage temperature range	-65 to +150	°C
T _{sld}	Lead soldering temperature (10 sec max)	+230	°C

NOTES:

- Derate above 25 °C at the following rates:
N package at 11.5 mW/°C
D package at 8.3 mW/°C

Voltage comparator

NE529

DC ELECTRICAL CHARACTERISTICS $V_{1+} = +10\text{ V}$; $V_{2+} = +5.0\text{ V}$; $V_{1-} = -10\text{ V}$; unless otherwise specified.

SYMBOL	PARAMETER	TEST CONDITIONS	LIMITS			UNIT
			Min	Typ	Max	
Input characteristics						
V_{OS}	Input offset voltage @ 25 °C				6	mV
	Over temperature range				10	mV
I_{BIAS}	Input bias current @ 25 °C			5	20	μA
	Over temperature range	$V_{IN} = 0\text{ V}$			50	μA
I_{OS}	Input offset current @ 25 °C			2	5	μA
	Over temperature range	$V_{IN} = 0\text{ V}$			15	μA
V_{CM}	Common-mode voltage range		-5	0		V
Gate characteristics						
V_{OUT}	Output voltage					
	"1" state	$V_{2+} = 4.75\text{ V}$; $I_{SOURCE} = -1\text{ mA}$	2.7	3.3		V
	"0" state	$V_{2+} = 4.75\text{ V}$; $I_{SINK} = 10\text{ mA}$			0.5	V
	Strobe inputs					
	"0" Input current ¹	$V_{2+} = 5.25\text{ V}$; $V_{STROBE} = 0.5\text{ V}$			-2	mA
	"1" Input current @ 25 °C ¹	$V_{2+} = 5.25\text{ V}$; $V_{STROBE} = 2.7\text{ V}$			100	μA
	Over temperature range	$V_{2+} = 5.25\text{ V}$; $V_{STROBE} = 2.7\text{ V}$			200	μA
	"0" input voltage	$V_{2+} = 4.75\text{ V}$			0.8	V
	"1" input voltage	$V_{2+} = 4.75\text{ V}$	2.0			V
I_{SC}	Short-circuit output current	$V_{2+} = 5.25\text{ V}$; $V_{OUT} = 0\text{ V}$	-18		-70	mA
Power supply requirements						
V_{1+} V_{1-} V_{2+}	Supply voltage		5		10	V
			-6		-10	V
			4.75	5	5.25	V
I_{1+} I_{1-} I_{2+}	Supply current	$V_{1+} = 10\text{ V}$; $V_{1-} = -10\text{ V}$				
		$V_{2+} = 5.25\text{ V}$				
		Over temp.			5	mA
		Over temp.			10	mA
		Over temp.			20	mA

NOTE:

1. See logic function table.

AC ELECTRICAL CHARACTERISTICS $T_{amb} = 25\text{ °C}$ (See AC test circuit).

SYMBOL	PARAMETER	TEST CONDITIONS	LIMITS			UNIT
			Min	Typ	Max	
t_R	Transient response	$V_{IN} = \pm 100\text{ mV step}$				
t_{PLH} t_{PHL}	Propagation delay time					
	Low-to-high			12	22	ns
	High-to-low			10	20	ns
	Delay between output A and B			2	5	ns
t_{ON} t_{OFF}	Strobe delay time					
	turn-on time			6		ns
	turn-off time			6		ns

Voltage comparator

NE529

TYPICAL PERFORMANCE CHARACTERISTICS

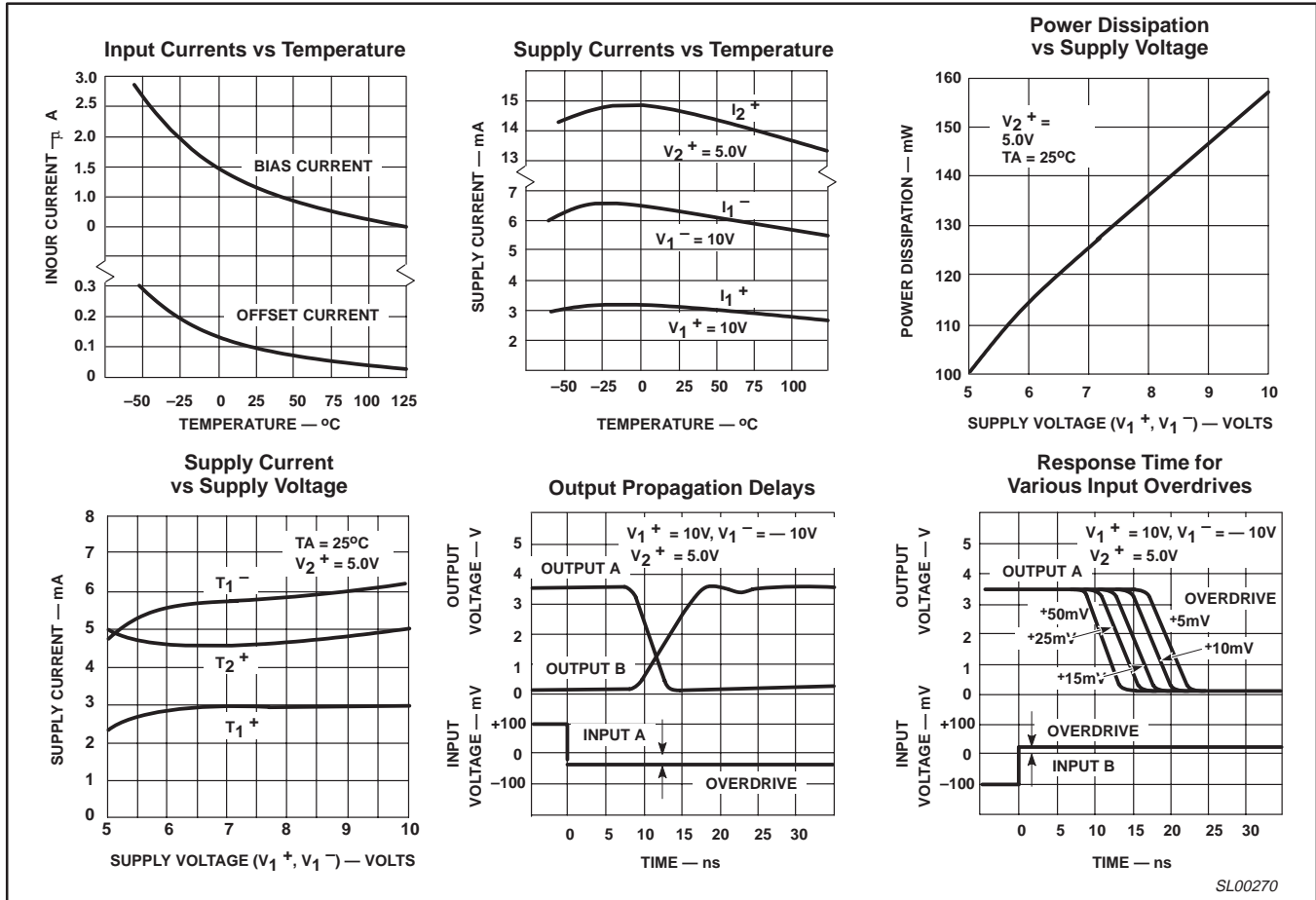


Figure 4. Typical Performance Characteristics

RESPONSE TIME TEST CIRCUIT

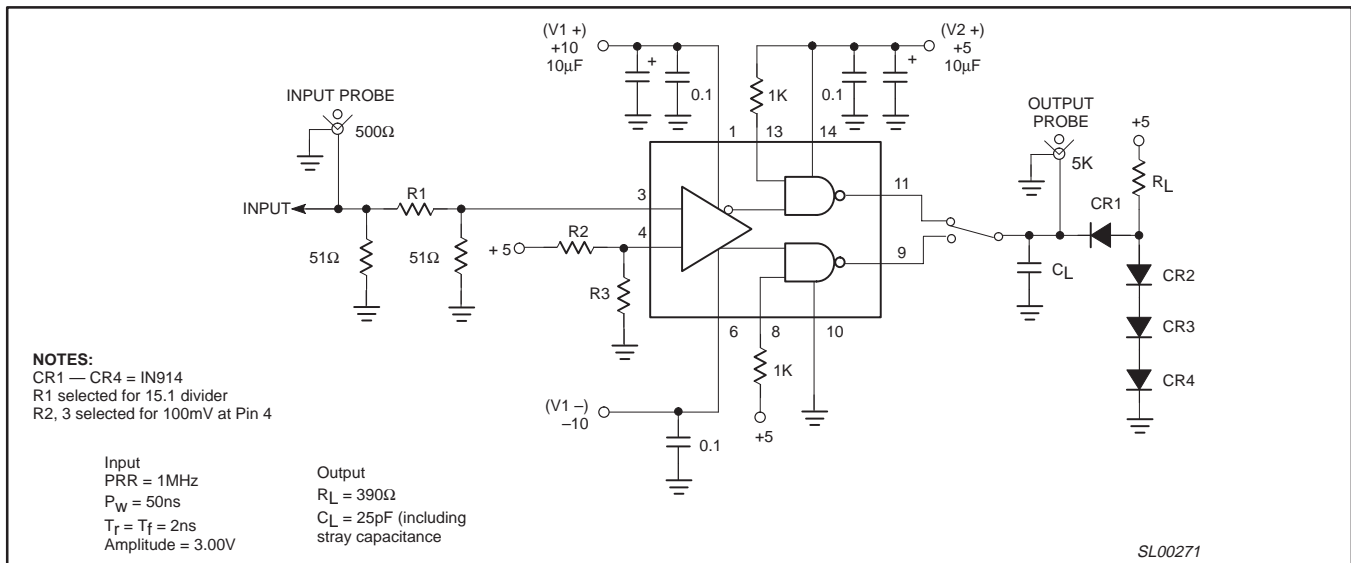


Figure 5. Response Time Test Circuit

Voltage comparator

NE529

APPLICATIONS

One of the main features of the device is that supply voltages (V_+ , V_-) need not be balanced, as in the following diagrams. For proper operation, however, negative supply (V_-) should always be at least 6 V more than the ground terminal (pin 6). Input Common-Mode

range should be limited to values of 2 V less than the supply voltages (V_+ and V_-) up to a maximum of ± 5 V as supply voltages are increased.

It is also important to note that Output A is in phase with Input A and Output B is in phase with Input B.

LOGIC FUNCTION

V_{ID} (A^+ , B^-)	STROBE A	STROBE B	OUTPUT A	OUTPUT B
$V_{ID} \leq -V_{OS}$	H	X	L	H
$-V_{OS} < V_{ID} < V_{OS}$	H	H	Undefined	Undefined
$V_{ID} \geq V_{OS}$	X	H	H	L
X	L	L	H	H

TYPICAL APPLICATIONS

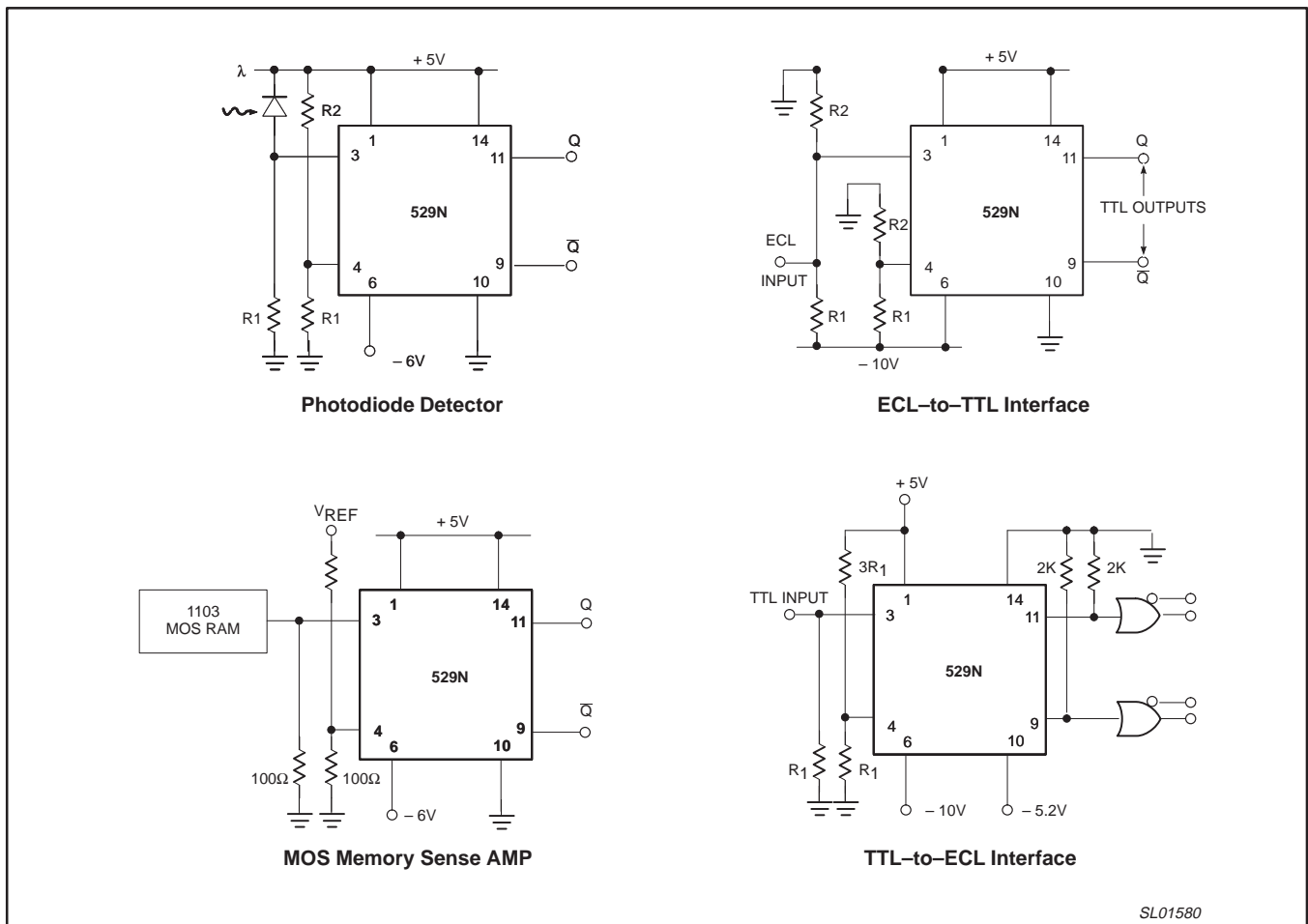


Figure 6. Typical Applications

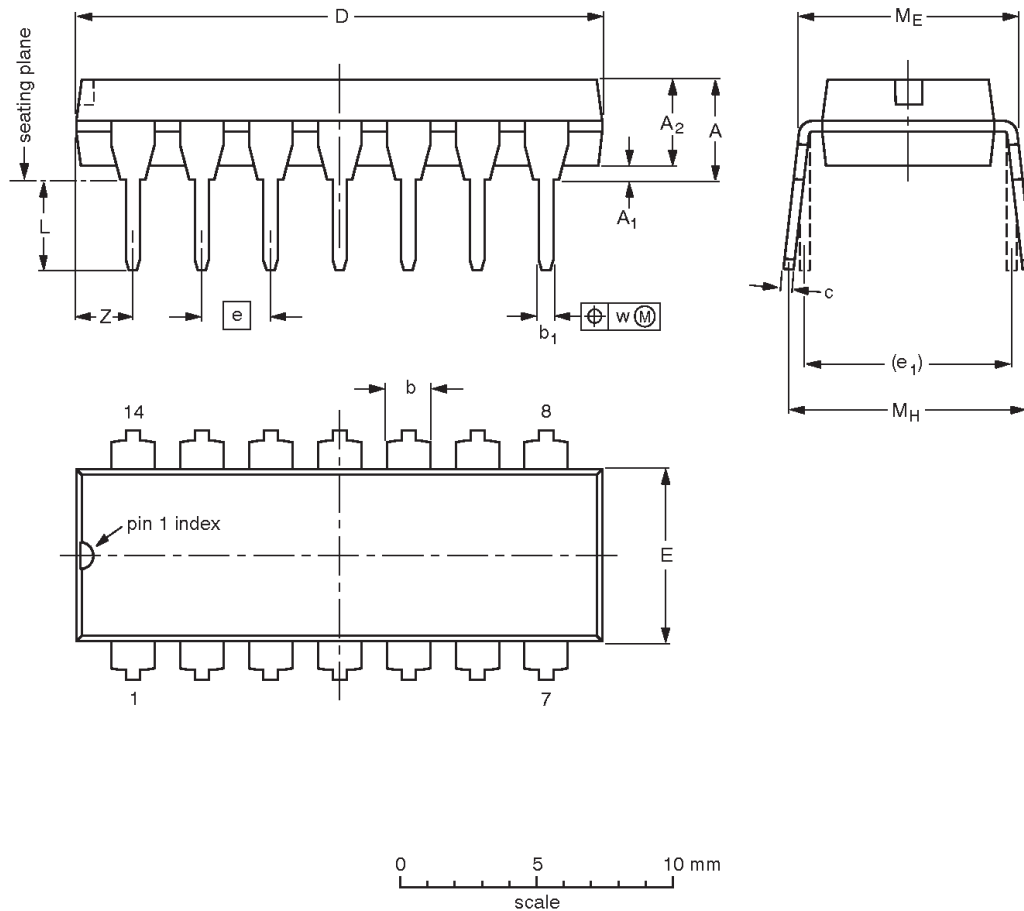
SL01580

Voltage comparator

NE529

DIP14: plastic dual in-line package; 14 leads (300 mil)

SOT27-1



DIMENSIONS (inch dimensions are derived from the original mm dimensions)

UNIT	A max.	A ₁ min.	A ₂ max.	b	b ₁	c	D ⁽¹⁾	E ⁽¹⁾	e	e ₁	L	M _E	M _H	w	Z ⁽¹⁾ max.
mm	4.2	0.51	3.2	1.73 1.13	0.53 0.38	0.36 0.23	19.50 18.55	6.48 6.20	2.54	7.62	3.60 3.05	8.25 7.80	10.0 8.3	0.254	2.2
inches	0.17	0.020	0.13	0.068 0.044	0.021 0.015	0.014 0.009	0.77 0.73	0.26 0.24	0.10	0.30	0.14 0.12	0.32 0.31	0.39 0.33	0.01	0.087

Note

1. Plastic or metal protrusions of 0.25 mm maximum per side are not included.

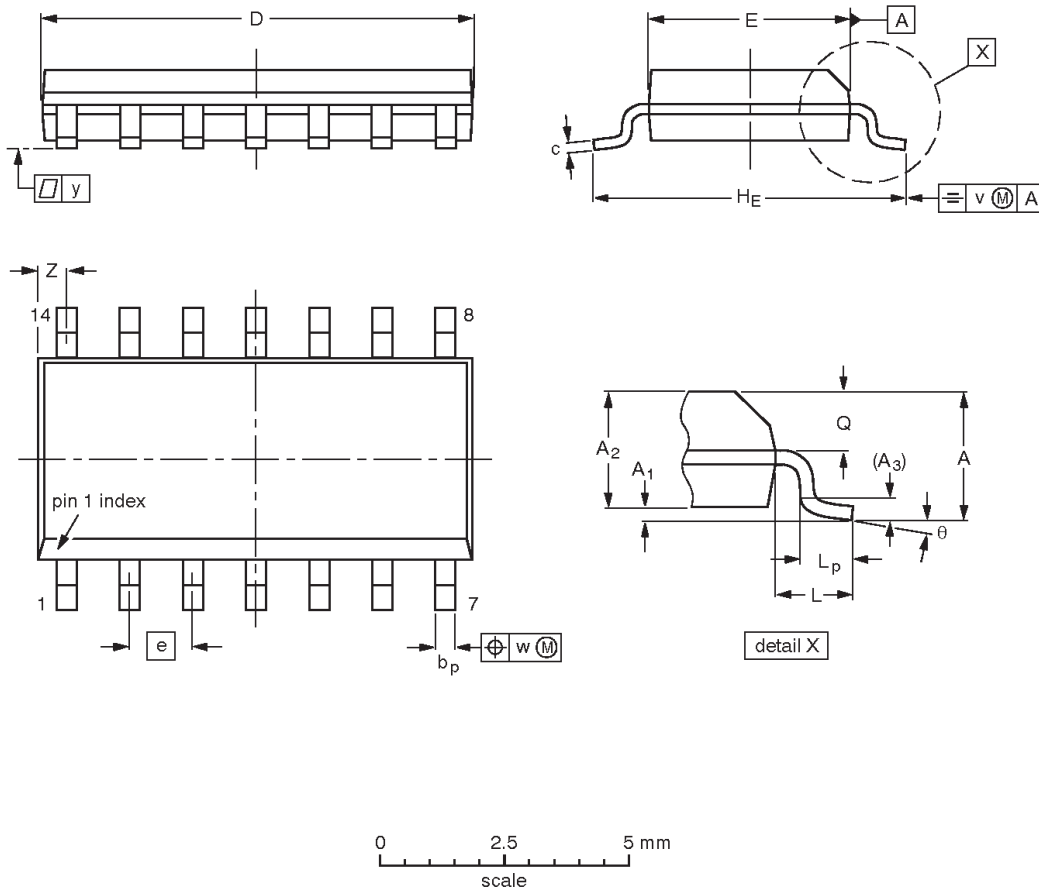
OUTLINE VERSION	REFERENCES				EUROPEAN PROJECTION	ISSUE DATE
	IEC	JEDEC	EIAJ			
SOT27-1	050G04	MO-001	SC-501-14			95-03-11 99-12-27

Voltage comparator

NE529

SO14: plastic small outline package; 14 leads; body width 3.9 mm

SOT108-1



DIMENSIONS (inch dimensions are derived from the original mm dimensions)

UNIT	A max.	A ₁	A ₂	A ₃	b _p	c	D ⁽¹⁾	E ⁽¹⁾	e	H _E	L	L _p	Q	v	w	y	Z ⁽¹⁾	θ
mm	1.75	0.25 0.10	1.45 1.25	0.25	0.49 0.36	0.25 0.19	8.75 8.55	4.0 3.8	1.27	6.2 5.8	1.05	1.0 0.4	0.7 0.6	0.25	0.25	0.1	0.7 0.3	8° 0°
inches	0.069	0.010 0.004	0.057 0.049	0.01	0.019 0.014	0.0100 0.0075	0.35 0.34	0.16 0.15	0.050	0.244 0.228	0.041	0.039 0.016	0.028 0.024	0.01	0.01	0.004	0.028 0.012	

Note

1. Plastic or metal protrusions of 0.15 mm maximum per side are not included.

OUTLINE VERSION	REFERENCES				EUROPEAN PROJECTION	ISSUE DATE
	IEC	JEDEC	EIAJ			
SOT108-1	076E06	MS-012				97-05-22 99-12-27

Voltage comparator

NE529

NOTES

Voltage comparator

NE529

Data sheet status

Data sheet status ^[1]	Product status ^[2]	Definitions
Objective data	Development	This data sheet contains data from the objective specification for product development. Philips Semiconductors reserves the right to change the specification in any manner without notice.
Preliminary data	Qualification	This data sheet contains data from the preliminary specification. Supplementary data will be published at a later date. Philips Semiconductors reserves the right to change the specification without notice, in order to improve the design and supply the best possible product.
Product data	Production	This data sheet contains data from the product specification. Philips Semiconductors reserves the right to make changes at any time in order to improve the design, manufacturing and supply. Changes will be communicated according to the Customer Product/Process Change Notification (CPCN) procedure SNW-SQ-650A.

[1] Please consult the most recently issued data sheet before initiating or completing a design.

[2] The product status of the device(s) described in this data sheet may have changed since this data sheet was published. The latest information is available on the Internet at URL <http://www.semiconductors.philips.com>.

Definitions

Short-form specification — The data in a short-form specification is extracted from a full data sheet with the same type number and title. For detailed information see the relevant data sheet or data handbook.

Limiting values definition — Limiting values given are in accordance with the Absolute Maximum Rating System (IEC 60134). Stress above one or more of the limiting values may cause permanent damage to the device. These are stress ratings only and operation of the device at these or at any other conditions above those given in the Characteristics sections of the specification is not implied. Exposure to limiting values for extended periods may affect device reliability.

Application information — Applications that are described herein for any of these products are for illustrative purposes only. Philips Semiconductors make no representation or warranty that such applications will be suitable for the specified use without further testing or modification.

Disclaimers

Life support — These products are not designed for use in life support appliances, devices or systems where malfunction of these products can reasonably be expected to result in personal injury. Philips Semiconductors customers using or selling these products for use in such applications do so at their own risk and agree to fully indemnify Philips Semiconductors for any damages resulting from such application.

Right to make changes — Philips Semiconductors reserves the right to make changes, without notice, in the products, including circuits, standard cells, and/or software, described or contained herein in order to improve design and/or performance. Philips Semiconductors assumes no responsibility or liability for the use of any of these products, conveys no license or title under any patent, copyright, or mask work right to these products, and makes no representations or warranties that these products are free from patent, copyright, or mask work right infringement, unless otherwise specified.

Contact information

For additional information please visit
<http://www.semiconductors.philips.com>. Fax: +31 40 27 24825

© Koninklijke Philips Electronics N.V. 2001
 All rights reserved. Printed in U.S.A.

Date of release: 12-01

For sales offices addresses send e-mail to:
sales.addresses@www.semiconductors.philips.com

Document order number:

9397 750 09204

Let's make things better.