

LMC6492 Dual/LMC6494 Quad CMOS Rail-to-Rail Input and Output Operational Amplifier

General Description

The LMC6492/LMC6494 amplifiers were specifically developed for single supply applications that operate from -40°C to $+125^{\circ}\text{C}$. This feature is well-suited for automotive systems because of the wide temperature range. A unique design topology enables the LMC6492/LMC6494 common-mode voltage range to accommodate input signals beyond the rails. This eliminates non-linear output errors due to input signals exceeding a traditionally limited common-mode voltage range. The LMC6492/LMC6494 signal range has a high CMRR of 82 dB for excellent accuracy in non-inverting circuit configurations.

The LMC6492/LMC6494 rail-to-rail input is complemented by rail-to-rail output swing. This assures maximum dynamic signal range which is particularly important in 5V systems.

Ultra-low input current of 150 fA and 120 dB open loop gain provide high accuracy and direct interfacing with high impedance sources.

Features

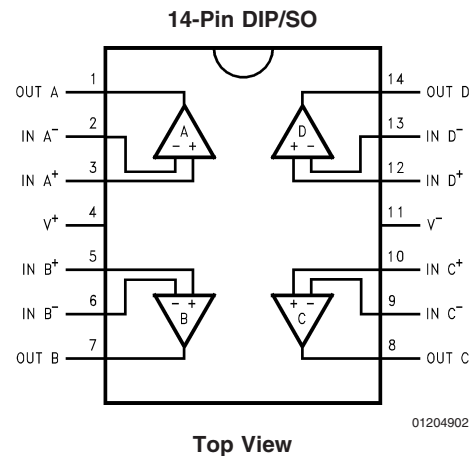
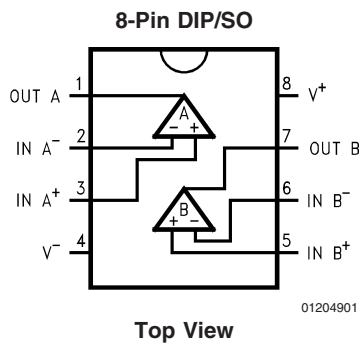
(Typical unless otherwise noted)

- Rail-to-Rail input common-mode voltage range, guaranteed over temperature
- Rail-to-Rail output swing within 20 mV of supply rail, 100 k Ω load
- Operates from 5V to 15V supply
- Excellent CMRR and PSRR 82 dB
- Ultra low input current 150 fA
- High voltage gain ($R_L = 100\text{ k}\Omega$) 120 dB
- Low supply current (@ $V_S = 5\text{V}$) 500 μA /Amplifier
- Low offset voltage drift 1.0 $\mu\text{V}/^{\circ}\text{C}$

Applications

- Automotive transducer amplifier
- Pressure sensor
- Oxygen sensor
- Temperature sensor
- Speed sensor

Connection Diagrams



Absolute Maximum Ratings (Note 1)

If Military/Aerospace specified devices are required, please contact the National Semiconductor Sales Office/Distributors for availability and specifications.

| | |
|---|--|
| ESD Tolerance (Note 2) | 2000V |
| Differential Input Voltage | ±Supply Voltage |
| Voltage at Input/Output Pin | (V ⁺) + 0.3V, (V ⁻) - 0.3V |
| Supply Voltage (V ⁺ - V ⁻) | 16V |
| Current at Input Pin | ±5 mA |
| Current at Output Pin (Note 3) | ±30 mA |
| Current at Power Supply Pin | 40 mA |
| Lead Temp. (Soldering, 10 sec.) | 260°C |
| Storage Temperature Range | -65°C to +150°C |

Junction Temperature (Note 4) 150°C

Operating Conditions (Note 1)

| | |
|---------------------------------------|---------------------------------|
| Supply Voltage | 2.5V ≤ V ⁺ ≤ 15.5V |
| Junction Temperature Range | |
| LMC6492AE, LMC6492BE | -40°C ≤ T _J ≤ +125°C |
| LMC6494AE, LMC6494BE | -40°C ≤ T _J ≤ +125°C |
| Thermal Resistance (θ _{JA}) | |
| N Package, 8-Pin Molded DIP | 108°C/W |
| M Package, 8-Pin Surface Mount | 171°C/W |
| N Package, 14-Pin Molded DIP | 78°C/W |
| M Package, 14-Pin Surface Mount | 118°C/W |

DC Electrical Characteristics

Unless otherwise specified, all limits guaranteed for T_J = 25°C, V⁺ = 5V, V⁻ = 0V, V_{CM} = V_O = V⁺/2 and R_L > 1 MΩ. **Boldface** limits apply at the temperature extremes

| Symbol | Parameter | Conditions | Typ (Note 5) | LMC6492AE LMC6494AE Limit (Note 6) | LMC6492BE LMC6494BE Limit (Note 6) | Units |
|-------------------|--|--|----------------------|---|---|-----------|
| V _{OS} | Input Offset Voltage | | 0.11 | 3.0 3.8 | 6.0 6.8 | mV max |
| TCV _{OS} | Input Offset Voltage Average Drift | | 1.0 | | | µV/°C |
| I _B | Input Bias Current | (Note 11) | 0.15 | 200 | 200 | pA max |
| I _{OS} | Input Offset Current | (Note 11) | 0.075 | 100 | 100 | pA max |
| R _{IN} | Input Resistance | | >10 | | | Tera Ω |
| C _{IN} | Common-Mode Input Capacitance | | 3 | | | pF |
| CMRR | Common-Mode Rejection Ratio | 0V ≤ V _{CM} ≤ 15V V ⁺ = 15V | 82 | 65 60 | 63 58 | dB min |
| | | 0V ≤ V _{CM} ≤ 5V | 82 | 65 60 | 63 58 | |
| +PSRR | Positive Power Supply Rejection Ratio | 5V ≤ V ⁺ ≤ 15V, V _O = 2.5V | 82 | 65 60 | 63 58 | dB min |
| -PSRR | Negative Power Supply Rejection Ratio | 0V ≤ V ⁻ ≤ -10V, V _O = 2.5V | 82 | 65 60 | 63 58 | dB min |
| V _{CM} | Input Common-Mode Voltage Range | V ⁺ = 5V and 15V For CMRR ≥ 50 dB | V ⁻ - 0.3 | -0.25 0 | -0.25 0 | V max |
| | | | V ⁺ + 0.3 | V ⁺ + 0.25 V⁺ | V ⁺ + 0.25 V⁺ | V min |
| A _V | Large Signal Voltage Gain | R _L = 2 kΩ: Sourcing (Note 7) Sinking | 300 | | | V/mV |
| | | | 40 | | | min |

DC Electrical Characteristics (Continued)

Unless otherwise specified, all limits guaranteed for $T_J = 25^\circ\text{C}$, $V^+ = 5\text{V}$, $V^- = 0\text{V}$, $V_{\text{CM}} = V_O = V^+/2$ and $R_L > 1\text{ M}\Omega$. **Boldface** limits apply at the temperature extremes

| Symbol | Parameter | Conditions | Typ (Note 5) | LMC6492AE LMC6494AE Limit (Note 6) | LMC6492BE LMC6494BE Limit (Note 6) | Units | | |
|-----------------|--|---|---|---|---|-----------------|-----------------|-----------|
| V_O | Output Swing | $V^+ = 5\text{V}$ $R_L = 2\text{ k}\Omega$ to $V^+/2$ | 4.9 | 4.8 4.7 | 4.8 4.7 | V min | | |
| | | | 0.1 | 0.18 0.24 | 0.18 0.24 | V max | | |
| | | $V^+ = 5\text{V}$ $R_L = 600\Omega$ to $V^+/2$ | 4.7 | 4.5 4.24 | 4.5 4.24 | V min | | |
| | | | 0.3 | 0.5 0.65 | 0.5 0.65 | V max | | |
| | | $V^+ = 15\text{V}$ $R_L = 2\text{ k}\Omega$ to $V^+/2$ | 14.7 | 14.4 14.0 | 14.4 14.0 | V min | | |
| | | | 0.16 | 0.35 0.5 | 0.35 0.5 | V max | | |
| | | $V^+ = 15\text{V}$ $R_L = 600\Omega$ to $V^+/2$ | 14.1 | 13.4 13.0 | 13.4 13.0 | V min | | |
| | | | 0.5 | 1.0 1.5 | 1.0 1.5 | V max | | |
| | | I_{SC} | Output Short Circuit Current $V^+ = 5\text{V}$ | Sourcing, $V_O = 0\text{V}$ | 25 | 16 10 | 16 10 | mA min |
| | | | | Sinking, $V_O = 5\text{V}$ | 22 | 11 8 | 11 8 | |
| I_{SC} | Output Short Circuit Current $V^+ = 15\text{V}$ | Sourcing, $V_O = 0\text{V}$ | 30 | 28 20 | 28 20 | | | |
| | | Sinking, $V_O = 5\text{V}$ (Note 8) | 30 | 30 22 | 30 22 | | | |
| I_S | Supply Current | LMC6492 $V^+ = +5\text{V}$, $V_O = V^+/2$ | 1.0 | 1.75 2.1 | 1.75 2.1 | mA max | | |
| | | LMC6492 $V^+ = +15\text{V}$, $V_O = V^+/2$ | 1.3 | 1.95 2.3 | 1.95 2.3 | mA max | | |
| | | LMC6494 $V^+ = +5\text{V}$, $V_O = V^+/2$ | 2.0 | 3.5 4.2 | 3.5 4.2 | mA max | | |
| | | LMC6494 $V^+ = +15\text{V}$, $V_O = V^+/2$ | 2.6 | 3.9 4.6 | 3.9 4.6 | mA max | | |

AC Electrical Characteristics

Unless otherwise specified, all limits guaranteed for $T_J = 25^\circ\text{C}$, $V^+ = 5\text{V}$, $V^- = 0\text{V}$, $V_{\text{CM}} = V_O = V^+/2$ and $R_L > 1\text{M}\Omega$. **Boldface** limits apply at the temperature extremes

| Symbol | Parameter | Conditions | Typ (Note 5) | LMC6492AE LMC6494AE Limit (Note 6) | LMC6492BE LMC6494BE Limit (Note 6) | Units |
|----------|---------------------------------|---|-----------------|---|---|------------------------|
| SR | Slew Rate | (Note 9) | 1.3 | 0.7 0.5 | 0.7 0.5 | $V_{\mu\text{s}}$ min |
| GBW | Gain-Bandwidth Product | $V^+ = 15\text{V}$ | 1.5 | | | MHz |
| ϕ_m | Phase Margin | | 50 | | | Deg |
| G_m | Gain Margin | | 15 | | | dB |
| | Amp-to-Amp Isolation | (Note 10) | 150 | | | dB |
| e_n | Input-Referred Voltage Noise | $F = 1\text{ kHz}$ $V_{\text{CM}} = 1\text{V}$ | 37 | | | $\frac{nV}{\sqrt{Hz}}$ |
| i_n | Input-Referred Current Noise | $F = 1\text{ kHz}$ | 0.06 | | | $\frac{pA}{\sqrt{Hz}}$ |
| T.H.D. | Total Harmonic Distortion | $F = 1\text{ kHz}$, $A_V = -2$ $R_L = 10\text{ k}\Omega$, $V_O = -4.1 V_{\text{PP}}$ | 0.01 | | | % |
| | | $F = 10\text{ kHz}$, $A_V = -2$ $R_L = 10\text{ k}\Omega$, $V_O = 8.5 V_{\text{PP}}$ $V^+ = 10\text{V}$ | 0.01 | | | |

Note 1: Absolute Maximum Ratings indicate limits beyond which damage to the device may occur. Operating Ratings indicate conditions for which the device is intended to be functional, but specific performance is not guaranteed. For guaranteed specifications and the test conditions, see the Electrical Characteristics.

Note 2: Human body model, $1.5\text{ k}\Omega$ in series with 100 pF .

Note 3: Applies to both single-supply and split-supply operation. Continuous short operation at elevated ambient temperature can result in exceeding the maximum allowed junction temperature at 150°C . Output currents in excess of $\pm 30\text{ mA}$ over long term may adversely affect reliability.

Note 4: The maximum power dissipation is a function of $T_{\text{J(max)}}$, θ_{JA} and T_A . The maximum allowable power dissipation at any ambient temperature is $P_D = (T_{\text{J(max)}} - T_A)/\theta_{\text{JA}}$. All numbers apply for packages soldered directly into a PC board.

Note 5: Typical Values represent the most likely parametric norm.

Note 6: All limits are guaranteed by testing or statistical analysis.

Note 7: $V^+ = 15\text{V}$, $V_{\text{CM}} = 7.5\text{V}$ and R_L connected to 7.5V . For Sourcing tests, $7.5\text{V} \leq V_O \leq 11.5\text{V}$. For Sinking tests, $3.5\text{V} \leq V_O \leq 7.5\text{V}$.

Note 8: Do not short circuit output to V^+ , when V^+ is greater than 13V or reliability will be adversely affected.

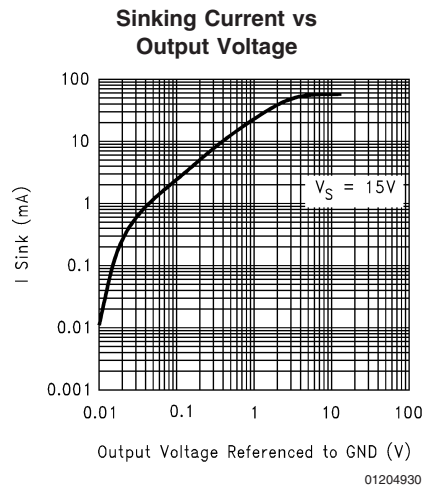
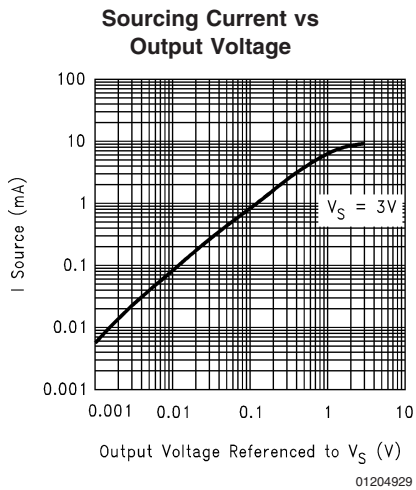
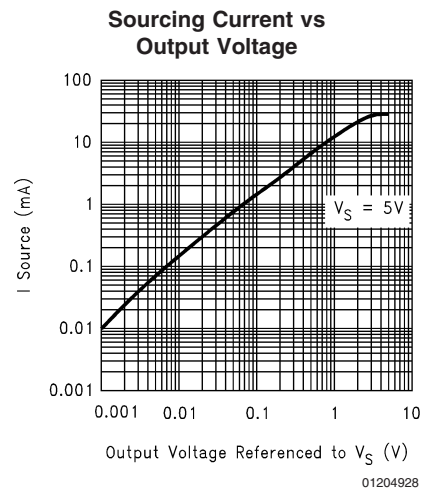
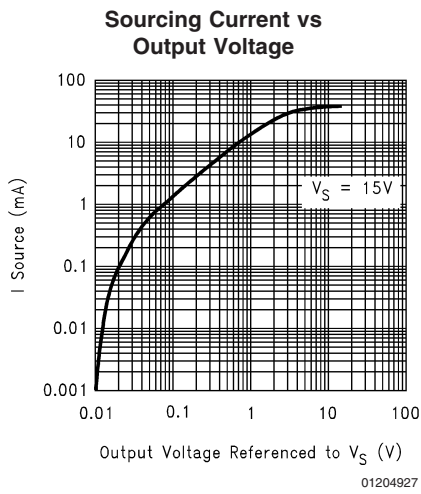
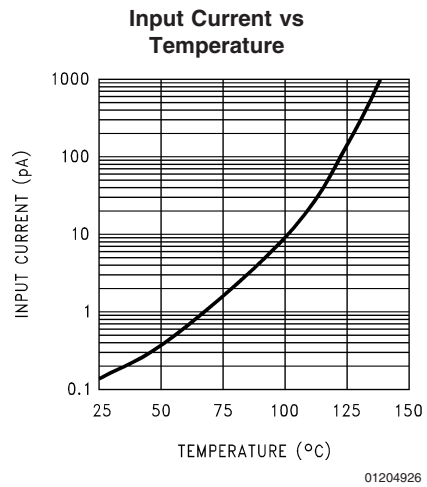
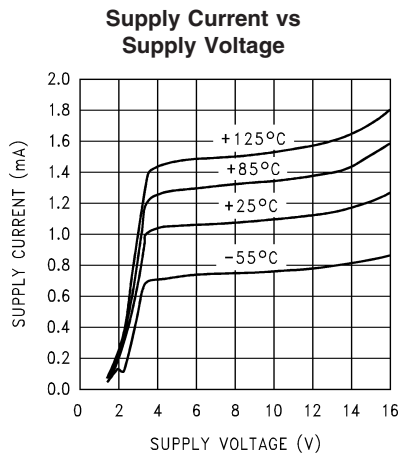
Note 9: $V^+ = 15\text{V}$. Connected as voltage follower with 10V step input. Number specified is the slower of the positive and negative slew rates.

Note 10: Input referred, $V^+ = 15\text{V}$ and $R_L = 100\text{ k}\Omega$ connected to 7.5V . Each amp excited in turn with 1 kHz to produce $V_O = 12 V_{\text{PP}}$.

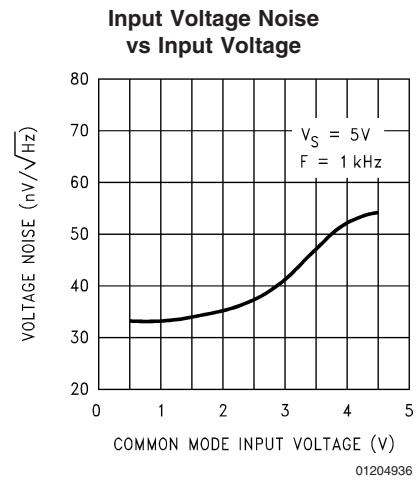
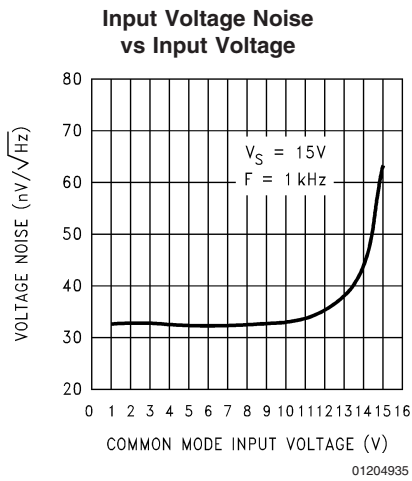
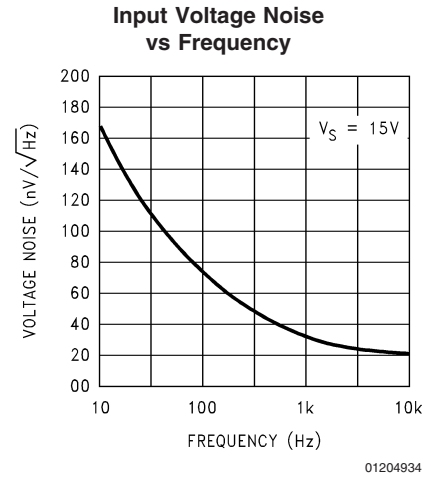
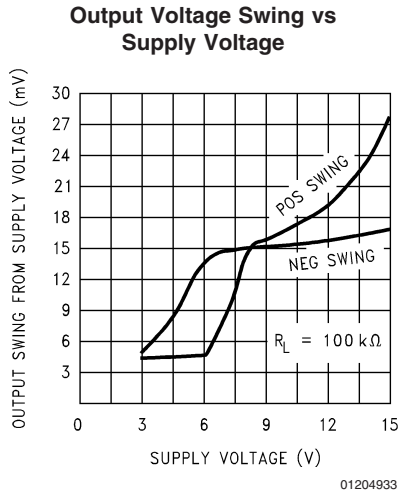
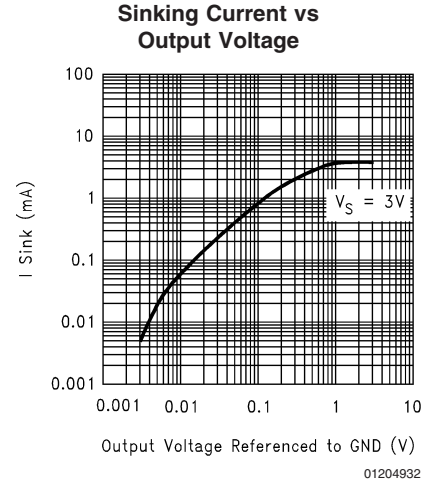
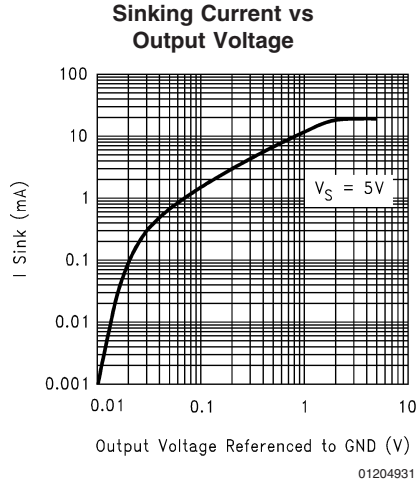
Note 11: Guaranteed limits are dictated by tester limits and not device performance. Actual performance is reflected in the typical value.

Typical Performance Characteristics

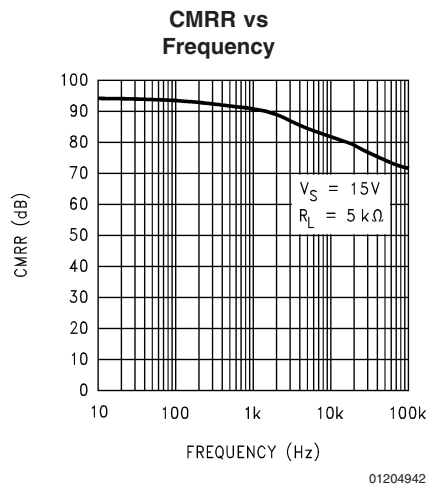
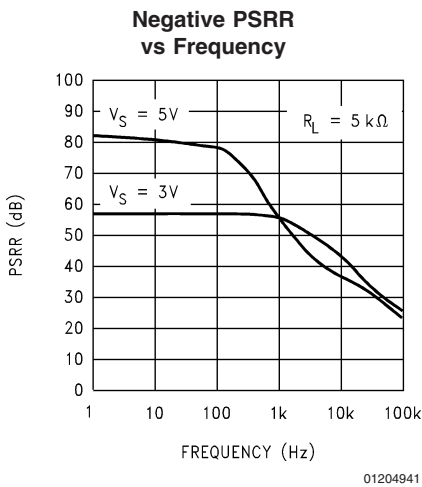
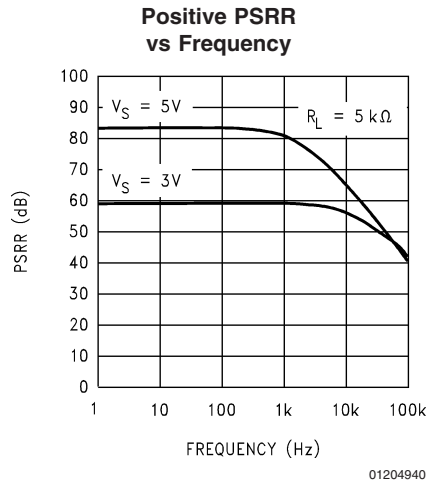
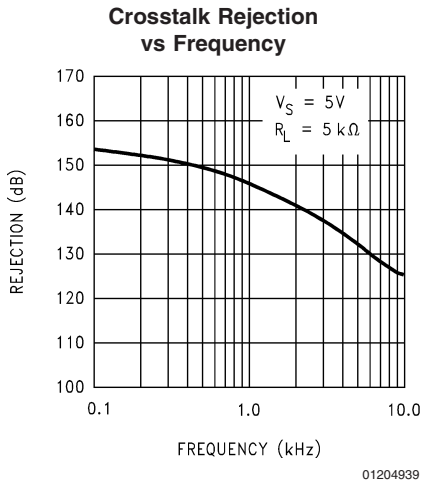
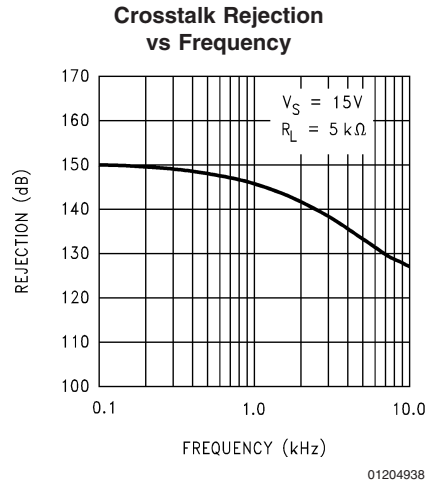
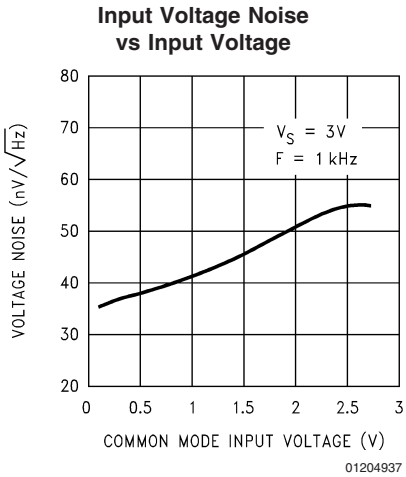
$V_S = +15V$, Single Supply, $T_A = 25^\circ C$ unless otherwise specified



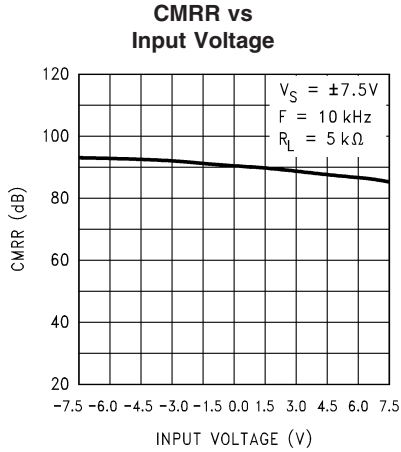
Typical Performance Characteristics $V_S = +15V$, Single Supply, $T_A = 25^\circ C$ unless otherwise specified (Continued)



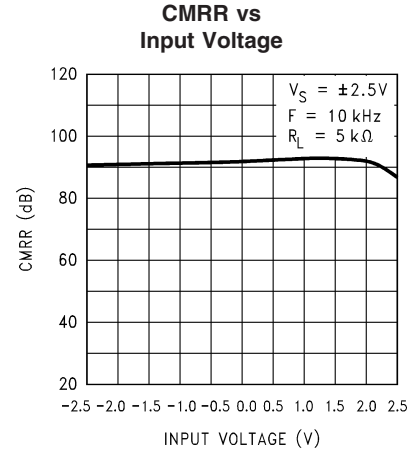
Typical Performance Characteristics $V_S = +15V$, Single Supply, $T_A = 25^\circ C$ unless otherwise specified (Continued)



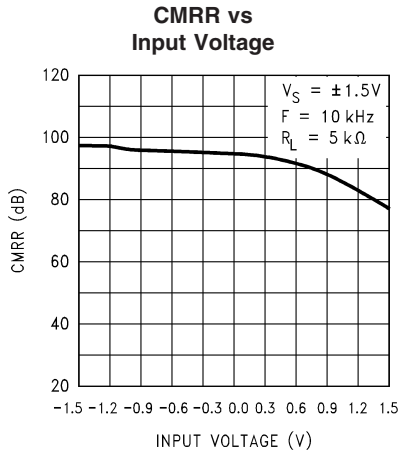
Typical Performance Characteristics $V_S = +15V$, Single Supply, $T_A = 25^\circ C$ unless otherwise specified (Continued)



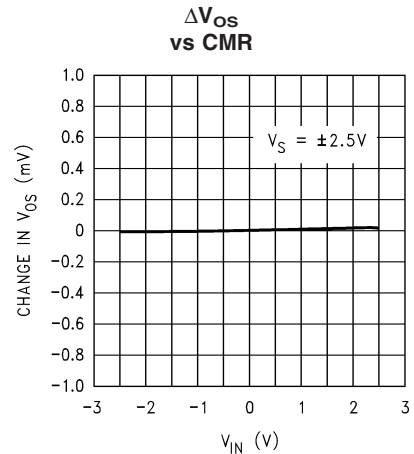
01204943



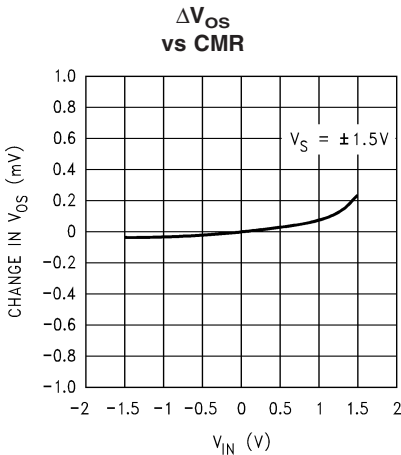
01204944



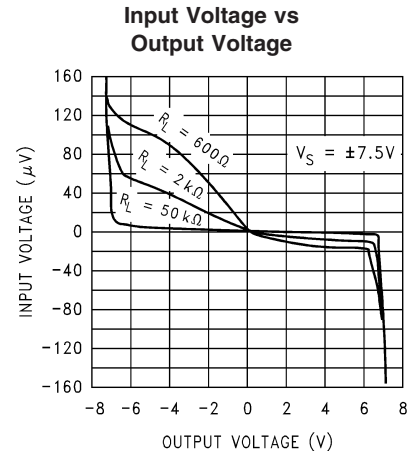
01204945



01204946

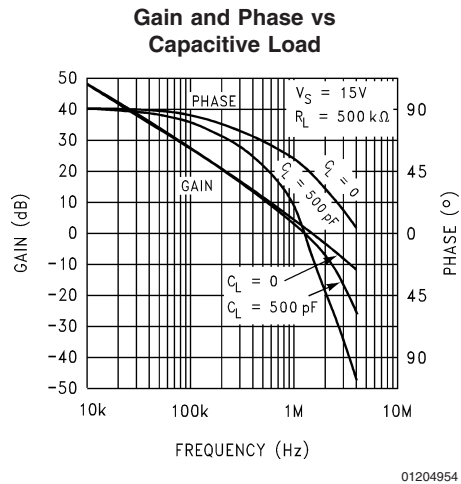
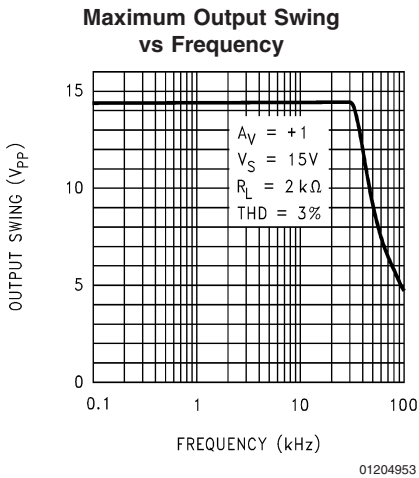
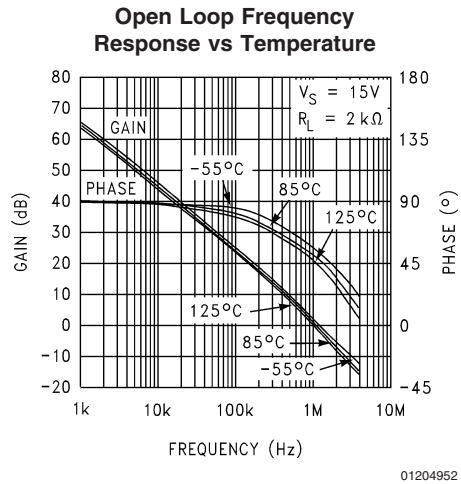
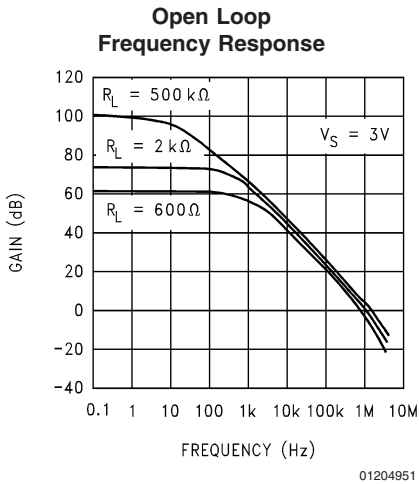
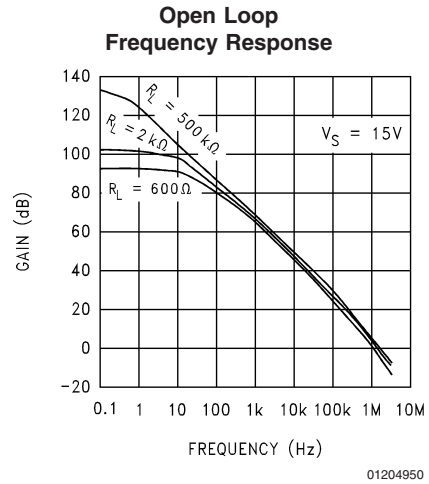
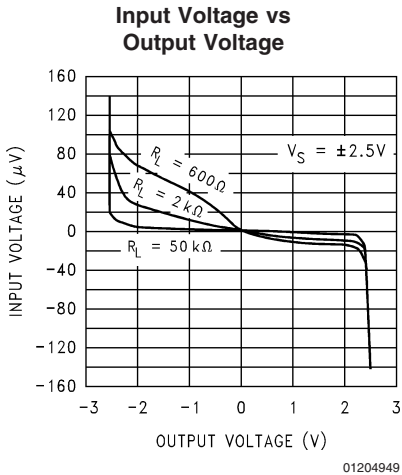


01204947

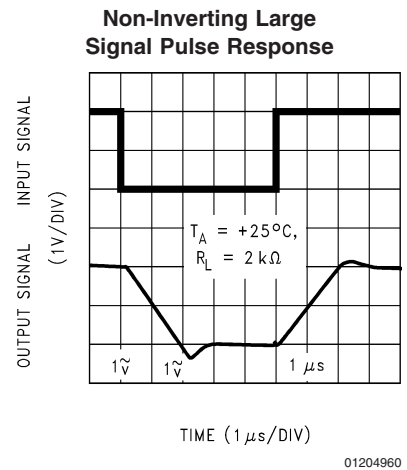
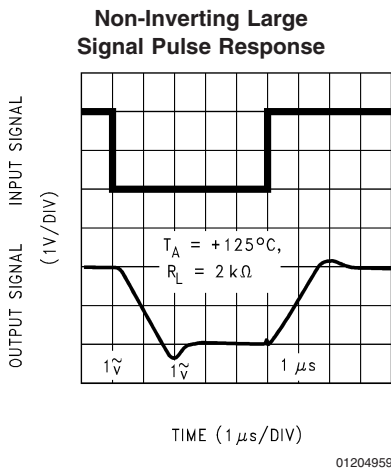
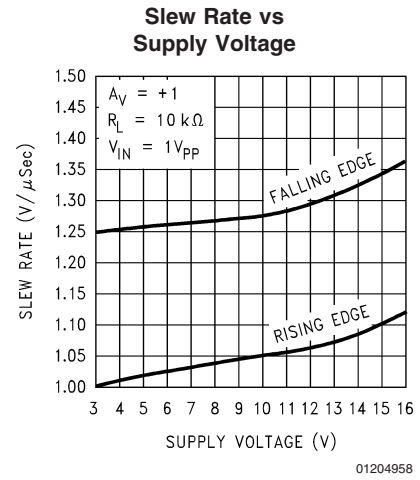
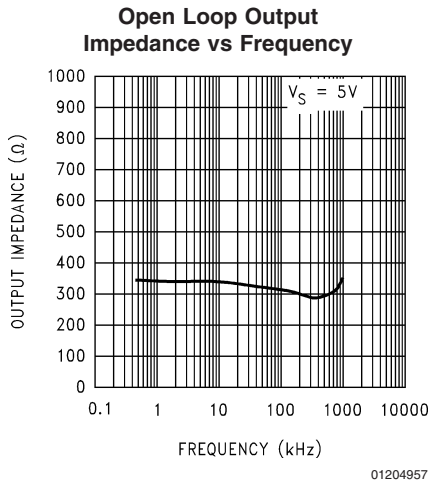
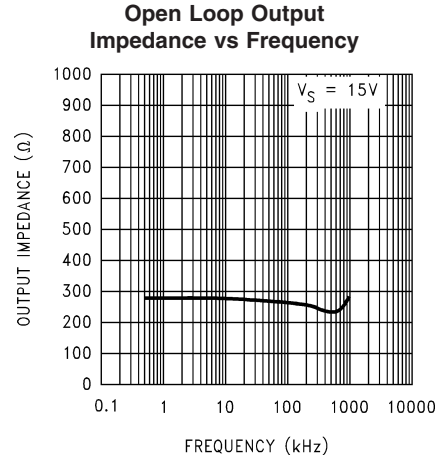
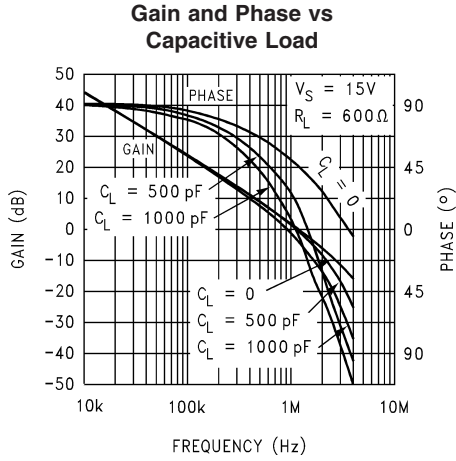


01204948

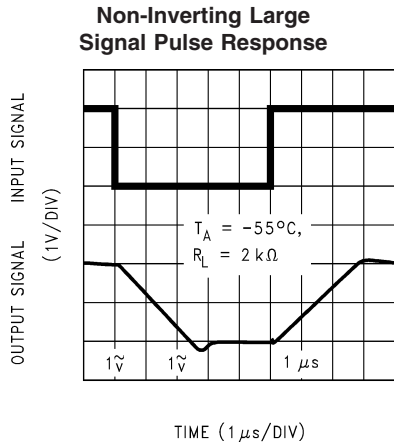
Typical Performance Characteristics $V_S = +15V$, Single Supply, $T_A = 25^\circ C$ unless otherwise specified (Continued)



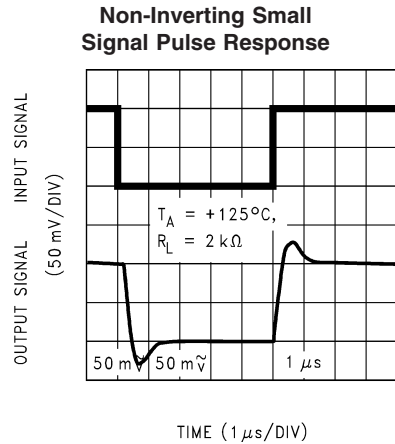
Typical Performance Characteristics $V_S = +15V$, Single Supply, $T_A = 25^\circ C$ unless otherwise specified (Continued)



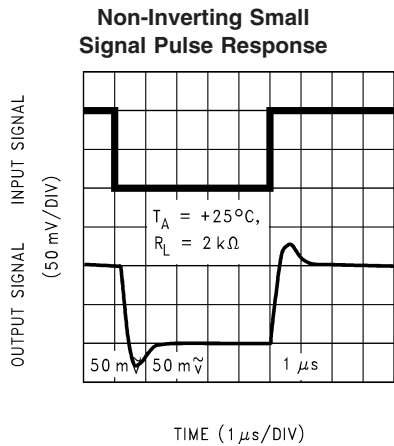
Typical Performance Characteristics $V_S = +15V$, Single Supply, $T_A = 25^\circ C$ unless otherwise specified (Continued)



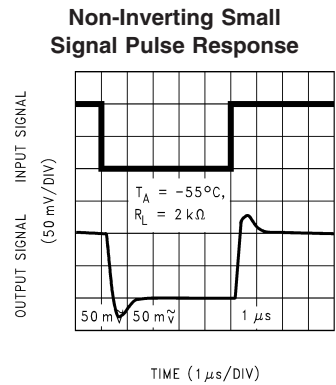
01204961



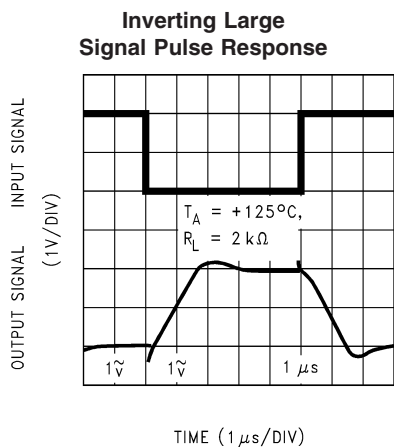
01204962



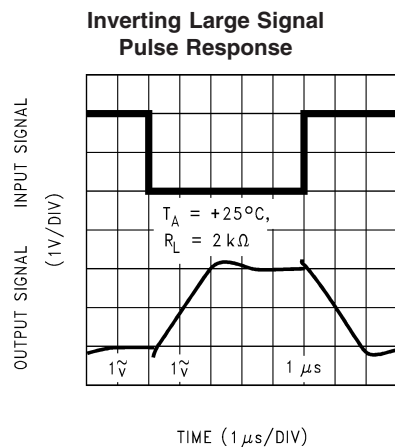
01204963



01204964

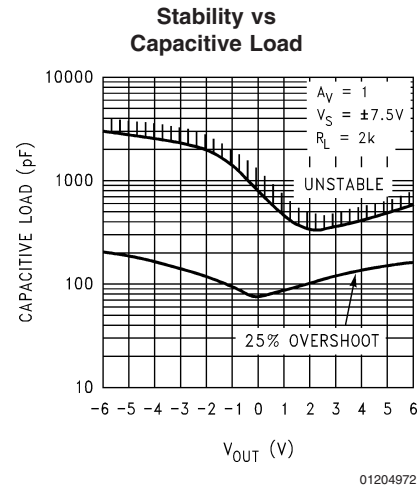
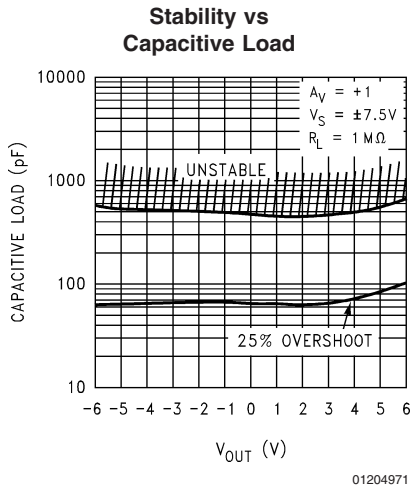
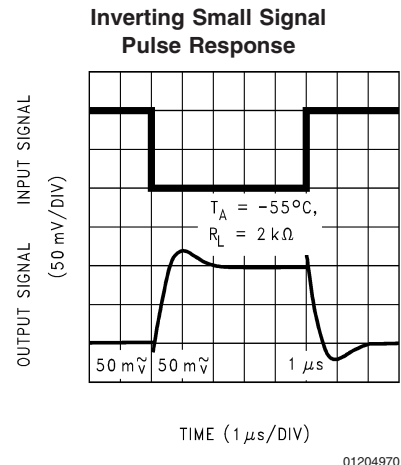
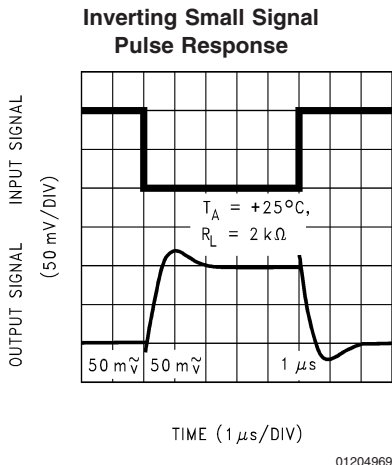
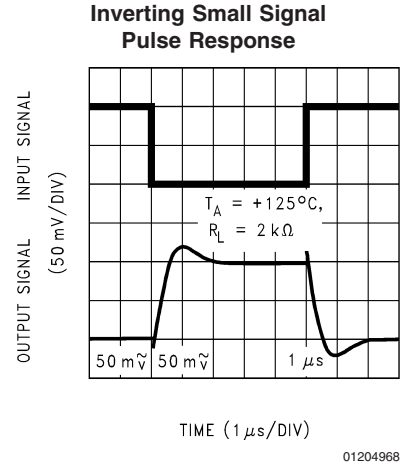
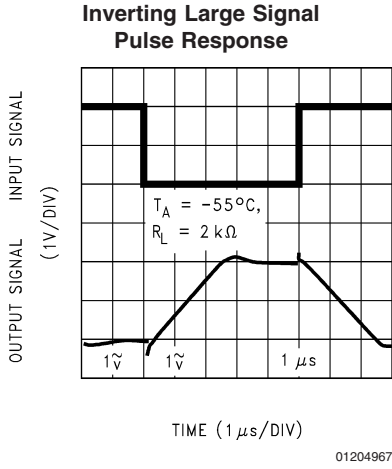


01204965

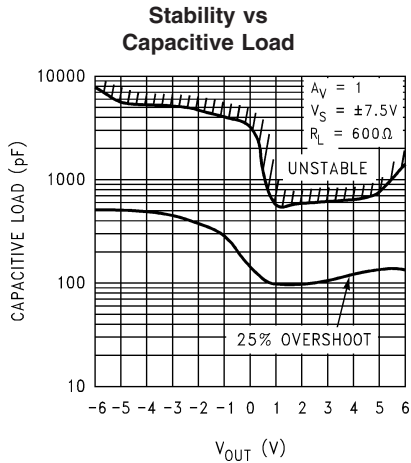


01204966

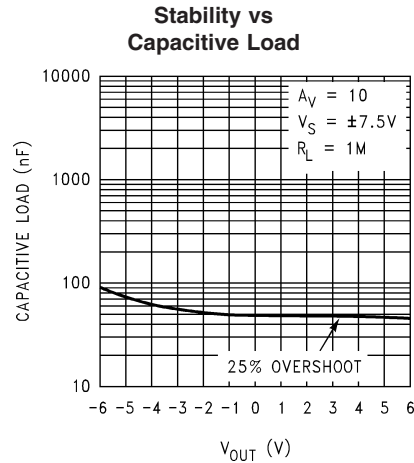
Typical Performance Characteristics $V_S = +15V$, Single Supply, $T_A = 25^\circ C$ unless otherwise specified (Continued)



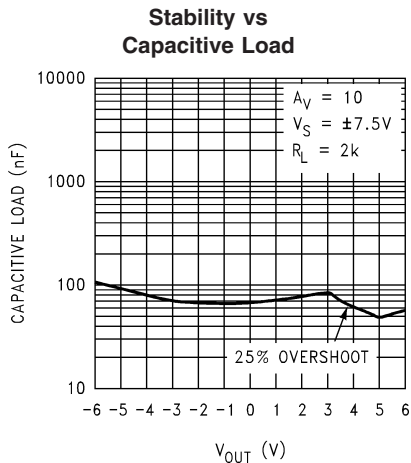
Typical Performance Characteristics $V_S = +15V$, Single Supply, $T_A = 25^\circ C$ unless otherwise specified (Continued)



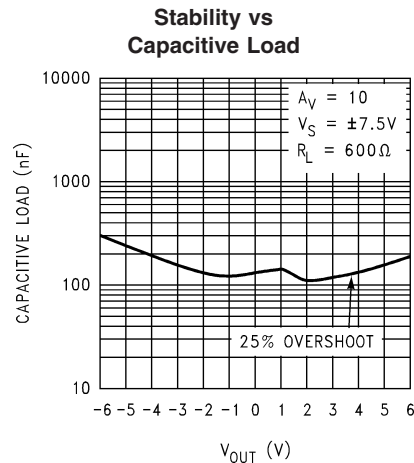
01204973



01204974



01204975



01204976

Application Hints

INPUT COMMON-MODE VOLTAGE RANGE

Unlike Bi-FET amplifier designs, the LMC6492/4 does not exhibit phase inversion when an input voltage exceeds the negative supply voltage. *Figure 1* shows an input voltage exceeding both supplies with no resulting phase inversion on the output.

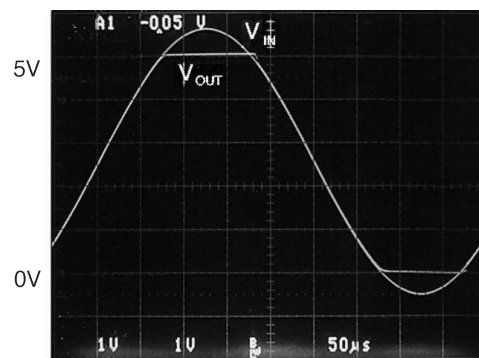


FIGURE 1. An Input Voltage Signal Exceeds the LMC6492/4 Power Supply Voltages with No Output Phase Inversion

The absolute maximum input voltage is 300 mV beyond either supply rail at room temperature. Voltages greatly exceeding this absolute maximum rating, as in *Figure 2*, can cause excessive current to flow in or out of the input pins possibly affecting reliability.

Application Hints (Continued)

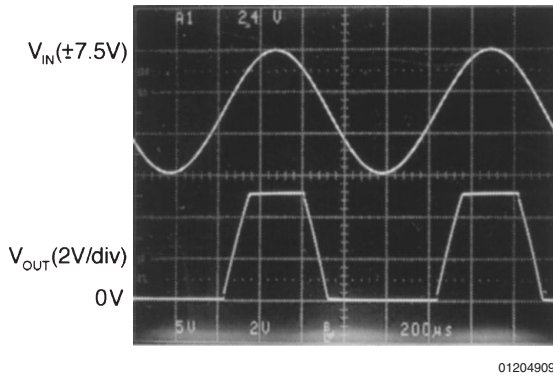


FIGURE 2. A ±7.5V Input Signal Greatly Exceeds the 5V Supply in Figure 3 Causing No Phase Inversion Due to R_I

Applications that exceed this rating must externally limit the maximum input current to ±5 mA with an input resistor (R_I) as shown in Figure 3.

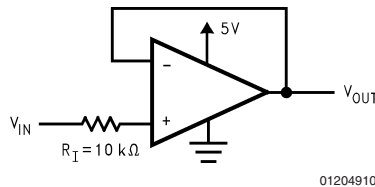


FIGURE 3. R_I Input Current Protection for Voltages Exceeding the Supply Voltages

RAIL-TO-RAIL OUTPUT

The approximate output resistance of the LMC6492/4 is 110Ω sourcing and 80Ω sinking at V_s = 5V. Using the calculated output resistance, maximum output voltage swing can be estimated as a function of load.

COMPENSATING FOR INPUT CAPACITANCE

It is quite common to use large values of feedback resistance for amplifiers with ultra-low input current, like the LMC6492/4.

Although the LMC6492/4 is highly stable over a wide range of operating conditions, certain precautions must be met to achieve the desired pulse response when a large feedback resistor is used. Large feedback resistors with even small values of input capacitance, due to transducers, photodiodes, and circuit board parasitics, reduce phase margins.

When high input impedances are demanded, guarding of the LMC6492/4 is suggested. Guarding input lines will not only reduce leakage, but lowers stray input capacitance as well. (See *Printed-Circuit-Board Layout for High Impedance Work*).

The effect of input capacitance can be compensated for by adding a capacitor, C_f, around the feedback resistors (as in Figure 1) such that:

$$\frac{1}{2\pi R_1 C_{IN}} \geq \frac{1}{2\pi R_2 C_f}$$

or

$$R_1 C_{IN} \leq R_2 C_f$$

Since it is often difficult to know the exact value of C_{IN}, C_f can be experimentally adjusted so that the desired pulse response is achieved. Refer to the LMC660 and LMC662 for a more detailed discussion on compensating for input capacitance.

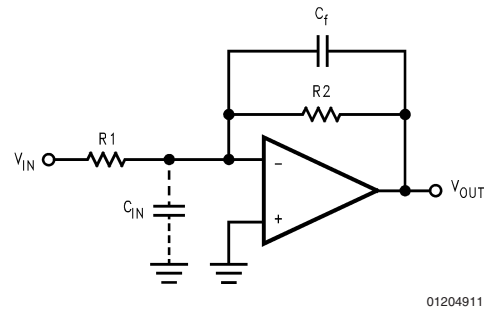


FIGURE 4. Cancelling the Effect of Input Capacitance

CAPACITIVE LOAD TOLERANCE

All rail-to-rail output swing operational amplifiers have voltage gain in the output stage. A compensation capacitor is normally included in this integrator stage. The frequency location of the dominant pole is affected by the resistive load on the amplifier. Capacitive load driving capability can be optimized by using an appropriate resistive load in parallel with the capacitive load (see Typical Curves).

Direct capacitive loading will reduce the phase margin of many op-amps. A pole in the feedback loop is created by the combination of the op-amp's output impedance and the capacitive load. This pole induces phase lag at the unity-gain crossover frequency of the amplifier resulting in either an oscillatory or underdamped pulse response. With a few external components, op amps can easily indirectly drive capacitive loads, as shown in Figure 5.

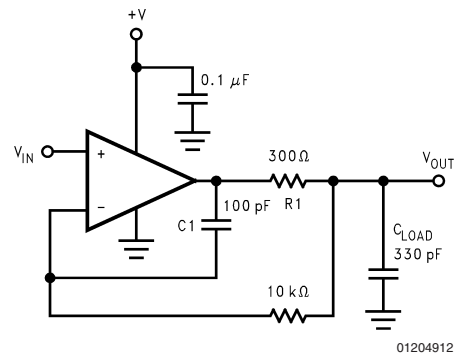


FIGURE 5. LMC6492/4 Noninverting Amplifier, Compensated to Handle Capacitive Loads

PRINTED-CIRCUIT-BOARD LAYOUT FOR HIGH-IMPEDANCE WORK

It is generally recognized that any circuit which must operate with less than 1000 pA of leakage current requires special layout of the PC board. When one wishes to take advantage of the ultra-low bias current of the LMC6492/4, typically 150 fA, it is essential to have an excellent layout. Fortunately, the techniques of obtaining low leakages are quite

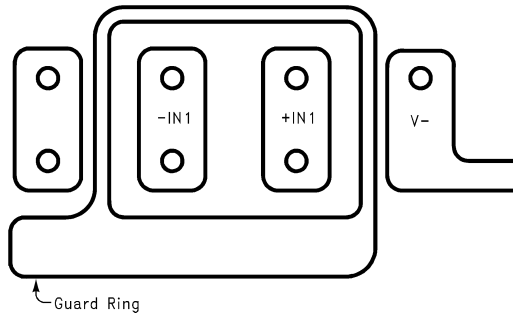
Application Hints (Continued)

simple. First, the user must not ignore the surface leakage of the PC board, even though it may sometimes appear acceptably low, because under conditions of high humidity or dust or contamination, the surface leakage will be appreciable.

To minimize the effect of any surface leakage, lay out a ring of foil completely surrounding the LMC6492/4's inputs and the terminals of components connected to the op-amp's inputs, as in *Figure 6*. To have a significant effect, guard rings should be placed on both the top and bottom of the PC board. This PC foil must then be connected to a voltage

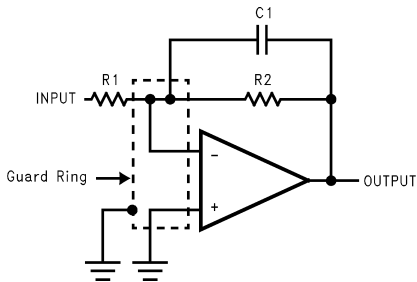
which is at the same voltage as the amplifier inputs, since no leakage current can flow between two points at the same potential. For example, a PC board trace-to-pad resistance of $10^{12}\Omega$, which is normally considered a very large resistance, could leak 5 pA if the trace were a 5V bus adjacent to the pad of the input.

This would cause a 33 times degradation from the LMC6492/4's actual performance. If a guard ring is used and held within 5 mV of the inputs, then the same resistance of $10^{11}\Omega$ will only cause 0.05 pA of leakage current. See *Figure 7* for typical connections of guard rings for standard op-amp configurations.



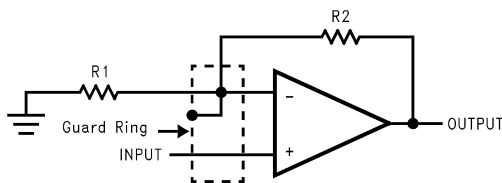
01204913

FIGURE 6. Examples of Guard Ring in PC Board Layout



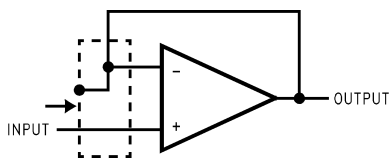
01204914

Inverting Amplifier



01204915

Non-Inverting Amplifier

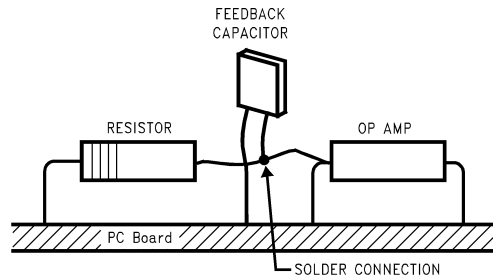


01204916

Follower

FIGURE 7. Typical Connections of Guard Rings

The designer should be aware that when it is inappropriate to lay out a PC board for the sake of just a few circuits, there is another technique which is even better than a guard ring on a PC board: Don't insert the amplifier's input pin into the board at all, but bend it up in the air and use only air as an insulator. Air is an excellent insulator. In this case you may have to forego some of the advantages of PC board construction, but the advantages are sometimes well worth the effort of using point-to-point up-in-the-air wiring. See *Figure 8*.



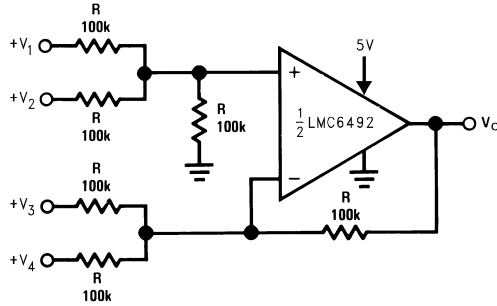
01204917

(Input pins are lifted out of PC board and soldered directly to components. All other pins connected to PC board).

FIGURE 8. Air Wiring

Application Circuits

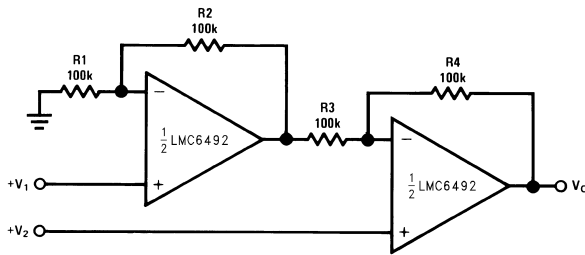
DC Summing Amplifier ($V_{IN} \geq 0V_{DC}$ and $V_O \geq V_{DC}$)



01204918

Where: $V_O = V_1 + V_2 - V_3 - V_4$
 $(V_1 + V_2 \geq (V_3 + V_4))$ to keep $V_O > 0V_{DC}$

High Input Z, DC Differential Amplifier



01204919

For

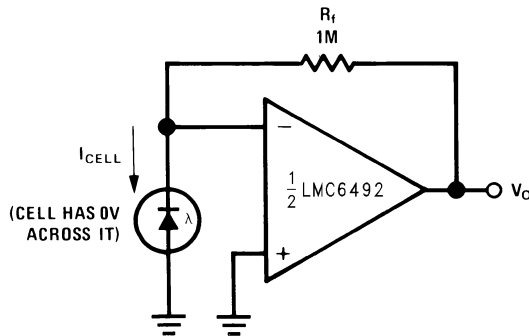
$$\frac{R_1}{R_2} = \frac{R_4}{R_3}$$

(CMRR depends on this resistor ratio match)

$$V_O = 1 + \frac{R_4}{R_3}(V_2 - V_1)$$

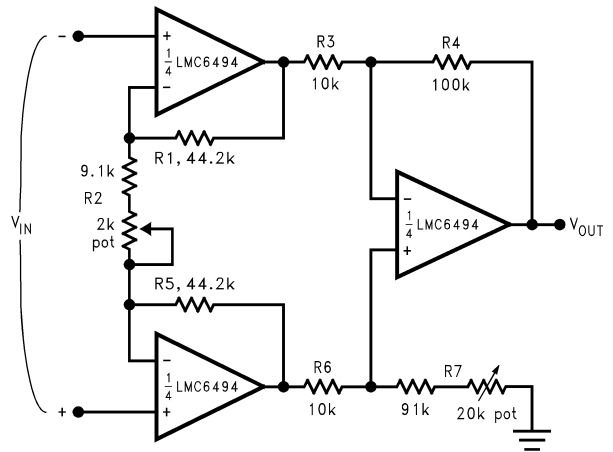
As shown: $V_O = 2(V_2 - V_1)$

Photo Voltaic-Cell Amplifier



01204920

Instrumentation Amplifier



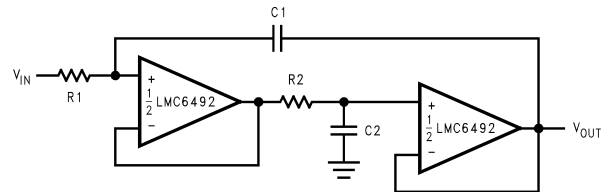
01204921

If $R_1 = R_5$, $R_3 = R_6$, and $R_4 = R_7$; then

$$\frac{V_{OUT}}{V_{IN}} = \frac{R_2 + 2R_1}{R_2} \times \frac{R_4}{R_3}$$

$\therefore A_V \approx 100$ for circuit shown ($R_2 = 9.3k$).

Rail-to-Rail Single Supply Low Pass Filter

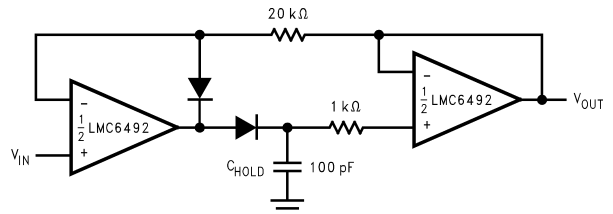


01204922

$$R_1 = R_2, C_1 = C_2; f = \frac{1}{2\pi R_1 C_1}; \text{Damping Factor} = \frac{1}{2} \sqrt{\frac{C_2}{C_1}} \sqrt{\frac{R_2}{R_1}}$$

This low-pass filter circuit can be used as an anti-aliasing filter with the same supply as the A/D converter. Filter designs can also take advantage of the LMC6492/4 ultra-low input current. The ultra-low input current yields negligible offset error even when large value resistors are used. This in turn allows the use of smaller valued capacitors which take less board space and cost less.

Low Voltage Peak Detector with Rail-to-Rail Peak Capture Range

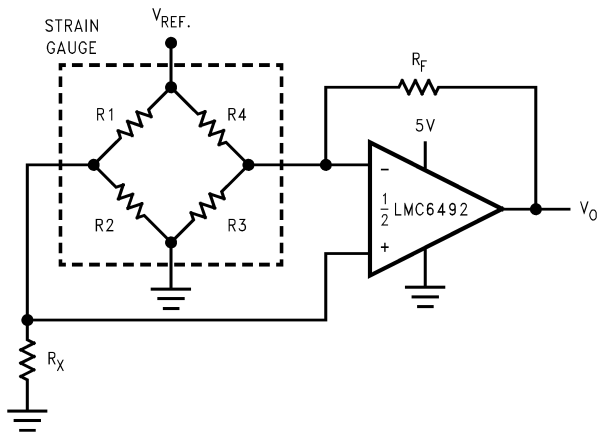


01204923

Dielectric absorption and leakage is minimized by using a polystyrene or polypropylene hold capacitor. The droop rate is primarily determined by the value of C_{HOLD} and diode leakage current. Select low-leakage current diodes to minimize drooping.

Application Circuits (Continued)

Pressure Sensor



01204924

 $R_f = R_x$
 $R_f \gg R_1, R_2, R_3, \text{ and } R_4$

$$V_O = \left(\frac{R_2}{R_1 + R_2} - \frac{R_3}{R_4 + R_3} \right) \frac{R_f (R_3 + R_4)}{R_3 R_4} V_{REF}$$

In a manifold absolute pressure sensor application, a strain gauge is mounted on the intake manifold in the engine unit. Manifold pressure causes the sensing resistors, R_1 , R_2 , R_3 and R_4 to change. The resistors change in a way such that R_2 and R_4 increase by the same amount R_1 and R_3 decrease. This causes a differential voltage between the input of the amplifier. The gain of the amplifier is adjusted by R_f .

Spice Macromodel

A spice macromodel is available for the LMC6492/4. This model includes accurate simulation of:

- Input common-mode voltage range
- Frequency and transient response
- GBW dependence on loading conditions
- Quiescent and dynamic supply current
- Output swing dependence on loading conditions

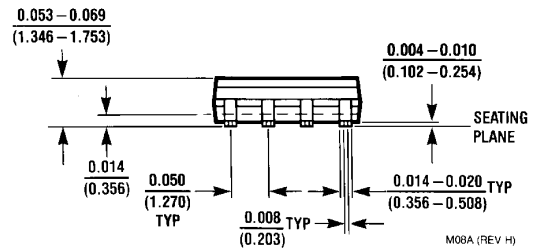
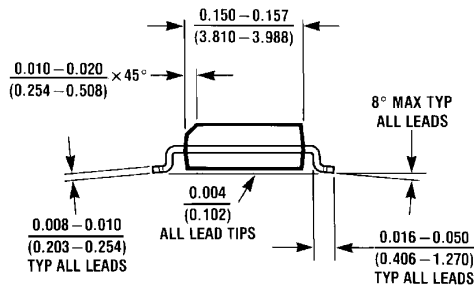
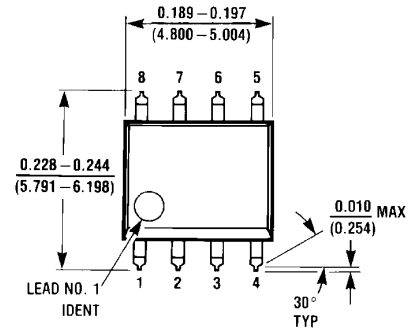
and many other characteristics as listed on the macromodel disk.

Contact your local National Semiconductor sales office to obtain an operational amplifier spice model library disk.

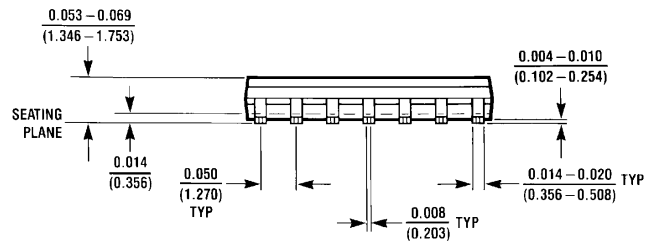
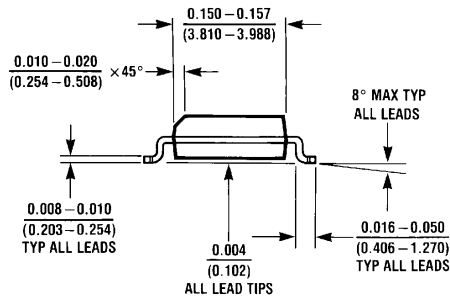
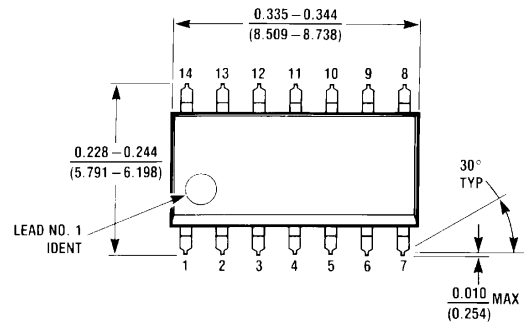
Ordering Information

| Package | Temperature Range | Transport Media | NSC Drawing |
|----------------------|--|-----------------|-------------|
| | Extended -40°C to $+125^{\circ}\text{C}$ | | |
| 8-Pin Small Outline | LMC6492AEM | Rails | M08A |
| | LMC6492BEM | | |
| | LMC6492AEMX | Tape and Reel | |
| | LMC6492BEMX | | |
| 8-Pin Molded DIP | LMC6492AEN | Rails | N08A |
| | LMC6492BEN | | |
| 14-Pin Small Outline | LMC6494AEM | Rails | M14A |
| | LMC6494BEM | | |
| | LMC6494AEMX | Tape and Reel | |
| | LMC6494BEMX | | |
| 14-Pin Molded DIP | LMC6494AEN | Rails | N14A |
| | LMC6494BEN | | |

Physical Dimensions inches (millimeters) unless otherwise noted

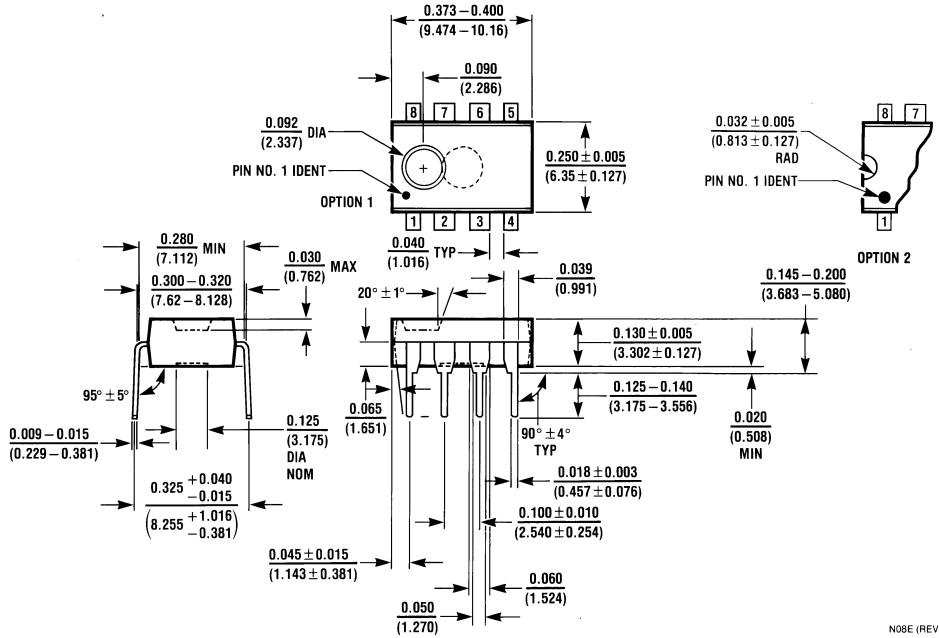


8-Pin Small Outline Package
 Order Number LMC6492AEM or LMC6492BEM
 NS Package Number M08A

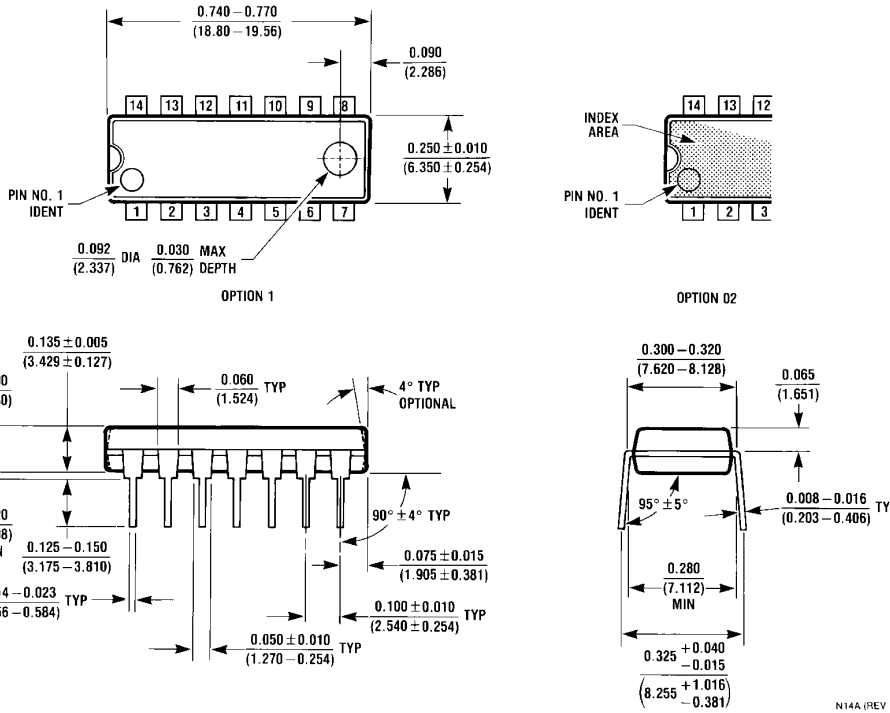


14-Pin Small Outline Package
 Order Number LMC6494AEM or LMC6494BEM
 NS Package Number M14A

Physical Dimensions inches (millimeters) unless otherwise noted (Continued)



8-Lead (0.300" Wide) Molded Dual-In-Line Package
Order Number LMC6492AEN or LMC6492BEN
NS Package Number N08A



14-Lead Molded Dual-In-Line Package
Order Number LMC6494AEN or LMC6494BEN
NS Package Number N14A

Notes

National does not assume any responsibility for use of any circuitry described, no circuit patent licenses are implied and National reserves the right at any time without notice to change said circuitry and specifications.

For the most current product information visit us at www.national.com.

LIFE SUPPORT POLICY

NATIONAL'S PRODUCTS ARE NOT AUTHORIZED FOR USE AS CRITICAL COMPONENTS IN LIFE SUPPORT DEVICES OR SYSTEMS WITHOUT THE EXPRESS WRITTEN APPROVAL OF THE PRESIDENT AND GENERAL COUNSEL OF NATIONAL SEMICONDUCTOR CORPORATION. As used herein:

1. Life support devices or systems are devices or systems which, (a) are intended for surgical implant into the body, or (b) support or sustain life, and whose failure to perform when properly used in accordance with instructions for use provided in the labeling, can be reasonably expected to result in a significant injury to the user.
2. A critical component is any component of a life support device or system whose failure to perform can be reasonably expected to cause the failure of the life support device or system, or to affect its safety or effectiveness.

BANNED SUBSTANCE COMPLIANCE

National Semiconductor certifies that the products and packing materials meet the provisions of the Customer Products Stewardship Specification (CSP-9-111C2) and the Banned Substances and Materials of Interest Specification (CSP-9-111S2) and contain no "Banned Substances" as defined in CSP-9-111S2.



National Semiconductor
Americas Customer
Support Center
 Email: new.feedback@nsc.com
 Tel: 1-800-272-9959

www.national.com

National Semiconductor
Europe Customer Support Center
 Fax: +49 (0) 180-530 85 86
 Email: europe.support@nsc.com
 Deutsch Tel: +49 (0) 69 9508 6208
 English Tel: +44 (0) 870 24 0 2171
 Français Tel: +33 (0) 1 41 91 8790

National Semiconductor
Asia Pacific Customer
Support Center
 Email: ap.support@nsc.com

National Semiconductor
Japan Customer Support Center
 Fax: 81-3-5639-7507
 Email: jpn.feedback@nsc.com
 Tel: 81-3-5639-7560