

## LMH730227/LMH730216/LMH730165 Single High Speed Op Amp Evaluation Boards (SOIC, SOT-23, and SC-70)

The LMH730227, LMH730216 and LMH730165 evaluation boards are designed to aid in the characterization of National Semiconductor's High Speed monolithic amplifiers.

- LMH730227 — SOIC packages
- LMH730216 — SOT-23 packages
- LMH730165 — SC-70 packages

Use the evaluation boards as a guide for high frequency layout and as a tool to aid in device testing and characterization.

The evaluation boards accommodate general purpose amplifiers, as well as amplifiers with the following features:

- Supply current adjustment via external Resistor
- Output disable

The evaluation board schematic is shown below. Refer to the product data sheets for recommendations for component values.

### BASIC OPERATION

These boards have identical circuit configurations and are designed to accommodate both non-inverting and inverting operation. By changing  $R_T$  or  $R_{IN}$  and  $R_{OUT}$  different input and output impedances can be matched. The SMA connectors and board traces are optimized for  $50\Omega$  operation, however other impedances can be matched as shown below.

$$\text{Inverting Gain} = R_F/R_G \quad (\text{Input Resistance} = R_T \parallel R_G)$$

$$\text{Non Inverting Gain} = 1 + R_F/(R_G + R_T) \\ (\text{Input Resistance} = R_{IN})$$

( $R_T$  may be set to zero for non inverting operation)

For current feedback operational amplifiers be careful to use appropriate values of  $R_F$ . In addition the required value of  $R_G$  will limit choices for input impedance with Inverting gains.

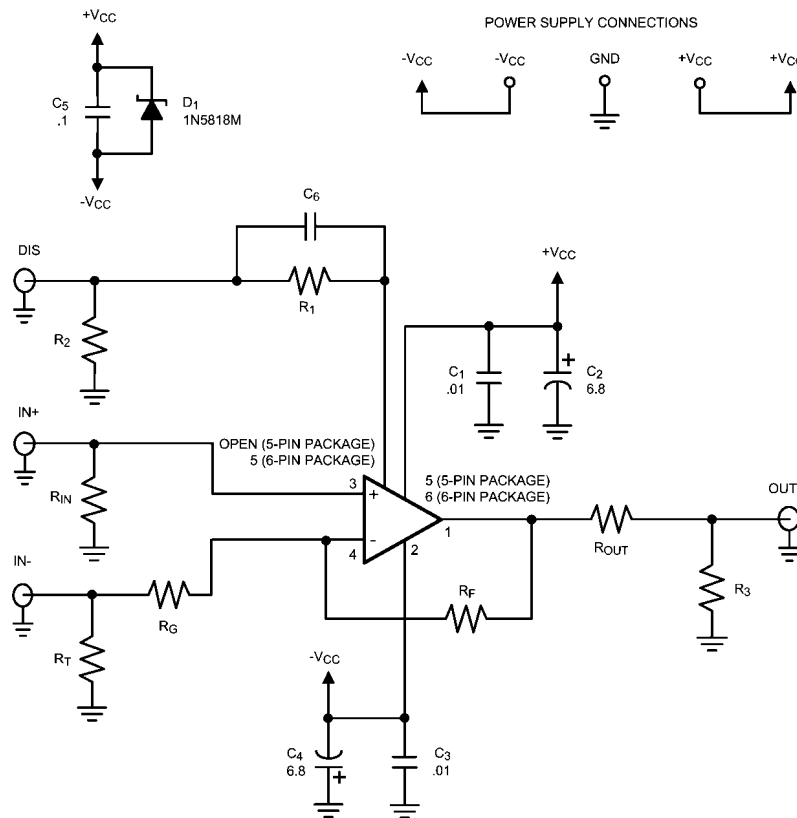


FIGURE 1. SOT-23 and SC-70 Schematic

# LAYOUT CONSIDERATIONS

Printed circuit board layout and supply bypassing play major roles in determining high frequency performance. When de-

signing your own board use these evaluation boards as a guide and follow these steps to optimize high frequency performance:

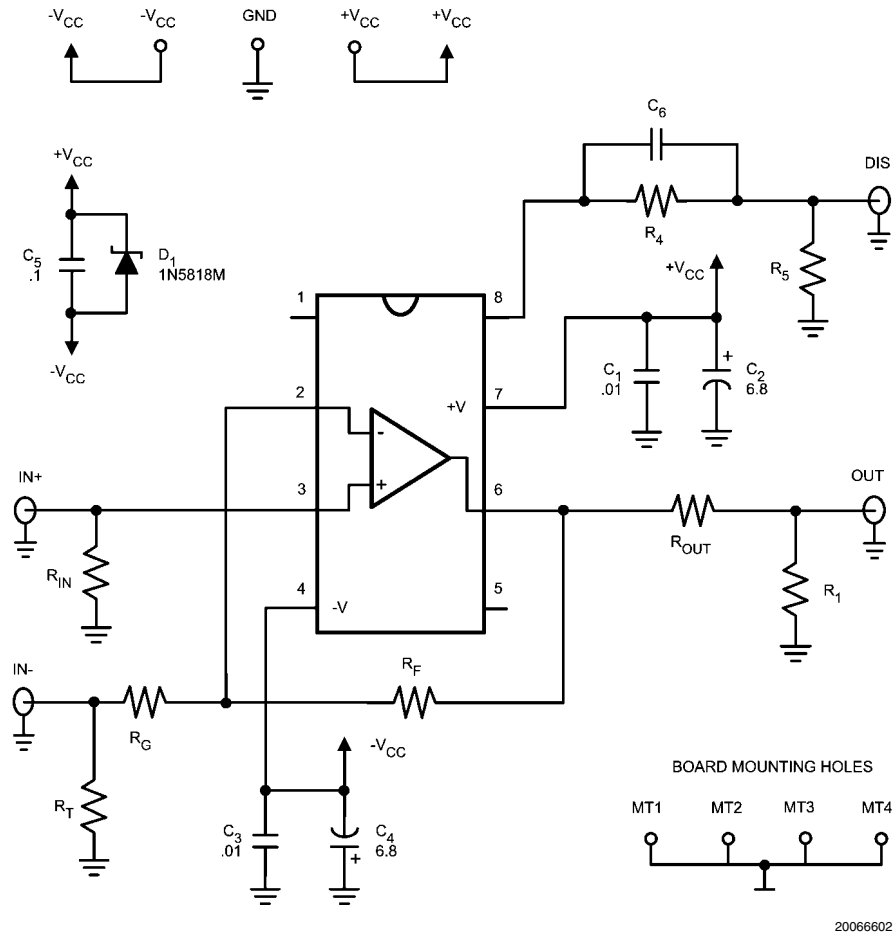
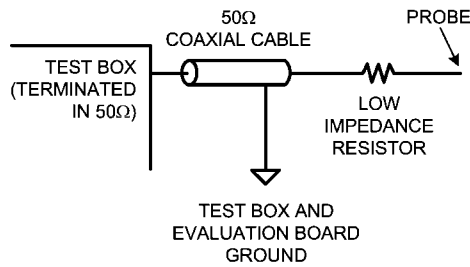


FIGURE 2. SOIC Schematic



$$\text{PROBE ATTENUATION} = \frac{50}{R + 50}$$

FIGURE 3. Probe Schematic

1. Use a ground plane
2. Include large (~6.8μF) capacitors on both supplies.
3. Near the device use .01μF ceramic capacitors from both supplies to ground C<sub>1</sub>, C<sub>3</sub>.
4. Near the device use a .1μF ceramic capacitor between the supplies C<sub>5</sub>.
5. Remove the ground and power planes from under and around the part, especially the input and output pins.
6. Minimize all trace lengths.
7. Use terminated transmission lines for long traces.
8. High-speed disable/enable operation requires that the enable pin be treated as a signal input.

Diode D<sub>1</sub> is to protect the device from reverse polarity supply connections and will not be necessary for most designs.

Capacitor C<sub>5</sub> is necessary for best Harmonic Distortion performance. If C<sub>5</sub> is not used increase the values of C<sub>1</sub> and C<sub>3</sub> to .1μF.

R<sub>IN</sub>, R<sub>T</sub> and R<sub>OUT</sub> are all impedance matching resistors. R<sub>IN</sub> and R<sub>OUT</sub> should be equal to the desired input/output impedance. R<sub>T</sub> || R<sub>G</sub> should equal the desired inverting input impedance. Note that with current feedback op amps, the optimum value of R<sub>F</sub> and R<sub>G</sub> is determined by the desired gain

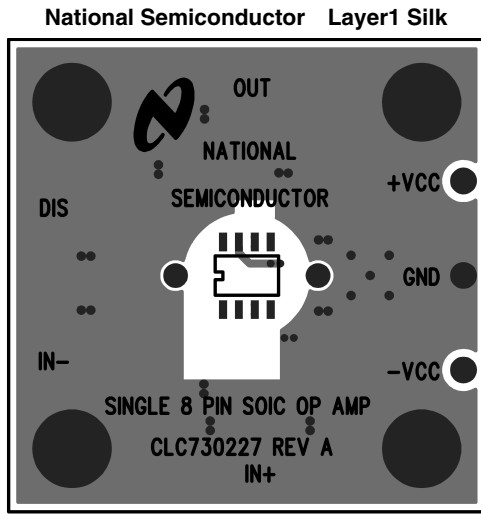
and raising R<sub>G</sub> to obtain higher input impedance may require compromising device performance at large values of inverting gain.

The disable trace has provisions for input termination. There are also pads for series resistance and capacitance for programmable gain parts. See part datasheets for suggested values.

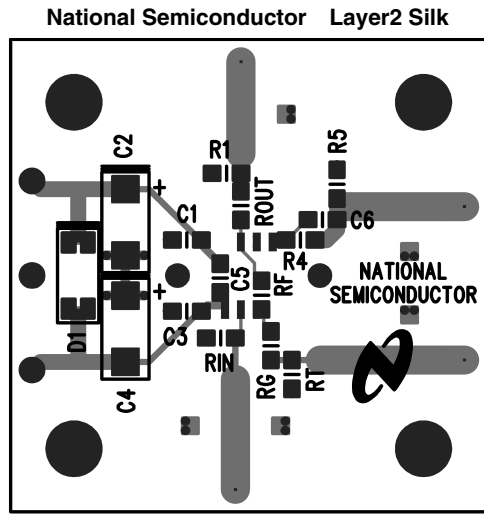
Sample artwork for National's Evaluation boards is included below.

The board is designed for 50Ω input and output connections into coaxial cables. For other impedances the terminating resistors can be modified to help match different impedances.

Do not use normal oscilloscope probes to test these circuits. The capacitive loading will change circuit performance drastically. Instead use low impedance resistive divider probes of 100 to 500Ω. See Figure 3 for a sample resistive probe. The Low impedance resistor should be 50-450Ω. The ground connection should be as short as possible (~1/2"). Even with careful use of these probes results should be considered preliminary until verified with controlled impedance measurements. Even the best probes will interfere with circuit operation to some degree. Also, conductors, fingers etc. near the device will change measurement results.



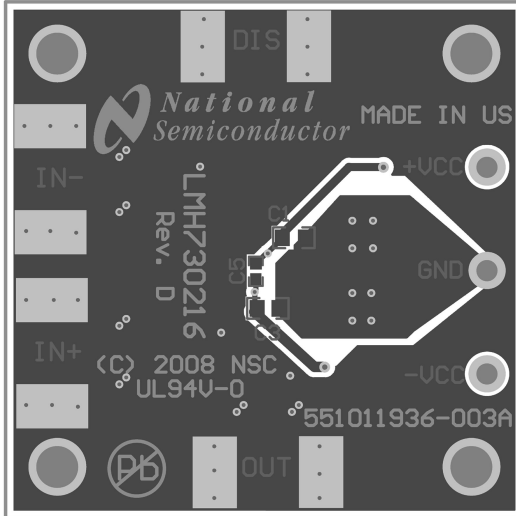
20066604



20066605

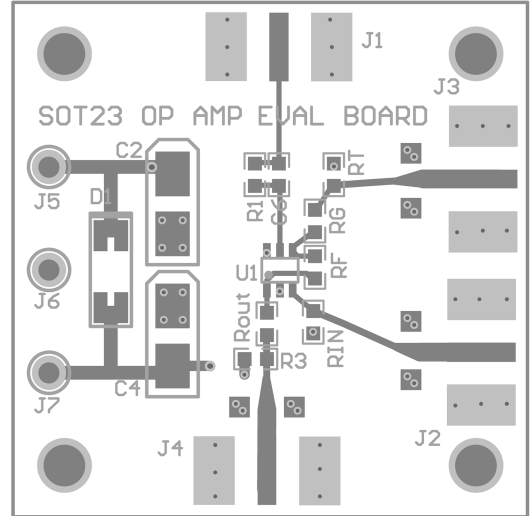
SOIC Board Layout (Actual size = 1.5" x 1.5"). The boards may be marked as CLC730227 or LMH730227

National Semiconductor Layer2 Silk



20066610

National Semiconductor Layer1 Silk

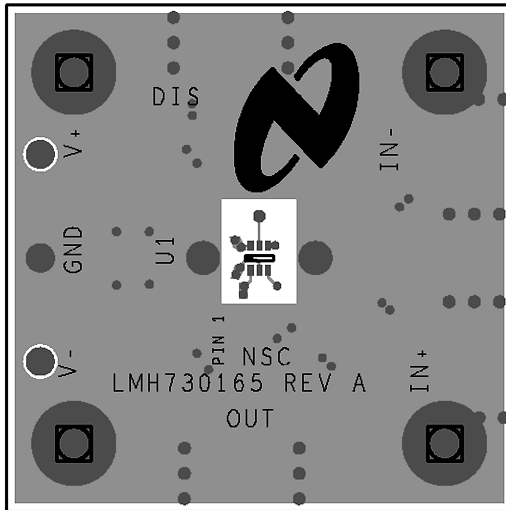


20066611

SOT-23 Board Layout (Actual size = 1.5" x 1.5").

National Semiconductor Layer1 Silk

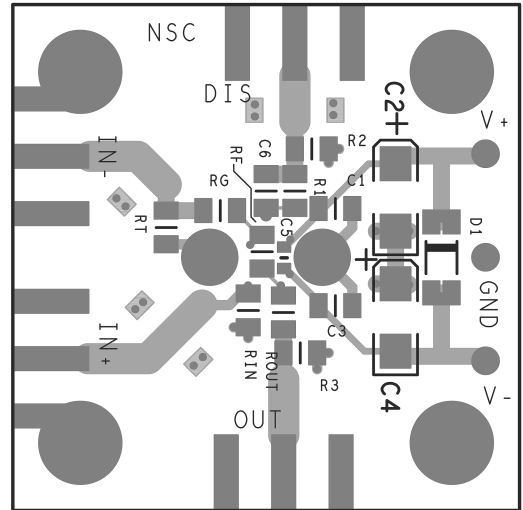
NATIONAL SEMICONDUCTOR LAYER1 SILK



20066608

National Semiconductor Layer2 Silk

NATIONAL SEMICONDUCTOR LAYER2 SILK



20066609

SC-70 Board Layout (Actual size = 1.5" x 1.5")



## Notes

For more National Semiconductor product information and proven design tools, visit the following Web sites at:

Products		Design Support	
Amplifiers	<a href="http://www.national.com/amplifiers">www.national.com/amplifiers</a>	WEBENCH® Tools	<a href="http://www.national.com/webench">www.national.com/webench</a>
Audio	<a href="http://www.national.com/audio">www.national.com/audio</a>	App Notes	<a href="http://www.national.com/appnotes">www.national.com/appnotes</a>
Clock and Timing	<a href="http://www.national.com/timing">www.national.com/timing</a>	Reference Designs	<a href="http://www.national.com/refdesigns">www.national.com/refdesigns</a>
Data Converters	<a href="http://www.national.com/adc">www.national.com/adc</a>	Samples	<a href="http://www.national.com/samples">www.national.com/samples</a>
Interface	<a href="http://www.national.com/interface">www.national.com/interface</a>	Eval Boards	<a href="http://www.national.com/evalboards">www.national.com/evalboards</a>
LVDS	<a href="http://www.national.com/lvds">www.national.com/lvds</a>	Packaging	<a href="http://www.national.com/packaging">www.national.com/packaging</a>
Power Management	<a href="http://www.national.com/power">www.national.com/power</a>	Green Compliance	<a href="http://www.national.com/quality/green">www.national.com/quality/green</a>
Switching Regulators	<a href="http://www.national.com/switchers">www.national.com/switchers</a>	Distributors	<a href="http://www.national.com/contacts">www.national.com/contacts</a>
LDOs	<a href="http://www.national.com/ldo">www.national.com/ldo</a>	Quality and Reliability	<a href="http://www.national.com/quality">www.national.com/quality</a>
LED Lighting	<a href="http://www.national.com/led">www.national.com/led</a>	Feedback/Support	<a href="http://www.national.com/feedback">www.national.com/feedback</a>
Voltage Reference	<a href="http://www.national.com/vref">www.national.com/vref</a>	Design Made Easy	<a href="http://www.national.com/easy">www.national.com/easy</a>
PowerWise® Solutions	<a href="http://www.national.com/powerwise">www.national.com/powerwise</a>	Solutions	<a href="http://www.national.com/solutions">www.national.com/solutions</a>
Serial Digital Interface (SDI)	<a href="http://www.national.com/sdi">www.national.com/sdi</a>	Mil/Aero	<a href="http://www.national.com/milaero">www.national.com/milaero</a>
Temperature Sensors	<a href="http://www.national.com/tempsensors">www.national.com/tempsensors</a>	Solar Magic®	<a href="http://www.national.com/solarmagic">www.national.com/solarmagic</a>
Wireless (PLL/VCO)	<a href="http://www.national.com/wireless">www.national.com/wireless</a>	Analog University®	<a href="http://www.national.com/AU">www.national.com/AU</a>

THE CONTENTS OF THIS DOCUMENT ARE PROVIDED IN CONNECTION WITH NATIONAL SEMICONDUCTOR CORPORATION ("NATIONAL") PRODUCTS. NATIONAL MAKES NO REPRESENTATIONS OR WARRANTIES WITH RESPECT TO THE ACCURACY OR COMPLETENESS OF THE CONTENTS OF THIS PUBLICATION AND RESERVES THE RIGHT TO MAKE CHANGES TO SPECIFICATIONS AND PRODUCT DESCRIPTIONS AT ANY TIME WITHOUT NOTICE. NO LICENSE, WHETHER EXPRESS, IMPLIED, ARISING BY ESTOPPEL OR OTHERWISE, TO ANY INTELLECTUAL PROPERTY RIGHTS IS GRANTED BY THIS DOCUMENT.

TESTING AND OTHER QUALITY CONTROLS ARE USED TO THE EXTENT NATIONAL DEEMS NECESSARY TO SUPPORT NATIONAL'S PRODUCT WARRANTY. EXCEPT WHERE MANDATED BY GOVERNMENT REQUIREMENTS, TESTING OF ALL PARAMETERS OF EACH PRODUCT IS NOT NECESSARILY PERFORMED. NATIONAL ASSUMES NO LIABILITY FOR APPLICATIONS ASSISTANCE OR BUYER PRODUCT DESIGN. BUYERS ARE RESPONSIBLE FOR THEIR PRODUCTS AND APPLICATIONS USING NATIONAL COMPONENTS. PRIOR TO USING OR DISTRIBUTING ANY PRODUCTS THAT INCLUDE NATIONAL COMPONENTS, BUYERS SHOULD PROVIDE ADEQUATE DESIGN, TESTING AND OPERATING SAFEGUARDS.

EXCEPT AS PROVIDED IN NATIONAL'S TERMS AND CONDITIONS OF SALE FOR SUCH PRODUCTS, NATIONAL ASSUMES NO LIABILITY WHATSOEVER, AND NATIONAL DISCLAIMS ANY EXPRESS OR IMPLIED WARRANTY RELATING TO THE SALE AND/OR USE OF NATIONAL PRODUCTS INCLUDING LIABILITY OR WARRANTIES RELATING TO FITNESS FOR A PARTICULAR PURPOSE, MERCHANTABILITY, OR INFRINGEMENT OF ANY PATENT, COPYRIGHT OR OTHER INTELLECTUAL PROPERTY RIGHT.

### LIFE SUPPORT POLICY

**NATIONAL'S PRODUCTS ARE NOT AUTHORIZED FOR USE AS CRITICAL COMPONENTS IN LIFE SUPPORT DEVICES OR SYSTEMS WITHOUT THE EXPRESS PRIOR WRITTEN APPROVAL OF THE CHIEF EXECUTIVE OFFICER AND GENERAL COUNSEL OF NATIONAL SEMICONDUCTOR CORPORATION.** As used herein:

Life support devices or systems are devices which (a) are intended for surgical implant into the body, or (b) support or sustain life and whose failure to perform when properly used in accordance with instructions for use provided in the labeling can be reasonably expected to result in a significant injury to the user. A critical component is any component in a life support device or system whose failure to perform can be reasonably expected to cause the failure of the life support device or system or to affect its safety or effectiveness.

National Semiconductor and the National Semiconductor logo are registered trademarks of National Semiconductor Corporation. All other brand or product names may be trademarks or registered trademarks of their respective holders.

Copyright© 2008 National Semiconductor Corporation

For the most current product information visit us at [www.national.com](http://www.national.com)



**National Semiconductor Americas Technical Support Center**  
 Email: [support@nsc.com](mailto:support@nsc.com)  
 Tel: 1-800-272-9959

**National Semiconductor Europe Technical Support Center**  
 Email: [europe.support@nsc.com](mailto:europe.support@nsc.com)  
 German Tel: +49 (0) 180 5010 771  
 English Tel: +44 (0) 870 850 4288

**National Semiconductor Asia Pacific Technical Support Center**  
 Email: [ap.support@nsc.com](mailto:ap.support@nsc.com)

**National Semiconductor Japan Technical Support Center**  
 Email: [jpn.feedback@nsc.com](mailto:jpn.feedback@nsc.com)