

Low power quad operational amplifier

Features

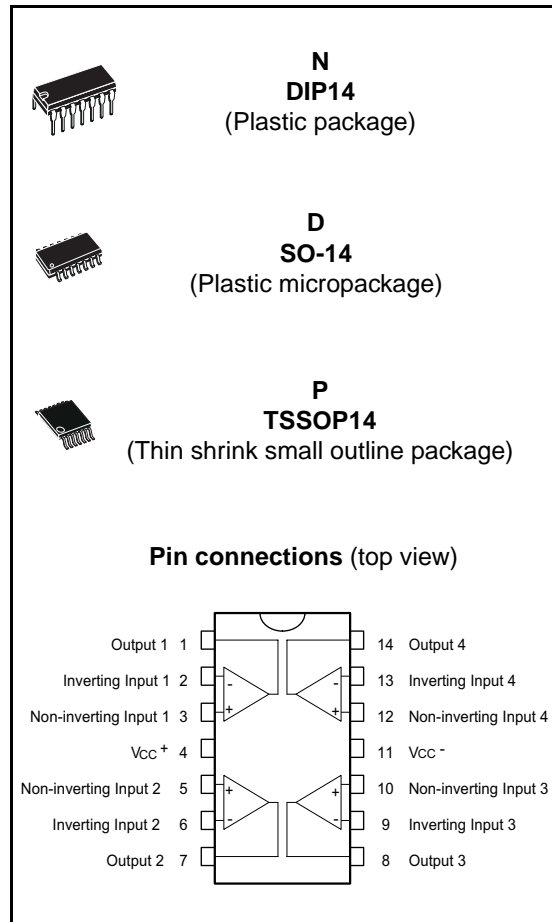
- Wide gain bandwidth: 1.3MHz
- Input common-mode voltage range includes negative rail
- Large voltage gain: 100dB
- Very low supply current per amp: 375 μ A
- Low input bias current: 20nA
- Low input offset current: 2nA
- ESD internal protection: 800V
- Wide power supply range:
- Single supply: +3V to +30V
- Dual supplies: \pm 1.5V to \pm 15V

Description

This circuit consists of four independent, high-gain, internally frequency-compensated operational amplifiers designed especially for automotive and industrial control systems.

It operates from a single power supply over a wide range of voltages. Operation from split power supplies is also possible and the low power supply current drain is independent of the magnitude of the power supply voltage.

All the pins are protected against electrostatic discharges up to 800V.



1 Absolute maximum ratings and operating conditions

Table 1. Absolute maximum ratings

Symbol	Parameter	Value	Unit
V_{CC}	Supply voltage	± 16 to 32	V
V_{id}	Differential input voltage	+32	V
V_i	Input voltage	-0.3 to $V_{CC}^+ + 0.3$	V
	Output short-circuit to ground ⁽¹⁾	Infinite	
I_{in}	Input current ⁽²⁾	50	mA
T_{stg}	Storage temperature range	-65 to +150	°C
R_{thja}	Thermal resistance junction to ambient ⁽³⁾		
	SO-14	105	°C/W
	TSSOP14	100	
R_{thjc}	Thermal resistance junction to case ⁽³⁾		
	SO-14	31	°C/W
	TSSOP14	32	
ESD	HBM: human body model ⁽⁴⁾	800	V
	MM: machine model ⁽⁵⁾	100	V
	CDM: charged device model ⁽⁶⁾	1500	V

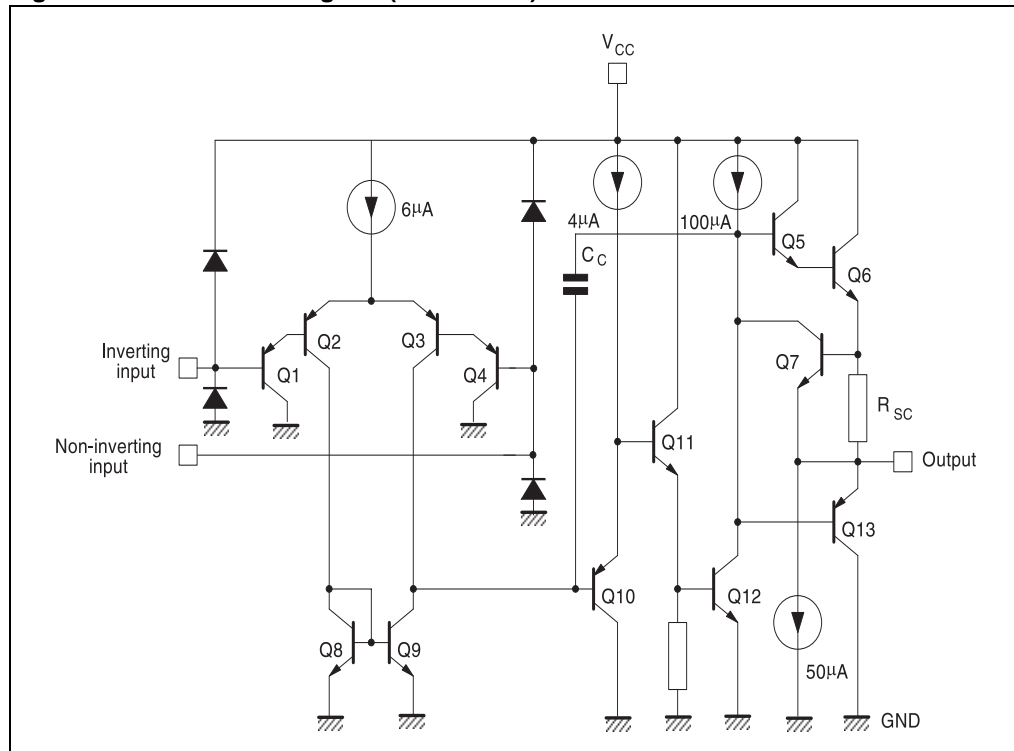
- Short-circuits from the output to V_{CC}^+ can cause excessive heating and potential destruction. The maximum output current is approximately 20mA, independent of the magnitude of V_{CC}^+ .
- This input current only exists when the voltage at any of the input leads is driven negative. It is due to the collector-base junction of the input PNP transistor becoming forward biased and thereby acting as input diode clamps. In addition to this diode action, there is also NPN parasitic action on the IC chip. This transistor action can cause the output voltages of the op-amps to go to the V_{CC} voltage level (or to ground for a large overdrive) for the time during which an input is driven negative. This is not destructive and normal output is restored for input voltages higher than -0.3V.
- $R_{thja/c}$ are typical values.
- Human body model: A 100pF capacitor is charged to the specified voltage, then discharged through a 1.5k Ω resistor between two pins of the device. This is done for all couples of connected pin combinations while the other pins are floating.
- Machine model: A 200pF capacitor is charged to the specified voltage, then discharged directly between two pins of the device with no external series resistor (internal resistor < 5 Ω). This is done for all couples of connected pin combinations while the other pins are floating.
- Charged device model: all pins and the package are charged together to the specified voltage and then discharged directly to the ground through only one pin. This is done for all pins.

Table 2. Operating conditions

Symbol	Parameter	Value	Unit
V_{CC}	Supply voltage	3 to 30	V
V_{icm}	Common mode input voltage range $T_{min} \leq T_{amb} \leq T_{max}$	V_{CC}^- to $V_{CC}^+ - 1.5$ V_{CC}^- to $V_{CC}^+ - 2$	V
T_{oper}	Operating free-air temperature range	-40 to +125	°C

2 Circuit schematics

Figure 1. Schematic diagram (1/4 LM2902)



3 Electrical characteristics

Table 3. $V_{CC^+} = 5V$, $V_{CC^-} = \text{Ground}$, $V_O = 1.4V$, $T_{amb} = 25^\circ\text{C}$ (unless otherwise stated)

Symbol	Parameter	Test conditions	Min.	Typ.	Max.	Unit
V_{i_o}	Input offset voltage ⁽¹⁾	$T_{amb} = +25^\circ\text{C}$		2	7	mV
		$T_{min} \leq T_{amb} \leq T_{max}$			9	
DV_{i_o}	Input offset voltage drift			7	30	$\mu\text{V}/^\circ\text{C}$
I_{i_o}	Input offset current	$T_{amb} = +25^\circ\text{C}$		2	30	nA
		$T_{min} \leq T_{amb} \leq T_{max}$			40	
DI_{i_o}	Input offset current drift			10	200	$\text{pA}/^\circ\text{C}$
I_{ib}	Input bias current ⁽²⁾	$T_{amb} = +25^\circ\text{C}$		20	150	nA
		$T_{min} \leq T_{amb} \leq T_{max}$			300	
A_{vd}	Large signal voltage gain	$V_{CC^+} = +15V$, $R_L = 2k\Omega$, $V_O = 1.4V$ to $11.4V$, $T_{amb} = +25^\circ\text{C}$	50	100		V/mV
		$V_{CC^+} = +15V$, $R_L = 2k\Omega$, $V_O = 1.4V$ to $11.4V$, $T_{min} \leq T_{amb} \leq T_{max}$	25			
SVR	Supply voltage rejection ratio	$R_S \leq 10k\Omega$, $T_{amb} = +25^\circ\text{C}$	65	110		dB
		$R_S \leq 10k\Omega$, $T_{min} \leq T_{amb} \leq T_{max}$	65			
I_{CC}	Supply current (all op-amps, no load)	$T_{amb} = +25^\circ\text{C}$, $V_{CC^+} = +5V$		0.7	1.2	mA
		$T_{amb} = +25^\circ\text{C}$, $V_{CC^+} = +30V$		1.5	3	
		$T_{min} \leq T_{amb} \leq T_{max}$, $V_{CC^+} = +5V$		0.9	1.2	
		$T_{min} \leq T_{amb} \leq T_{max}$, $V_{CC^+} = +30V$		1.5	3	
CMR	Common-mode rejection ratio	$R_S \leq 10k\Omega$, $T_{amb} = +25^\circ\text{C}$	70	80		dB
		$R_S \leq 10k\Omega$, $T_{min} \leq T_{amb} \leq T_{max}$	60			
I_o	Output short-circuit current	$V_{id} = +1V$, $V_{CC^+} = +15V$, $V_O = +2V$	20	40	70	mA
I_{sink}	Output sink current	$V_{id} = -1V$, $V_{CC^+} = +15V$, $V_O = +2V$	10	20		mA
		$V_{id} = -1V$, $V_{CC^+} = +15V$, $V_O = +0.2V$	12	50		μA
V_{OH}	High level output voltage	$V_{CC^+} = 30V$, $R_L = 2k\Omega$ $T_{amb} = +25^\circ\text{C}$ $T_{min} \leq T_{amb} \leq T_{max}$	26 26	27		V
		$V_{CC^+} = 30V$, $R_L = 10k\Omega$ $T_{amb} = +25^\circ\text{C}$, $T_{min} \leq T_{amb} \leq T_{max}$	27 27	28		
		$V_{CC^+} = 5V$, $R_L = 2k\Omega$ $T_{min} \leq T_{amb} \leq T_{max}$ $T_{amb} = +25^\circ\text{C}$	3.5 3			
V_{OL}	Low level output voltage	$R_L = 10k\Omega$, $T_{amb} = +25^\circ\text{C}$		5	20	mV
		$R_L = 10k\Omega$, $T_{min} \leq T_{amb} \leq T_{max}$			20	

Table 3. $V_{CC+} = 5V$, $V_{CC-} = \text{Ground}$, $V_O = 1.4V$, $T_{\text{amb}} = 25^\circ\text{C}$ (unless otherwise stated) (continued)

Symbol	Parameter	Test conditions	Min.	Typ.	Max.	Unit
SR	Slew rate	$V_{CC+} = 15V$, $V_{in} = 0.5$ to $3V$, $R_L = 2k\Omega$, $C_L = 100pF$, unity gain $T_{min} < T_{op} < T_{max}$	0.24 0.14	0.4		V/ μ s
GBP	Gain bandwidth product	$V_{CC+} = 30V$, $V_{in} = 10mV$, $R_L = 2k\Omega$, $C_L = 100pF$		1.3		MHz
THD	Total harmonic distortion	$f = 1kHz$, $A_V = 20dB$, $R_L = 2k\Omega$, $V_o = 2V_{pp}$, $C_L = 100pF$, $V_{CC+} = 30V$		0.015		%
e_n	Equivalent input noise voltage	$f = 1kHz$, $R_S = 100\Omega$, $V_{CC+} = 30V$		40		nV/ $\sqrt{\text{Hz}}$
V_{O1}/V_{O2}	Channel separation ⁽³⁾	$1kHz \leq f \leq 20kHz$		120		dB

1. $V_O = 1.4V$, $R_S = 0\Omega$, $5V < V_{CC+} < 30V$, $0V < V_{ic} < V_{CC+} - 1.5V$.

2. The direction of the input current is out of the IC. This current is essentially constant, independent of the state of the output, so there is no change in the load on the input lines.

3. Due to the proximity of external components ensure that stray capacitance does not cause coupling between these external parts. This typically can be detected as this type of capacitance increases at higher frequencies.

Figure 2. Input bias current vs. T_{amb}

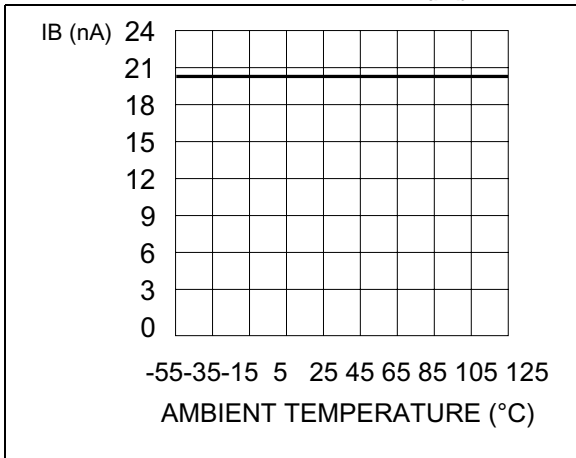


Figure 3. Input voltage range

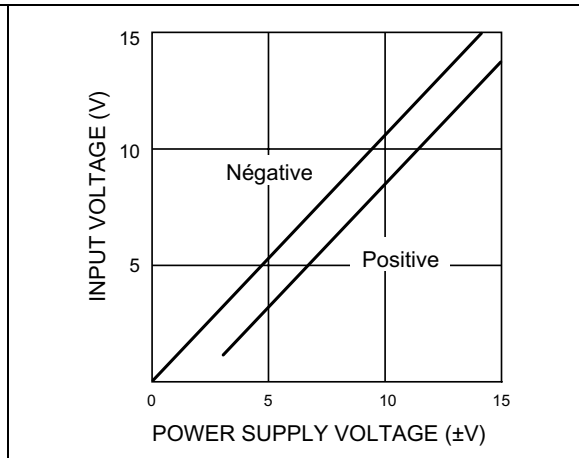


Figure 4. Current limiting

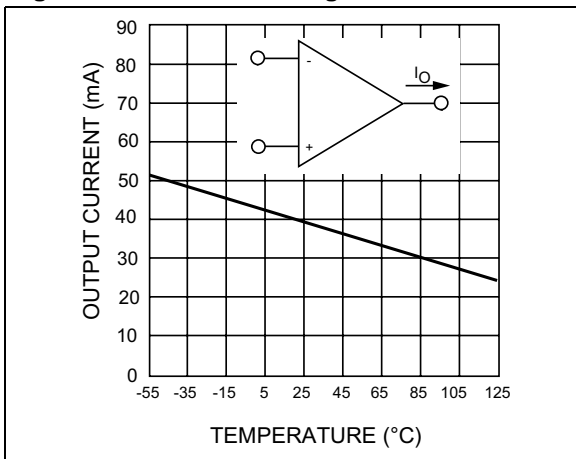


Figure 5. Supply current

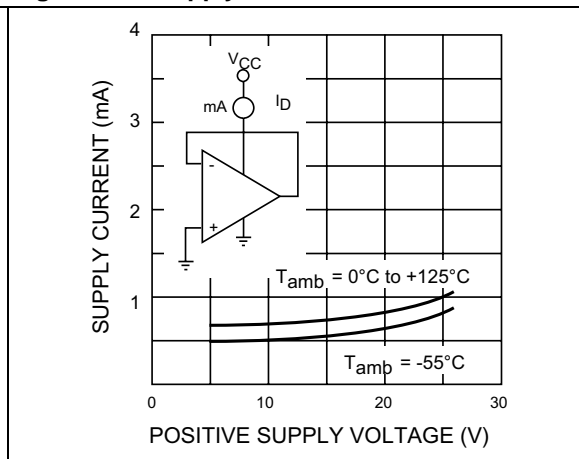


Figure 6. Gain bandwidth product

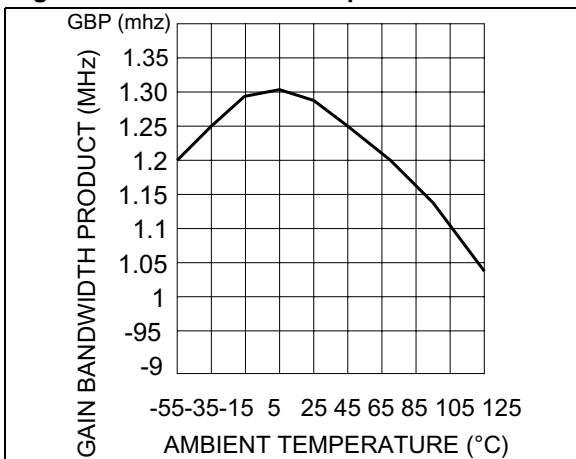


Figure 7. Voltage follower pulse response

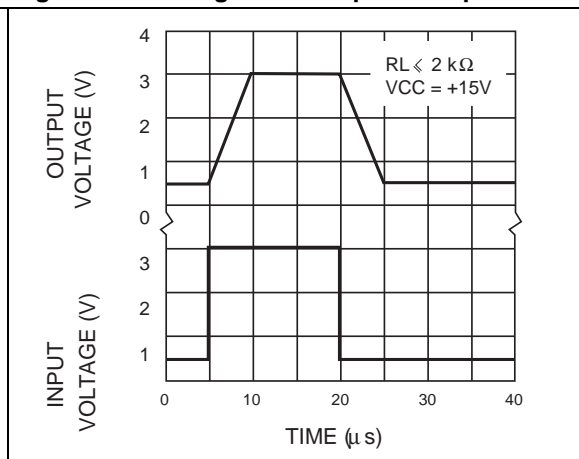


Figure 8. Common mode rejection ratio

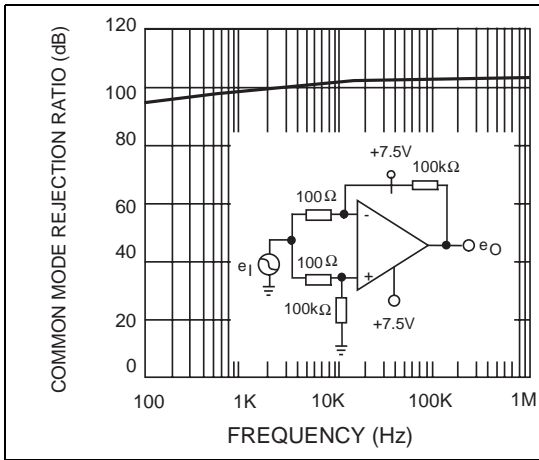


Figure 9. Output characteristics

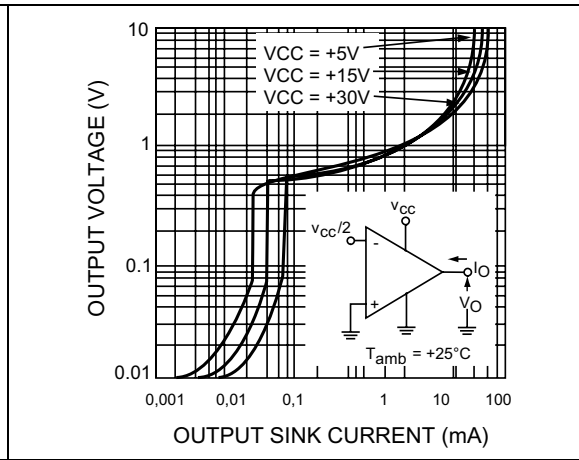


Figure 10. Open loop frequency response

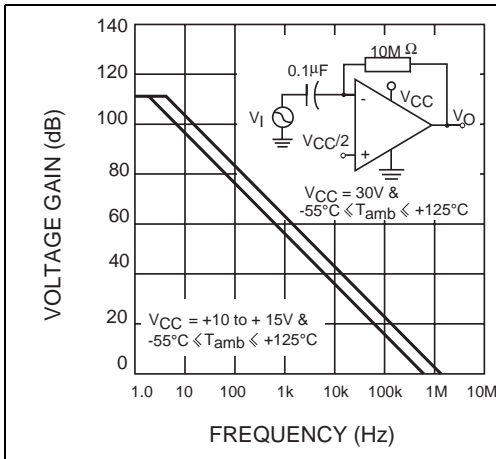


Figure 11. Voltage follower pulse response

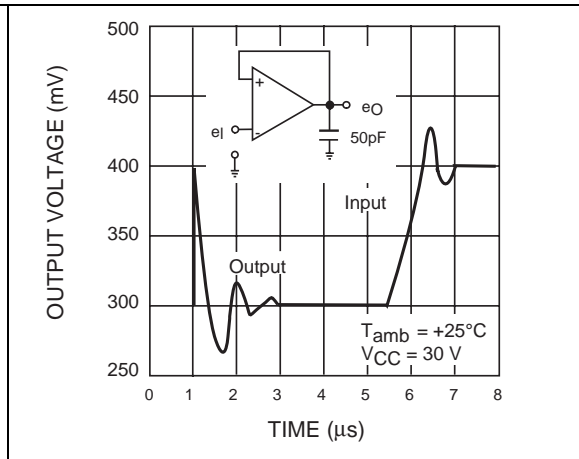


Figure 12. Large signal frequency response

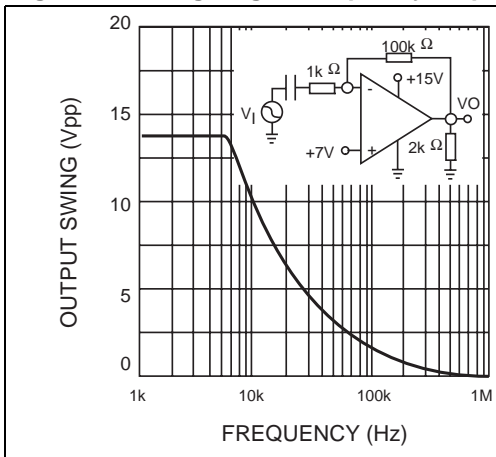


Figure 13. Output characteristics

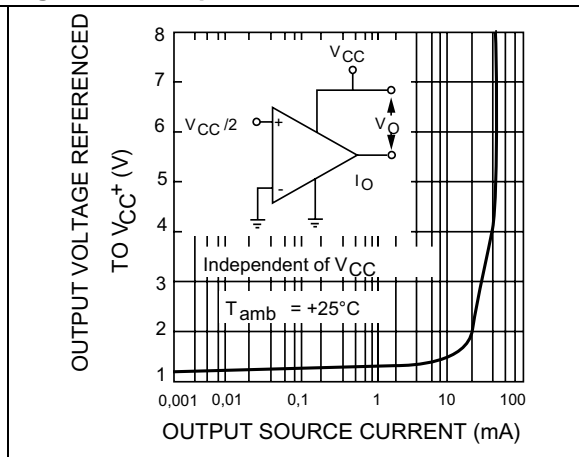


Figure 14. Input current

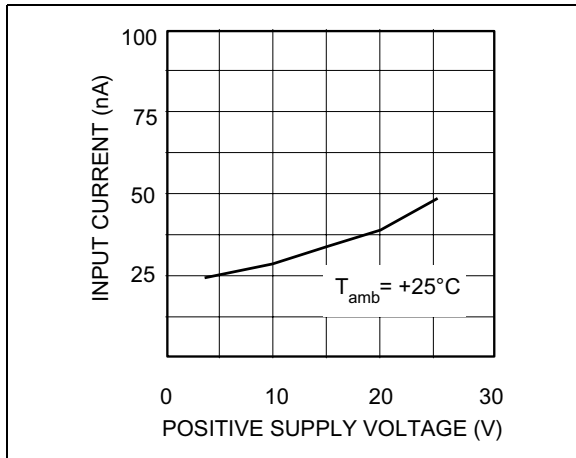


Figure 15. Voltage gain

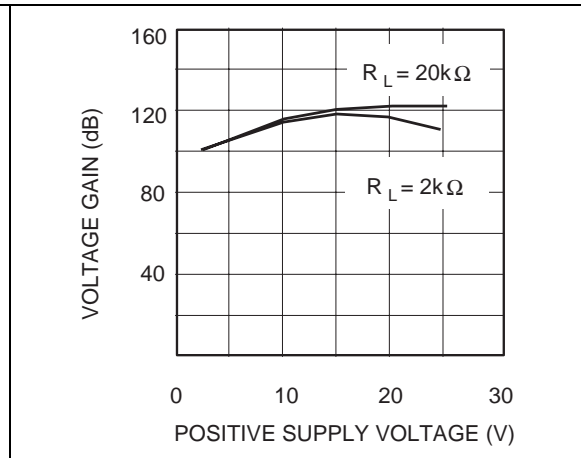


Figure 16. Power supply and common mode rejection ratio

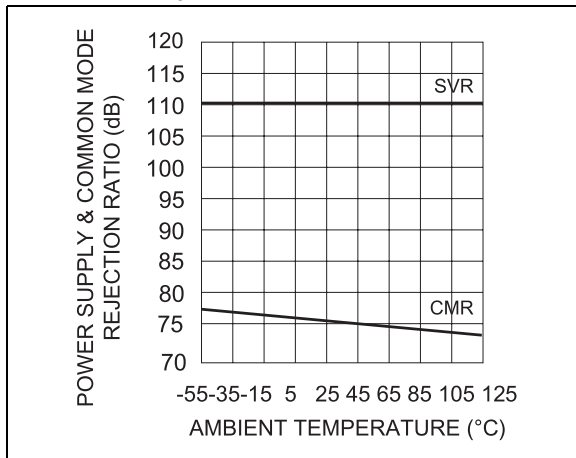
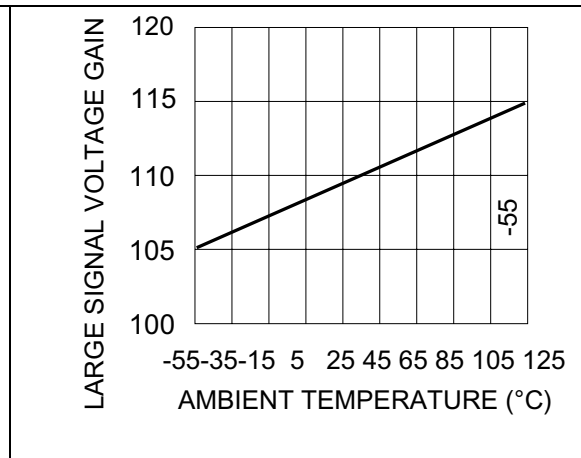


Figure 17. Large signal voltage gain



4 Typical single-supply applications

Figure 18. AC coupled inverting amplifier

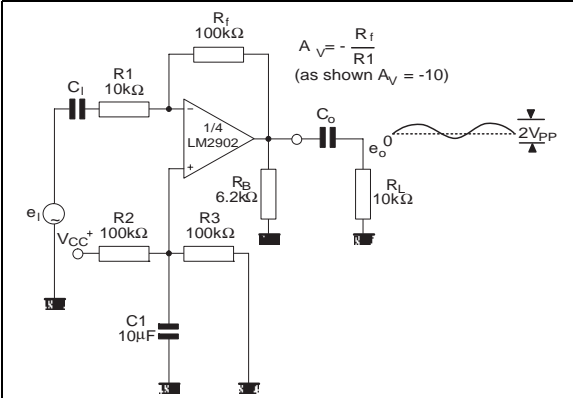


Figure 19. AC coupled non-inverting amplifier

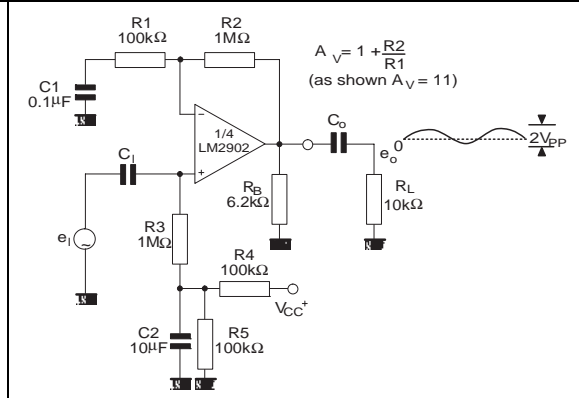


Figure 20. Non-inverting DC gain

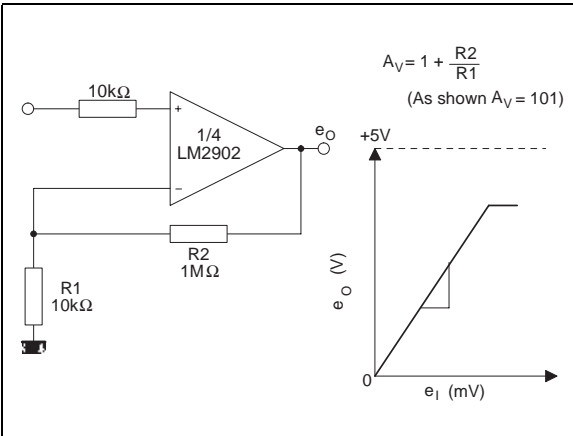


Figure 21. DC summing amplifier

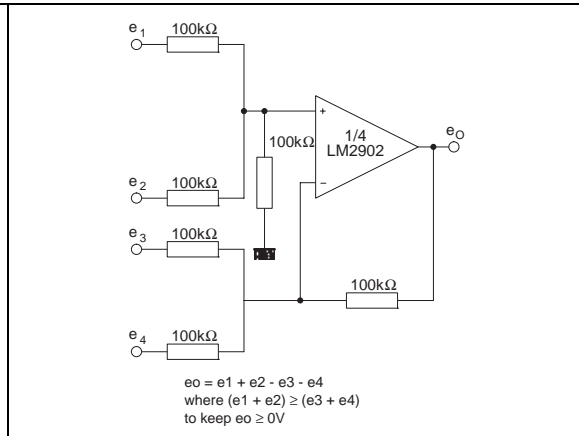


Figure 22. Active bandpass filter

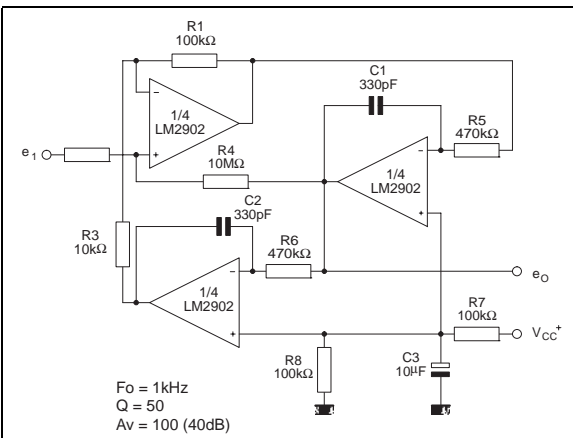


Figure 23. High input Z adjustable gain DC instrumentation amplifier

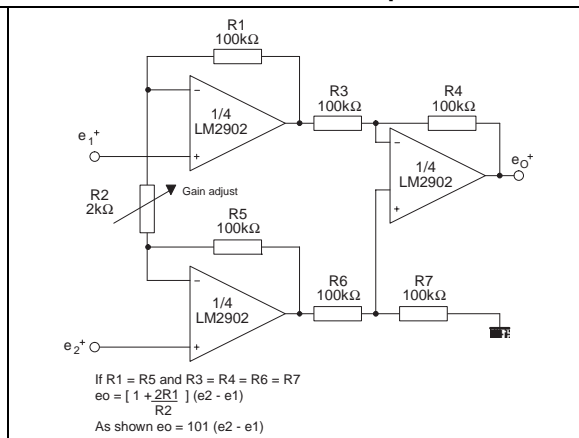


Figure 24. High input Z, DC differential amplifier

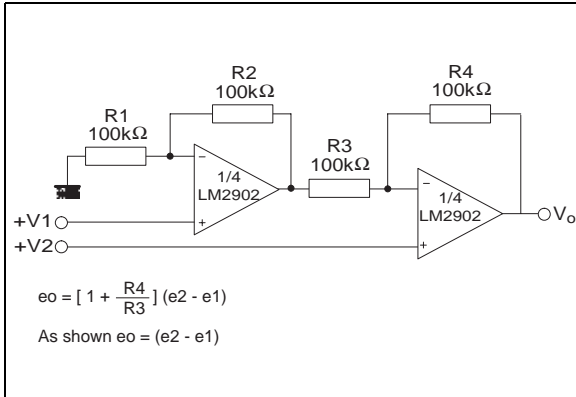


Figure 25. Low drift peak detector

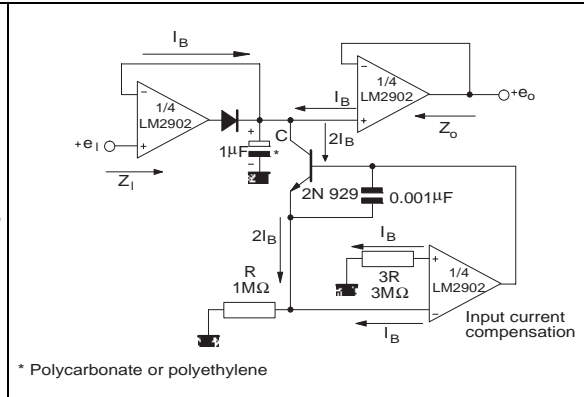
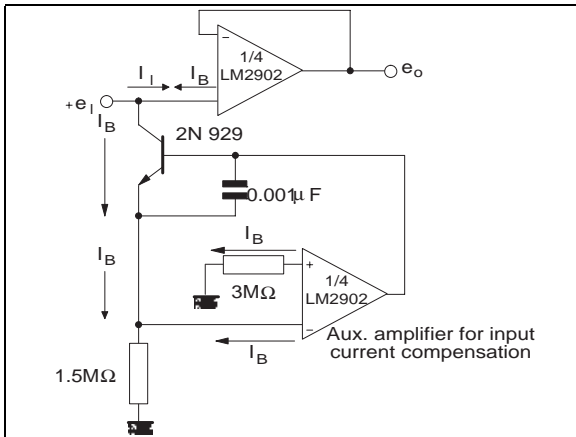


Figure 26. Using symmetrical amplifiers to reduce input current (general concept)



5 Macromodel

5.1 Important note concerning this macromodel

Please consider the following remarks before using this macromodel.

- All models are a trade-off between accuracy and complexity (i.e. simulation time).
- Macromodels are not a substitute to breadboarding; rather, they confirm the validity of a design approach and help to select surrounding component values.
- A macromodel emulates the **nominal** performance of a **typical** device within **specified operating conditions** (temperature, supply voltage, for example). Thus the macromodel is often not as exhaustive as the datasheet, its purpose is to illustrate the main parameters of the product.

Data derived from macromodels used outside of the specified conditions (V_{CC} , temperature, for example) or even worse, outside of the device operating conditions (V_{CC} , V_{icm} , for example), is not reliable in any way.

5.2 Macromodel code

```
** Standard Linear Ics Macromodels, 1993.
** ESD diodes added to the initial macromodel (2007).
** CONNECTIONS :
* 1 INVERTING INPUT
* 2 NON-INVERTING INPUT
* 3 OUTPUT
* 4 POSITIVE POWER SUPPLY
* 5 NEGATIVE POWER SUPPLY
.SUBCKT LM2902W 1 2 3 4 5
*****
.MODEL MDTH D IS=1E-8 KF=3.104131E-15 CJO=10F
D1A 1 4 MDTH 400E-12
D1B 5 1 MDTH 400E-12
D2A 2 4 MDTH 400E-12
D2B 5 2 MDTH 400E-12
* INPUT STAGE
CIP 2 5 1.000000E-12
CIN 1 5 1.000000E-12
EIP 10 5 2 5 1
EIN 16 5 1 5 1
RIP 10 11 2.600000E+01
RIN 15 16 2.600000E+01
RIS 11 15 2.003862E+02
DIP 11 12 MDTH 400E-12
DIN 15 14 MDTH 400E-12
VOFP 12 13 DC 0
VOFN 13 14 DC 0
IPOL 13 5 1.000000E-05
CPS 11 15 3.783376E-09
DINN 17 13 MDTH 400E-12
VIN 17 5 0.000000e+00
```

```
DINR 15 18 MDTH 400E-12
VIP 4 18 2.000000E+00
FCP 4 5 VOFP 3.400000E+01
FCN 5 4 VOFN 3.400000E+01
FIBP 2 5 VOFN 2.000000E-03
FIBN 5 1 VOFP 2.000000E-03
* AMPLIFYING STAGE
FIP 5 19 VOFP 3.600000E+02
FIN 5 19 VOFN 3.600000E+02
RG1 19 5 3.652997E+06
RG2 19 4 3.652997E+06
CC 19 5 6.000000E-09
DOPM 19 22 MDTH 400E-12
DONM 21 19 MDTH 400E-12
HOPM 22 28 VOUT 7.500000E+03
VIPM 28 4 1.500000E+02
HONM 21 27 VOUT 7.500000E+03
VINM 5 27 1.500000E+02
EOUT 26 23 19 5 1
VOUT 23 5 0
ROUT 26 3 20
COUT 3 5 1.000000E-12
DOP 19 25 MDTH 400E-12
VOP 4 25 2.242230E+00
DON 24 19 MDTH 400E-12
VON 24 5 7.922301E-01
.ENDS
```

6 Package information

In order to meet environmental requirements, STMicroelectronics offers these devices in ECOPACK[®] packages. These packages have a lead-free second level interconnect. The category of second level interconnect is marked on the package and on the inner box label, in compliance with JEDEC Standard JESD97. The maximum ratings related to soldering conditions are also marked on the inner box label. ECOPACK is an STMicroelectronics trademark. ECOPACK specifications are available at: www.st.com.

6.1 DIP14 package information

Figure 27. DIP14 package mechanical drawing

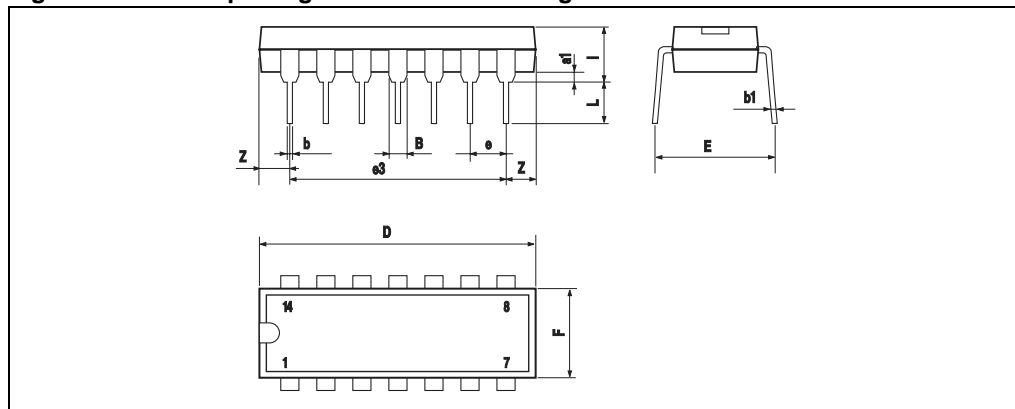


Table 4. DIP14 package mechanical data

Ref.	Dimensions					
	Millimeters			Inches		
	Min.	Typ.	Max.	Min.	Typ.	Max.
a1	0.51			0.020		
B	1.39		1.65	0.055		0.065
b		0.5			0.020	
b1		0.25			0.010	
D			20			0.787
E		8.5			0.335	
e		2.54			0.100	
e3		15.24			0.600	
F			7.1			0.280
I			5.1			0.201
L		3.3			0.130	
Z	1.27		2.54	0.050		0.100

6.2 SO-14 package information

Figure 28. SO-14 package mechanical drawing

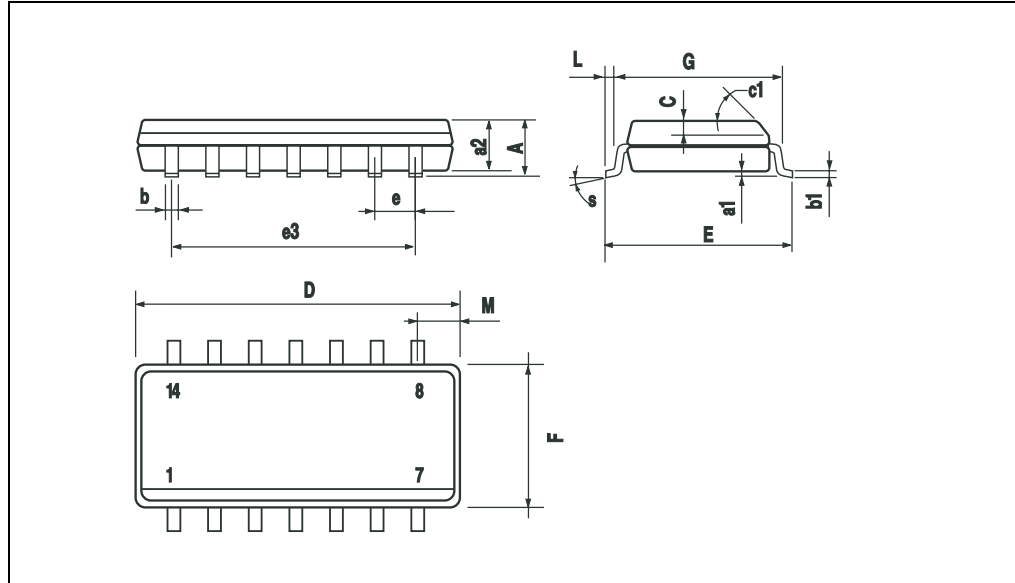


Table 5. SO-14 package mechanical data

Ref.	Dimensions					
	Millimeters			Inches		
	Min.	Typ.	Max.	Min.	Typ.	Max.
A			1.75			0.068
a1	0.1		0.2	0.003		0.007
a2			1.65			0.064
b	0.35		0.46	0.013		0.018
b1	0.19		0.25	0.007		0.010
C		0.5			0.019	
c1	45° (typ.)					
D	8.55		8.75	0.336		0.344
E	5.8		6.2	0.228		0.244
e		1.27			0.050	
e3		7.62			0.300	
F	3.8		4.0	0.149		0.157
G	4.6		5.3	0.181		0.208
L	0.5		1.27	0.019		0.050
M			0.68			0.026
S	8° (max.)					

6.3 TSSOP14 package information

Figure 29. TSSOP14 package mechanical drawing

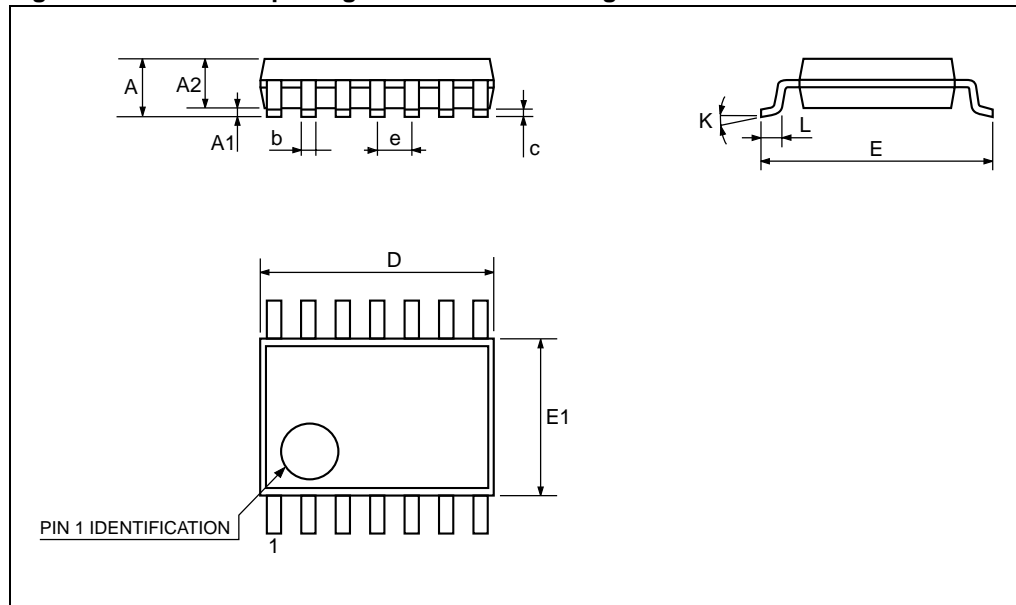


Table 6. TSSOP14 package mechanical data

Ref.	Dimensions					
	Millimeters			Inches		
	Min.	Typ.	Max.	Min.	Typ.	Max.
A			1.2			0.047
A1	0.05		0.15	0.002	0.004	0.006
A2	0.8	1	1.05	0.031	0.039	0.041
b	0.19		0.30	0.007		0.012
c	0.09		0.20	0.004		0.0089
D	4.9	5	5.1	0.193	0.197	0.201
E	6.2	6.4	6.6	0.244	0.252	0.260
E1	4.3	4.4	4.48	0.169	0.173	0.176
e		0.65 BSC			0.0256 BSC	
K	0°		8°	0°		8°
L1	0.45	0.60	0.75	0.018	0.024	0.030

7 Ordering information

Table 7. Order codes

Order code	Temperature range	Package	Packing	Marking
LM2902WN	-40°C to +125°C	DIP14	Tube	2902W
LM2902WD/DT		SO-14	Tube or tape & reel	2902W
LM2902WYD/DT ⁽¹⁾		SO-14 (Automotive grade level)		2902WY
LM2902WPT		TSSOP14	Tape & reel	2902W
LM2902WYPT ⁽²⁾		TSSOP14 (Automotive grade level)		2902WY

1. Qualified and characterized according to AEC Q100 and Q003 or equivalent, advanced screening according to AEC Q001 & Q 002 or equivalent.
2. Qualification and characterization according to AEC Q100 and Q003 or equivalent, advanced screening according to AEC Q001 & Q 002 or equivalent are on-going.

8 Revision history

Table 8. Document revision history

Date	Revision	Changes
1-Sep-2003	1	Initial release.
1-Nov-2005	2	Table data reformatted for easier use in Electrical characteristics on page 4 . Minor grammatical and formatting changes throughout.
1-Jan-2006	3	LM2902WYPT PPAP reference inserted in order codes table, see Section 7 on page 16 .
1-May-2006	4	Minimum value of slew rate at 25°C and on full temperature range added in Table 3 on page 4 .
20-Jul-2007	5	Corrected document title to "quad operational amplifier". Corrected ESD value for HBM to 800V. Corrected thermal resistance junction to ambient values in Table 1: Absolute maximum ratings . Updated electrical characteristics curves. Added Section 5: Macromodel . Added automotive grade order codes in Section 7 on page 16 .
15-Jan-2008	6	Corrected footnotes for automotive grade order codes.

Please Read Carefully:

Information in this document is provided solely in connection with ST products. STMicroelectronics NV and its subsidiaries ("ST") reserve the right to make changes, corrections, modifications or improvements, to this document, and the products and services described herein at any time, without notice.

All ST products are sold pursuant to ST's terms and conditions of sale.

Purchasers are solely responsible for the choice, selection and use of the ST products and services described herein, and ST assumes no liability whatsoever relating to the choice, selection or use of the ST products and services described herein.

No license, express or implied, by estoppel or otherwise, to any intellectual property rights is granted under this document. If any part of this document refers to any third party products or services it shall not be deemed a license grant by ST for the use of such third party products or services, or any intellectual property contained therein or considered as a warranty covering the use in any manner whatsoever of such third party products or services or any intellectual property contained therein.

UNLESS OTHERWISE SET FORTH IN ST'S TERMS AND CONDITIONS OF SALE ST DISCLAIMS ANY EXPRESS OR IMPLIED WARRANTY WITH RESPECT TO THE USE AND/OR SALE OF ST PRODUCTS INCLUDING WITHOUT LIMITATION IMPLIED WARRANTIES OF MERCHANTABILITY, FITNESS FOR A PARTICULAR PURPOSE (AND THEIR EQUIVALENTS UNDER THE LAWS OF ANY JURISDICTION), OR INFRINGEMENT OF ANY PATENT, COPYRIGHT OR OTHER INTELLECTUAL PROPERTY RIGHT.

UNLESS EXPRESSLY APPROVED IN WRITING BY AN AUTHORIZED ST REPRESENTATIVE, ST PRODUCTS ARE NOT RECOMMENDED, AUTHORIZED OR WARRANTED FOR USE IN MILITARY, AIR CRAFT, SPACE, LIFE SAVING, OR LIFE SUSTAINING APPLICATIONS, NOR IN PRODUCTS OR SYSTEMS WHERE FAILURE OR MALFUNCTION MAY RESULT IN PERSONAL INJURY, DEATH, OR SEVERE PROPERTY OR ENVIRONMENTAL DAMAGE. ST PRODUCTS WHICH ARE NOT SPECIFIED AS "AUTOMOTIVE GRADE" MAY ONLY BE USED IN AUTOMOTIVE APPLICATIONS AT USER'S OWN RISK.

Resale of ST products with provisions different from the statements and/or technical features set forth in this document shall immediately void any warranty granted by ST for the ST product or service described herein and shall not create or extend in any manner whatsoever, any liability of ST.

ST and the ST logo are trademarks or registered trademarks of ST in various countries.

Information in this document supersedes and replaces all information previously supplied.

The ST logo is a registered trademark of STMicroelectronics. All other names are the property of their respective owners.

© 2008 STMicroelectronics - All rights reserved

STMicroelectronics group of companies

Australia - Belgium - Brazil - Canada - China - Czech Republic - Finland - France - Germany - Hong Kong - India - Israel - Italy - Japan - Malaysia - Malta - Morocco - Singapore - Spain - Sweden - Switzerland - United Kingdom - United States of America

www.st.com

