

# M62498AFP

## DIGITAL SOUND CONTROLLER WITH SURROUND

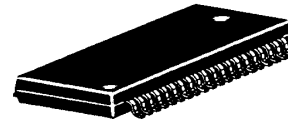
### DESCRIPTION

The M62498AFP is an optimum digital sound controller IC for home audio. It has a 5ch input selector, input volume, surround(3 variation), tone control(3 band), loudness and 2ch master volume. It can control all of these functions with serial data.

### FEATURES

- Built-in 5ch input selector.
- Built-in input volume (2dB step/3bit)
- IC for Dolby-pro-logic Interface
- Built-in Surround (ON/OFF, High/Middle/Low(3 variation))
- Tone control (Bass/Mid/Treble)
- Built-in Loudness.
- Main Volume (36 step (0 to -80dB, -∞))
- Microcomputer Interface

### PACKAGE

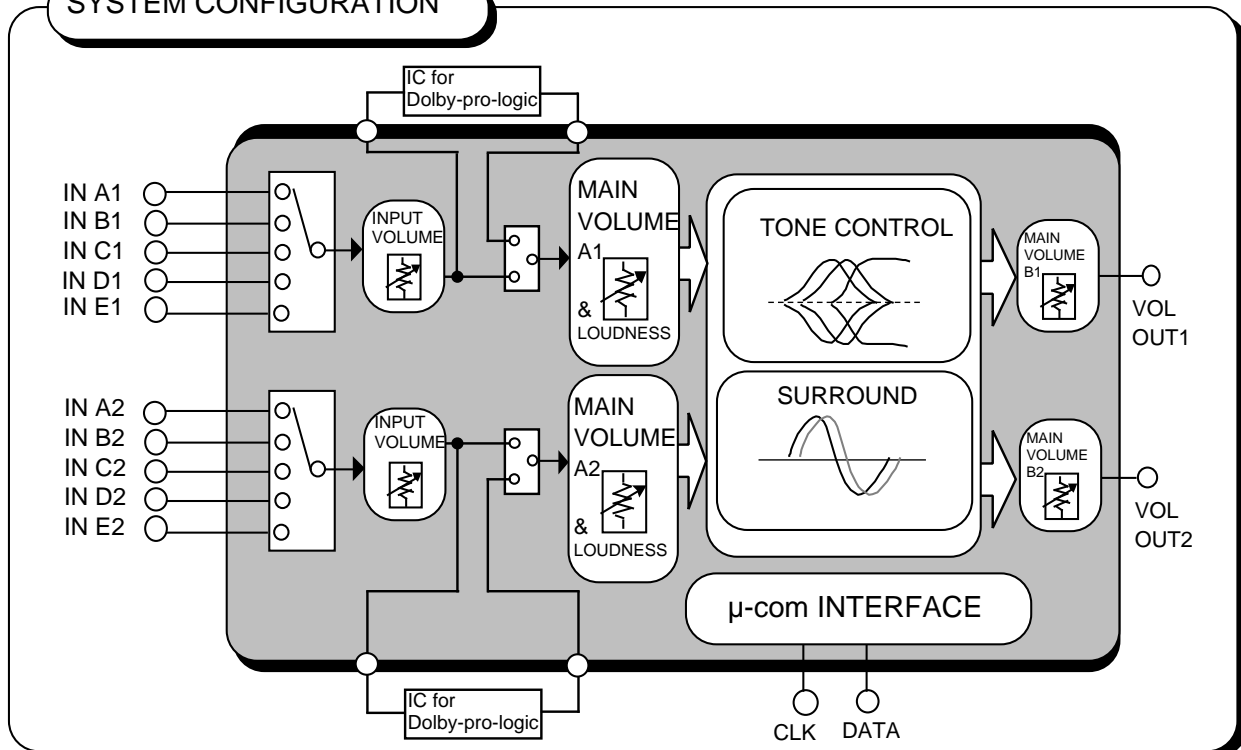


Outline 42P2R-A  
0.8mm Pitch 450mil SSOP  
(8.4mm x 17.5mm x 2.0mm)

### RECOMMENDED OPERATING CONDITIONS

Supply voltage range ....Vcc= 4.5~5.5    Rated supply voltage.....Vcc=5V

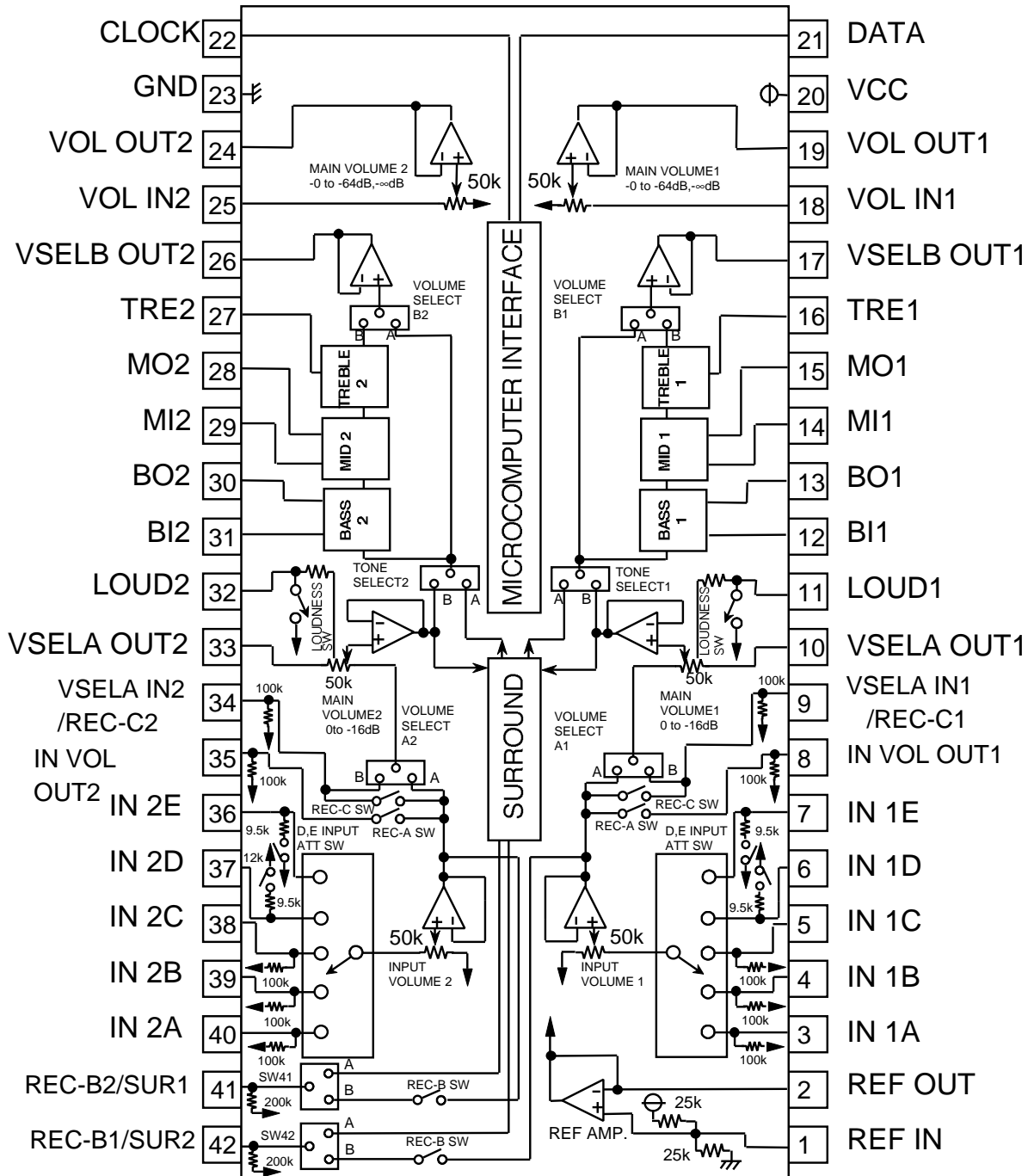
### SYSTEM CONFIGURATION



# M62498AFP

## DIGITAL SOUND CONTROLLER WITH SURROUND

### PIN CONFIGURATION AND IC INTERNAL BLOCK DIAGRAM



**M62498AFP**

## DIGITAL SOUND CONTROLLER WITH SURROUND

**PIN DESCRIPTION**

Pin No.	Symbol	Function
1	REF IN	Input pin of the reference Amp.
2	REF OUT	Output pin oh the reference Amp.
3,4,5,6,7, 36,37,38,39,40	IN 1A,1B,1C,1D,1E 2A,2B,2C,2D,2E	Input pin of the input selector Ch1 and Ch2
8,35	INVOL OUT1,2	Output pin of the input volume 1 and 2
9,34	VSELA IN1,2/REC-C1,2	Input pin of the volume input selector A1 and A2 /Output pin of the REC-C1 and 2
10,33	VSELA OUT1,2	Capacitor connection pin for the volume changing noise reduction
11,32	LOUD1,2	Frequency characteristic setting pin in the loudness part
12,31	BI1,2	Frequency characteristic setting pin in the tone control(Bass).
13,30	BO1,2	
14,29	MI1,2	Frequency characteristic setting pin in the tone control(Mid).
15,28	MO1,2	
16,27	TRE1,2	Frequency characteristic setting pin in the tone control(Treble).
17,26	VSELB OUT1,2	Output pin of the volume input selector B1 and 2
18,25	VOL IN1,2	Input pin of the main volume
19,24	VOL OUT1,2	Output pin of the main volume
20	VCC	The power supply
21	DATA	Input pin of the serial data
22	CLOCK	Clock input pin for the serial data forwarding
23	GND	GND
41	REC-B2/SUR1	Output pin of the REC-B2/Device connection pin for the surround external parts
42	REC-B1/SUR2	Output pin of the REC-B1/Device connection pin for the surround external parts

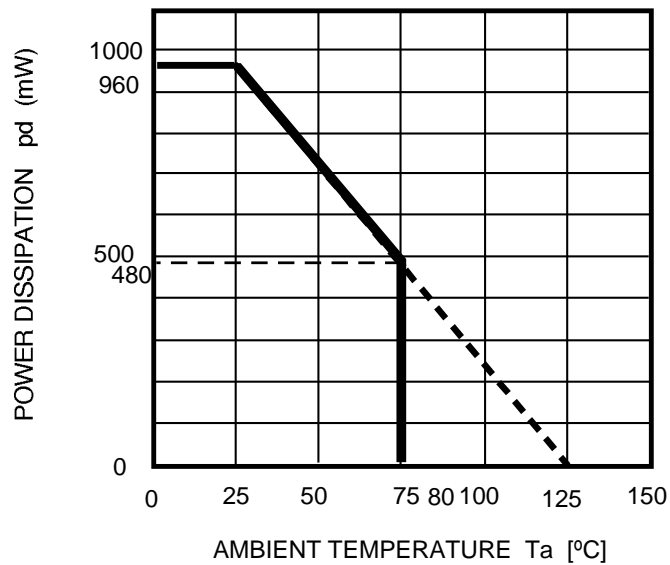
# M62498AFP

## DIGITAL SOUND CONTROLLER WITH SURROUND

### ABSOLUTE MAXIMUM RATINGS

Symbol	Parameter	Conditions	Limits	Units
VCC	Supply voltage		6.0	V
Pd	Power dissipation	Ta ≤ 25°C	960	mW
Kθ	Thermal derating	Ta > 25°C	9.6	mW/°C
Topr	Operating temperature		-20 to +75	°C
Tstg	Storage temperature		-40 to +125	°C

### THERMAL DERATING



# M62498AFP

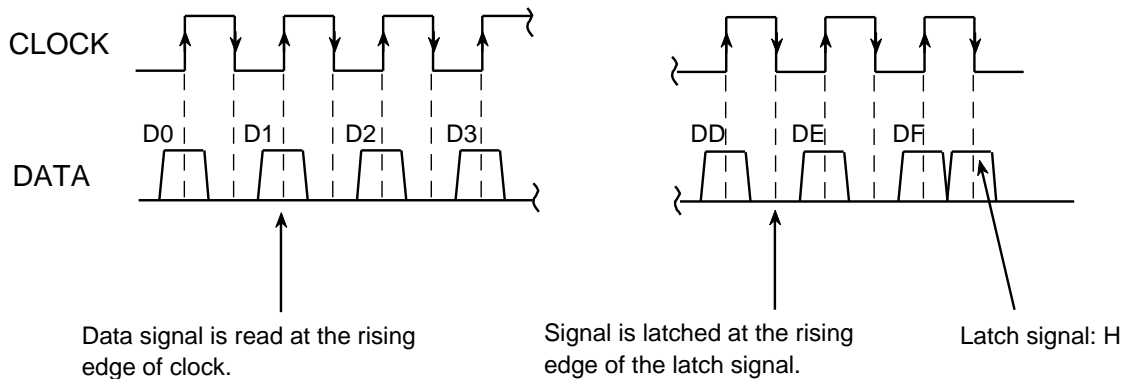
## DIGITAL SOUND CONTROLLER WITH SURROUND

### RECOMMENDED OPERATING CONDITION

(Ta=25°C, unless otherwise noted)

Parameter	Symbol	Conditions	MIN	TYP	MAX	Units
Supply voltage	VCC		4.5	5.0	5.5	V
Logic"H"level input voltage	VIH	GND reference	2.4	—	VCC	V
Logic"L"level input voltage	VIL	GND reference	GND	—	0.7	V

### RELATIONSHIP BETWEEN DATA AND CLOCK



# M62498AFP

## DIGITAL SOUND CONTROLLER WITH SURROUND

### DATA CONTROL SPECIFICATION

Four kinds of input format options are available by changing slot settings of DC,DD.

(When the IC is powered up,the internal setting are not fixed.)

<MUTE cancellation data> (x is optional setting)

D04 D14 D24 **D34** D44 **D54** D64 D74 D84 D94 DA4 DB4 **DC** **DD** **DE** **DF**  
 X X X **0** X **1** X X X X X X **1** **1** **0** **0**

Chip address

(1)

D01	D11	D21	D31	D41	D51	D61	D71	D81	D91	DA1	DB1	DC	DD	DE	DF
TONE CONTROL TREBLE			TONE CONTROL MID				TONE CONTROL BASS			0	0	0	0		

(2)

D02	D12	D22	D32	D42	D52	D62	D72	D82	D92	DA2	DB2	DC	DD	DE	DF
A1 VOLUME CH 1			B1 VOLUME CH 1				INPUT D ATT SW	INPUT E ATT SW	0	0	1	0	0		

(3)

D03	D13	D23	D33	D43	D53	D63	D73	D83	D93	DA3	DB3	DC	DD	DE	DF
A1 VOLUME CH 2			B1 VOLUME CH2				LOUDNESS SW	TONE INPUT SELECTOR	0	1	0	0	0		

(4)

Note1)

	D04	D14	D24	D34	D44	D54	D64	D74	D84	D94	DA4	DB4	DC	DD	DE	DF
SURROUND OF OUTSIDE SETTING	INPUT SELECTOR			Note) Mute	REC-B ON:1 OFF:0	1	INPUT VOLUME			A INPUT VOLUME SELECTOR	B INPUT VOLUME SELECTOR	REC-A ON:1 OFF:0	1	1	0	0
SURROUND OF INSIDE SETTING				SURROUND		0				REC-C ON:1 OFF:0						

Note1) Surround of outside setting, It becomes "D54=1"--->SW41 and 42 setting = B fixation.Surround of inside setting (Surround of outside non setting), It becomes "D54=0--->SW41 and 42 setting = A fixation,It becomes volume input selector A setting = A fixation.

Note2) In power supply investing to Mute an output pin,it becomes setting like the following.Input selector = ALL OFF,Outside surround mode setting,REC-A~C SW=OFF,B1 main volume=-∞ setting.The similar MUTE setting can be done by setting D34=D54=1 to DC=DD=1,DE=DF=0.

# M62498AFP

## DIGITAL SOUND CONTROLLER WITH SURROUND

### SETTING CODE

(1)TONE CONTROL (TREBLE/MID/BASS)

ATT	TREBLE	D01	D11	D21	D31
	MID	D41	D51	D61	D71
	BASS	D81	D91	DA1	DB1
+ 8dB		1	1	0	0
+ 6dB		1	0	1	1
+ 4dB		1	0	1	0
+ 2dB		1	0	0	1
0dB		0	0	0	0
- 2dB		0	0	0	1
- 4dB		0	0	1	0
- 6dB		0	0	1	1
- 8dB		0	1	0	0

(10)INPUT SELECTOR

INPUT	D04	D14	D24
A ch	0	0	0
B ch	0	0	1
C ch	0	1	0
D ch	0	1	1
E ch	1	0	0
ALL OFF	1	1	1

(2)LOUDNESS

LOUDNESS	D93
OFF	0
ON	1

(3)A VOL SELECTOR

Note) It is possible to control only at D54="1" setting.

AVOL SELECTOR	D94
BYPASS	0
OUTSIDE SURROUND INPUT	1

(11) REC-A SWITCH

REC-A OUTPUT	DB4
OFF	0
ON	1

(12)SURROUND

Note) It is possible to control only at D54="0" setting.

SURROUND	D34	D44
OFF	0	0
L	1	0
M	0	1
H	1	1

(4)B VOL SELECTOR

BVOL SELECTOR	DA4
BYPASS	0
TONE	1

(5)TONE INPUT SELECTOR

TONE INPUT	DA3
BYPASS	0
INSIDE SURROUND INPUT	1

(6) E INPUT ATT SW

E INPUT ATT SW	DA2
0dB	0
-5/-8dB	1

(7) D INPUT ATT SW

D INPUT ATT SW	D92
0dB	0
-5/-8dB	1

(8) D/E INPUT ATT SW

D/E INPUT ATT SW	DB3
-8dB	0
-5dB	1

(9) VOCAL CUT SW

VOCAL CUT SW	DB2
OFF	0
ON	1

(13)INPUT VOLUME

INPUT VOLUME	D64	D74	D84
0 dB	0	0	0
-2 dB	0	0	1
-4 dB	0	1	0
-6 dB	0	1	1
-8 dB	1	0	0
-10 dB	1	0	1
-12 dB	1	1	0
-14 dB	1	1	1

Note:Do not input other data than the above.

# M62498AFP

## DIGITAL SOUND CONTROLLER WITH SURROUND

(14)A MAIN VOLUME

A T T	FRONT STEP VOL. CH 1	D02	D12	D22	D32
	FRONT STEP VOL. CH 2	D03	D13	D23	D33
	0 dB	0	0	0	0
	-2 dB	0	0	0	1
	-4 dB	0	0	1	0
	-6 dB	0	0	1	1
	-8 dB	0	1	0	0
	-10 dB	0	1	0	1
	-12 dB	0	1	1	0
	-14 dB	0	1	1	1
	-16 dB	1	0	0	0

(15)B MAIN VOLUME

A T T	BACK STEP VOL. CH 1	D42	D52	D62	D72	D82
	BACK STEP VOL. CH 2	D43	D53	D63	D73	D83
	0 dB	0	0	0	0	0
	-2 dB	0	0	0	0	1
	-4 dB	0	0	0	1	0
	-6 dB	0	0	0	1	1
	-8 dB	0	0	1	0	0
	-10 dB	0	0	1	0	1
	-12 dB	0	0	1	1	0
	-14 dB	0	0	1	1	1
	-16 dB	0	1	0	0	0
	-18 dB	0	1	0	0	1
	-20 dB	0	1	0	1	0
	-22 dB	0	1	0	1	1
	-24 dB	0	1	1	0	0
	-26 dB	0	1	1	0	1
	-28 dB	0	1	1	1	0
	-32 dB	0	1	1	1	1
	-36 dB	1	0	0	0	0
	-40 dB	1	0	0	0	1
	-44 dB	1	0	0	1	0
	-48 dB	1	0	0	1	1
	-52 dB	1	0	1	0	0
	-56 dB	1	0	1	0	1
	-60 dB	1	0	1	1	0
	-61 dB	1	0	1	1	1
	-62 dB	1	1	0	0	0
	-63 dB	1	1	0	0	1
	-64 dB	1	1	0	1	0
	-∞ dB	1	1	1	1	1



**M62498AFP****DIGITAL SOUND CONTROLLER WITH SURROUND****ELECTRICAL CHARACTERISTICS**

(Ta=25°C, VCC=5.0V, f=1kHz, unless otherwise noted.)

INPUT VOLUME=0dB, SURROUND, LOUDNESS=OFF, VOL. INPUT SELECTOR A, B  
setting=Bypass. TONE INPUT SELECTOR=Bypass. Refer to the application circuit example.)**(1) Power supply characteristics**

Parameter	Symbol	Test condition	Limits			Units
			MIN	TYP	MAX	
Circuit current	A <sub>l</sub> dd	No signal setting	—	35	60	mA

**(2) Input/Output characteristics (Total) Ta=25°C**

Parameter	Symbol	Test condition	Limits			Units
			MIN	TYP	MAX	
Input impedance	R <sub>in</sub>	3~5pin, 38~40pin	22	33	48	KΩ
Maximum input Amplitude	VIM <sub>t</sub>	(Input pin to 3~5, 38~40) Output pin to 19, 24, A main Vol=-2dB RL=10KΩ, THD=1%	1.2	1.4	—	V <sub>rms</sub>
	VIM <sub>t</sub> DE	(Input pin to 6, 7, 36, 37) Output pin to 19, 24 <small>Note</small> R <sub>in</sub> =12KΩ, RL=10Ω, THD=1% D, Ech ATT SW=-8dB, Input VOL=-2dB	2.8	3.1	—	V <sub>rms</sub>
Maximum output Amplitude	VOM <sub>t</sub>	(Input pin~3, 40) Output pin to 19, 24 RL=10Ω, THD=1%	1.0	1.25	—	V <sub>rms</sub>
Gain	G <sub>vt</sub>	V <sub>i</sub> =0.5V <sub>rms</sub> , FLAT, Pin(3~6, 37~40pin)-19, 24gains	-2.0	0	2.0	dB
Total harmonic distortion	THDA	(Input pin to 3, 40) Output pin to 19, 24 DIN-AUDIO, V <sub>i</sub> =0.5V <sub>rms</sub> , RL=30Ω	—	0.006	0.07	%
	THDB	B Volume input selector THDA:Bypass THDB:Tone	—	0.009	0.09	%
Output noise level	NoA	19, 24pin, R <sub>g</sub> =0Ω, JIS-A, Main volume=-∞	—	2.5	6	μV <sub>rms</sub>
		19, 24pin, R <sub>g</sub> =0Ω, JIS-A, Main volume=0dB	—	5	10	μV <sub>rms</sub>
	NoB	19, 24pin, R <sub>g</sub> =0Ω, JIS-A, B Volume input selector:Tone	—	7	15	μV <sub>rms</sub>
		19, 24pin, R <sub>g</sub> =0Ω, JIS-A, B Volume input select:Tone, Tone input select:Surround	—	10	20	μV <sub>rms</sub>
Cross talk between channels	CT	V <sub>o</sub> =0.5V <sub>rms</sub> , RL=10KΩ, JIS-A Pin19 to 24gains R <sub>g</sub> =10KΩ	—	-80	-65	dB
Volume maximum attenuation quantity	ATT <sub>max</sub>	V <sub>i</sub> =1V <sub>rms</sub> , JIS-A Main volume=-∞	—	—	-80	dB

Note) Insert 12KΩ Input Resistance to the pins in series.

**DIGITAL SOUND CONTROLLER WITH SURROUND****(3)Tone control characteristics**

$V_i=0.2V_{rms}$ , Input pin to 9 and 34, Output pin to 17 and 26, A VOL input selector: Input to outside surround, Tone input selector: Bypass, B VOL input selector: Tone, unless otherwise noted.

Parameter	Symbol	Test conditions	Limits			Units
			MIN	TYP	MAX	
Value of Boost(Bass)	G(BASS)B	f=100Hz Tone bass setting +8dB	6	8	10	dB
Value of Cut(Bass)	G(BASS)C	f=100Hz Tone bass setting -8dB	-10	-8	-6	dB
Value of Boost(Mid)	G(MID)B	f=1kHz Tone mid setting +8dB	6	8	10	dB
Value of Cut(Mid)	G(MID)B	f=1kHz Tone mid setting -8dB	-10	-8	-6	dB
Value of Boost(Treble)	G(TRE)B	f=10kHz Tone treble setting +8dB	6	8	10	dB
Value of Cut(Treble)	G(TRE)B	f=10kHz Tone treble setting -8dB	-10	-8	-6	dB
Balance between channels	BALT	boost condition +8,-8dB	-2	0	+2	dB

# M62498AFP

## DIGITAL SOUND CONTROLLER WITH SURROUND

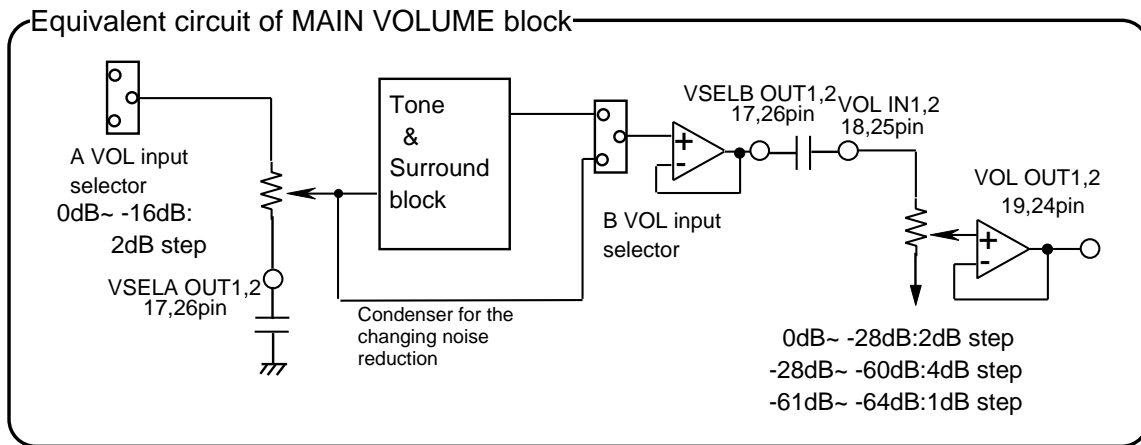
### FUNCTION DESCRIPTION

(1) Main volume

This IC has 2 system independence electron volume of low warp percentage and low noise.  
 0dB~ -∞dB attenuation quantity can be set with 36 steps(0dB~ -44dB:2dB step, -44dB~ -76dB:4dB step, -77dB ~ -80dB:1dB step).

The attenuation quantity to 0~ -16dB can be set in A1 Vol.

The attenuation quantity to 0~ -64dB can be set in B1 Vol.They are possible to control.

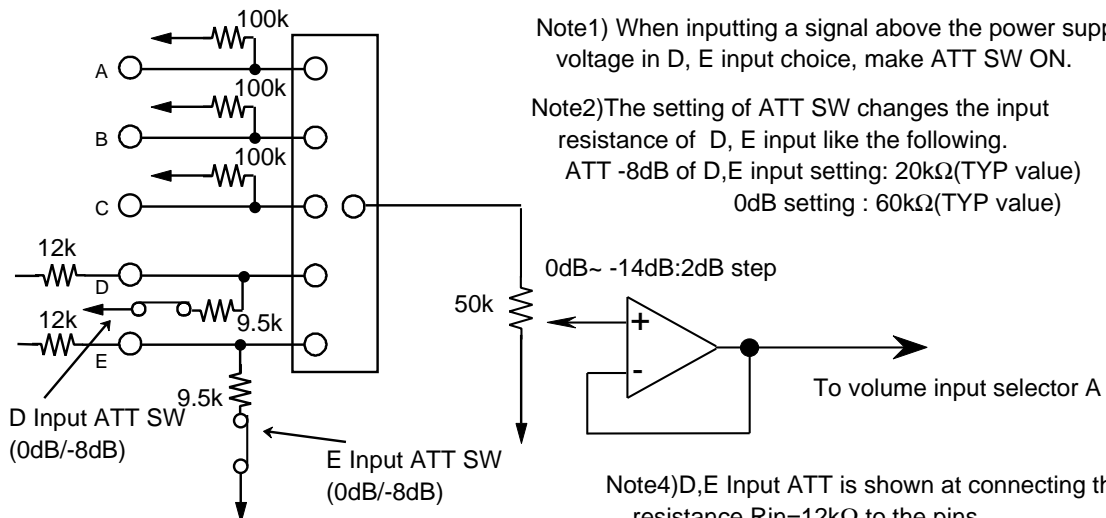


(2) Input selector, Input volume

This IC has 5 input selector of 2ch and Input volume of 2ch for Input TRIMMER.

The input selector D, E input is either of -8 dB of 0dB/ a choice in the input level with ATT SW at Input Resistance 12k.

The input volume of 0~-14dB can be set with the 2 dB step.



Note1) When inputting a signal above the power supply voltage in D, E input choice, make ATT SW ON.

Note2) The setting of ATT SW changes the input resistance of D, E input like the following.  
 ATT -8dB of D,E input setting: 20kΩ(TYP value)  
 0dB setting : 60kΩ(TYP value)

Note3) At the time of input selector A~C, E or ALL OFF D input ATT SW becomes -8dB setting.

At the time of input selector A~D or ALL OFF D input ATT SW becomes -8dB setting.

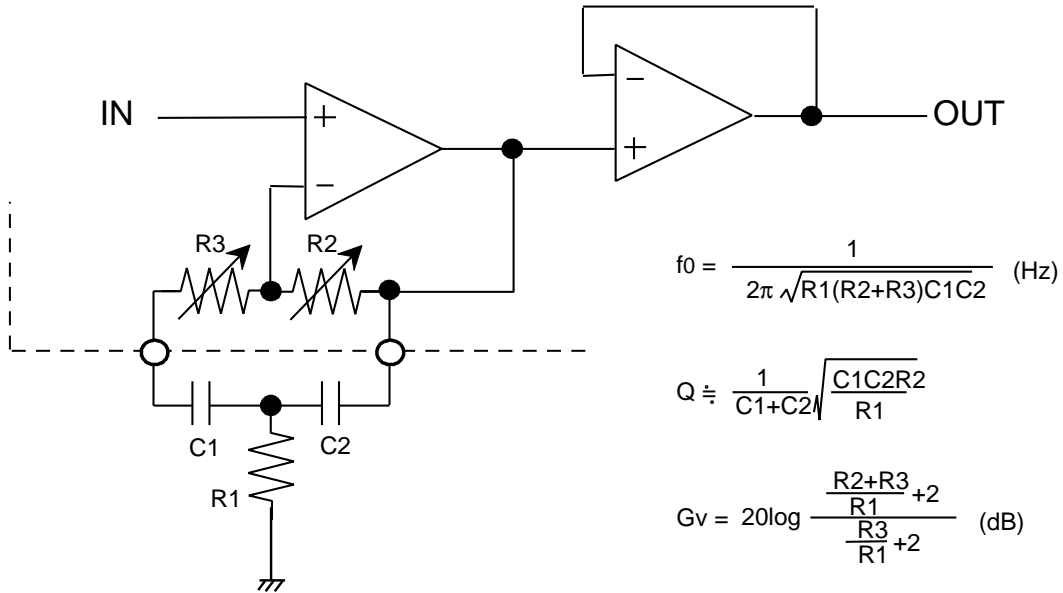
Note4) D,E Input ATT is shown at connecting the input resistance Rin=12kΩ to the pins.

Note5) When delete the external resistance 12kΩ, D,E Input ATT is as follows  
 ATT SW 0dB setting : 1.87dB  
 -8dB setting : 0dB

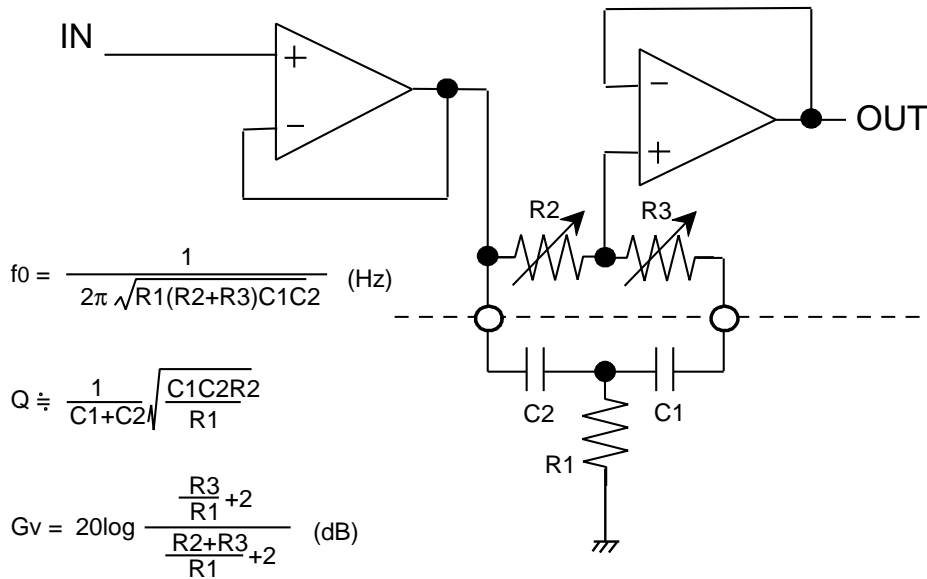
# M62498AFP

## DIGITAL SOUND CONTROLLER WITH SURROUND

### (3)Equivalent circuit of tone control 3-1 Bass, Mid (Boost mode)



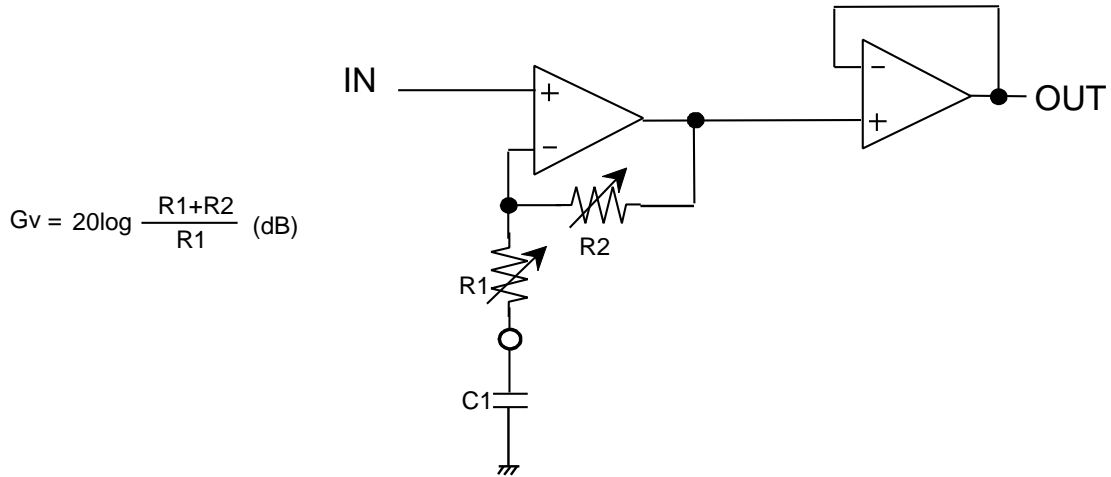
### 3-2 Bass, Mid (Cut mode)



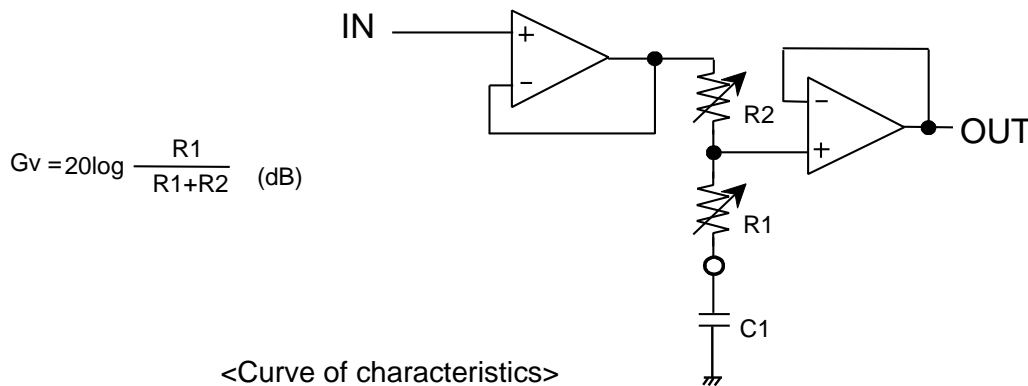
# M62498AFP

## DIGITAL SOUND CONTROLLER WITH SURROUND

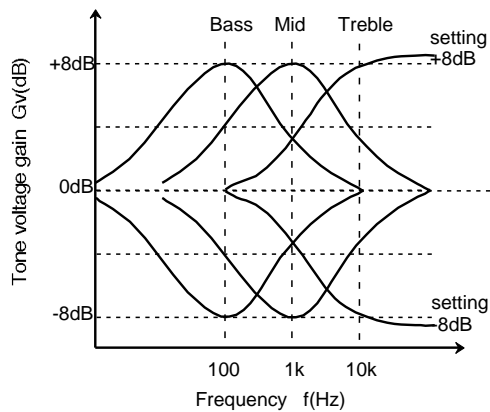
### 3-3 Treble (Boost)



### 3-4 Treble (Cut)



<Curve of characteristics>



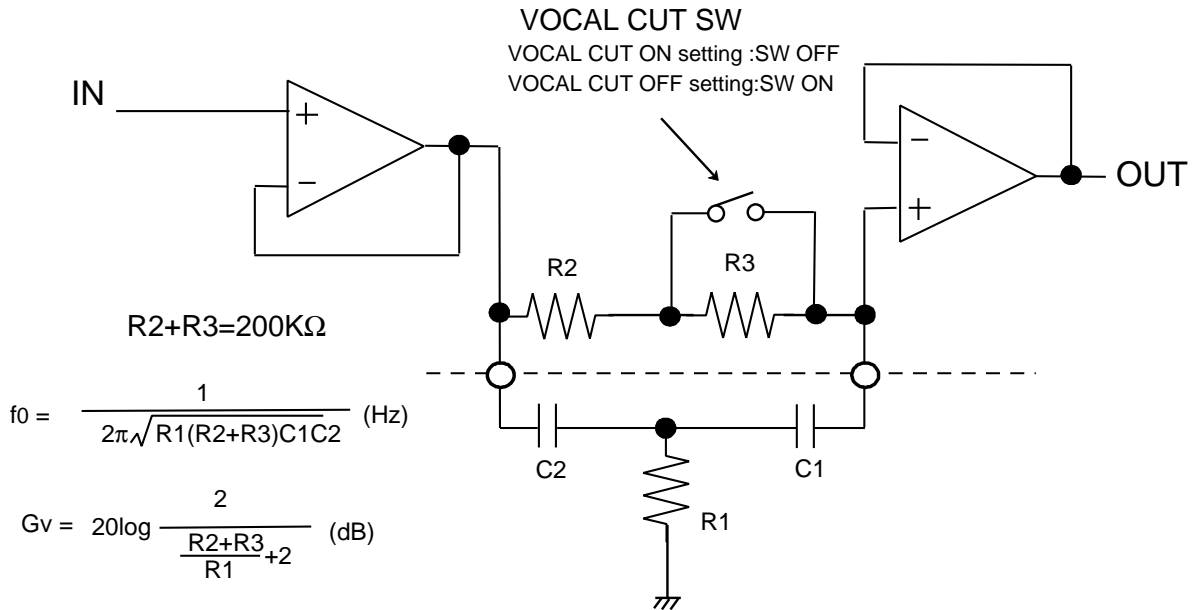
# M62498AFP

## DIGITAL SOUND CONTROLLER WITH SURROUND

### (4) Equivalent circuit of Vocal cut

This IC incorporates the circuit which realizes a vocal cut function simply by lowering gain in the area using the mid circuit of the tone control.

But be careful because vocal cut ON setting, the mid of the tone control can not used.



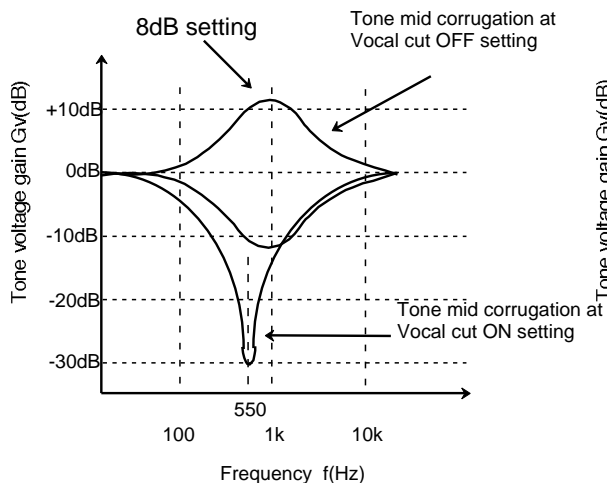
At vocal cut ON setting, the frequency characteristic can be set like the following, by the resistance of putting outside: The fixed number of R1 and C1, C2.

#### <CHARACTERISTIC CURVE>

##### 1. Vocal cut characteristic edition

$f_0=550\text{Hz}$   
 $G_v=-30\text{dB}$

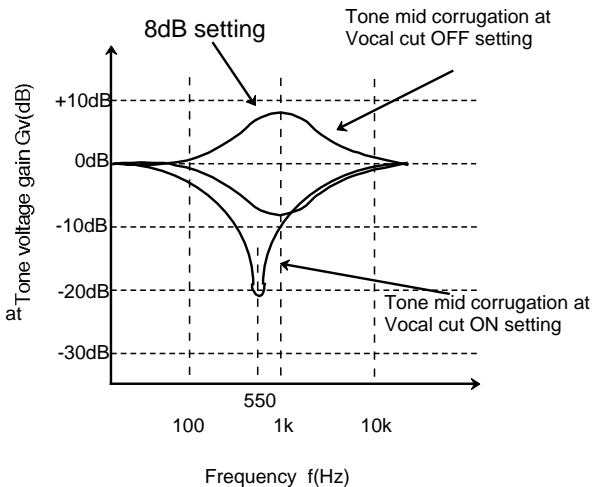
$R=3K\Omega, C1=C2=0.012\mu\text{F}$



##### 2. Tone control mid characteristic edition

$f_0=530\text{Hz}$   
 $G_v=-20\text{dB}$

$R=10K\Omega, C1=C2=6800\text{pF}$

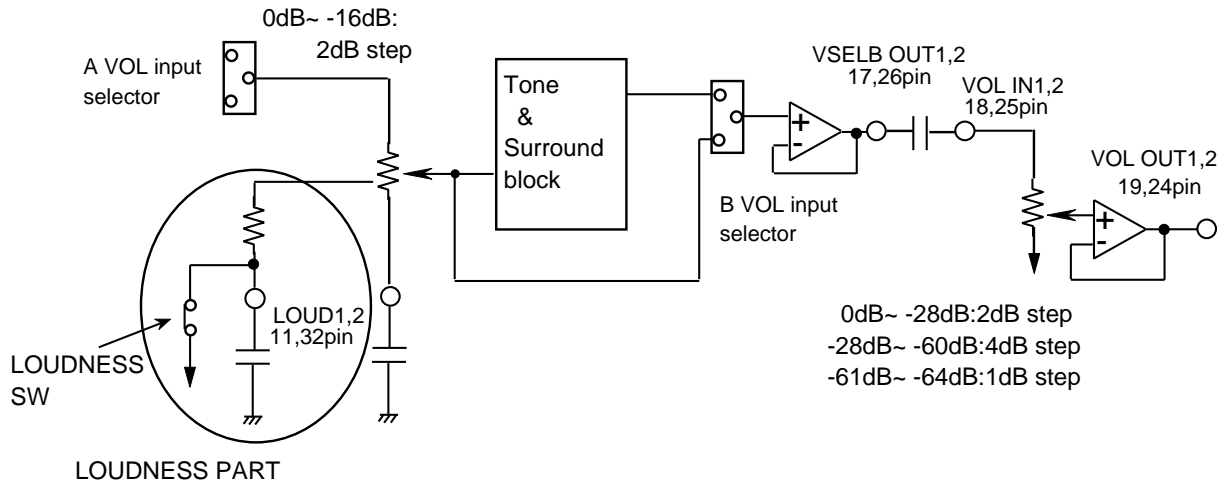


# M62498AFP

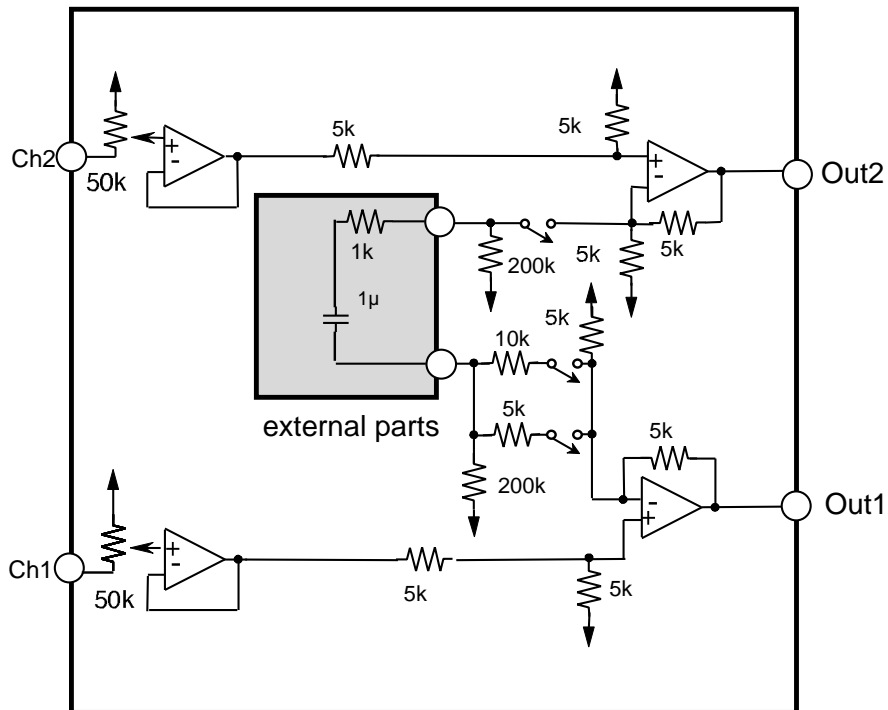
## DIGITAL SOUND CONTROLLER WITH SURROUND

### (5) LOUDNESS

This IC built-in a center tap -type loudness circuit.



### (6)Equivalent circuit of surround block



# M62498AFP

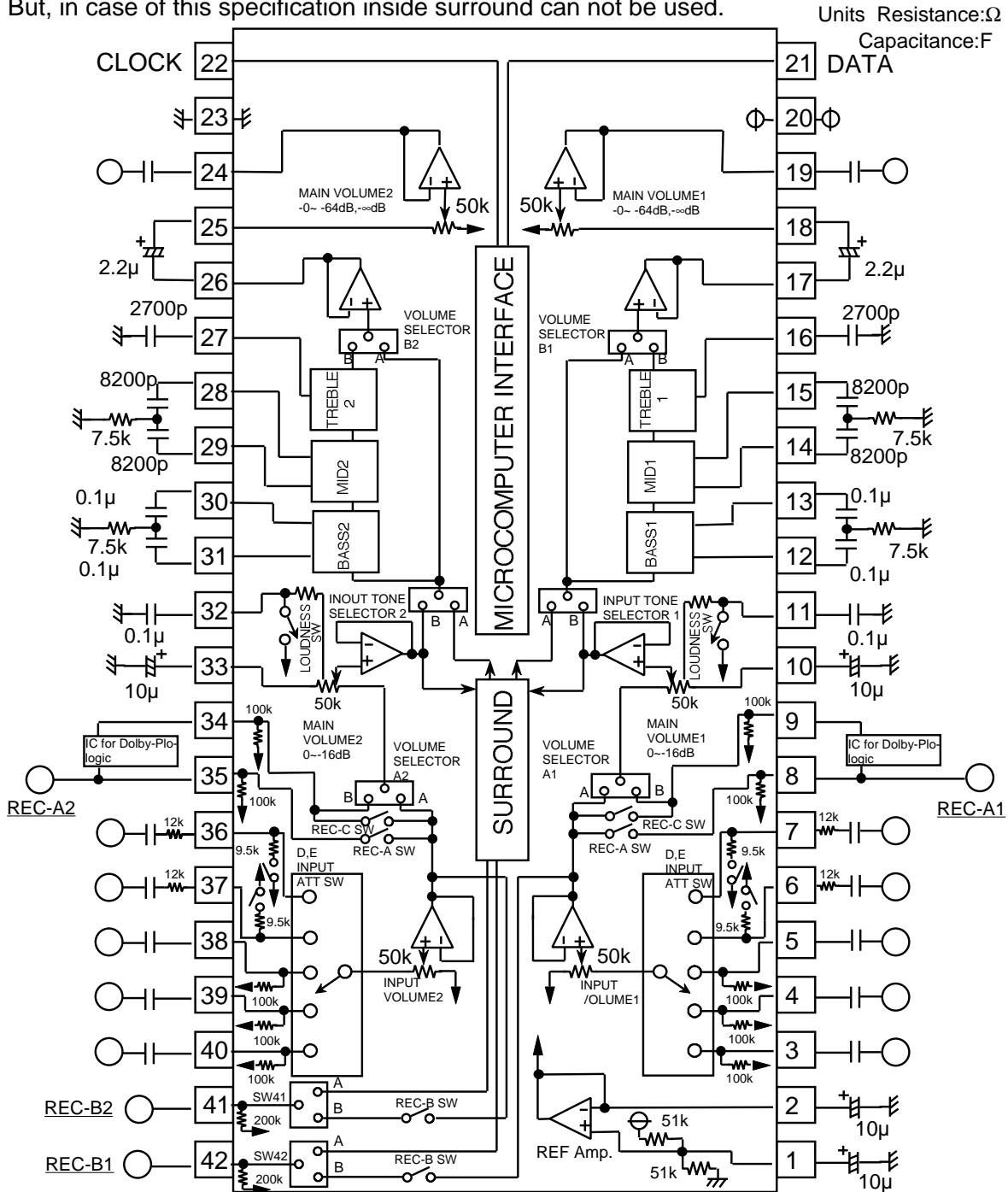
## DIGITAL SOUND CONTROLLER WITH SURROUND

### APPLICATION EXAMPLE

(1) Surround of outside setting (for Dolby-Pro-logic)

<"D54=1"--->SW41, 42 setting = B fixation.>

But, in case of this specification inside surround can not be used.





# M62498AFP

## DIGITAL SOUND CONTROLLER WITH SURROUND

(2) Surround of outside non setting (for Dolby-Pro-logic)

<"D54=0"--->SW41, 42 setting = A fixation, Volume input selector A setting=A fixation.>

Units Resistance:Ω  
Capacitance:F

