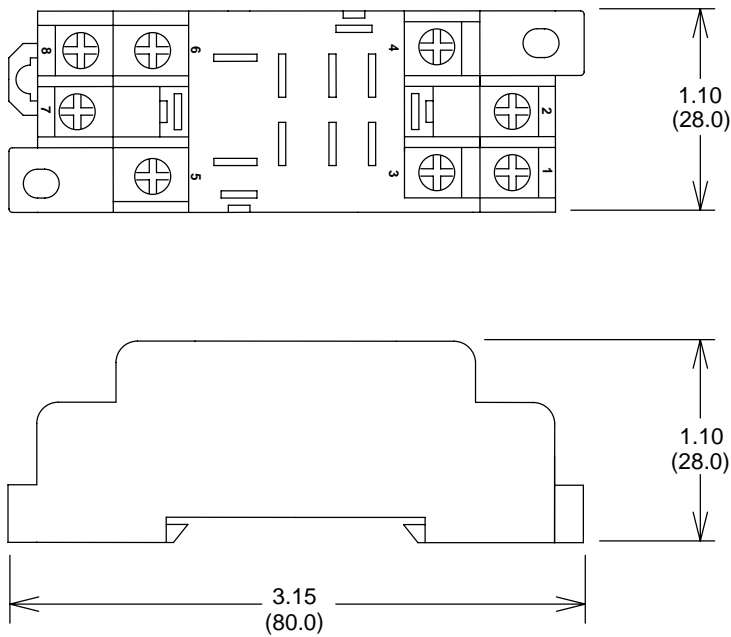


8 Pin Midget Socket for Din Rail or Panel Mount

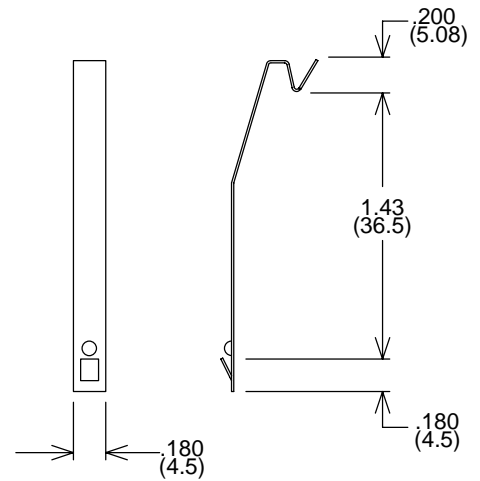
SC113-2C

For Use With The PC113 Relay

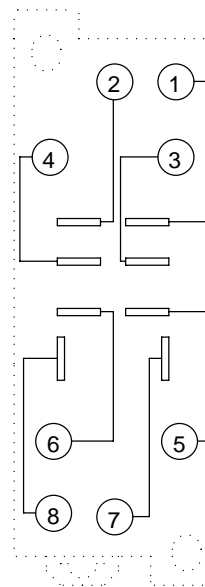
Socket
Dimensions in inches (MM)



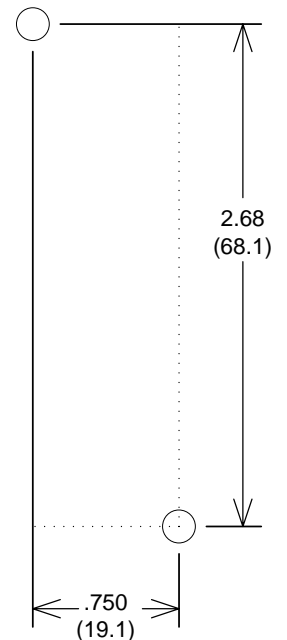
Hold Down Clip



Terminal Layout
Top View



Mounting Dimensions
Top View



Ordering Information

SC113-2C-F1; Socket with open terminals
SC113-2C-F2; Socket with finger safe terminals

Notes

Two hold down clips included with each socket
All Picker Components sockets have pressure clamp screws
Fits standard 35 mm Din Rail
Tolerances $\pm .010$ unless otherwise noted