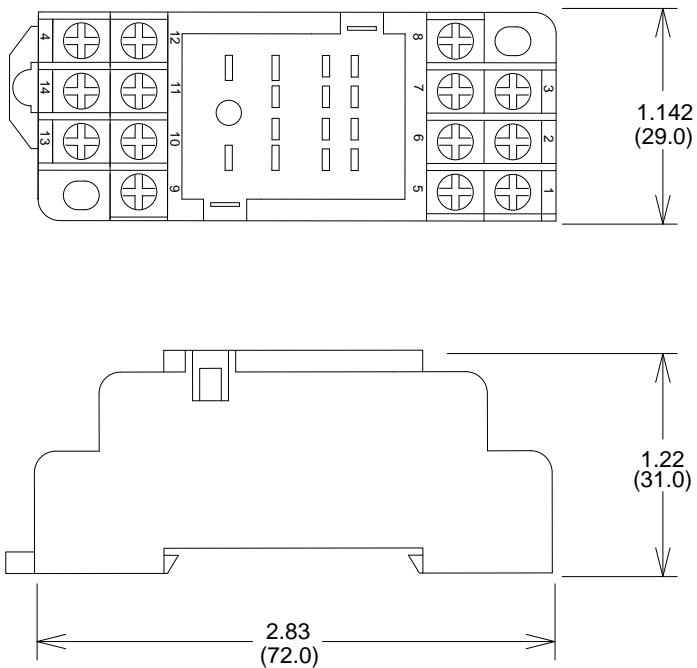
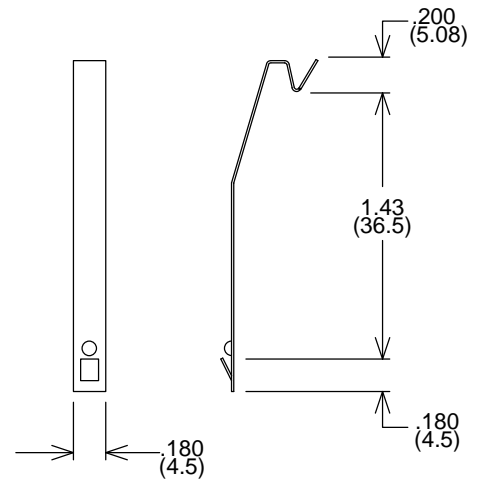


For Use With The P118 Relay

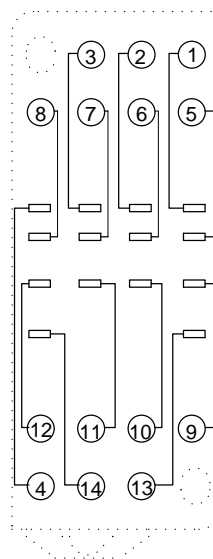
**Socket**  
Dimensions in inches (MM)



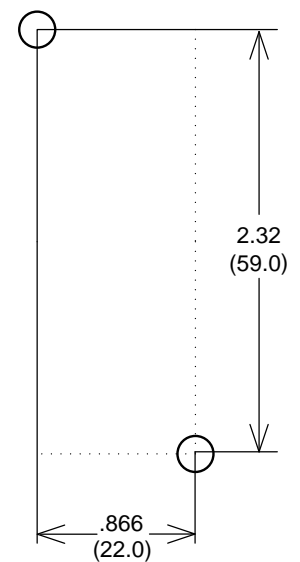
**Hold Down Clip**



**Terminal Layout**  
Top View



**Mounting Dimensions**  
Top View



### Ordering Information

SC118-4C-F1; Socket with open terminals  
SC118-4C-F2; Socket with finger safe terminals

### Notes

Two hold down clips included with each socket  
All Picker Components sockets have pressure clamp screws  
Fits standard 35 mm Din Rail  
Tolerances  $\pm .010$  unless otherwise noted