

固態繼電器

Power S.S.R

Features

- Optically Isolated ; AC Output.
- Input LED Indicator.
- High dv / dt and High Blocking Voltage.
- TTL and CMOS Compatible.
- Zero Voltage Turn - on, Zero Current Turn - off (minizes EMI / RFI).
- High Surge Rating Allows Lamp and Motor Load Switching.
- Output Snubber Circuit Protection.
- UL recognized.
- CE recognized.
- VDE recognized.



Order Code

TDA 2 25 * * * * *
a b c d e f g h

a: Model: TDA = DC input, AC output ; TAA = 220VAC AC input, AC output ;
TAAL = 110VAC AC input, AC output
b: Output Voltage: 2 = 240VAC ; 3 = 380VAC
c: Rated Current: 10A, 15A, 25A, 40A
d: Turn - On Type: NIL = Zero - On ; R = Random - On
e: Special Code: NIL = With LED ; N = Without LED
f: Option: NIL = Without Safety Cover ; C = With Safety Cover
g: Terminal: NIL = Without Terminal ; T = With Terminal
h: Ear: NIL = Without Ear ; E = With Ear

Input

Type No	TDA	TAAL	TAA
Input Voltage Range	4~32 VDC	90~140 VAC	180~280 VAC
Input Current	6~17 mA	5~12 mA	5~12 mA
Min Release Voltage	1 VDC	20 VDC	40 VDC

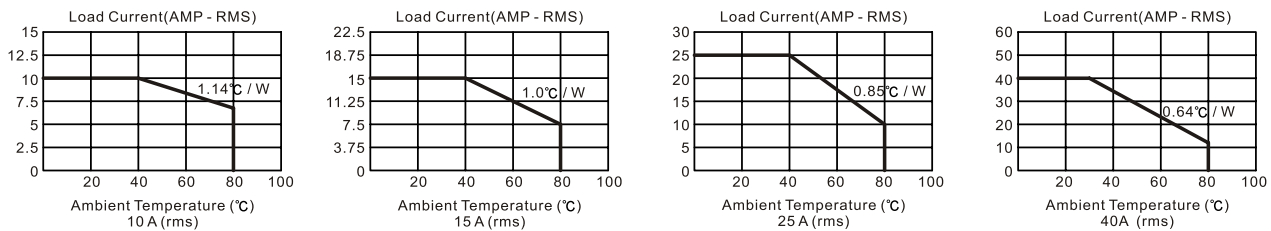
Output Load

Type No	10 A	15 A	25 A	40 A
Max. Rated Load Current Range	10 A	15 A	25 A	40 A
Max. Surge Current (10ms)	100A	150A	250A	400A
Load Voltage Range	2	24~280 VAC		
	3	48~400 VAC		
Transient Overvoltage	2	600 Vp		
	3	800 Vp		
Max. On - State Voltage drop	1.8 VAC			
Max. Leakage Current	10 mA			
Max. Turn - On Time	10 ms			
Max. Turn - Off Time	10 ms			
Operate Frequency	47~70 Hz			
Max. Power Dissipation	2 W / A			
Min. Off - State dv / dt	250 V / μ s			

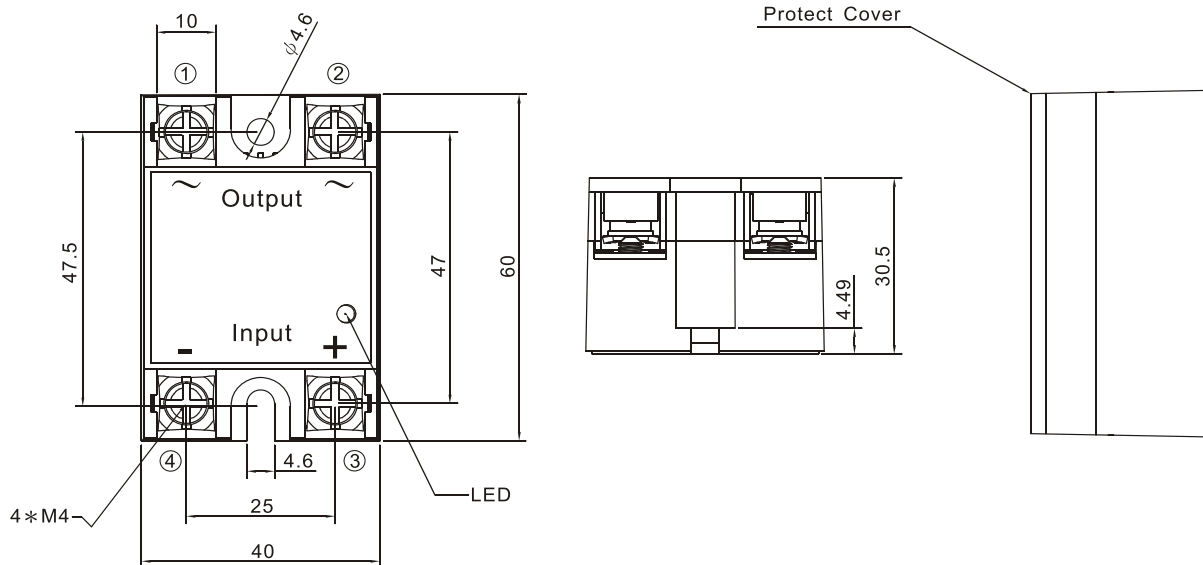
General Rating

Insulation Resistance	1000 M Ω
Insulation Between Input - Output	3500 VAC
Insulation Input - Output To Case	2000 VAC
Operating Temperature	-30 $^{\circ}$ C ~ +80 $^{\circ}$ C
Storage Temperature	-40 $^{\circ}$ C ~ +100 $^{\circ}$ C
Unit Weight	Approx 120g

Load Current Derating Curve



Dimensions (Unit: mm)



Protect Cover

