



TDA2003

LINEAR INTEGRATED CIRCUIT

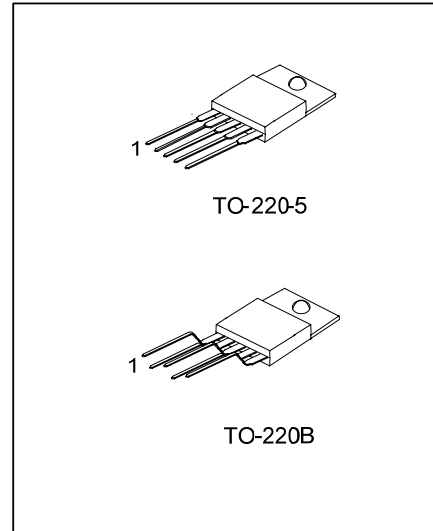
10W CAR RADIO AUDIO AMPLIFIER

DESCRIPTION

The UTC TDA2003 is a monolithic audio power amplifier integrated circuit.

FEATURES

- *Very low external component required.
- *High current output (up to 3 A).
- *Low harmonic and crossover distortion.
- *Built-in Over temperature protection.
- *Short circuit protection between all pins.



*Pb-free plating product number: TDA2003L

ORDERING INFORMATION

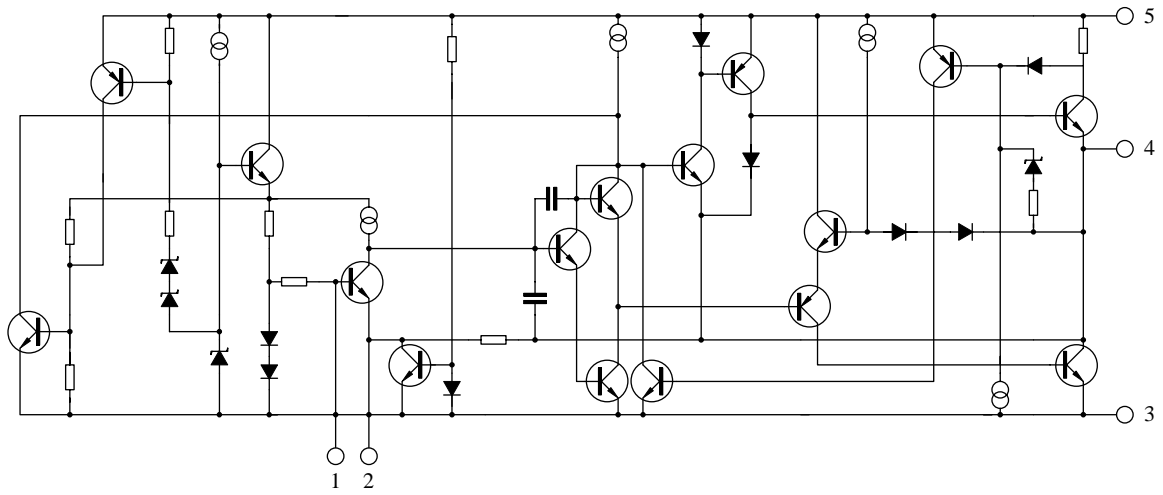
Ordering Number		Package	Packing
Normal	Lead Free Plating		
TDA2003-TA5-T	TDA2003L-TA5-T	TO-220-5	Tube
TDA2003-TB5-T	TDA2003L-TB5-T	TO-220B	Tube

<p>TDA2003L-TA5-T</p>	<p>(1) T: Tube (2) TA5: TO-220-5, TB5: TO-220B (3) L: Lead Free Plating, Blank: Pb/Sn</p>
-----------------------	---

PIN DESCRIPTION

PIN NO.	PIN NAME
1	Non inverting input
2	Inverting input
3	Ground
4	Output
5	Supply Voltage

■ BLOCK DIAGRAM



■ ABSOLUTE MAXIMUM RATINGS (Ta=25°C)

PARAMETER	SYMBOL	RATINGS	UNIT
Peak Supply Voltage	V _{SS}	40	V
DC Supply Voltage	V _{SS}	28	V
Operating Supply Voltage	V _{SS}	18	V
Output Peak Current	Repetitive	3.5	A
	Non Repetitive	4.5	A
Power Dissipation at T _c = 90°C	P _D	20	W
Storage and Junction Temperature	T _{STG}	-40 ~ +150	°C

Note Absolute maximum ratings are those values beyond which the device could be permanently damaged. Absolute maximum ratings are stress ratings only and functional device operation is not implied.

■ ELECTRICAL CHARACTERISTICS

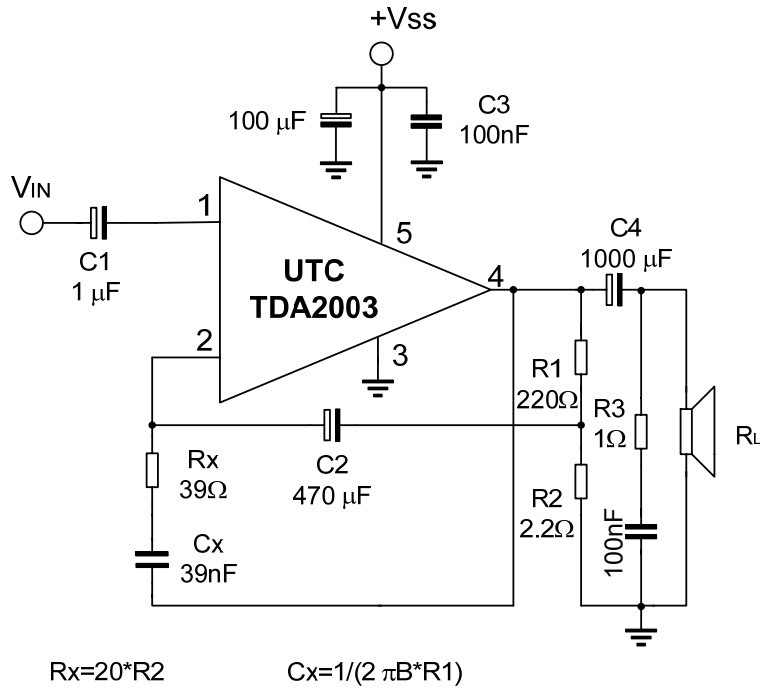
(Refer to the test circuit, V_S=±16V, Ta=25°C, unless otherwise specified.)

PARAMETER	SYMBOL	TEST CONDITIONS	MIN	TYP	MAX	UNIT
DC CHARACTERISTICS						
Supply Voltage	V _{SS}		8		18	V
Quiescent Output Voltage	V _{OUT}		6.1	6.9	7.7	V
Quiescent Drain Current	I _D			44	50	mA
AC CHARACTERISTICS						
Output Power	P _{OUT}	THD=10%, f=1kHz	R _L =8Ω	5.5	6	W
			R _L =2Ω	9	10	
			R _L =3.2Ω		7.5	
			R _L =1.6Ω		12	
Input Sensitivity	V _{I(S)}	f=1kHz	P _{OUT} =0.5W, R _L =4Ω		14	mV
			P _{OUT} =6W, R _L =4Ω		55	
			P _{OUT} =0.5W, R _L =2Ω		10	
			P _{OUT} =10W, R _L =2Ω		50	
Input Saturation Voltage	V _{I(RMS)}			300		mV
Frequency Response(-3dB)	F	P _{OUT} =1W, R _L =4Ω	40		15000	Hz
Total Harmonic Distortion	THD	f=1kHz	P _{OUT} =0.05 ~ 4.5W, R _L =4Ω		0.15	%
			P _{OUT} =0.05 ~ 7.5W, R _L =2Ω		0.15	
Input Resistance(Pin 1)	R _I	open loop, f=1kHz	70	150		kΩ
Input Noise Current	i _N			60	200	pA
Input Noise Voltage	e _N			1	5	μV
Open Loop Voltage Gain	G _{vo}	f=1kHz		80		dB
		f=10kHz		60		dB
Closed Loop Voltage Gain	G _{vc}	f=1kHz, R _L =4Ω	39.3	40	40.3	dB
Efficiency, f=1kHz	η	P _{OUT} =6W, R _L =4Ω		69		%
		P _{OUT} =10W, R _L =2Ω		65		
Supply Voltage Rejection	SVR	f=100Hz, V _{RUPPLE} =0.5V R _G =10kΩ, R _L =4Ω	30	36		dB

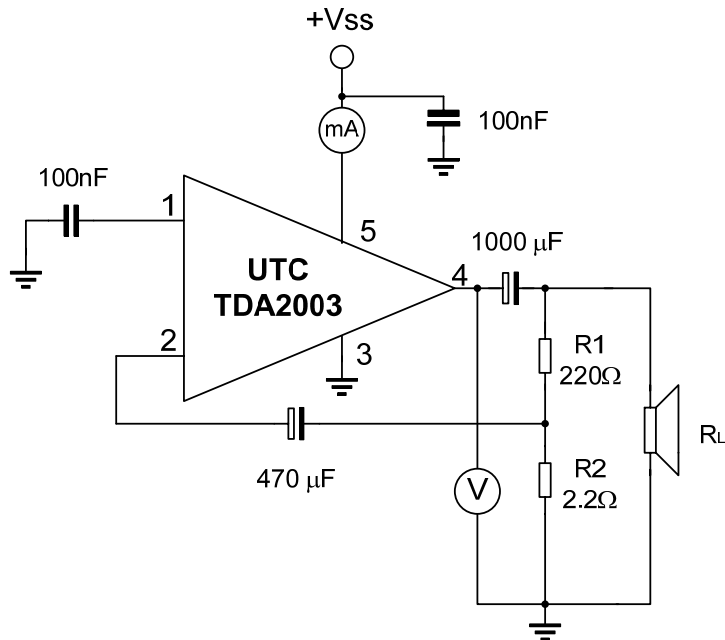
TDA2003

LINEAR INTEGRATED CIRCUIT

■ TEST CIRCUIT

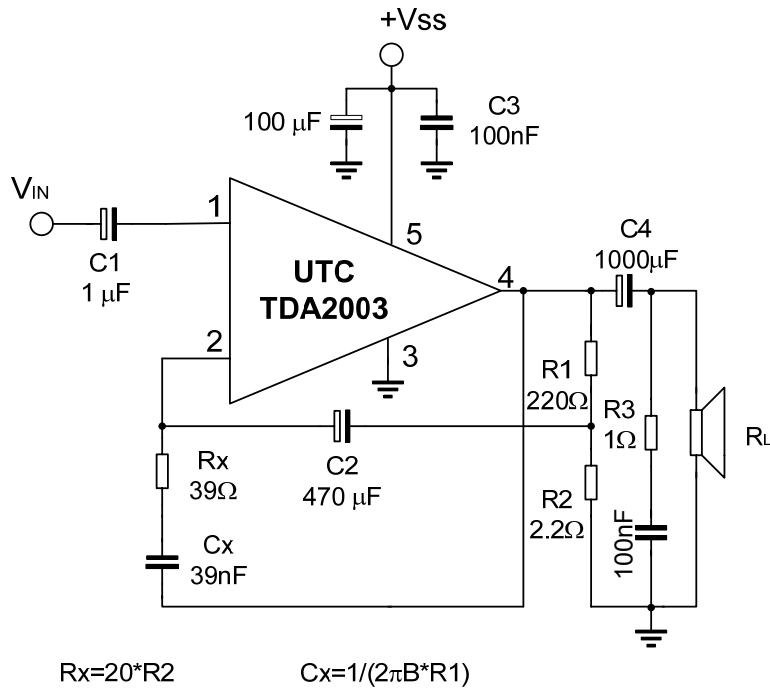


DC Test Circuit

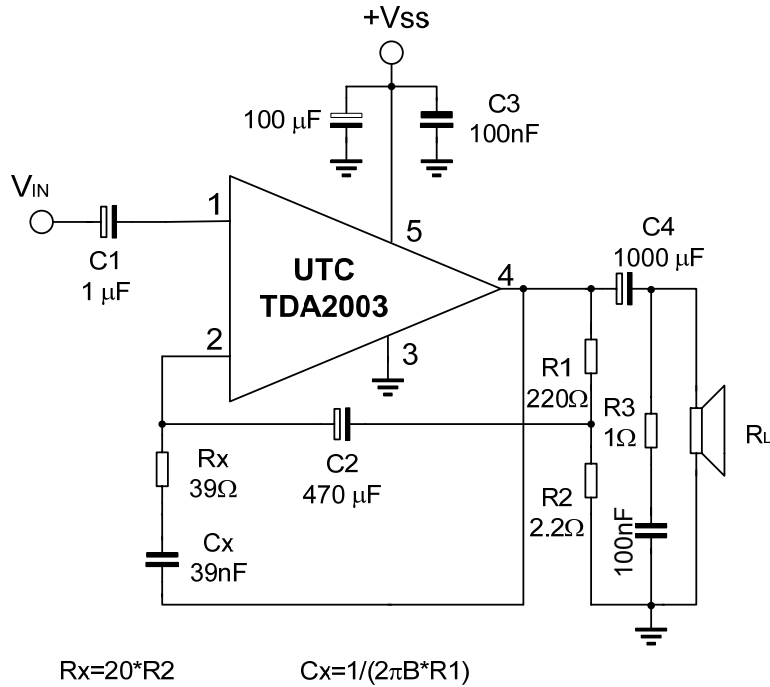


■ TEST CIRCUIT(Cont.)

AC Test Circuit

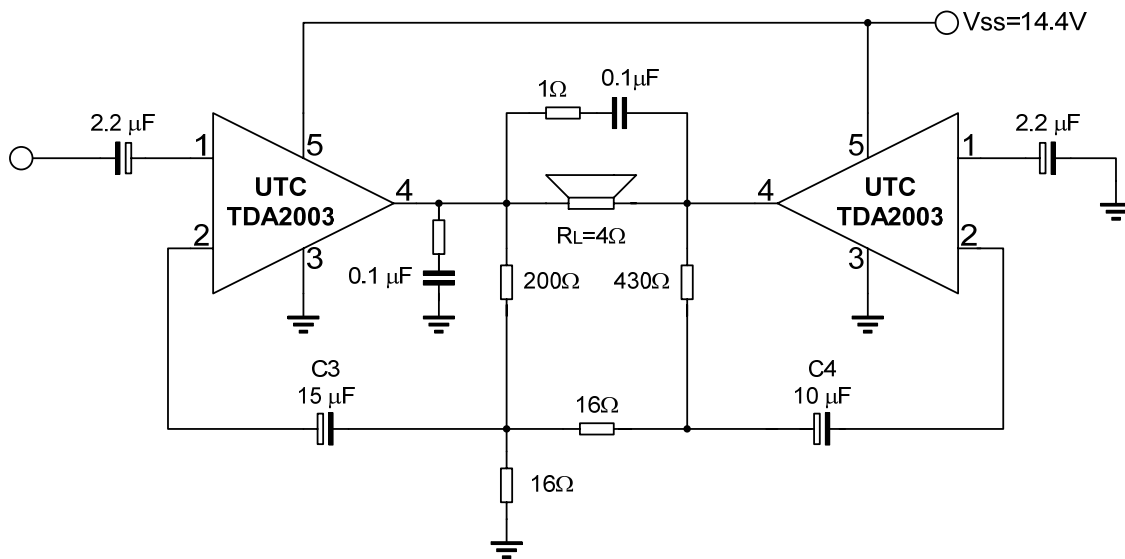


■ TYPICAL APPLICATION CIRCUIT



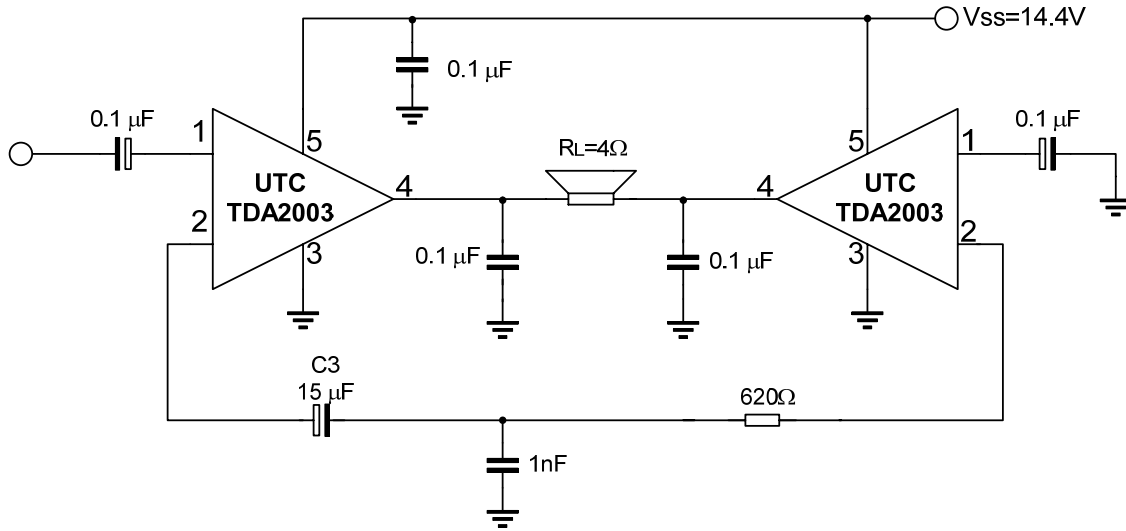
20W Bridge Configuration Application

The Values of the capacitors C3 and C4 are different to optimize the SVR (Typ. 40dB)



■ TYPICAL APPLICATION CIRCUIT

Low Cost Bridge Configuration Application Circuit($P_{OUT}=18W$)



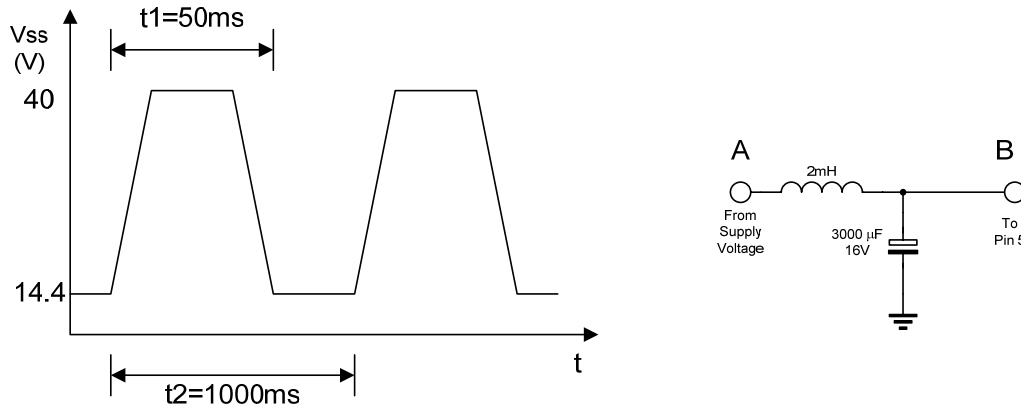
■ BUILT-IN PROTECTION SYSTEMS

LOAD DUMP VOLTAGE SURGE

The UTC **TDA2003** has a circuit which enables it to withstand a voltage pulse train, on pin 5.

If the supply voltage peaks to more than 40V, then an LC filter must be inserted between the supply and pin 5, in order to assure that the pulses at pin 5 will be head within the limits.

A suggested LC network. With this network, a train of pulses with amplitude up to 120V and width of 2ms can be applied at point A. This type of protection is ON when the supply voltage(pulsed or DC) exceeds 18V. For this reason the maximum operating supply voltage is 18V.



SHORT CIRCUIT (AC and DC Conditions)

The UTC **TDA2003** can withstand a permanent short-circuit on the output for a supply voltage up to 16V.

POLARITY INVERSION

High current (up to 5A) can be handled by the device with no damage for a longer period than the blow-out time of a quick 1A fuse(normally connected in series with the supply).

The feature is added to avoid destruction if, during fitting to the car, a mistake on connection of the supply is made.

OPEN GROUND

When the radio is in the ON condition and the ground is accidentally opened, a standard audio amplifier will be damaged. On the UTC **TDA2003** protection diodes are included to avoid any damage.

INDUCTIVE LOAD

A protection diode is provide between pin 4 and pin 5(see the internal schematic diagram) to allow use of the UTC TDA2003 with inductive loads. In particular, the UTC TDA2003 can drive a coupling transformer for audio modulation.

DC VOLTAGE

The maximum operating DC voltage on the UTC **TDA2003** is 18V.

However the device can withstand a DC voltage up to 28V with no damage. This could occur during winter if two batteries were series connected to crank the engine.

■ BUILT-IN PROTECTION SYSTEMS(Cont.)

THERMAL SHUT-DOWN

The presence of a thermal limiting circuit offers the following advantages:

- (1) An overload on the output (even if it is permanent), or an excessive ambient temperature can be easily withstood.
- (2) The heat-sink can have a smaller factor compared with that of a conventional circuit. There is no device damage in case of excessive junction temperature: all that happens is that P_o (and there P_D) and I_d are reduced.

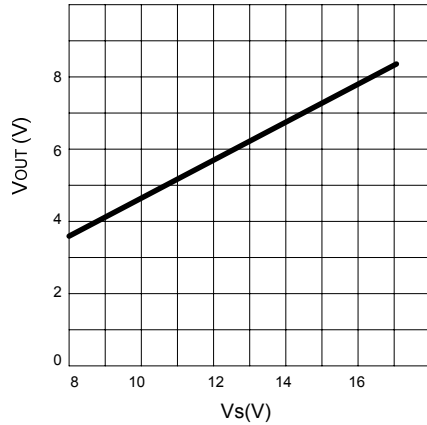
■ COMPONENTS USAGE SUGGESTION

The recommended values of the components are those shown on typical application circuit. Different values can be used. The following table can help the designer.

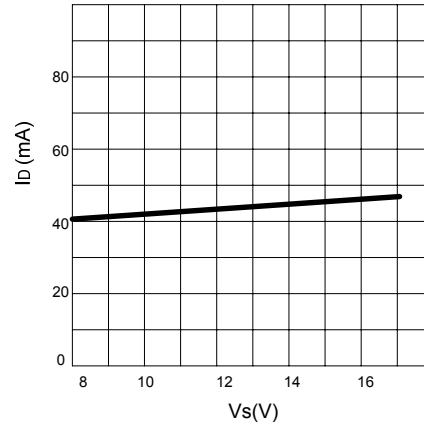
COMPONENT	RECOMMENDED VALUE	PURPOSE	LARGE THAN RECOMMENDED VALUE	LARGE THAN RECOMMENDED VALUE
R1	$(Gv-1)*R2$	gain setting.		increase of Gain
R2	2.2π	gain and SVR setting.	Decrease of SVR	
R3	1Ω	Frequency stability	Danger of oscillation at high frequencies with inductive loads.	
Rx	$\approx 20R2$	Upper frequency cutoff	Poor high frequencies attenuation	Danger of oscillation
C1	$2.2\mu F$	Input DC decoupling		Noise at switch-on switch-off
C2	$470\mu F$	Ripple rejection		Decrease of SVR
C3	$0.1\mu F$	Supply voltage bypass		Danger of oscillation
C4	$100\mu F$	Supply voltage bypass		Higher low frequency cutoff
C5	$0.1\mu F$	Frequency stability		Danger of oscillation at high frequencies with inductive loads.
Cx	$\approx 1/(2\pi*B*R1)$	Upper frequency cutoff	smaller bandwidth	Larger bandwidth

TYPICAL CHARACTERISTICS

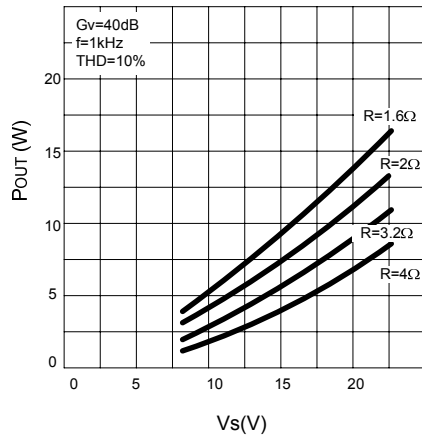
Quiescent output voltage vs. Supply voltage



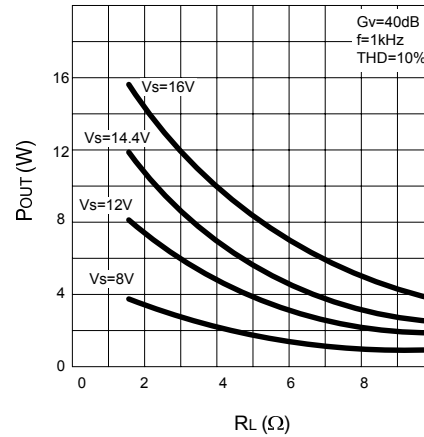
Quiescent drain current vs. Supply voltage



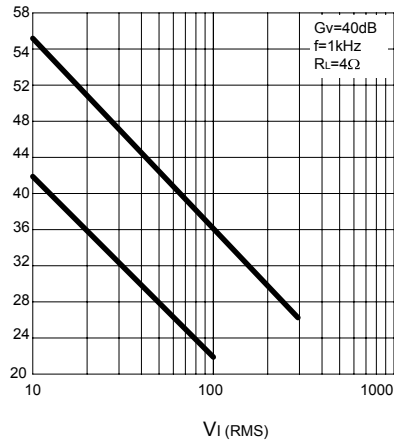
Output power vs. Supply voltage



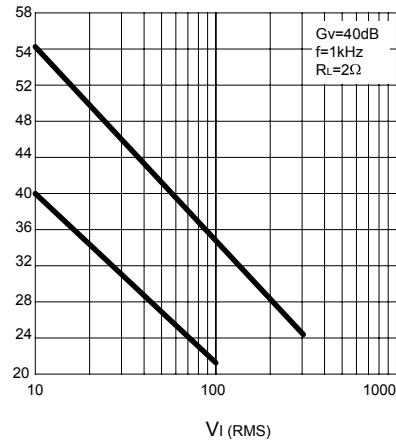
Output power vs. load resistance



Gain vs. Input sensitivity

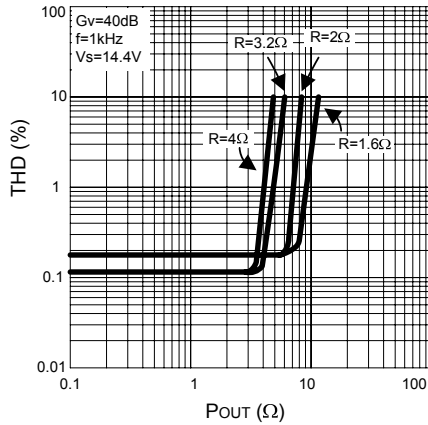


Gain vs. Input sensitivity

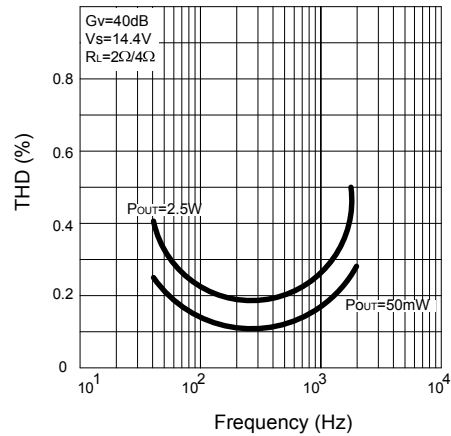


■ TYPICAL CHARACTERISTICS (Cont.)

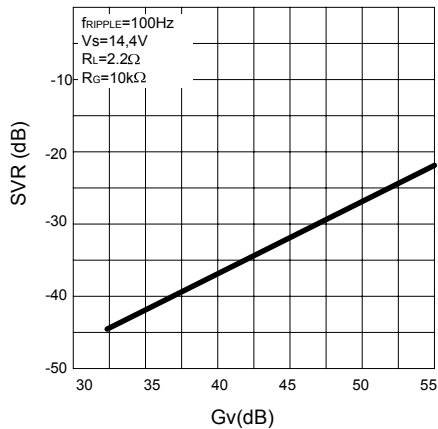
Distortion vs. output power



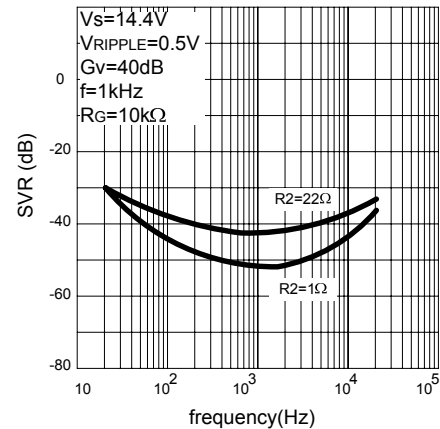
Distortion vs. frequency



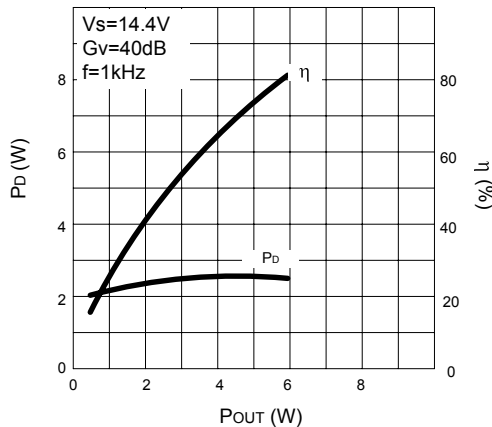
Supply voltage rejection vs. voltage gain



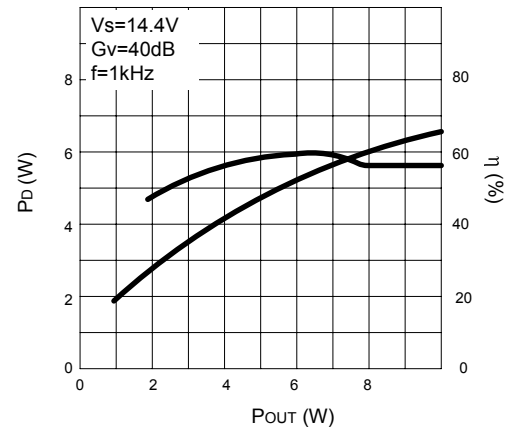
Supply voltage rejection vs. frequency



Power dissipation and efficiency vs. output power (R_L=4Ω)

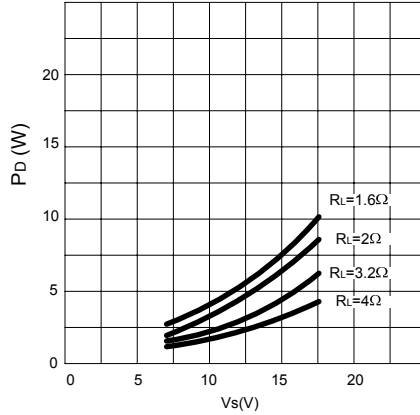


Power dissipation and efficiency vs. output power (R_L=2Ω)

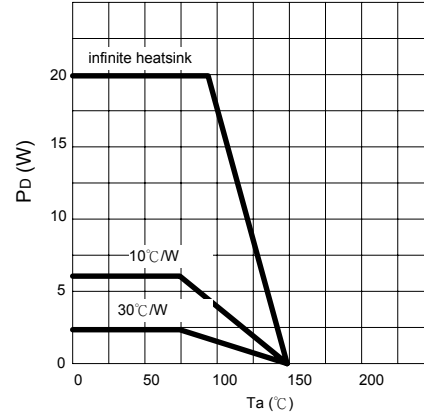


■ TYPICAL CHARACTERISTICS (Cont.)

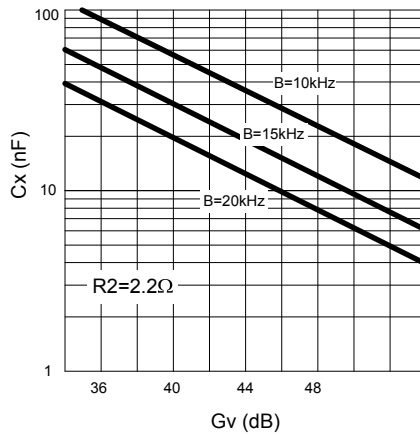
Maximum Power dissipation and supply voltage(sine wave operation)



Maximum allowable dissipation and ambient temperature



Typical values of capacitor(Cx) for different values of frequency response



UTC assumes no responsibility for equipment failures that result from using products at values that exceed, even momentarily, rated values (such as maximum ratings, operating condition ranges, or other parameters) listed in products specifications of any and all UTC products described or contained herein. UTC products are not designed for use in life support appliances, devices or systems where malfunction of these products can be reasonably expected to result in personal injury. Reproduction in whole or in part is prohibited without the prior written consent of the copyright owner. The information presented in this document does not form part of any quotation or contract, is believed to be accurate and reliable and may be changed without notice.