

**General Description**

The DECT-Analog Circuit is one of the devices of the Siemens chip set for the digital cordless telephone specified by the DECT standard.

The device designed for cordless handsets and cordless fixed stations is a highly integrated circuit and realizes the analog front end functions needed in such systems. The circuit contains an A/D- and a D/A converter and adjustable gain stages. Connection of microphone and earpiece is possible with a minimum of external components.

Furthermore the device generates the reference voltages for the A/D converter the TXDA output voltage stabilization and the LCD-display-driver modules integrated in the DECT-Digital Circuit.

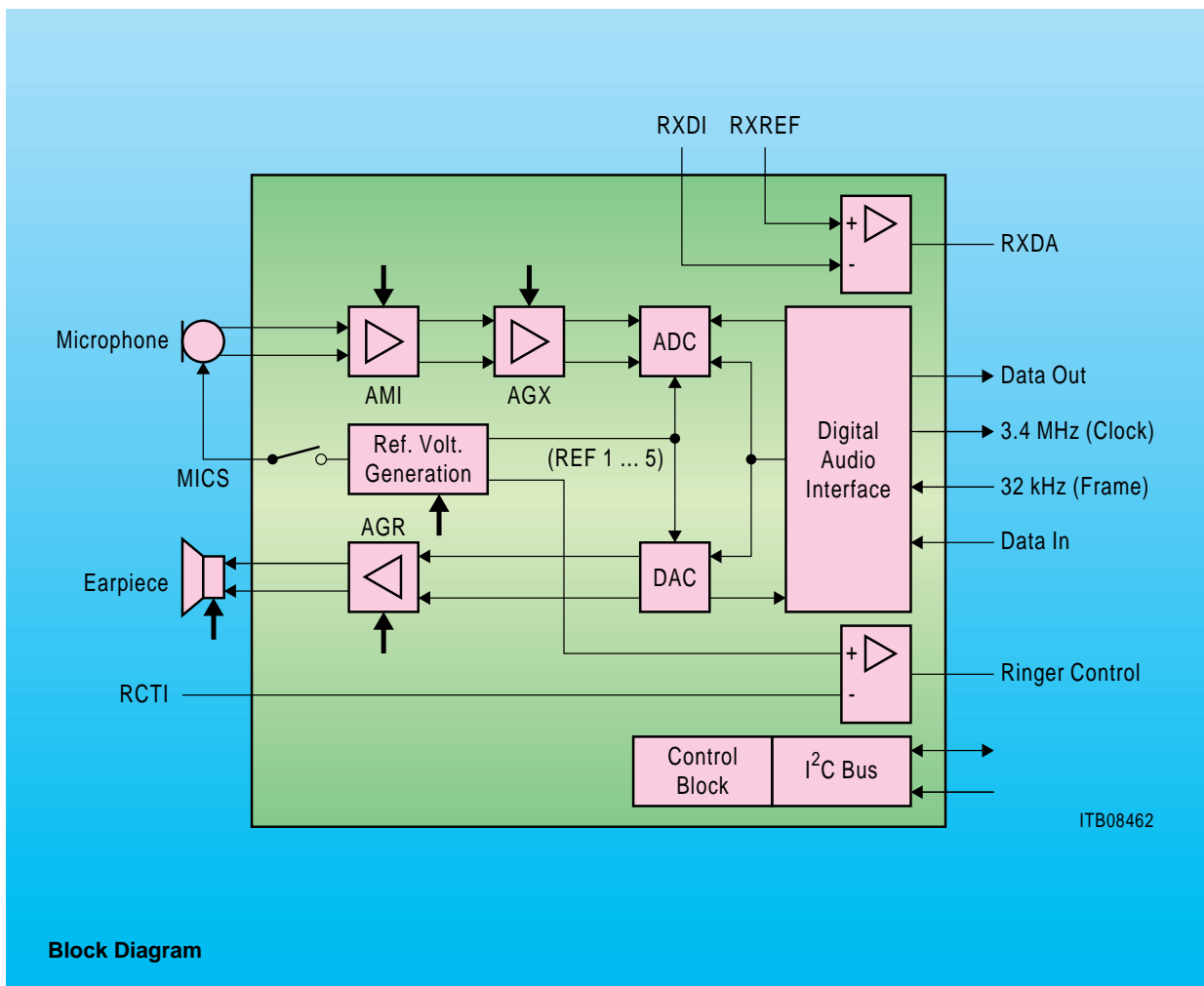
The reference voltages can be used together with external components and the PMB 27201, 27202, 27221, 27251, 27252 and 2728 for volume control of the ringer.

The device is fabricated using Siemens advanced AC MOS technology and will be available in a 24 pin package.

Type	Package
PMB 2920-S	P-SSOP-24-1 (Shrink, SMD)

**Features**

- High performance A/D- and D/A conversion
- Adjustable analog amplifiers
- Analog front end for direct connection of a handset mouth and earpiece
- On-chip microphone supply generation
- Power savings power-down and MUTE functions
- Comparator for preprocessing of the demodulated receive signal
- Reference voltage generation for on-chip A/D- and D/A converters and for the DECT-Digital Circuit
- Support of volume control of the tone ringer signal



**Block Diagram**