

General Description

The DECT-Digital Circuit for Handhelds is one of the devices of the Siemens chip set for the digital cordless telephone specified by the DECT standard.

The device designed for cordless handhelds is a highly integrated circuit and realizes most of the system functions needed in such an equipment.

The circuit contains a digital signal processor, an 8-bit 80C51-compatible microcontroller and the burst mode controller. Furthermore the circuit handles the interfacing of the different components of the DECT chipset and feature LCD controller.

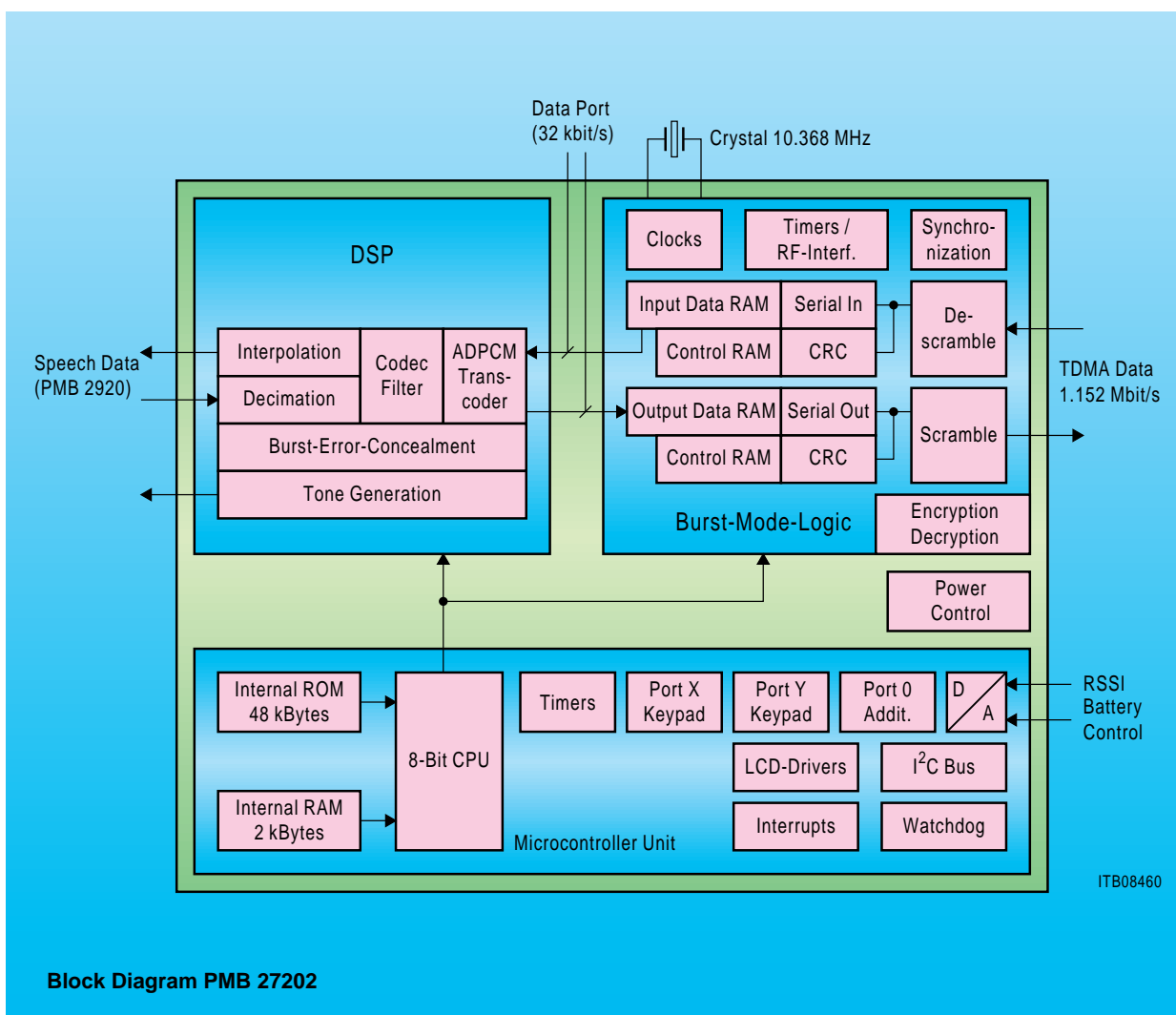
The device is fabricated using Siemens advanced CMOS technology and will be available in a 128 pin package.

Further baseband controllers are PMB 27221 (romless version with 4 K RAM).

Type	Package
PMB 27201/2	P-TQFP-128-1 (SMD)

Features

- 8-bit μ C with integrated ROM/RAM
- Integrated LCD controller
- 32-kbit/s ADPCM-transcoder
- Digital filtering and gain stages
- Burst mode controller
- Power-down mode programmable
- Low voltage detection
- Power supply 3.0 ... 5.1 V
- Low power consumption
- Advanced low power CMOS technology
- Encryption
- PMB 27201: 64 K ROM, 4 K RAM
- PMB 27202: 48 K ROM, 2 K RAM



Block Diagram PMB 27202