

**General Description**

The DECT-Digital Circuit for Basestations is one of the devices of the Siemens chip set for the digital cordless telephone specified by the DECT standard.

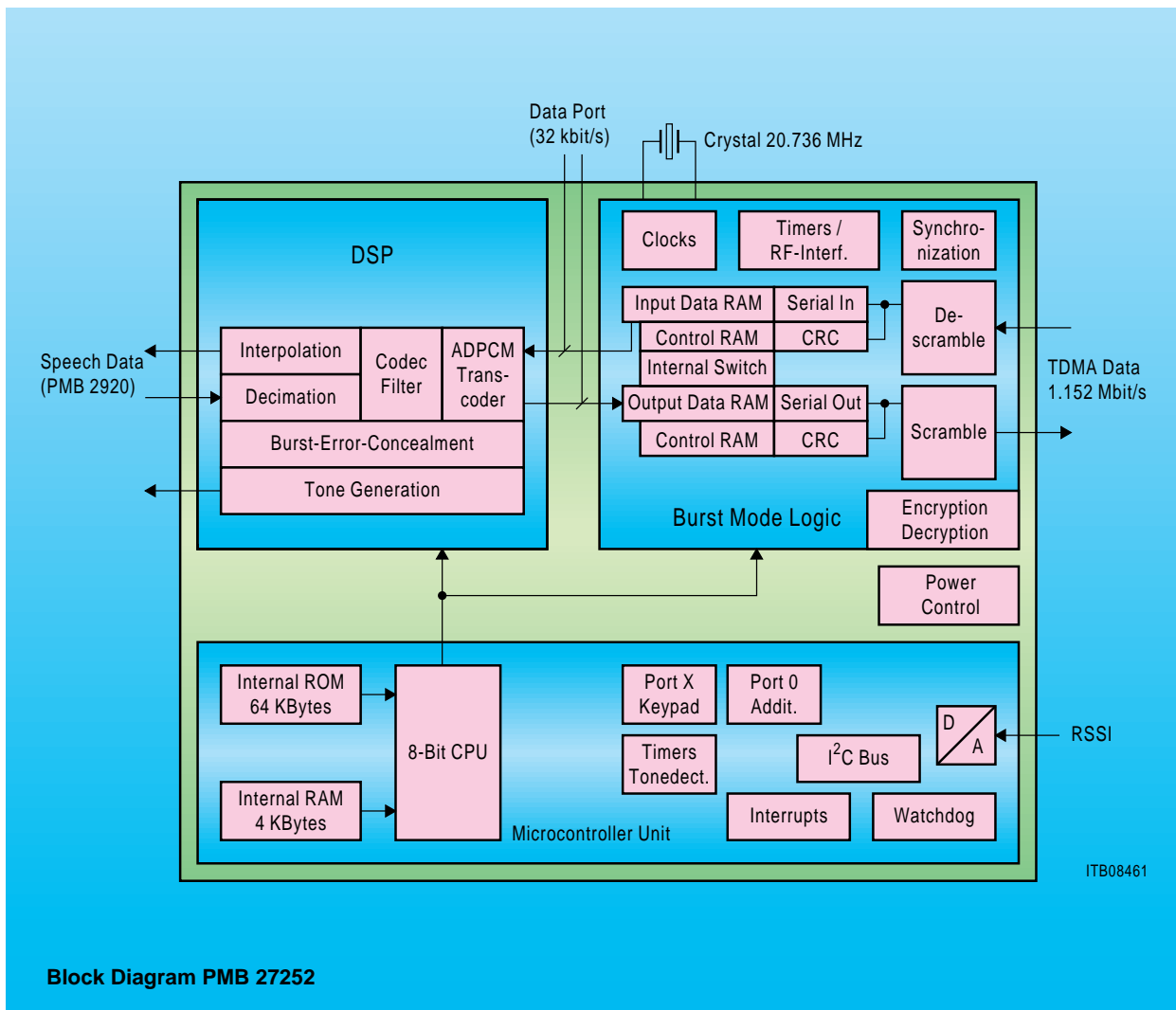
The device designed for single cordless fixed stations is a highly integrated circuit and realizes most of the system functions needed in such an equipment. The circuit contains a digital signal processor, an 8-bit 80C51-compatible microcontroller and the burst mode controller. Furthermore the circuit handles the interfacing of the different components of the DECT chipset.

The device is fabricated using Siemens advanced CMOS technology and will be available in a 128 pin package.

Type	Package
PMB 27251/2	P-TQFP-128-1 (SMD)

**Features**

- 8-bit  $\mu$ C with integrated ROM/RAM
- 32 bit/s ADPCM-transcoder
- Digital filtering and gain stages
- Echocancellation
- Burst mode controller
- Internal calls possible
- Power supply voltage:  $5\text{ V} \pm 5\%$
- Low power consumption
- Advanced low power CMOS technology
- Encryption
- PMB 27251: 6 K RAM
- PMB 27252: 64 K ROM, 4 K RAM



**Block Diagram PMB 27252**