

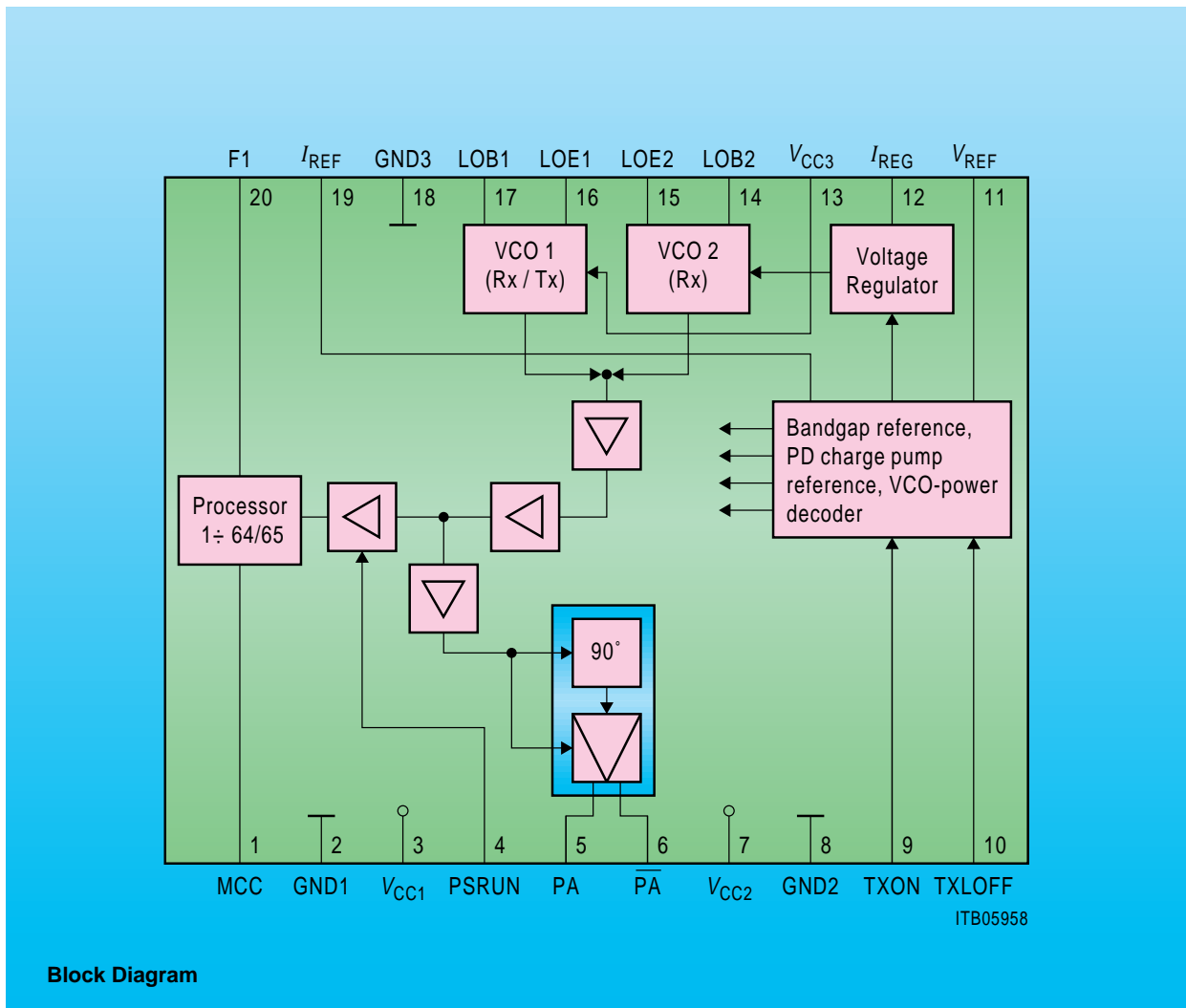
General Description

The PMB 2220 is a high speed analog bipolar IC and is one of the Siemens chipset for the Digital European Cordless Telephone. Combined with PLL (i.e. PMB 2306) and a power amplifier, the PMB 2220 device performs a complete DECT transmitter. Additionally the phase locked loop can be switched to receive mode and be used as a local oscillator for the receiver mixer of PMB 2420.

Type	Package
PMB 2220-S	P-SSOP-24-1 (Shrink, SMD)

Features

- Either single VCO operation (for receive and transmit) or dual VCO operation (one for receive and one for transmit) possible
- 64/65-prescaler on chip
- Frequency doubler for receive and transmit mode with balanced driver outputs
- Supply voltage regulator (with external pnp-transistor) for the two VCO's
- Power-down for the inactive VCO
- Current reference output for PLL charge pump to get constant lock-in time
- Wide power supply range 3.0 ... 5.5 V



Block Diagram