



## PMB24-115-4B PMB24-230-4B

### Features

Size:	120 x 120 x 38 mm (4.8" x 4.8" x 1.5")
Airflow:	24 CFM
Weight:	652 g (23 oz)
Noise:	53 dBA
Lead Wire:	20AWG
Impeller:	Reinforced Plastic (UL94V-0)
Frame:	Reinforced Plastic with Steel Plate
Bearings:	Sealed Ball



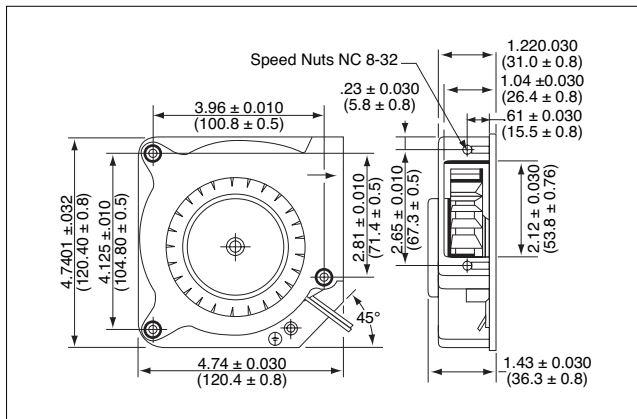
UL E101153

• RoHS Compliant

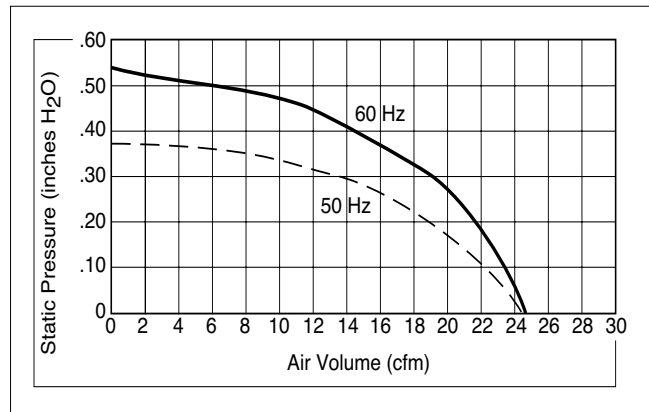


CSA LR62263

### Dimensions – inches (mm)



### Air Flow vs Air Pressure



### Performance

Type	Rated Voltage (V)	Operating Frequency (Hz)	Input Power (W) (@ 60 Hz)	Max Air Flow (CFM)	Max Air Pressure (In H <sub>2</sub> O)	Noise* (dBA)	Operating Temperature (°C)	Life Expectancy (Hr) (@ 70°C)
PMB24-115-4B	115	50/60	20	24	0.55	53	-10~ +70	20,000
PMB24-230-4B	230	50/60	20	24	0.55	53	-10~ +70	20,000

\*Measured 1 m from intake

Product specifications contained herein may be changed without prior notice. It is therefore advisable to contact Purdy Electronics before proceeding with the design of equipment incorporating this product.