

# TEA1733T; TEA1733LT

GreenChip SMPS control IC

Rev. 01 — 26 October 2009

Objective data sheet

## 1. General description

---

The TEA1733(L) is a low cost Switched Mode Power Supply (SMPS) controller IC intended for flyback topologies. The TEA1733(L) operates in fixed frequency mode. To reduce ElectroMagnetic Interference (EMI), frequency jitter has been implemented. For Continuous Conduction Mode (CCM) operation, slope compensation is integrated.

The TEA1733(L) IC features an OverPower Protection (OPP). The controller can be set to accept an overpower situation for a limited amount of time.

Two pins are reserved for protection purposes. Input UnderVoltage Protection (UVP) and OverVoltage Protection (OVP), output OVP and OverTemperature Protection (OTP) can be implemented with a minimal number of external components.

At low power levels the primary peak current is set to 25 % of the maximum peak current and the switching frequency is reduced to limit the switching losses. The combination of fixed frequency operation at high output power and frequency reduction at low output power provides high efficiency over the total load range.

The TEA1733(L) enables low cost, highly efficient and reliable supplies for power requirements up to 75 W to be designed easily and with a minimum number of external components.

## 2. Features

---

### 2.1 Features

- SMPS controller IC enabling low cost applications
- Large input voltage range (12 V to 30 V)
- Very low supply current during start-up and restart (typically 10  $\mu$ A)
- Low supply current during normal operation (typically 0.5 mA without load)
- Overpower or high/low line compensation
- Adjustable overpower time-out
- Adjustable overpower restart timer
- Fixed switching frequency with frequency jitter to reduce EMI
- Frequency reduction with fixed minimum peak current at low power operation to maintain high efficiency at low output power levels
- Slope compensation for CCM operation
- Low and adjustable OverCurrent Protection (OCP) trip level
- Adjustable soft start
- Two protection inputs (e.g. for input UVP and OVP, OTP and output OVP)
- IC overtemperature protection

### 3. Applications

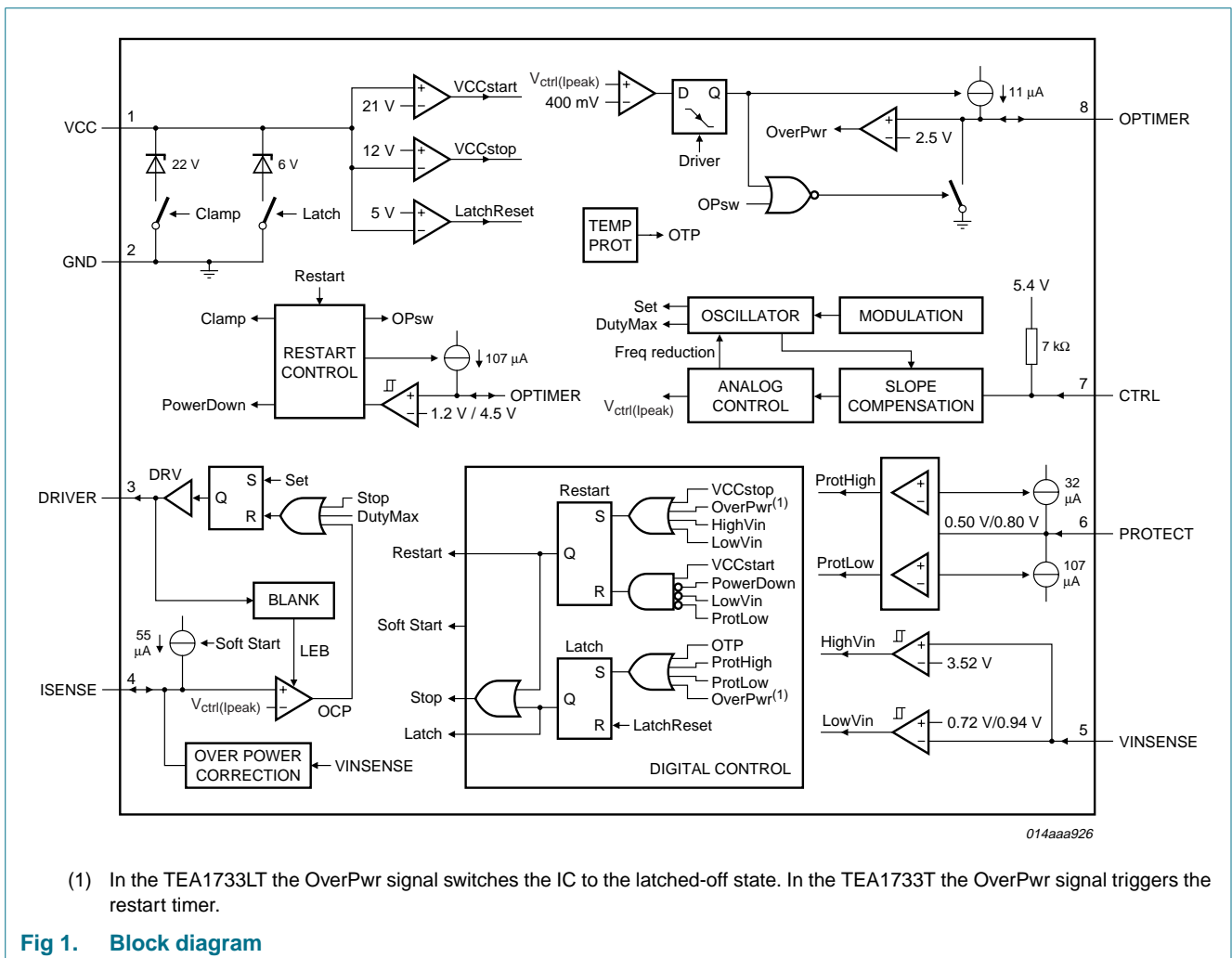
- The devices can be used in all applications that require an efficient and cost-effective power supply solution of up to 75 W.

### 4. Ordering information

Table 1. Ordering information

Type number	Package		Version
	Name	Description	
TEA1733T	SO8	plastic small outline package; 8 leads; body width 3.9 mm	SOT96-1
TEA1733LT	SO8	plastic small outline package; 8 leads; body width 3.9 mm	SOT96-1

### 5. Block diagram



## 6. Pinning information

### 6.1 Pinning

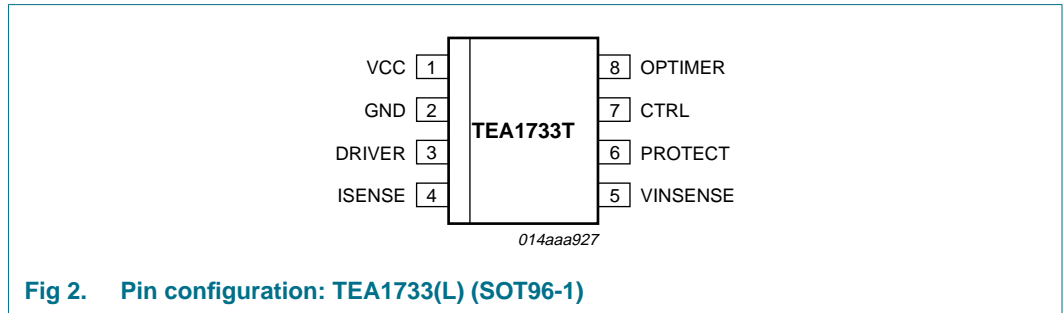


Fig 2. Pin configuration: TEA1733(L) (SOT96-1)

### 6.2 Pin description

Table 2. Pin description

Symbol	Pin	Description
VCC	1	supply voltage
GND	2	ground
DRIVER	3	gate driver output
ISENSE	4	current sense input
VINSENSE	5	input voltage protection input
PROTECT	6	general purpose protection input
CTRL	7	control input
OPTIMER	8	overpower and restart timer

## 7. Functional description

### 7.1 General control

The TEA1733(L) contains a controller for a flyback circuit. A typical configuration is shown in [Figure 3](#).

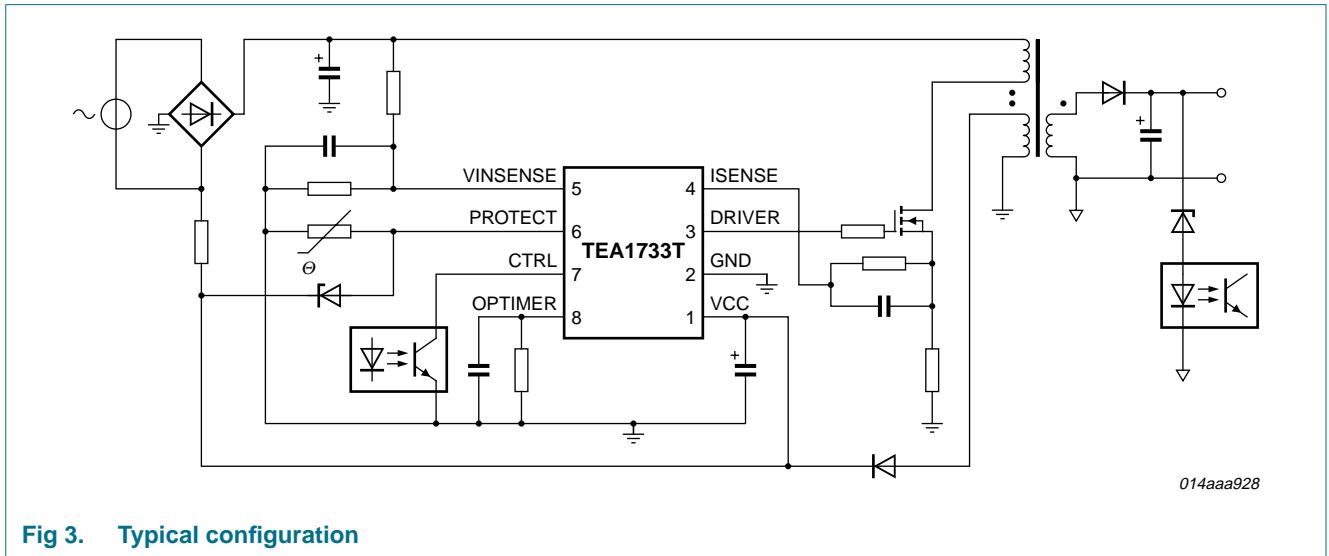


Fig 3. Typical configuration

### 7.2 Start-up and UnderVoltage LockOut (UVLO)

Initially the capacitor on the VCC pin is charged from the high voltage mains via a resistor.

As long as  $V_{CC}$  is below  $V_{start-up}$ , the IC current consumption is low (typically 10  $\mu A$ ). When  $V_{CC}$  reaches  $V_{start-up}$  the IC first waits for the VINSENSE pin to reach the  $V_{start(VINSENSE)}$  voltage and for the PROTECT pin to reach the  $V_{det(PROTECT)(L)}$  voltage. When both levels are reached, the IC charges the ISENSE pin to the  $V_{start(soft)}$  level and then starts switching. In a typical application the supply voltage is taken over by the auxiliary winding of the transformer.

If a protection is triggered the controller will stop switching. Depending on which protection is triggered and on the version of the IC (TEA1733T or TEA1733LT) the protection will cause a restart or will latch the converter to an off-state.

A restart caused by a protection will charge the OPTIMER pin to 4.5 V (typ.) rapidly. The TEA1733(L) will then enter the Power-down mode until the OPTIMER pin is discharged to 1.2 V (typ.). In Power-down mode, the IC consumes a very low supply current (10  $\mu A$  typ.) and the VCC pin will be clamped to 22 V (typ.) by an internal clamp circuit. A restart will be made when the voltage on pin OPTIMER drops below 1.2 V (typ.) and the VCC pin voltage is above the VCC start-up voltage (See [Figure 4](#)).

When a latched protection is triggered, the TEA1733(L) will enter Power-down mode immediately. The VCC pin will be clamped to a voltage just above the latch protection reset voltage ( $V_{rst(latch)} + 1 V$ ).

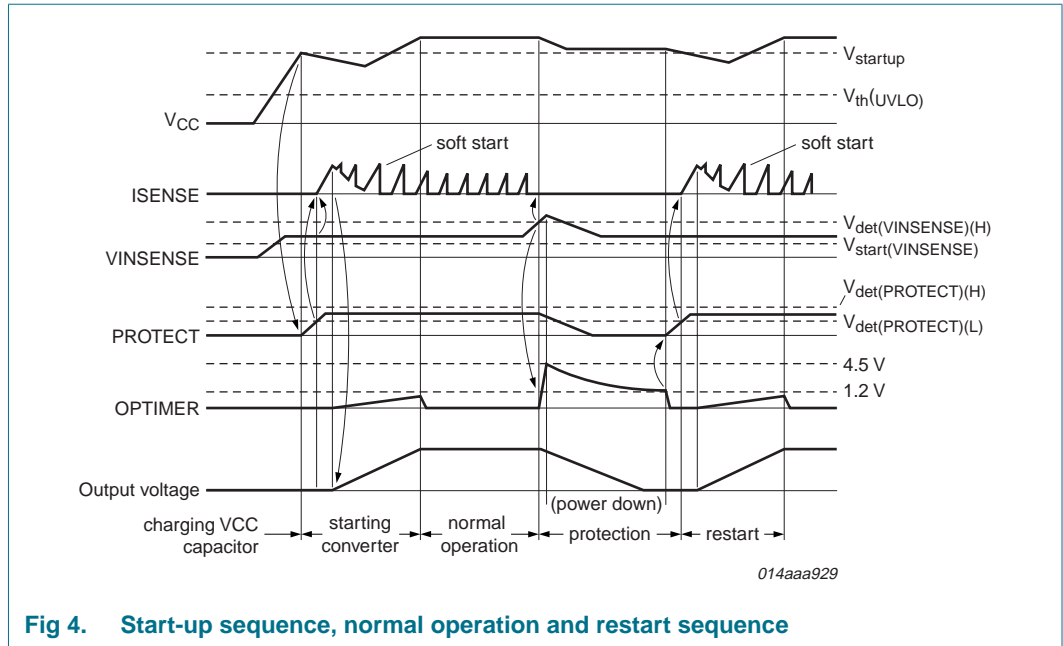


Fig 4. Start-up sequence, normal operation and restart sequence

When the voltage on pin VCC drops below the UVLO level during normal operation, the controller stops switching and enters Restart mode. In Restart mode the driver output is disabled and the VCC pin voltage is recharged via the resistor to the rectified mains.

### 7.3 Supply management

All internal reference voltages are derived from a temperature compensated on-chip band gap circuit. Internal reference currents are derived from a trimmed and temperature compensated current reference circuit.

### 7.4 Input voltage detection (VINSENSE pin)

In a typical application the mains input voltage can be detected by the VINSENSE pin. As long as the voltage on VINSENSE has not reached the  $V_{start(VINSENSE)}$  voltage (typically 0.93 V), switching is inhibited.

When during operation the VINSENSE voltage drops below  $V_{det(L)(VINSENSE)}$  (typically 0.72 V) or exceeds  $V_{det(H)(VINSENSE)}$  (typically 3.52 V), the converter stops switching and performs a restart.

If the pin is left open or disconnected, the pin is pulled up by the internal 20 nA (typ.) current source and subsequently the  $V_{det(H)(VINSENSE)}$  level is reached. This will then trigger a restart protection.

An internal clamp of 5.2 V (typ.) protects this pin from excessive voltages.

### 7.5 Protection input (PROTECT PIN)

The pin PROTECT is a general purpose input pin, which can be used to switch off the converter (latched protection). The converter is stopped as soon as the voltage on this pin is pulled above  $V_{det(H)(PROTECT)}$  (typically 0.8 V) or below  $V_{det(L)(PROTECT)}$  (typically 0.5 V). A current of 32  $\mu$ A (typ.) is flowing out of the chip when the pin voltage is  $V_{det(L)(PROTECT)}$ . A current of 107  $\mu$ A (typ.) is flowing into the chip when the pin voltage is  $V_{det(H)(PROTECT)}$ .

The PROTECT input can be used e.g. for creating an overvoltage detection and an OTP function.

A small capacitor can be connected to the pin if the protections on this pin are not used.

An internal clamp of 4.1 V (typ.) protects this pin from excessive voltages.

### 7.6 Duty cycle control (CTRL pin)

The output power of the converter is regulated by the CTRL pin. This pin is connected to an internal voltage source of 5 V via an internal resistor (typical resistance is 7 kΩ).

The CTRL pin voltage sets the maximum peak current which is measured via the ISENSE pin. (see Section 7.10) At low output power the switching frequency is also reduced. (see Section 7.12) The maximum duty cycle is limited to 72 % (typ).

### 7.7 Slope compensation (CTRL pin)

For CCM a slope compensation circuit is integrated. The slope compensation guarantees stable operation for duty cycles larger than 50 %.

### 7.8 Overpower timer (OPTIMER pin)

If the OPTIMER pin is connected to a capacitor a temporary overload situation is allowed. If  $V_{ctrl(Ipeak)}$  (see Figure 1) set by the CTRL pin is above 400 mV, a current of  $I_{IO(OPTIMER)}$  (10 μA typ.) is sourced from the OPTIMER pin. If the voltage on the OPTIMER pin reaches the  $V_{prot(OPTIMER)}$  voltage (2.5 V typ.) the OverPower Protection (OPP) is triggered. (see Figure 5)

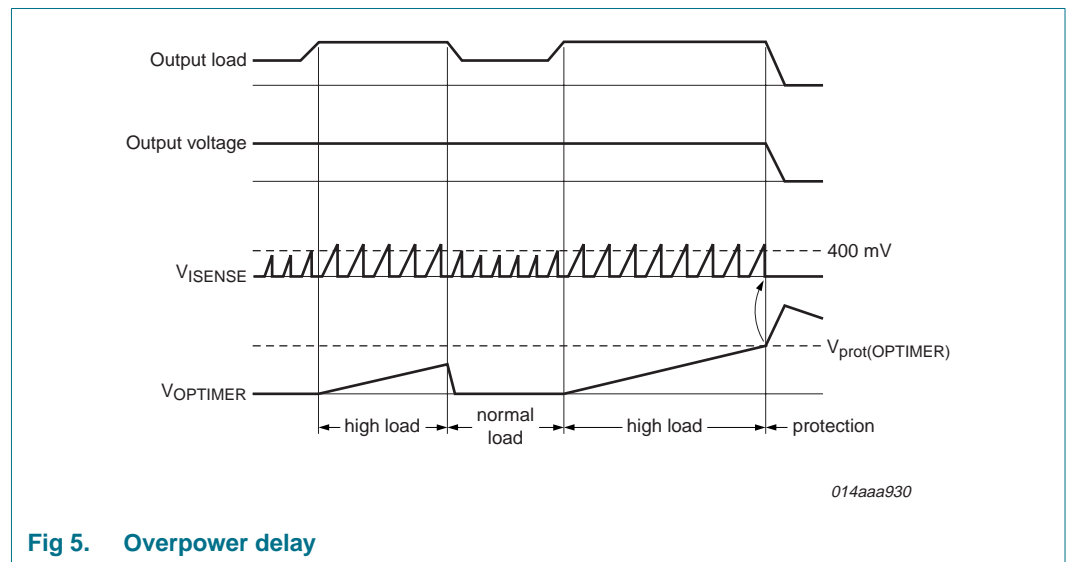


Fig 5. Overpower delay

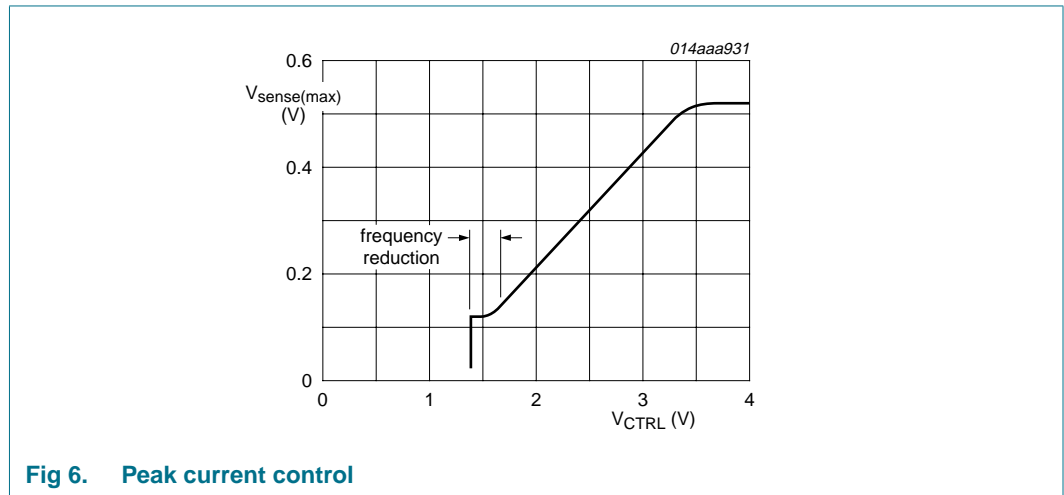
When the  $V_{prot(OPTIMER)}$  voltage is reached a restart will be made.

If the overload is removed before the  $V_{prot(OPTIMER)}$  voltage is reached, the converter will continue switching.

**7.9 Current mode control (ISENSE pin)**

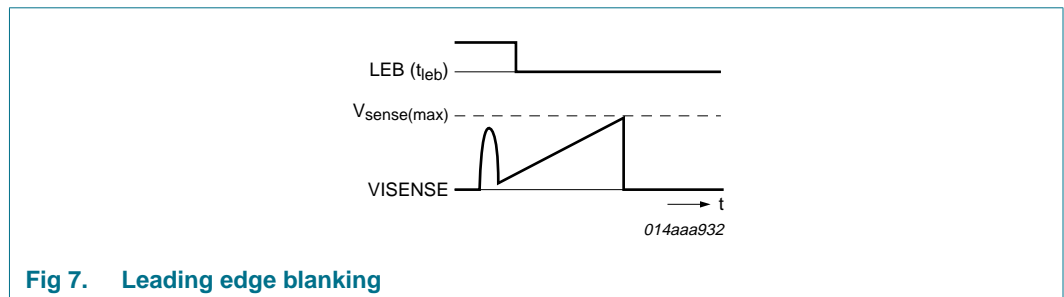
Current mode control is used for its good line regulation.

The primary current is sensed by the ISENSE pin across an external resistor and compared with an internal control voltage. The internal control voltage is proportional to the CTRL pin voltage. (see [Figure 6](#))



**Fig 6. Peak current control**

Leading edge blanking is added to prevent false triggering due to the capacitive discharge when switching on the external power switch. (see [Figure 7](#))



**Fig 7. Leading edge blanking**

**7.10 Overpower or high/low line compensation (VINSENSE and ISENSE pins)**

The overpower compensation function can be used to realize a maximum output power which is nearly constant over the full input mains.

The overpower compensation circuit measures the input voltage via the VINSENSE pin and outputs a current depending on this voltage on the ISENSE pin. The DC voltage across the soft start resistor will then limit the maximum peak current on the current sense resistor.

At low output power levels the overpower compensation circuit is switched off.

See [Figure 8](#).

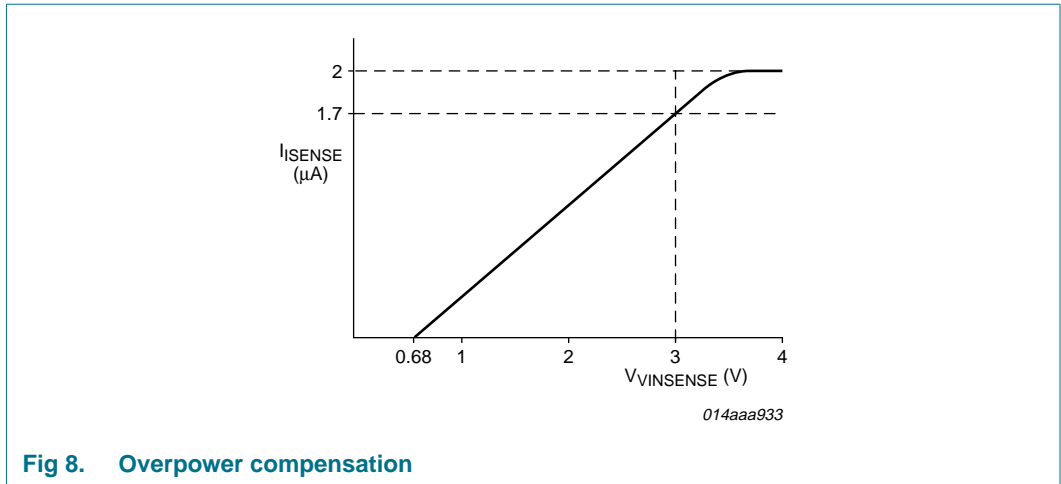


Fig 8. Overpower compensation

7.11 Soft start-up (ISENSE pin)

To prevent audible noise during start-up or restart, a soft start is made. Before the converter (re)starts, the soft start capacitor on the ISENSE pin is charged. When the converter (re)starts switching, the primary peak current increases slowly when the soft start capacitor discharges through the soft start resistor. (see also Figure 4)

The time constant of the soft start can be chosen by setting the soft start capacitor. The soft start resistor must also be taken into account, but this value is typically defined by the overpower compensation. (see Section 7.10)

7.12 Low power operation

In low power operation the switching losses are reduced by lowering the switching frequency. The switching frequency of the converter is reduced while the peak current is set to 25 % of the maximum peak current. (see Figure 6 and Figure 9)

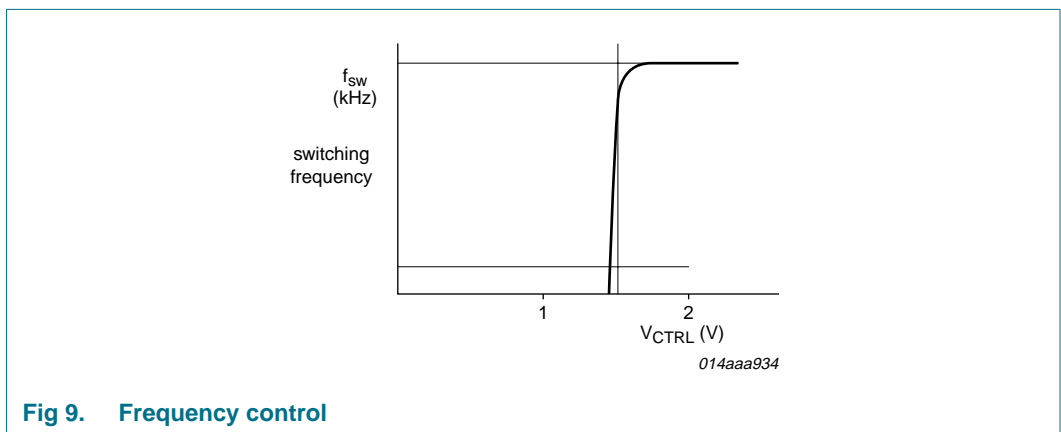


Fig 9. Frequency control

7.13 Driver (pin DRIVER)

The driver circuit to the gate of the power MOSFET has a current sourcing capability of typically  $-250$  mA and a current sink capability of typically  $750$  mA. This permits fast turn-on and turn-off of the power MOSFET for efficient operation.



### 7.14 OverTemperature Protection (OTP)

An accurate internal temperature protection is provided in the circuit. When the junction temperature exceeds the thermal shut-down temperature, the IC stops switching.

OTP is a latched protection. It can be reset by removing the voltage on pin VCC.

## 8. Limiting values

**Table 3. Limiting values**

*In accordance with the Absolute Maximum Rating System (IEC 60134).*

Symbol	Parameter	Conditions	Min	Max	Unit	
<b>Voltages</b>						
V <sub>CC</sub>	supply voltage	continuous	-0.4	+30	V	
		t < 100 ms	-	35	V	
V <sub>VINSENSE</sub>	voltage on pin VINSENSE	current limited	-0.4	+5.5	V	
V <sub>PROTECT</sub>	voltage on pin PROTECT	current limited	-0.4	+5	V	
V <sub>CTRL</sub>	voltage on pin CTRL		-0.4	+5	V	
V <sub>IO(OPTIMER)</sub>	input/output voltage on pin OPTIMER		-0.4	+5	V	
V <sub>ISENSE</sub>	voltage on pin ISENSE	current limited	-0.4	+5	V	
<b>Currents</b>						
I <sub>I(VINSENSE)</sub>	input current on pin VINSENSE		-1	+1	mA	
I <sub>I(PROTECT)</sub>	input current on pin PROTECT		-1	+1	mA	
I <sub>CTRL</sub>	current on pin CTRL		-3	0	mA	
I <sub>ISENSE</sub>	current on pin ISENSE		-10	+1	mA	
I <sub>DRIVER</sub>	current on pin DRIVER	δ < 10 %	-0.4	+1	A	
<b>General</b>						
P <sub>tot</sub>	total power dissipation	T <sub>amb</sub> < 75 °C	-	0.5	W	
T <sub>stg</sub>	storage temperature		-55	+150	°C	
T <sub>j</sub>	junction temperature		-40	+150	°C	
<b>ESD</b>						
V <sub>ESD</sub>	electrostatic discharge voltage	class 1				
		human body model	[1]	-	4000	V
		machine model	[2]	-	300	V
		charged device model		-	750	V

[1] Equivalent to discharging a 100 pF capacitor through a 1.5 kΩ series resistor.

[2] Equivalent to discharging a 200 pF capacitor through a 0.75 μH coil and a 10 Ω resistor.

## 9. Thermal characteristics

**Table 4. Thermal characteristics**

Symbol	Parameter	Conditions	Typ	Unit
$R_{th(j-a)}$	thermal resistance from junction to ambient	in free air; JEDEC test board	150	K/W
$R_{th(j-c)}$	thermal resistance from junction to case	in free air; JEDEC test board	79	K/W

## 10. Characteristics

**Table 5. Characteristics**

$T_{amb} = 25\text{ }^{\circ}\text{C}$ ;  $V_{CC} = 20\text{ V}$ ; all voltages are measured with respect to ground (pin 6); currents are positive when flowing into the IC; unless otherwise specified.

Symbol	Parameter	Conditions	Min	Typ	Max	Unit
<b>Supply voltage management (pin V<sub>CC</sub>)</b>						
$V_{startup}$	start-up voltage		18.6	20.6	22.6	V
$V_{th(UVLO)}$	undervoltage lockout threshold voltage		11.2	12.2	13.2	V
$V_{clamp(VCC)}$	clamp voltage on pin VCC	activated during restart	-	$V_{startup} + 1$	-	V
		activated during latched protection	-	$V_{rst(latch)} + 1$	-	V
$V_{hys}$	hysteresis voltage	$V_{startup} - V_{th(UVLO)}$	8	9	10	V
$I_{CC(startup)}$	start-up supply current	$V_{CC} < V_{startup}$	5	10	15	$\mu\text{A}$
$I_{CC(oper)}$	operating supply current	no load on pin DRIVER	0.4	0.5	0.6	mA
$V_{rst(latch)}$	latched reset voltage		4	5	6	V
<b>Input voltage sensing (pin VINSENSE)</b>						
$V_{start(VINSENSE)}$	start voltage on pin VINSENSE	detection level	0.89	0.94	0.99	V
$V_{det(L)(VINSENSE)}$	LOW-level detection voltage on pin VINSENSE		0.68	0.72	0.76	V
$V_{det(H)(VINSENSE)}$	HIGH-level detection voltage on pin VINSENSE		3.39	3.52	3.65	V
$I_O(VINSENSE)$	output current on pin VINSENSE		-	-20	-	nA
$V_{clamp(VINSENSE)}$	clamp voltage on pin VINSENSE	$I_{I(VINSENSE)} = 50\text{ }\mu\text{A}$	-	5.2	-	V
<b>Protection input (pin PROTECT)</b>						
$V_{det(L)(PROTECT)}$	LOW-level detection voltage on pin PROTECT		0.47	0.50	0.53	V
$V_{det(H)(PROTECT)}$	HIGH-level detection voltage on pin PROTECT		0.75	0.8	0.85	V

**Table 5. Characteristics ...continued**

$T_{amb} = 25\text{ }^{\circ}\text{C}$ ;  $V_{CC} = 20\text{ V}$ ; all voltages are measured with respect to ground (pin 6); currents are positive when flowing into the IC; unless otherwise specified.

Symbol	Parameter	Conditions	Min	Typ	Max	Unit
$I_{O(\text{PROTECT})}$	output current on pin PROTECT	$V_{V\text{INSENSE}} = V_{\text{low}(\text{PROTECT})}$	-34	-32	-30	$\mu\text{A}$
		$V_{V\text{INSENSE}} = V_{\text{high}(\text{PROTECT})}$	87	107	127	$\mu\text{A}$
$V_{\text{clamp}(\text{PROTECT})}$	clamp voltage on pin PROTECT	$I_{I(\text{PROTECT})} = 200\text{ }\mu\text{A}$	[1] 3.5	4.1	4.7	V
<b>Peak current control (pin CTRL)</b>						
$V_{\text{CTRL}}$	voltage on pin CTRL	for minimum flyback peak current	1.5	1.8	2.1	V
		for maximum flyback peak current	3.4	3.9	4.3	V
$R_{\text{int}(\text{CTRL})}$	internal resistance on pin CTRL		5	7	9	$\text{k}\Omega$
$I_{O(\text{CTRL})}$	output current on pin CTRL	$V_{\text{CTRL}} = 1.4\text{ V}$	-0.7	-0.5	-0.3	mA
		$V_{\text{CTRL}} = 3.7\text{ V}$	-0.28	-0.2	-0.12	mA
<b>Pulse width modulator</b>						
$f_{\text{osc}}$	oscillator frequency		62	66.5	71	kHz
$f_{\text{mod}}$	modulation frequency		210	280	350	Hz
$\Delta f_{\text{mod}}$	modulation frequency variation		$\pm 3$	$\pm 4$	$\pm 5$	kHz
$\delta_{\text{max}}$	maximum duty cycle		68.5	72	79	%
$V_{\text{start}(\text{red})f}$	frequency reduction start voltage	pin CTRL	1.5	1.8	2.1	V
$V_{\delta(\text{zero})}$	zero duty cycle voltage	pin CTRL	1.25	1.55	1.85	V
<b>Overpower protection (pin OPTIMER)</b>						
$V_{\text{prot}(\text{OPTIMER})}$	protection voltage on pin OPTIMER		2.4	2.5	2.6	V
$I_{\text{prot}(\text{OPTIMER})}$	protection current on pin OPTIMER	no overpower situation	100	150	200	$\mu\text{A}$
		overpower situation	-12.2	-10.7	-9.2	$\mu\text{A}$
<b>Restart timer (pin OPTIMER)</b>						
$V_{\text{restart}(\text{OPTIMER})}$	restart voltage on pin OPTIMER	low level	0.8	1.2	1.6	V
		high level	4.1	4.5	4.9	V
$I_{\text{restart}(\text{OPTIMER})}$	restart current on pin OPTIMER	charging OPTIMER capacitor	-127	-107	-87	$\mu\text{A}$
		discharging OPTIMER capacitor	-0.1	0	0.1	$\mu\text{A}$
<b>Current sense (pin ISENSE)</b>						
$V_{\text{sense}(\text{max})}$	maximum sense voltage	$\Delta V/\Delta t = 50\text{ mV}/\mu\text{s}$ ; $V_{V\text{INSENSE}} = 0.78\text{ V}$	0.48	0.51	0.54	V
		$\Delta V/\Delta t = 200\text{ mV}/\mu\text{s}$ ; $V_{V\text{INSENSE}} = 0.78\text{ V}$	0.50	0.53	0.56	V
$V_{\text{th}(\text{sense})\text{opp}}$	overpower protection sense threshold voltage		370	400	430	mV
$\Delta V_{\text{ISENSE}}/\Delta t$	slope compensation voltage on pin ISENSE		17	25	33	$\text{mV}/\mu\text{s}$

**Table 5. Characteristics ...continued**

$T_{amb} = 25\text{ }^{\circ}\text{C}$ ;  $V_{CC} = 20\text{ V}$ ; all voltages are measured with respect to ground (pin 6); currents are positive when flowing into the IC; unless otherwise specified.

Symbol	Parameter	Conditions	Min	Typ	Max	Unit
$t_{leb}$	leading edge blanking time		250	300	350	ns
<b>Overpower compensation (pin VINSENSE and pin ISENSE)</b>						
$I_{opc(ISENSE)}$	overpower compensation current on pin ISENSE	$V_{VINSENSE} = 1\text{ V}$ ; $V_{sense(max)} > 400\text{ mV}$	-	0.28	-	$\mu\text{A}$
		$V_{VINSENSE} = 3\text{ V}$ ; $V_{sense(max)} > 400\text{ mV}$	-	1.7	-	$\mu\text{A}$
<b>Soft start (pin ISENSE)</b>						
$I_{start(soft)}$	soft start current		-63	-55	-47	$\mu\text{A}$
$V_{start(soft)}$	soft start voltage	$V_{CTRL} = 4\text{ V}$ ; enable voltage	-	$V_{sense(max)}$	-	V
$R_{start(soft)}$	soft start resistance		12	-	-	$\text{k}\Omega$
<b>Driver (pin DRIVER)</b>						
$I_{source(DRIVER)}$	source current on pin DRIVER	$V_{DRIVER} = 2\text{ V}$	-	-0.3	-0.25	A
$I_{sink(DRIVER)}$	sink current on pin DRIVER	$V_{DRIVER} = 2\text{ V}$	0.25	0.3	-	A
		$V_{DRIVER} = 10\text{ V}$	0.6	0.75	-	A
$V_{O(DRIVER)max}$	maximum output voltage on pin DRIVER		9	10.5	12	V
<b>Temperature protection</b>						
$T_{pl(IC)}$	IC protection level temperature		130	140	150	$^{\circ}\text{C}$

[1] The clamp voltage on the PROTECT pin is lowered when the IC is in power-down. (latched or restart protection)

## 11. Application information

A power supply with the TEA1733(L) is a flyback converter operating in Continuous conduction mode. See [Figure 10](#).

Capacitor C5 buffers the IC supply voltage, which is powered via R3 for start-up and via the auxiliary winding during normal operation. Sense resistor R9 converts the current through the MOSFET S1 into a voltage at pin 4 (ISENSE). The values of R9 defines the maximum primary peak current in MOSFETs S1.

In the example given, the PROTECT pin (pin 6) is used for OVP and OTP. The OVP level is set by Z1 to  $V_{CC} = 25.8$  V. The OTP level is set by Negative Temperature Coefficient (NTC) resistor R4. The VINSENSE pin (pin 5) is used for mains voltage detection and R1 and R2 set the start voltage to about 80 V (AC). The overpower protection time, defined by C4, is set to 60 ms.

The restart time, defined by C4 and R8, is set to 0.5 s.

R6 and C6 define the soft start time. R5 is added to prevent the soft start capacitor from being charged during normal operation due to negative voltage spikes across the current sense resistor R9.

C3 is added to reduce the noise on the CTRL pin. R7 reduces the peak current to C5.

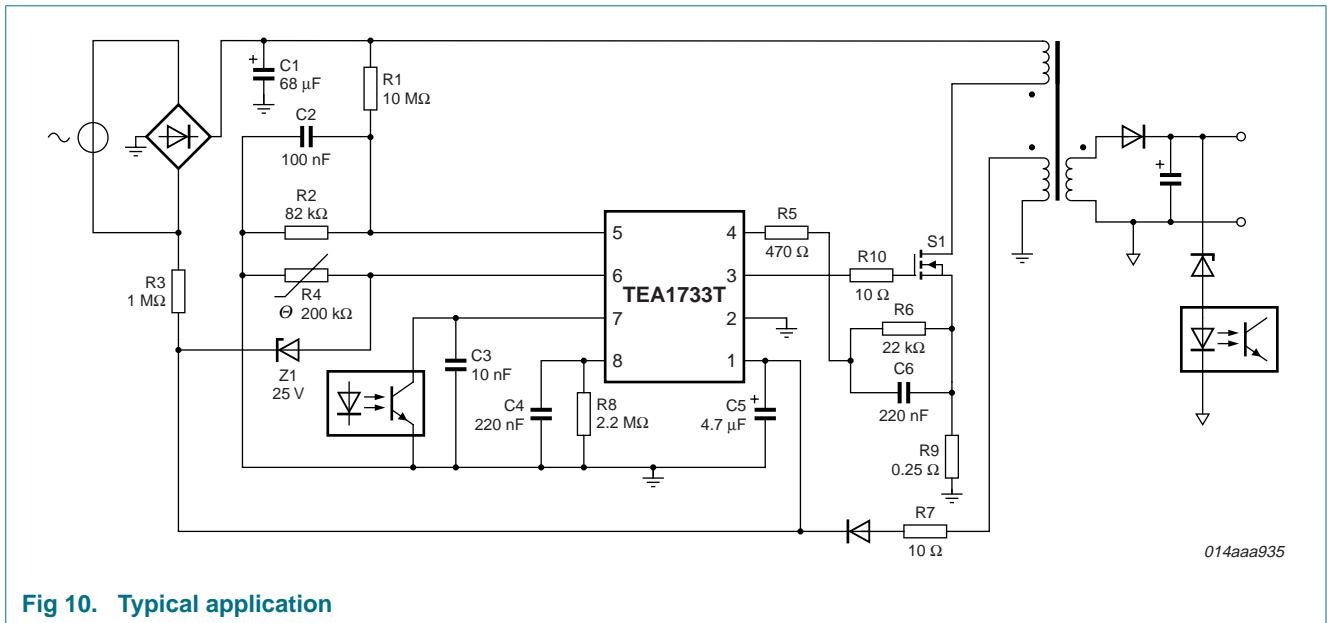


Fig 10. Typical application

12. Package outline

SO8: plastic small outline package; 8 leads; body width 3.9 mm

SOT96-1

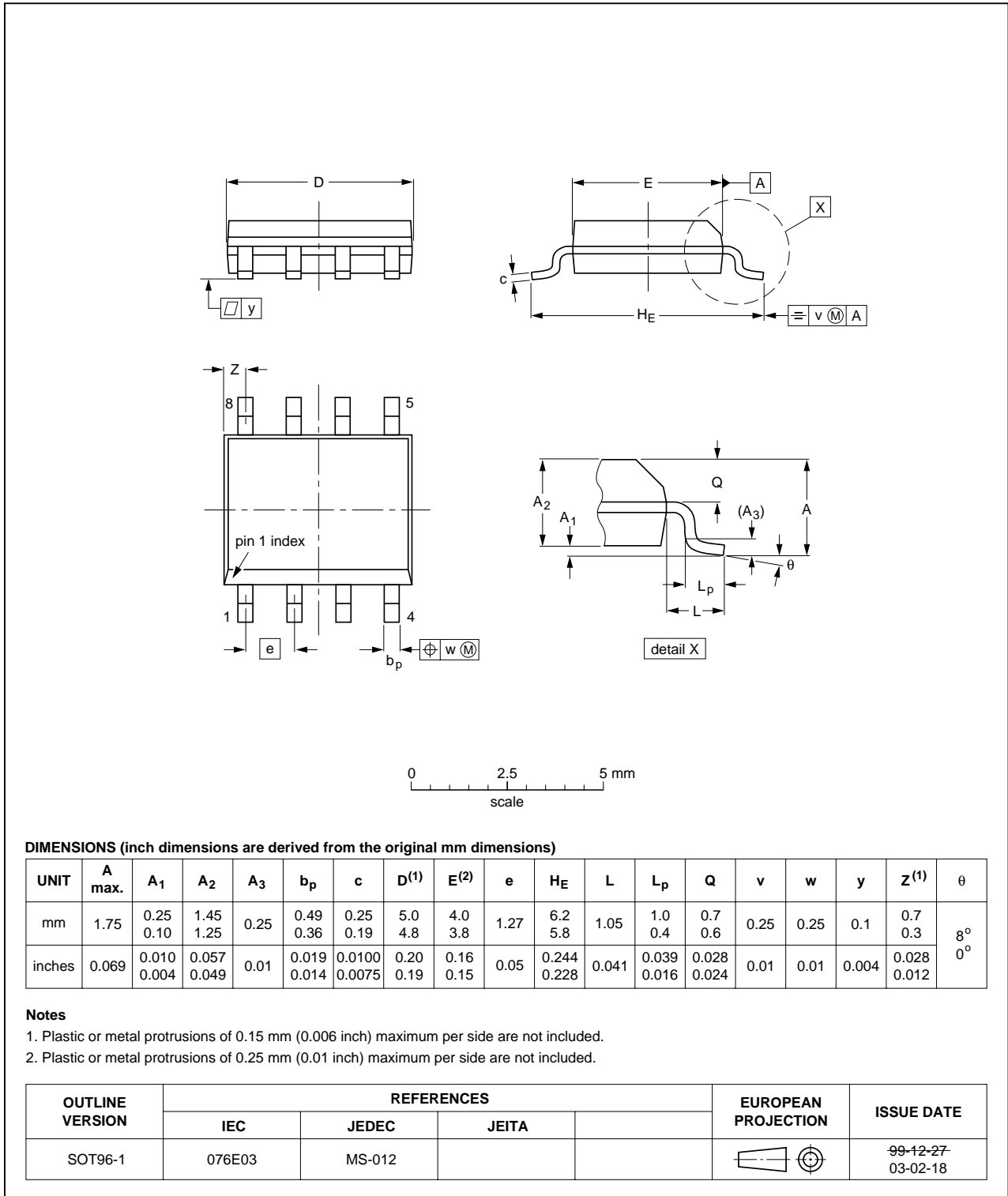


Fig 11. Package outline SOT109-1 (SO16)

## 13. Revision history

Table 6. Revision history

Document ID	Release date	Data sheet status	Change notice	Supersedes
TEA1733T_TEA1733LT_1	20091026	Objective data sheet	-	-

## 14. Legal information

### 14.1 Data sheet status

Document status <sup>[1][2]</sup>	Product status <sup>[3]</sup>	Definition
Objective [short] data sheet	Development	This document contains data from the objective specification for product development.
Preliminary [short] data sheet	Qualification	This document contains data from the preliminary specification.
Product [short] data sheet	Production	This document contains the product specification.

[1] Please consult the most recently issued document before initiating or completing a design.

[2] The term 'short data sheet' is explained in section "Definitions".

[3] The product status of device(s) described in this document may have changed since this document was published and may differ in case of multiple devices. The latest product status information is available on the Internet at URL <http://www.nxp.com>.

### 14.2 Definitions

**Draft** — The document is a draft version only. The content is still under internal review and subject to formal approval, which may result in modifications or additions. NXP Semiconductors does not give any representations or warranties as to the accuracy or completeness of information included herein and shall have no liability for the consequences of use of such information.

**Short data sheet** — A short data sheet is an extract from a full data sheet with the same product type number(s) and title. A short data sheet is intended for quick reference only and should not be relied upon to contain detailed and full information. For detailed and full information see the relevant full data sheet, which is available on request via the local NXP Semiconductors sales office. In case of any inconsistency or conflict with the short data sheet, the full data sheet shall prevail.

### 14.3 Disclaimers

**General** — Information in this document is believed to be accurate and reliable. However, NXP Semiconductors does not give any representations or warranties, expressed or implied, as to the accuracy or completeness of such information and shall have no liability for the consequences of use of such information.

**Right to make changes** — NXP Semiconductors reserves the right to make changes to information published in this document, including without limitation specifications and product descriptions, at any time and without notice. This document supersedes and replaces all information supplied prior to the publication hereof.

**Suitability for use** — NXP Semiconductors products are not designed, authorized or warranted to be suitable for use in medical, military, aircraft, space or life support equipment, nor in applications where failure or malfunction of an NXP Semiconductors product can reasonably be expected to result in personal injury, death or severe property or environmental

damage. NXP Semiconductors accepts no liability for inclusion and/or use of NXP Semiconductors products in such equipment or applications and therefore such inclusion and/or use is at the customer's own risk.

**Applications** — Applications that are described herein for any of these products are for illustrative purposes only. NXP Semiconductors makes no representation or warranty that such applications will be suitable for the specified use without further testing or modification.

**Limiting values** — Stress above one or more limiting values (as defined in the Absolute Maximum Ratings System of IEC 60134) may cause permanent damage to the device. Limiting values are stress ratings only and operation of the device at these or any other conditions above those given in the Characteristics sections of this document is not implied. Exposure to limiting values for extended periods may affect device reliability.

**Terms and conditions of sale** — NXP Semiconductors products are sold subject to the general terms and conditions of commercial sale, as published at <http://www.nxp.com/profile/terms>, including those pertaining to warranty, intellectual property rights infringement and limitation of liability, unless explicitly otherwise agreed to in writing by NXP Semiconductors. In case of any inconsistency or conflict between information in this document and such terms and conditions, the latter will prevail.

**No offer to sell or license** — Nothing in this document may be interpreted or construed as an offer to sell products that is open for acceptance or the grant, conveyance or implication of any license under any copyrights, patents or other industrial or intellectual property rights.

**Export control** — This document as well as the item(s) described herein may be subject to export control regulations. Export might require a prior authorization from national authorities.

### 14.4 Trademarks

Notice: All referenced brands, product names, service names and trademarks are the property of their respective owners.

**GreenChip** — is a trademark of NXP B.V.

## 15. Contact information

For more information, please visit: <http://www.nxp.com>

For sales office addresses, please send an email to: [salesaddresses@nxp.com](mailto:salesaddresses@nxp.com)



16. Contents

1 General description . . . . . 1

2 Features . . . . . 1

2.1 Features . . . . . 1

3 Applications . . . . . 2

4 Ordering information . . . . . 2

5 Block diagram . . . . . 2

6 Pinning information . . . . . 3

6.1 Pinning . . . . . 3

6.2 Pin description . . . . . 3

7 Functional description . . . . . 4

7.1 General control . . . . . 4

7.2 Start-up and UnderVoltage LockOut (UVLO) . . . . . 4

7.3 Supply management . . . . . 5

7.4 Input voltage detection (VINSENSE pin) . . . . . 5

7.5 Protection input (PROTECT PIN) . . . . . 5

7.6 Duty cycle control (CTRL pin) . . . . . 6

7.7 Slope compensation (CTRL pin) . . . . . 6

7.8 Overpower timer (OPTIMER pin) . . . . . 6

7.9 Current mode control (ISENSE pin) . . . . . 7

7.10 Overpower or high/low line compensation (VINSENSE and ISENSE pins) . . . . . 7

7.11 Soft start-up (ISENSE pin) . . . . . 8

7.12 Low power operation . . . . . 8

7.13 Driver (pin DRIVER) . . . . . 8

7.14 OverTemperature Protection (OTP) . . . . . 9

8 Limiting values . . . . . 9

9 Thermal characteristics . . . . . 10

10 Characteristics . . . . . 10

11 Application information . . . . . 13

12 Package outline . . . . . 14

13 Revision history . . . . . 15

14 Legal information . . . . . 16

14.1 Data sheet status . . . . . 16

14.2 Definitions . . . . . 16

14.3 Disclaimers . . . . . 16

14.4 Trademarks . . . . . 16

15 Contact information . . . . . 16

16 Contents . . . . . 17

Please be aware that important notices concerning this document and the product(s) described herein, have been included in section 'Legal information'.



© NXP B.V. 2009. All rights reserved.

For more information, please visit: <http://www.nxp.com>  
 For sales office addresses, please send an email to: [salesaddresses@nxp.com](mailto:salesaddresses@nxp.com)

Date of release: 26 October 2009  
 Document identifier: TEA1733T\_TEA1733LT\_1