

## HIGH TEMPERATURE ANALOG MULTIPLEXERS HT506/507 16-CHANNEL SINGLE / 8-CHANNEL DUAL

### FEATURES

- Specified Over -55 to +225°C
- Break-Before-Make Switching
- No Latch-up
- On Resistance 400Ω at 225°C
- 8-Channel Leakage 1.2μA at 225°C
- Split and Single Supply Capability

### APPLICATIONS

- Down-Hole Oil Well
- Avionics
- Turbine Engine Control
- Industrial Process Control
- Nuclear Reactor
- Electric Power Conversion
- Heavy Duty Internal Combustion Engines

### GENERAL DESCRIPTION

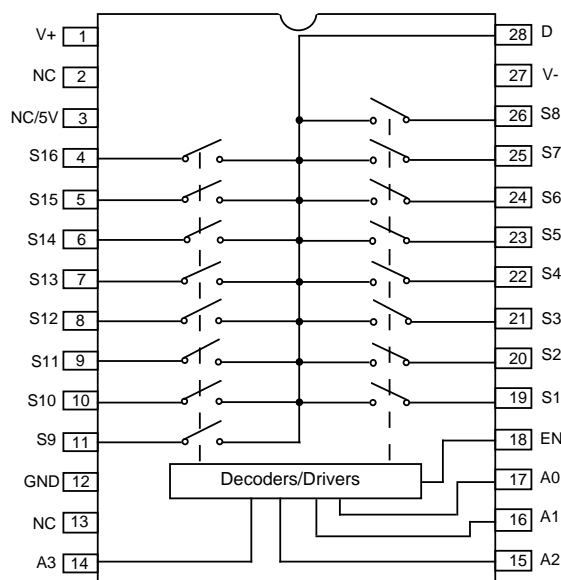
The HT506/507 monolithic multiplexers consist of sixteen analog switches, 4-bit decode for channel selection, reference for logic switching thresholds, and enable pin for device deactivation where applications require. These multiplexers are fabricated with Honeywell's dielectrically isolated latch-up free high temperature (HTMOS™) linear process.

Performance is specified over the full -55 to +225°C temperature range. Typically, parts will operate up to

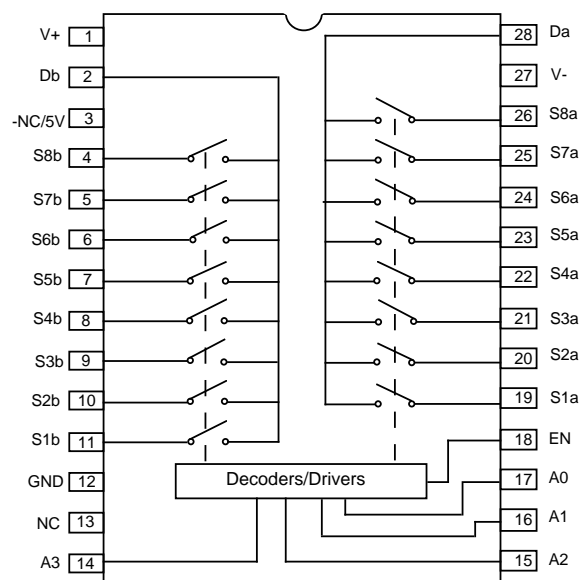
+300°C for a year, with derated performance. All parts are burned in at 250°C to eliminate infant mortality.

The input buffers are designed to operate from either TTL or CMOS levels while providing a break-before-make action. The HT506 switches one of sixteen inputs to a common output, while the HT507 switches one of eight differential inputs to a differential output. These parts are available in standard pinout 28-pin DIPs.

#### PACKAGE PINOUT HT506



#### PACKAGE PINOUT HT507



# HT506/507

## ELECTRICAL CHARACTERISTICS (Split Supply)

Temperature range -55 to +225°C, typical @ +25°C, V+ = +5V, V- = -5 V, V<sub>IL</sub> = 0.8 V, V<sub>IH</sub> = 2.4V, unless otherwise specified

Symbol	Parameter	Test Conditions	Typ (1)	Worst Case (2)		Unit
				Min	Max	
<b>Analog Switch</b>						
V <sub>ANALOG</sub>	Analog Signal Range			-5	5	V
r <sub>DS(ON)</sub>	Drain-Source On-Resistance	V <sub>D</sub> ±5 V, I <sub>S</sub> = -10 mA Sequence Each Switch On	100		400	Ω
Δr <sub>DS(ON)</sub>	r <sub>DS(ON)</sub> Matching between Channels	V <sub>D</sub> = ±5 V	2			%
I <sub>S(OFF)</sub>	Source Off Leakage Current	V <sub>EN</sub> = 0 V	0.01		125	nA
I <sub>D(OFF)</sub>	Drain Off Leakage Current	V <sub>D</sub> = ±0.5 V, V <sub>EN</sub> = 0 V, V <sub>S</sub> = ±5 V	0.04	-2500	2500	nA
I <sub>D(ON)</sub>	Drain On Leakage Current	Sequence Each Switch On	0.04	-2500	2500	nA
<b>Digital Control</b>						
V <sub>IH</sub>	Logic High Input Voltage			2.4		V
V <sub>IL</sub>	Logic Low Input Voltage		0.8			V
I <sub>IH</sub>	Logic High Input Current	V <sub>A</sub> = 2.4 V, 10 V		-1	1	μA
I <sub>IL</sub>	Logic Low Input Current	V <sub>EN</sub> = 0 V, 2.4 V, V <sub>A</sub> = 0 V		-1	1	μA
C <sub>IN</sub>	Logic input Capacitance	f = 1MHz	7			pF
<b>Dynamic Characteristics</b>						
t <sub>ON</sub>	Address/Enable Turn-On Time	trise/tfall<50ns		100	400	ns
t <sub>OFF</sub>	Address/Enable Turn-Off Time	trise/tfall<50ns		30	200	ns
Q	Charge Injection	C <sub>L</sub> = 1 nF, V <sub>S</sub> = 0 V, R <sub>S</sub> = 0Ω	TBD			pC
O <sub>IS</sub>	Off Isolation	V <sub>EN</sub> = 0 V, R <sub>L</sub> = 1kΩ, f = 100kHz	TBD			dB
C <sub>S(OFF)</sub>	Source Off Capacitance	V <sub>EN</sub> = 0 V, V <sub>S</sub> = 0 V, f = 1MHz	TBD			pF
C <sub>D(OFF)</sub>	Drain Off Capacitance	V <sub>EN</sub> = 0 V, V <sub>D</sub> = 0 V f = 1MHz	HT506 HT507	TBD		pF
C <sub>D(ON)</sub>	Drain On Capacitance	V <sub>EN</sub> = 0 V, V <sub>D</sub> = 0 V f = 1MHz	HT506 HT507	TBD		pF
<b>Power Supplies</b>						
I+	Positive Supply Current	V <sub>EN</sub> = V <sub>A</sub> = 0 or 5 V	50		250	μA
I-	Negative Supply Current		-0.01	-20		μA

(1) Typical operating conditions: VDD=5.0 V +10%, TA=25°C, pre-radiation.

(2) Worst case operating conditions: VDD=4.5 V to 5.5 V, -55 to 125°C, post total dose at 25°C.

## ELECTRICAL CHARACTERISTICS (Single Supply)

Temperature range -55 to +225°C, typical @ +25°C, V+ = 10V, V- = 0V, VIL = 0.8 V, VIH = 2.4V, unless otherwise specified

Symbol	Parameter	Test Conditions	Typ (1)	Worst Case (2)		Unit
				Min	Max	
<b>Analog Switch</b>						
V <sub>ANALOG</sub>	Analog Signal Range		11			V
r <sub>DS(ON)</sub>	Drain-Source On-Resistance	V <sub>D</sub> = 3 V, 10 V, I <sub>S</sub> = 1mA Sequence Each Switch On	80		400	Ω
Δr <sub>DS(ON)</sub>	r <sub>DS(ON)</sub> Matching between Channels		2			%
I <sub>S(OFF)</sub>	Source Off Leakage Current	V <sub>EN</sub> = 0 V	0.01		200	nA
I <sub>D(OFF)</sub>	Drain Off Leakage Current	V <sub>S</sub> = 0.5 V or 10 V	0.04	-2000	2000	nA
I <sub>D(ON)</sub>	Drain On Leakage Current	V <sub>S</sub> = V <sub>D</sub> = ±10 V equence Each Switch On	0.04	-2500	2500	nA
<b>Dynamic Characteristics</b>						
t <sub>TRANS</sub>	Switching Time of Multiplexer	V <sub>S1</sub> = 10 V, V <sub>S8</sub> = 0 V, V <sub>IN</sub> = 2.4 V			400	ns
t <sub>ON(EN)</sub>	Address/Enable Turn-On	trise/tfall < 50ns		100	400	ns
t <sub>OFF(EN)</sub>	Address/Enable Turn-Off Time			30	200	
Q	Charge Injection	C <sub>L</sub> = 1 nF, V <sub>S</sub> = 6 V, R <sub>S</sub> = 0	TBD			pC
<b>Power Supplies</b>						
I+	Positive Supply Current	V <sub>EN</sub> = 0 V or 5 V, V <sub>A</sub> = 0 V or 5 V	50		250	μA
I-	Negative Supply Current		-0.01	-20		μA

(1) Typical operating conditions: VDD = 5.0 V, TA = 25°C.

(2) Worst case operating conditions: VDD = 10 V to ±10%, TA = -55°C to +225°C.

### TRUTH TABLE—HT506

A3	A2	A1	AO	EN	On Switch
X	X	X	X	0	None
0	0	0	0	1	1
0	0	0	1	1	2
0	0	1	0	1	3
0	0	1	1	1	4
0	1	0	0	1	5
0	1	0	1	1	6
0	1	1	0	1	7
0	1	1	1	1	8
1	0	0	0	1	9
1	0	0	1	1	10
1	0	1	0	1	11
1	0	1	1	1	12
1	1	0	0	1	13
1	1	0	1	1	14
1	1	1	0	1	15
1	1	1	1	1	16

### TRUTH TABLE—HT507

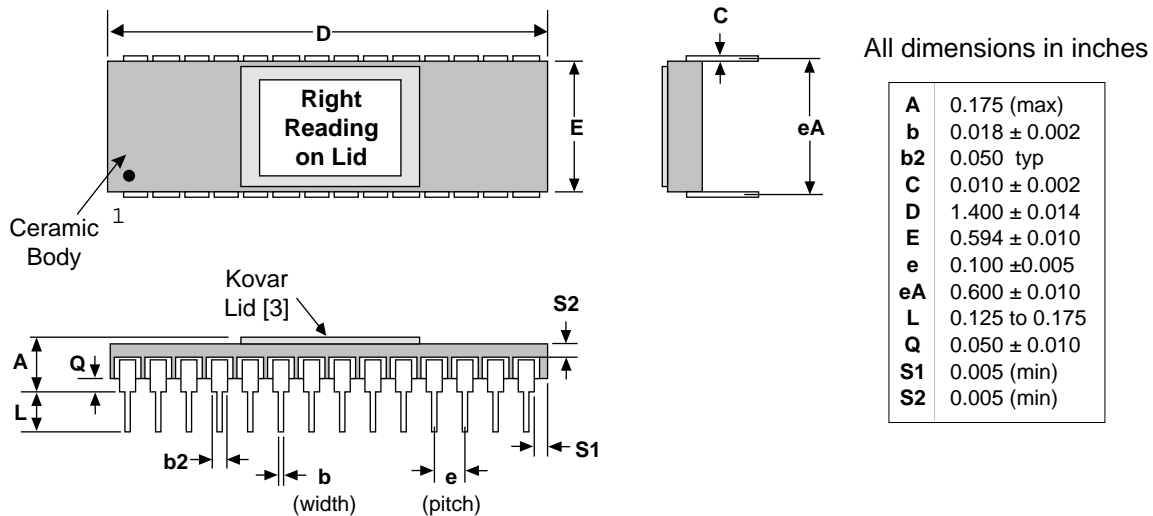
A2	A1	A0	EN	On Switch Pair
X	X	X	0	None
0	0	0	1	1
0	0	1	1	2
0	1	0	1	3
0	1	1	1	4
1	0	0	1	5
1	0	1	1	6
1	1	0	1	7
1	1	1	1	8

Logic "0" = VAL ≤ 0.8 V  
 Logic "0" = VAH ≥ 2.4 V  
 X = Don't care

## ABSOLUTE MAXIMUM RATINGS

Voltages Referenced to V-, V+ .....	+15V
Digital Inputs VS, VD .....	-0.5 to VDD +0.5V
Current (any terminal) .....	10 mA
Peak Current, S or D, (Pulsed at 1 ms, 10% Duty Cycle Max) .....	15mA
Storage Temperature .....	-65 to +325°C
Power Dissipation (Package) .....	500 mW
ESD Protection .....	1000V

## 28-LEAD PACKAGE



## ORDERING INFORMATION

### HT506DC

D—Indicates package type  
 D = Standard DIP\*  
 \*For packaging information, call Honeywell

C—Indicates screening level  
 C = Commercial  
 B = High Temperature Class B

### HT507DC

D—Indicates package type  
 D = Standard DIP\*  
 \*For packaging information, call Honeywell

C—Indicates screening level  
 C = Commercial  
 B = High Temperature Class B

Honeywell reserves the right to make changes to any products or technology herein to improve reliability, function or design. Honeywell does not assume any liability arising out of the application or use of any product or circuit described herein; neither does it convey any license under its patent rights nor the rights of others.