

10-Bit Bus Switch with Precharged Outputs

Features

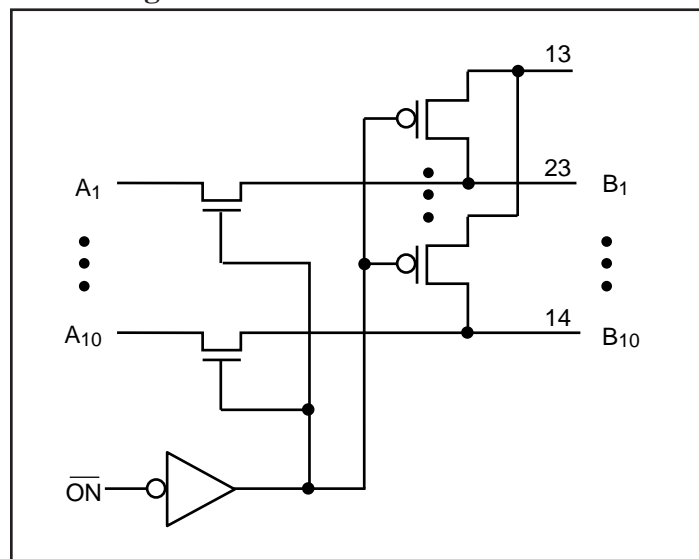
- Near-Zero propagation delay
- 5Ω switch connection between two ports
- Ultra-low quiescent power (0.2μA typical)
- Ideally suited for notebook applications
- A port is hot swappable
- Packaging (Pb-free & Green available):
 - 24-pin 150-mil wide QSOP (Q)
 - 24-pin 173-mil wide TSSOP (L)

Description

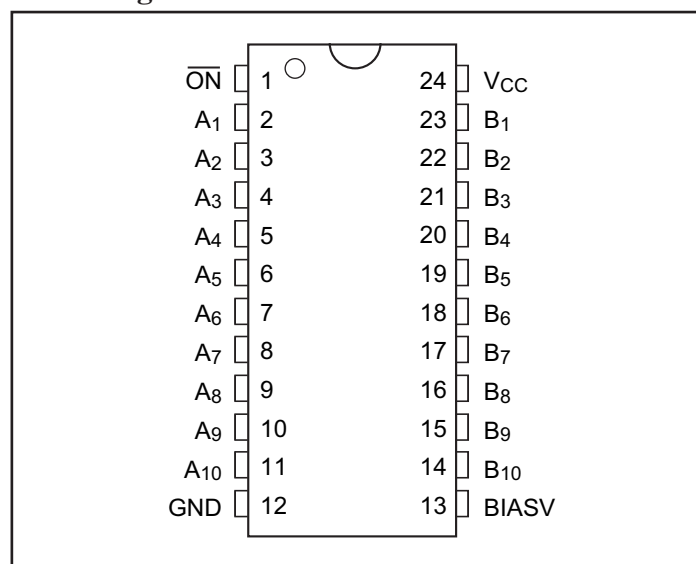
Pericom's Semiconductor's PI5C6800 is a 10-bit bus switch with low On-State resistance. The bus switch creates no additional propagation delay.

The switch is turned on by a single enable (\overline{ON}) input. When \overline{ON} is LOW, the switch is on and port A is connected to port B. When \overline{ON} is HIGH, the switch between port A and port B is open and the B port is precharged to BIASV through the equivalent of a 10k-ohm resistor.

Block Diagram



Pin Configuration



Truth Table⁽¹⁾

Function	\overline{ON}	B1 - B10
Connect	L	A1- A10
Precharge	H	BIASV

Notes:

1. H = High Voltage Level, L = Low Voltage Level

Absolute Maximum Ratings Over Free-Air Temperature Range⁽¹⁾

(Above which the useful life may be impaired. For user guidelines, not tested.)

Storage Temperature	-65°C to +150°C
Supply Voltage Range	-0.5V to +7V
DC Input Voltage ⁽²⁾	-0.5V to +7V
Input Clamp Current, I _{IK} (V _I <0)	-50mA
DC Output Current	120mA
Power Dissipation ⁽³⁾	0.5W

Notes:

1. Stresses greater than those listed under MAXIMUM RATINGS may cause permanent damage to the device. This is a stress rating only and functional operation of the device at these or any other conditions above those indicated in the operational sections of this specification is not implied. Exposure to absolute maximum rating conditions for extended periods may affect reliability.
2. The input and output negative-voltage ratings may be exceeded if the input and output clamp-current ratings are observed.
3. The maximum package power dissipation is calculated using a junction temperature of 150°C and a board trace length of 750 mils.

Recommended Operating Conditions

Parameters	Description	Min.	Typ.	Units
V _{CC}	Supply Voltage	4	5.5	V
BIASV	Supply Voltage	0	V _{CC}	
V _{IH}	High-level input voltage	2		
V _{IL}	Low-level input voltage		0.8	
T _A	Operating free-air voltage	-40	85	°C

Electrical Characteristics (Over Recommended Operating Free-air Temperature Range)

Parameters	Test Condition		Min.	Typ. ⁽²⁾	Max.	Units
V _{IK}	V _{CC} = 4.5V, I _I = -18mA				-1.2	V
I _I	V _{CC} = 5.5V, V _I = 5.5V or GND				±5	µA
I _O	V _{CC} = 4.5V, BIASV = 2.4V, V _O = 0		-0.20			mA
I _{CC}	V _{CC} = 5.5V, I _O = 0, V _I = V _{CC} or GND				3	mA
C _{IN}	V _I = 3V or 0			3.5		pF
C _{OFF}	V _O = 3V or 0, Switch Off			4.5		
R _{ON} ⁽¹⁾	V _{CC} = 4V	V _I = 2.4V, I _I = 15mA		14	22	Ω
	V _{CC} = 4.5V	V _I = 0V, I _I = 64mA		5	7	
		V _I = 0V, I _I = 30mA		5	7	
		V _I = 2.4V, I _I = 15mA		10	15	

Notes:

1. Measured by the voltage drop between the A and B terminals at the indicated current through the switch. On-State resistance is determined by the lower of the voltages of the two (A or B) terminals.
2. All typical values are at V_{CC} = 5V, T_A = 25°C.

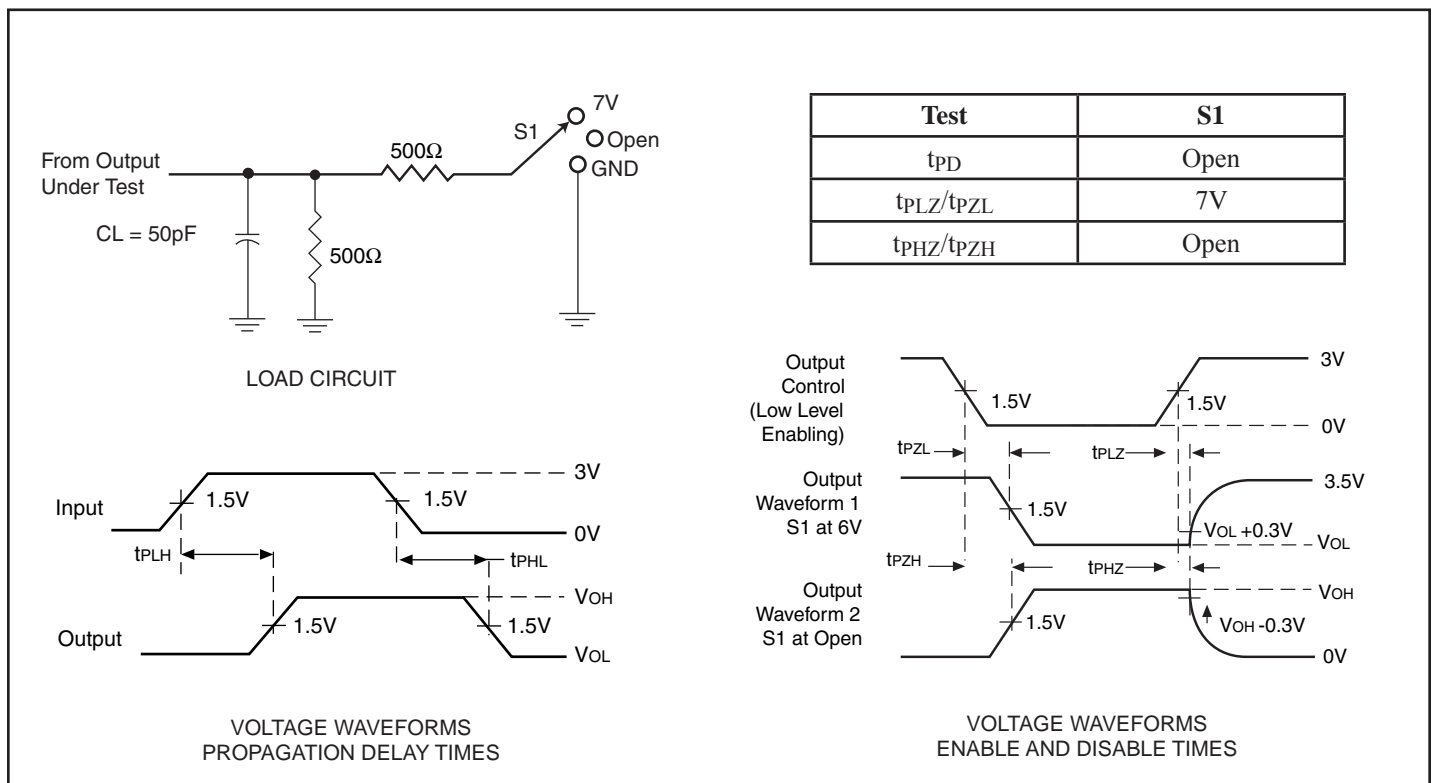
Switching Characteristics (Over Recommended Operating Free-air Temperature Range, $C_L = 50\text{pF}$)

Parameter	Test Conditions	From (Input)	To (Input)	$V_{CC} = 5V \pm 0.5V$		$V_{CC} = 4V$		Units
				Min.	Max.	Min.	Max.	
$t_{PD}^{(1)}$		A or B	B or A		0.25		0.25	ns
t_{PZH}	BIASV = GND	ON	A or B	3.1	5		6	
t_{PZL}	BIASV = 3V			3.6	5		6	
t_{PHZ}	BIAS = GND	ON	A or B	2.7	5		5.5	
t_{PLZ}	BIAS = 3V			3	5		5.5	

Notes:

1. This parameter is warranted but not production tested. The propagation delay is based on the RC time constant of the typical On-State resistance of the switch and a load capacitance of 50pF, when driven by an ideal voltage source (zero output impedance).

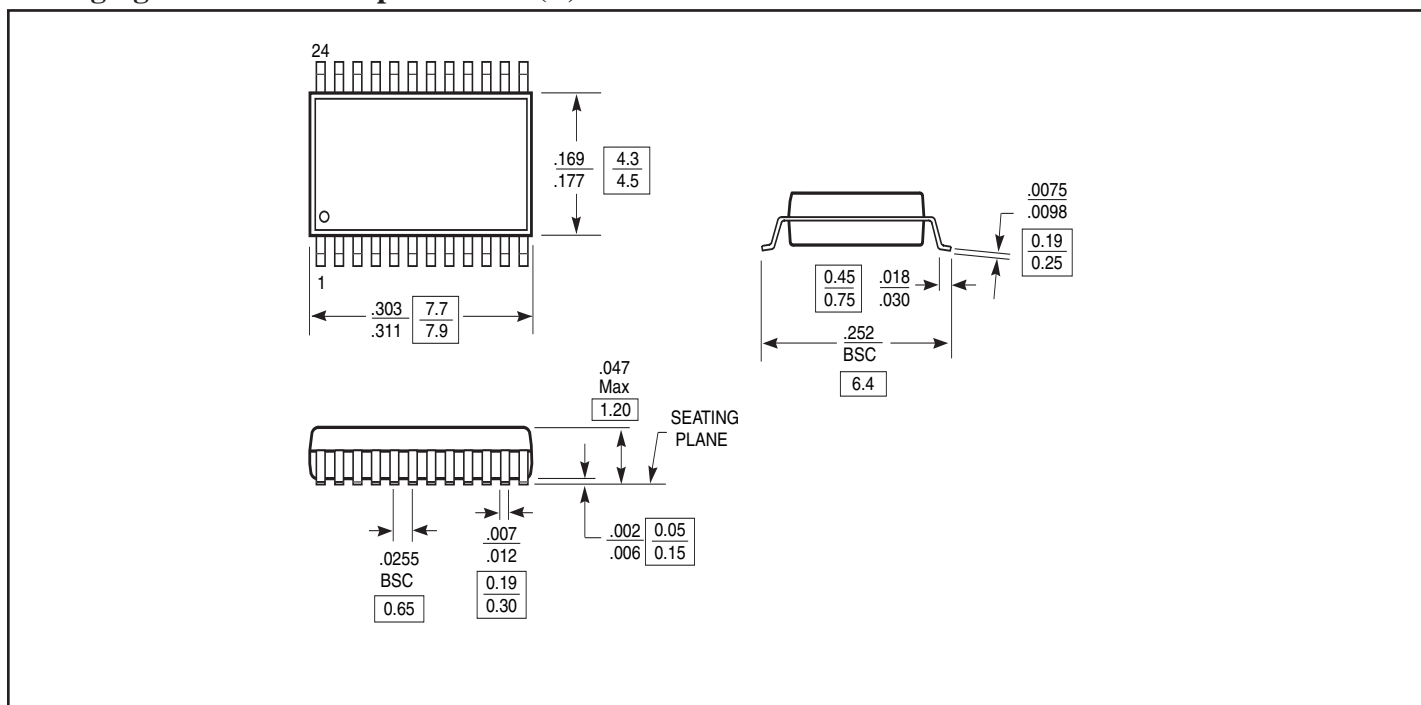
Parameter Measurements



Notes:

- C_L includes probe and jig capacitance.
- Waveform 1 is for an output with internal conditions such that the output is LOW except when disabled by the output control.
- Waveform 2 is for an output with internal conditions such that the output is HIGH except when disabled by the output control.
- All input pulses are supplied by generators having the following characteristics: $PRR < 10\text{MHz}$, $Z_O = 50\Omega$, $t_r \leq 2.5\text{ns}$, $t_f \leq 2.5\text{ns}$.
- The outputs are measured one at a time with one transition per measurement.
- t_{PLZ} and t_{PHZ} are the same as t_{dis} .
- t_{PZL} and t_{PZH} are the same as t_{en} .
- t_{PLH} and t_{PHL} are the same as t_{pd} .

Packaging Mechanical: 24-pin TSSOP (L)



Ordering Information

Ordering Code	Package Code	Package Description
PI5C6800L	L	24-Pin 173-mil TSSOP
PI5C6800LE	L	Pb-free & Green, 24-Pin 173-mil TSSOP
PI5C6800Q	Q	24-Pin 150-mil QSOP
PI5C6800QE	Q	Pb-free & Green, 24-Pin 150-mil QSOP

Notes:

- Thermal characteristics can be found on the company web site at www.pericom.com/packaging/
- E = Pb-free & Green
- Adding an X suffix = Tape/Reel