

Low On-Resistance Wideband/Video Dual 4-Channel Mux/DeMux

Features

- High-performance, low-cost solution to switch between video sources
- Wide bandwidth: 150 MHz
- Low On-Resistance: 3Ω
- Low crosstalk at 10 MHz: -58dB
- Ultra-low quiescent power (0.1μA typical)
- Single supply operation: +5.0V
- Fast switching: 10ns
- High-current output: 100mA
- Functionally equivalent to QS4A210
- Packaging (Pb-free & Green available):
 - 16-pin 150-mil-wide plastic QSOP (Q)
 - 16-pin 150-mil-wide plastic SOIC (W)

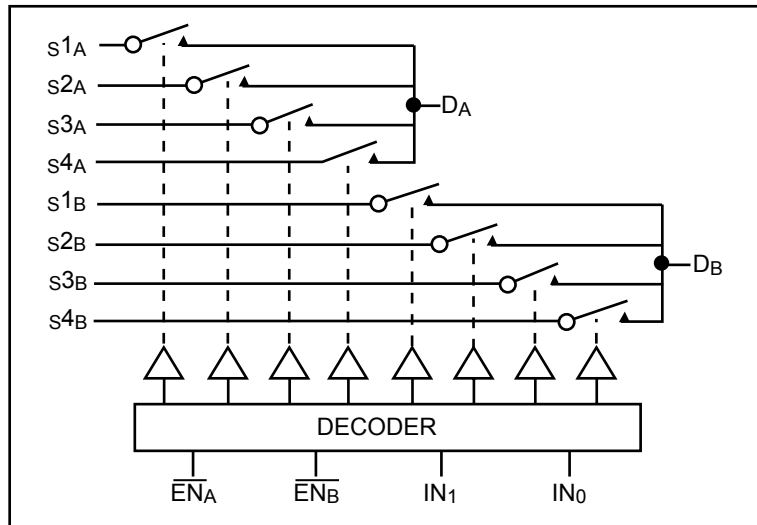
Description

Pericom Semiconductor's PI5V331 is a true bidirectional Dual 4-channel multiplexer/demultiplexer that is recommended for both S-Video or composite video switching applications. The switch can be driven from a current output RAMDAC or voltage output composite video source.

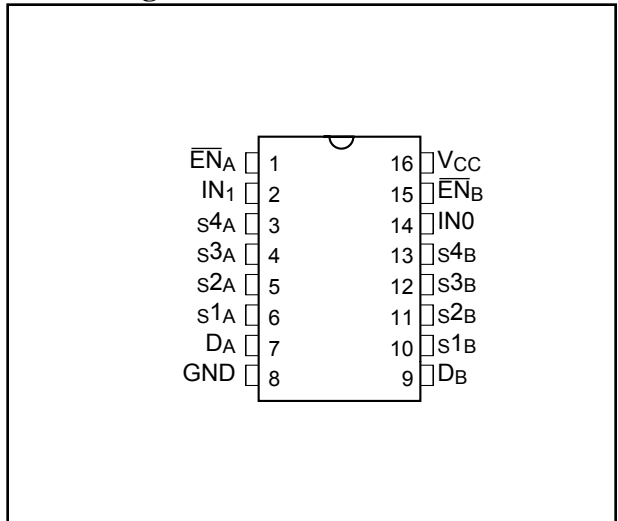
Low On-resistance and wide bandwidth make it ideal for video and other applications. Also this device has exceptionally high current capability which is far greater than most analog switches offered today. A single 5V supply is all that is required for operation.

The PI5V331 offers a high-performance, low-cost solution to switch between video sources.

Block Diagram



Pin Configuration



Truth Table

EN _A	EN _B	IN ₁	IN ₀	On Switch
1	X	X	X	Disable A
X	1	X	X	Disable B
0	0	0	0	S _{1A} - DA, S _{1B} - DB
0	0	0	1	S _{2A} - DA, S _{2B} - DB
0	0	1	0	S _{3A} - DA, S _{3B} - DB
0	0	1	1	S _{4A} - DA, S _{4B} - DB

Pin Description

Pin Name	Description
S _{1A} , S _{2A} , S _{3A} , S _{4A} S _{1B} , S _{2B} , S _{3B} , S _{4B}	Analog Video I/O (Usually Inputs)
S ₀ , S ₁	Select Input
EN _A , EN _B	Enable
DA, DB	Analog Video I/O (Usually Outputs)
GND	Ground
VCC	Power

Maximum Ratings

(Above which the useful life may be impaired. For user guidelines, not tested.)

Storage Temperature	-65°C to +150°C
Ambient Temperature with Power Applied	-40°C to +85°C
Supply Voltage to Ground Potential (Inputs & V _{CC} Only).....	-0.5V to +7.0V
Supply Voltage to Ground Potential (Outputs & D/O Only) ..	-0.5V to +7.0V
DC Input Voltage	-0.5V to +7.0V
DC Output Current.....	120 mA
Power Dissipation	0.5W

Note:

Stresses greater than those listed under MAXIMUM RATINGS may cause permanent damage to the device. This is a stress rating only and functional operation of the device at these or any other conditions above those indicated in the operational sections of this specification is not implied. Exposure to absolute maximum rating conditions for extended periods may affect reliability.

DC Electrical Characteristics (Over the Operating Range, T_A = -40°C to +85°C, V_{CC} = 5V ±5%)

Parameters	Description	Test Conditions ⁽¹⁾	Min.	Typ ⁽²⁾	Max.	Units
V _{ANALOG}	Analog Signal Range		0	—	2.0	V
V _{IH}	Input HIGH Voltage	Guaranteed Logic HIGH Level	2.0	—	—	
V _{IL}	Input LOW Voltage	Guaranteed Logic LOW Level	-0.5	—	0.8	
I _{IH}	Input HIGH Current	V _{CC} = Max., V _{IN} = V _{CC}	—	—	±1	µA
I _{IL}	Input LOW Current	V _{CC} = Max., V _{IN} = GND	—	—	±1	
I _O	Analog Output Leakage Current	0 ≤ S ₁ , S ₂ or D ≤ V _{CC} , Switch Off	—	—	±1	
V _{IK}	Clamp Diode Voltage	V _{CC} = Min., I _{IN} = -18 mA	—	-0.7	-1.2	V
I _{OS}	Short Circuit Current ⁽³⁾	S ₁ , S ₂ , D = 0V V _{CC}	100	—	—	mA
V _H	Input Hysteresis at Control Pins		—	150	—	mV
R _{ON}	Switch On-Resistance ⁽⁴⁾	V _{CC} = Min., V _{OUT} = 0.975V, R _L = 75Ω, I _{ON} = 13 mA	—	3	7	Ω
		V _{CC} = MIN., V _{OUT} = 1.95V, R _L = 75Ω, I _{ON} = 26 mA	—	7	10	

Notes:

- For Max. or Min. conditions, use appropriate value specified under Electrical Characteristics for the applicable device type.
- Typical values are at V_{CC} = 5.0V, T_A = 25°C ambient and maximum loading.
- Not more than one output should be shorted at one time. Duration of the test should not exceed one second.
- Measured by the voltage drop between S₁, S₂, and D I/O pins at indicated current through the switch. On-Resistance is determined by the lower of the voltages on the S₁, S₂, and D I/O pins. V_{OUT} is the voltage across R_L.

Dynamic Characteristics (Over the Operating Range, $T_A = -40^\circ\text{C}$ to $+85^\circ\text{C}$, $V_{CC} = 5V \pm 5\%$)

Parameter	Description	Test Conditions	Min.	Typ.	Max.	Units
t_{ON}	Turn On Time	$R_L = 75\Omega$, $C_L = 20$ pF, see Fig. 2	—	2.5	5	ns
t_{OFF}	Turn Off Time	$R_L = 75\Omega$, $C_L = 20$ pF, see Fig. 2	—	1.1	5	
$BW^{(1)}$	-3 dB Bandwidth	$R_L = 150\Omega$, see Fig. 3	150	—	—	MHz
X_{TALK}	Crosstalk	$R_{IN} = 10\Omega$; $R_L = 150\Omega$, 10 MHz, see Fig. 3	—	-58	—	dB
D_G	Differential Gain	$R_L = 150\Omega$, $f = 3.58$ MHz, see Fig. 1	—	0.64	—	%
D_P	Differential Phase	$R_L = 150\Omega$, $f = 3.58$ MHz, see Fig. 1	—	0.27	—	Deg.
$C_{IN}^{(1)}$	Input/Enable Capacitance	$V_{IN} = 0V$, $f = 1$ MHz	—	—	6	pF
$C_{OFF}^{(1)}$	Capacitance, Switch Off	$V_{IN} = 0V$, $f = 1$ MHz	—	—	6	
$C_{ON}^{(1)}$	Capacitance, Switch On	$V_{IN} = 0V$, $f = 1$ MHz	—	—	20	
O_{IRR}	Off Isolation	$R_L = 150\Omega$, 10 MHz, see Fig. 3	—	-38	—	dB

Notes:

1. This parameter is determined by device characterization but is not production tested.

Power Supply Characteristics

Parameters	Description	Test Conditions ⁽¹⁾		Min.	Typ ⁽²⁾	Max.	Units
I_{CC}	Quiescent Power Supply Current	$V_{CC} = \text{Max.}$	$IN = \text{GND or } V_{CC}$	—	0.1	3.0	μA
ΔI_{CC}	Supply Current per Input @ TTL HIGH	$V_{CC} = \text{Max.}$	$IN = 3.4V^{(3)}$	—	—	2.5	mA
I_{CCD}	Supply Current per Input per MHz ⁽⁴⁾	$V_{CC} = \text{Max.}$, S_1, S_2 , and D Pins Open $\overline{EN} = \text{GND}$ Control Input Toggling 50% Duty Cycle		—	—	0.25	mA/ MHz

Notes:

1. For Max. or Min. conditions, use appropriate value specified under Electrical Characteristics for the applicable device.
2. Typical values are at $V_{CC} = 5.0V$, $+25^\circ\text{C}$ ambient.
3. Per TTL driven input ($V_{IN} = 3.4V$, control inputs only); S_1, S_2 , and D pins do not contribute to I_{CC} .
4. This current applies to the control inputs only and represent the current required to switch internal capacitance at the specified frequency. The S_1, S_2 , and D I/O pins generate no significant AC or DC currents as they transition. This parameter is not tested, but is guaranteed by design.

Definitions

Symbol	Description
R_{ON}	Resistance between source and drain with switch in the ON state.
I_O	Output leakage current measured at S_1 , S_2 , and D with the switch OFF.
V_{IN}	Digital voltage at the IN pin that selects between S_1 and S_2 analog inputs.
V_{EN}	A voltage that ENABLES the chip.
C_{IN}	Capacitance at the digital inputs.
C_{OFF}	Capacitance at analog I/O (S_1 , S_2 , D) with switch OFF.
C_{ON}	Capacitance at analog I/O (S_1 , S_2 , D) with switch ON.
V_{IH}	Minimum input voltage for logic HIGH.
V_{IL}	Minimum input voltage for logic LOW.
I_{IH} (I_{IL})	Input current of the digital input.
I_{OS}	Minimum short circuit current for S_1 , S_2 and D.
t_{ON}	Propagation delay measured between 50% of the digital input to 90% of the analog output when switch is turned ON. The peak analog voltage is 0.714V.
t_{OFF}	Propagation delay measured between 50% of the digital input to 90% of the analog output when switch is turned OFF. The peak analog voltage is 0.714V.
B_W	Frequency response of the switch in the ON state measured at 3dB down.
X_{TALK}	Is an unwanted signal coupled from channel to channel. Measured in -dB. $X_{TALK} = 20 \text{ LOG } V_{OUT}/V_{IN}$. This is non-adjacent crosstalk.
D_G	Differential gain is the difference measurement between two bias levels, for instance analog input signals of 0V to 0.714V.
D_P	Differential phase is the difference measurement between two bias levels, for instance analog input signals of 0V to 0.714V.
O_{IRR}	Off isolation is the resistance (measured in -dB) between the input and output with the switch off (NO).

Test Circuits

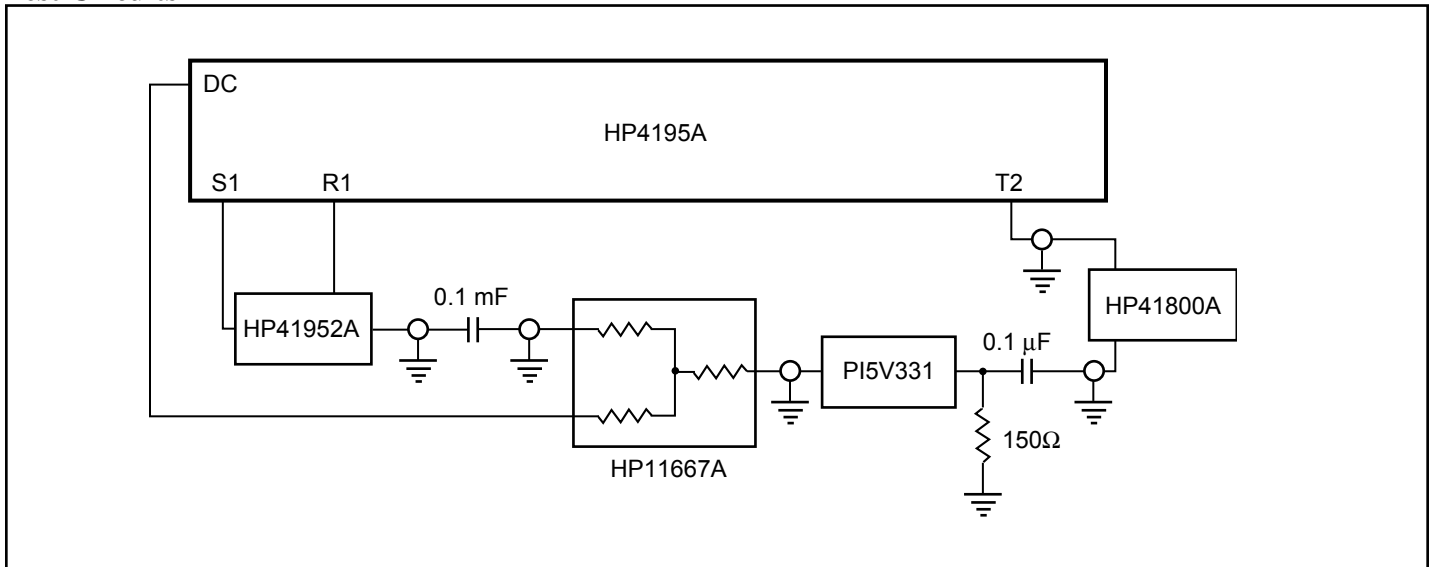


Figure 1. Differential Gain/Phase

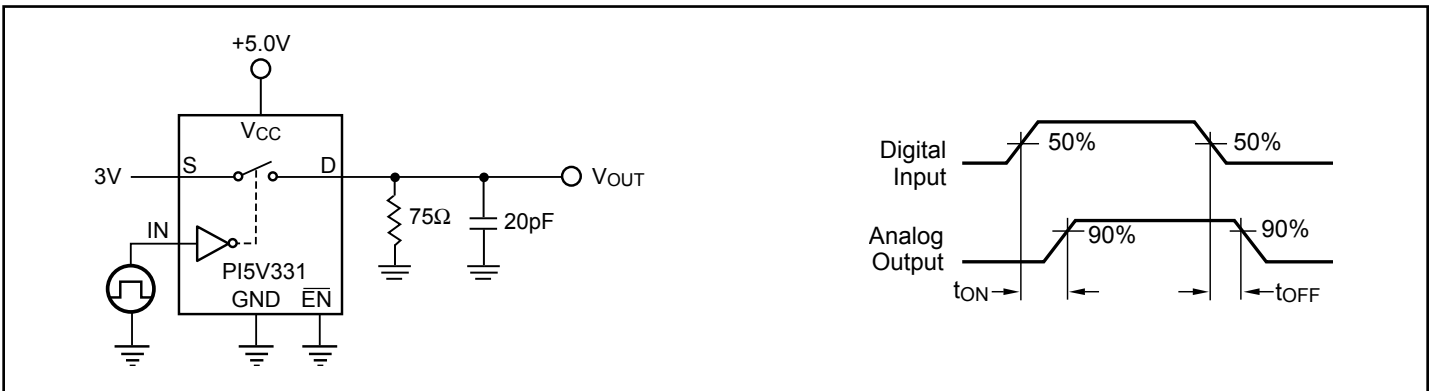


Figure 2. Switching Time

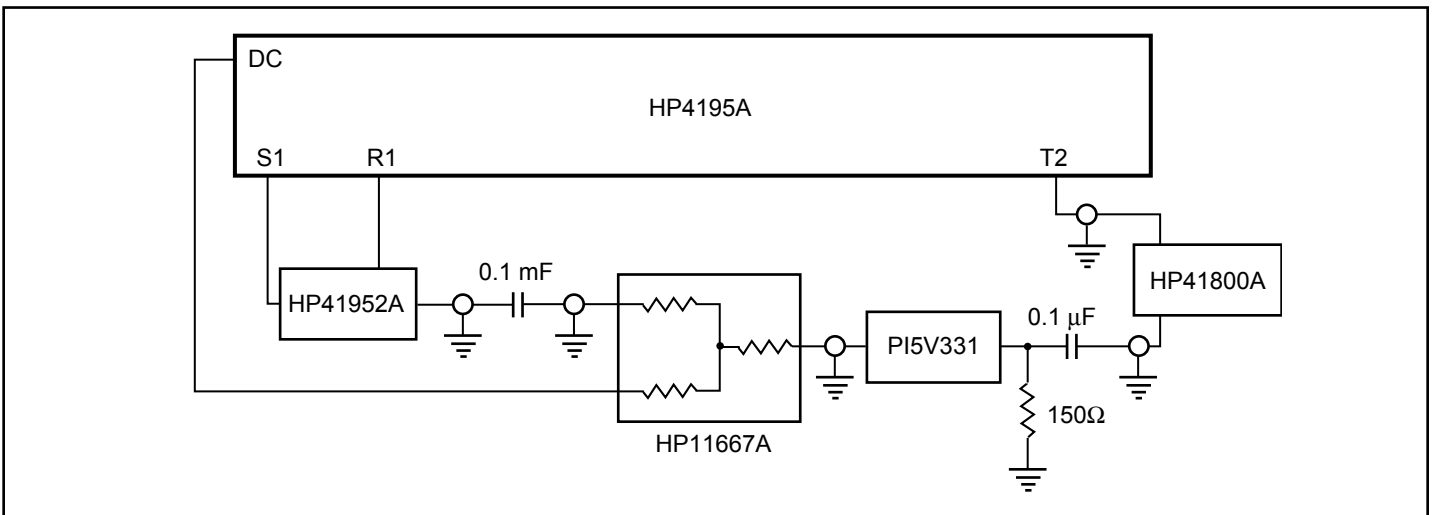
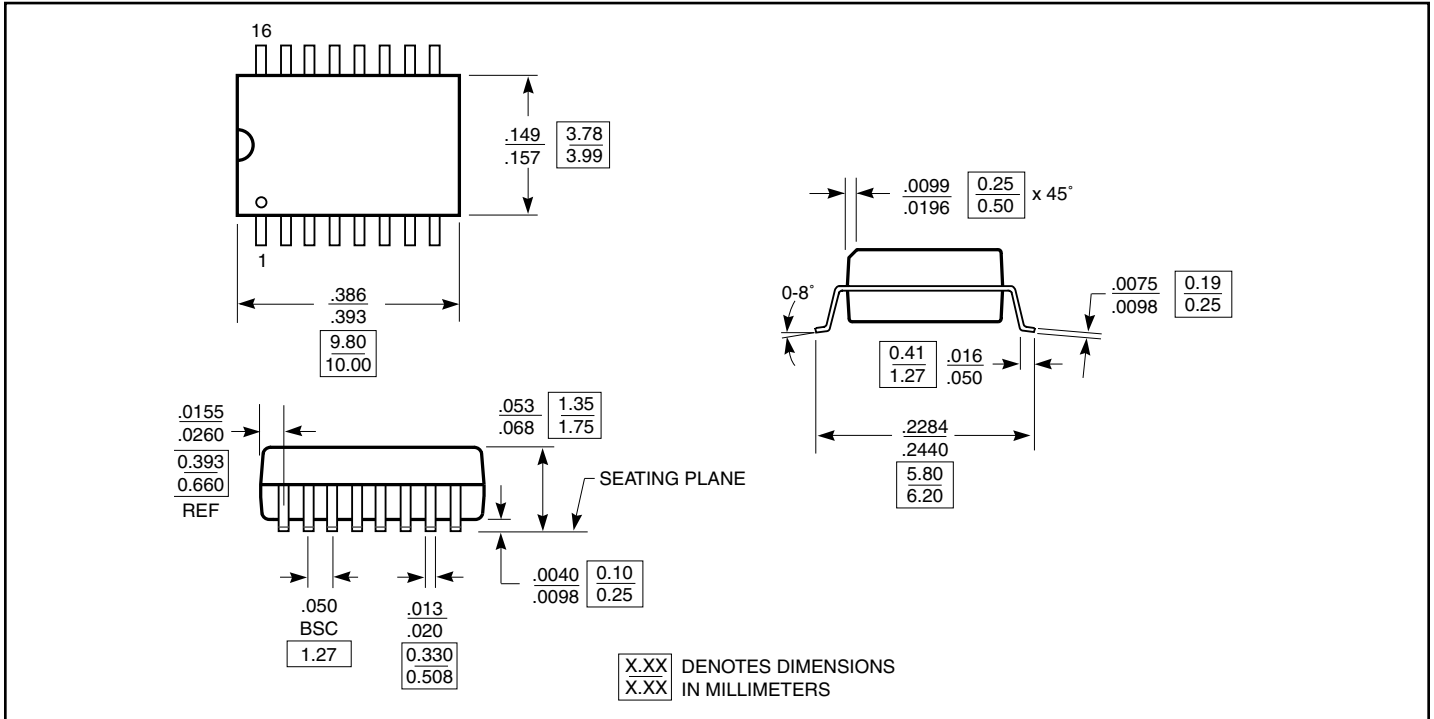
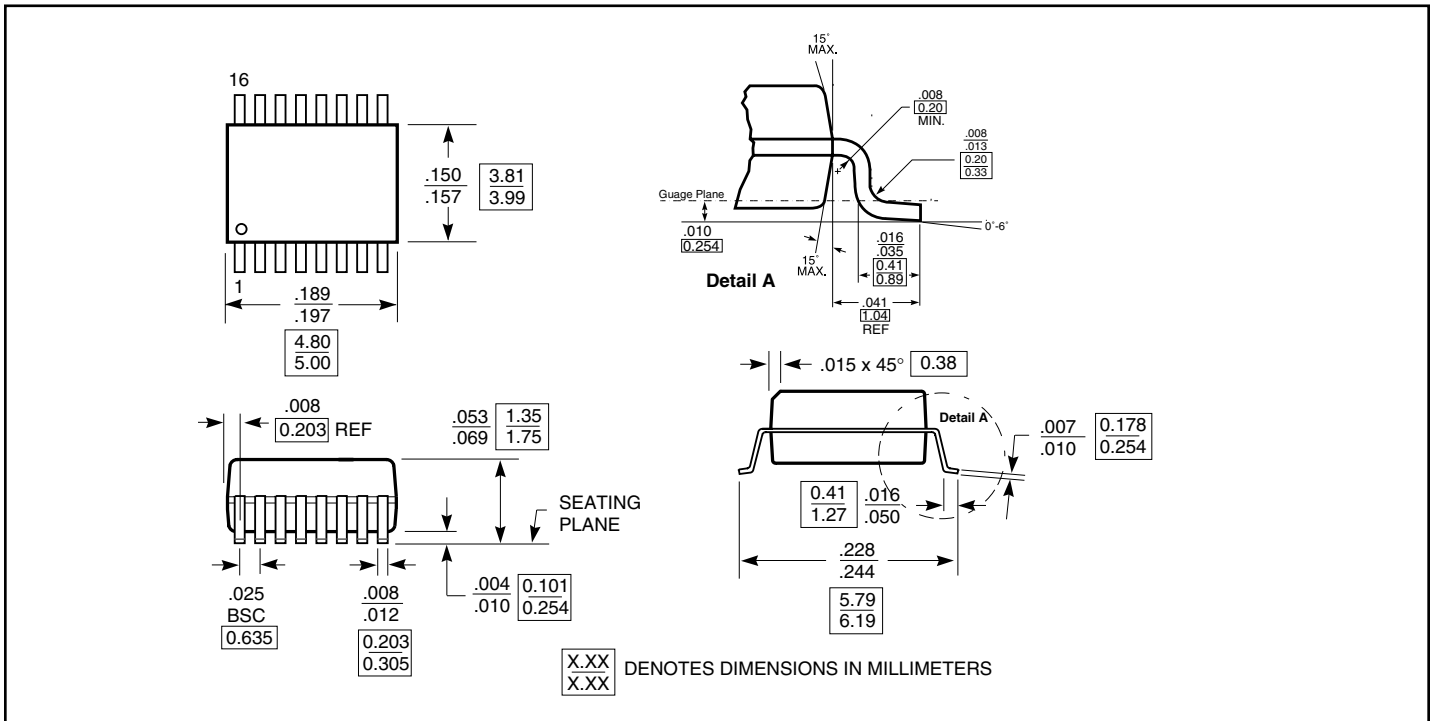


Figure 3. Gain/Phase, Crosstalk, Off-Isolation

Packaging Mechanical: 16-pin SOIC (W)



Packaging Mechanical: 16-pin QSOP (Q)



Ordering Information

Ordering Code	Package Type	Package Description
PI5V331W	W	16-pin SOIC
PI5V331WE	W	Pb-free & Green, 16-pin SOIC
PI5V331Q	Q	16-pin QSOP
PI5V331QE	Q	Pb-free & Green, 16-pin QSOP

Notes:

1. Thermal characteristics can be found on the company web site at www.pericom.com/packaging/