

EVALUATION KIT
AVAILABLE



Dual, Ultra-Low-Power, 12-Bit, Voltage-Output DACs

MAX5532-MAX5535

General Description

The MAX5532–MAX5535 are dual, 12-bit, ultra-low-power, voltage-output, digital-to-analog converters (DACs) offering rail-to-rail buffered voltage outputs. The DACs operate from a 1.8V to 5.5V supply and consume less than 5µA, making the devices suitable for low-power and low-voltage applications. A shutdown mode reduces overall current, including the reference input current, to just 0.18µA. The MAX5532–MAX5535 use a 3-wire serial interface that is compatible with SPI™, QSPI™, and MICROWIRE™.

Upon power-up, the MAX5532–MAX5535 outputs are driven to zero scale, providing additional safety for applications that drive valves or for other transducers that need to be off during power-up. The zero-scale outputs enable glitch-free power-up.

The MAX5532 accepts an external reference input and provides unity-gain outputs. The MAX5533 contains a precision internal reference and provides a buffered external reference output with unity-gain DAC outputs. The MAX5534 accepts an external reference input and provides force-sense outputs. The MAX5535 contains a precision internal reference and provides a buffered external reference output with force-sense DAC outputs.

The MAX5534/MAX5535 are available in a 4mm x 4mm x 0.8mm, 12-pin, thin QFN package. The MAX5532/MAX5533 are available in an 8-pin µMAX® package. All devices are guaranteed over the extended -40°C to +85°C temperature range.

For 10-bit compatible devices, refer to the MAX5522–MAX5525 data sheet. For 8-bit compatible devices, refer to the MAX5512–MAX5515 data sheet.

Applications

Portable Battery-Powered Devices
Instrumentation
Automatic Trimming and Calibration in Factory or Field
Programmable Voltage and Current Sources
Industrial Process Control and Remote Industrial Devices
Remote Data Conversion and Monitoring
Chemical Sensor Cell Bias for Gas Monitors
Programmable LCD Bias

SPI and QSPI are trademarks of Motorola, Inc.
MICROWIRE is a trademark of National Semiconductor Corp.
µMAX is a registered trademark of Maxim Integrated Products, Inc.



Features

- ◆ Ultra-Low 5µA Supply Current
- ◆ Shutdown Mode Reduces Supply Current to 0.18µA (max)
- ◆ Single +1.8V to +5.5V Supply
- ◆ Small 4mm x 4mm x 0.8mm Thin QFN Package
- ◆ Internal Reference Sources 8mA of Current (MAX5533/MAX5535)
- ◆ Flexible Force-Sense-Configured Rail-to-Rail Output Buffers
- ◆ Fast 16MHz, 3-Wire, SPI-/QSPI-/MICROWIRE-Compatible Serial Interface
- ◆ TTL- and CMOS-Compatible Digital Inputs with Hysteresis
- ◆ Glitch-Free Outputs During Power-Up

Ordering Information

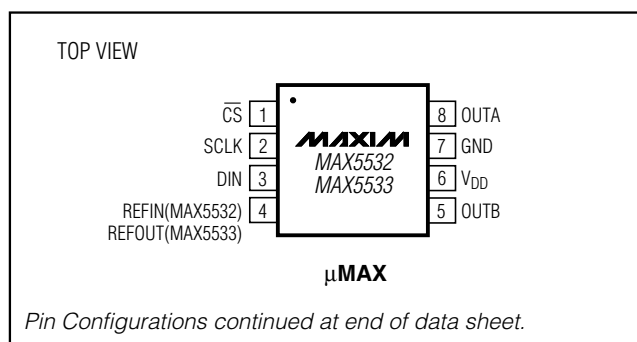
PART	TEMP RANGE	PIN-PACKAGE	PKG CODE
MAX5532EUA	-40°C to +85°C	8 µMAX	U8C-3
MAX5533EUA	-40°C to +85°C	8 µMAX	U8C-3
MAX5534ETC	-40°C to +85°C	12 Thin QFN-EP*	T1244-4
MAX5535ETC	-40°C to +85°C	12 Thin QFN-EP*	T1244-4

*EP = Exposed paddle (internally connected to GND).

Selector Guide

PART	OUTPUTS	REFERENCE	TOP MARK
MAX5532EUA	Unity gain	External	—
MAX5533EUA	Unity gain	Internal	—
MAX5534ETC	Force sense	External	AACM
MAX5535ETC	Force sense	Internal	AACN

Pin Configurations



For pricing, delivery, and ordering information, please contact Maxim/Dallas Direct! at 1-888-629-4642, or visit Maxim's website at www.maxim-ic.com.

Dual, Ultra-Low-Power, 12-Bit, Voltage-Output DACs

ABSOLUTE MAXIMUM RATINGS

V _{DD} to GND	-0.3V to +6V
OUTA, OUTB to GND	-0.3V to (V _{DD} + 0.3V)
FBA, FBB to GND	-0.3V to (V _{DD} + 0.3V)
SCLK, DIN, CS to GND	-0.3V to (V _{DD} + 0.3V)
REFIN, REFOUT to GND	-0.3V to (V _{DD} + 0.3V)
Continuous Power Dissipation (T _A = +70°C)	
12-Pin Thin QFN (derate 16.9mW/°C above +70°C)	1349mW
8-Pin μMAX (derate 5.9mW/°C above +70°C)	471mW

Operating Temperature Range	-40°C to +85°C
Storage Temperature Range	-65°C to +150°C
Junction Temperature	+150°C
Lead Temperature (soldering, 10s)	+300°C

Stresses beyond those listed under "Absolute Maximum Ratings" may cause permanent damage to the device. These are stress ratings only, and functional operation of the device at these or any other conditions beyond those indicated in the operational sections of the specifications is not implied. Exposure to absolute maximum rating conditions for extended periods may affect device reliability.

ELECTRICAL CHARACTERISTICS

(V_{DD} = +1.8V to +5.5V, OUT_ unloaded, T_A = T_{MIN} to T_{MAX}, unless otherwise noted. Typical values are at T_A = +25°C.)

PARAMETER	SYMBOL	CONDITIONS	MIN	TYP	MAX	UNITS
STATIC ACCURACY (MAX5532/MAX5534 EXTERNAL REFERENCE)						
Resolution	N		12			Bits
Integral Nonlinearity (Note 1)	INL	V _{DD} = 5V, V _{REF} = 4.096V		±4	±8	LSB
		V _{DD} = 1.8V, V _{REF} = 1.024V		±4	±8	
Differential Nonlinearity (Note 1)	DNL	Guaranteed monotonic, V _{DD} = 5V, V _{REF} = 4.096V		±0.2	±1	LSB
		Guaranteed monotonic, V _{DD} = 1.8V, V _{REF} = 1.024V		±0.2	±1	
Offset Error (Note 2)	V _{OS}	V _{DD} = 5V, V _{REF} = 4.096V		±1	±20	mV
		V _{DD} = 1.8V, V _{REF} = 1.024V		±1	±20	
Offset-Error Temperature Drift				±2		μV/°C
Gain Error (Note 3)	GE	V _{DD} = 5V, V _{REF} = 4.096V		±2	±4	LSB
		V _{DD} = 1.8V, V _{REF} = 1.024V		±2	±4	
Gain-Error Temperature				±4		ppm/°C
Power-Supply Rejection Ratio	PSRR	1.8V ≤ V _{DD} ≤ 5.5V		85		dB
STATIC ACCURACY (MAX5533/MAX5535 INTERNAL REFERENCE)						
Resolution	N		12			Bits
Integral Nonlinearity (Note 1)	INL	V _{DD} = 5V, V _{REF} = 3.9V		±4	±8	LSB
		V _{DD} = 1.8V, V _{REF} = 1.2V		±4	±8	
Differential Nonlinearity (Note 1)	DNL	Guaranteed monotonic, V _{DD} = 5V, V _{REF} = 3.9V		±0.2	±1	LSB
		Guaranteed monotonic, V _{DD} = 1.8V, V _{REF} = 1.2V		±0.2	±1	
Offset Error (Note 2)	V _{OS}	V _{DD} = 5V, V _{REF} = 3.9V		±1	±20	mV
		V _{DD} = 1.8V, V _{REF} = 1.2V		±1	±20	
Offset-Error Temperature Drift				±2		μV/°C
Gain Error (Note 3)	GE	V _{DD} = 5V, V _{REF} = 3.9V		±2	±4	LSB
		V _{DD} = 1.8V, V _{REF} = 1.2V		±2	±4	

Dual, Ultra-Low-Power, 12-Bit, Voltage-Output DACs

MAX5532-MAX5535

ELECTRICAL CHARACTERISTICS (continued)

($V_{DD} = +1.8V$ to $+5.5V$, OUT_+ unloaded, $T_A = T_{MIN}$ to T_{MAX} , unless otherwise noted. Typical values are at $T_A = +25^\circ C$.)

PARAMETER	SYMBOL	CONDITIONS	MIN	TYP	MAX	UNITS
Gain-Error Temperature Coefficient				±4		ppm/°C
Power-Supply Rejection Ratio	PSRR	$1.8V \leq V_{DD} \leq 5.5V$		85		dB
REFERENCE INPUT (MAX5532/MAX5534)						
Reference-Input Voltage Range	V_{REFIN}		0		V_{DD}	V
Reference-Input Impedance	R_{REFIN}	Normal operation	4.1			MΩ
		In shutdown		2.5		GΩ
REFERENCE OUTPUT (MAX5533/MAX5535)						
Initial Accuracy	V_{REFOUT}	No external load, $V_{DD} = 1.8V$	1.197	1.214	1.231	V
		No external load, $V_{DD} = 2.5V$	1.913	1.940	1.967	
		No external load, $V_{DD} = 3V$	2.391	2.425	2.459	
		No external load, $V_{DD} = 5V$	3.828	3.885	3.941	
Output-Voltage Temperature Coefficient	V_{TEMPCO}	$T_A = -40^\circ C$ to $+85^\circ C$ (Note 4)		12	30	ppm/°C
Line Regulation		$V_{REFOUT} < V_{DD} - 200mV$ (Note 5)		2	200	μV/V
Load Regulation		$0 \leq I_{REFOUT} \leq 1mA$, sourcing, $V_{DD} = 1.8V$, $V_{REF} = 1.2V$		0.3	2	μV/μA
		$0 \leq I_{REFOUT} \leq 8mA$, sourcing, $V_{DD} = 5V$, $V_{REF} = 3.9V$		0.3	2	
		$-150\mu A \leq I_{REFOUT} \leq 0$, sinking		0.2		
Output Noise Voltage		0.1Hz to 10Hz, $V_{REF} = 3.9V$		150		μV _{P-P}
		10Hz to 10kHz, $V_{REF} = 3.9V$		600		
		0.1Hz to 10Hz, $V_{REF} = 1.2V$		50		
		10Hz to 10kHz, $V_{REF} = 1.2V$		450		
Short-Circuit Current (Note 6)		$V_{DD} = 5V$		30		mA
		$V_{DD} = 1.8V$		14		
Capacitive Load Stability Range		(Note 7)		0 to 10		nF
Thermal Hysteresis		(Note 8)		200		ppm
Reference Power-Up Time (from Shutdown)		REFOUT unloaded, $V_{DD} = 5V$		5.4		ms
		REFOUT unloaded, $V_{DD} = 1.8V$		4.4		
Long-Term Stability				200		ppm/ 1khrs

Dual, Ultra-Low-Power, 12-Bit, Voltage-Output DACs

ELECTRICAL CHARACTERISTICS (continued)

($V_{DD} = +1.8V$ to $+5.5V$, OUT_{-} unloaded, $T_A = T_{MIN}$ to T_{MAX} , unless otherwise noted. Typical values are at $T_A = +25^{\circ}C$.)

PARAMETER	SYMBOL	CONDITIONS	MIN	TYP	MAX	UNITS
DAC OUTPUTS (OUTA, OUTB)						
Capacitive Driving Capability	C_L			1000		pF
Short-Circuit Current (Note 6)		$V_{DD} = 5V$, V_{OUT} set to full scale, OUT shorted to GND, source current			65	mA
		$V_{DD} = 5V$, V_{OUT} set to 0V, OUT shorted to V_{DD} , sink current			65	
		$V_{DD} = 1.8V$, V_{OUT} set to full scale OUT shorted to GND, source current			14	
		$V_{DD} = 1.8V$, V_{OUT} set to 0V, OUT shorted to V_{DD} , sink current			14	
DAC Power-Up Time		Coming out of shutdown (MAX5532/MAX5534)	$V_{DD} = 5V$		3	μs
			$V_{DD} = 1.8V$		3.8	
		Coming out of standby (MAX5533/MAX5535)	$V_{DD} = 1.8V$ to 5.5V		0.4	
Output Power-Up Glitch		$C_L = 100pF$		10		mV
FB_ Input Current				10		pA
DIGITAL INPUTS (SCLK, DIN, \overline{CS})						
Input High Voltage	V_{IH}	$4.5V \leq V_{DD} \leq 5.5V$		2.4		V
		$2.7V < V_{DD} \leq 3.6V$		2.0		
		$1.8V \leq V_{DD} \leq 2.7V$		$0.7 \times V_{DD}$		
Input Low Voltage	V_{IL}	$4.5V \leq V_{DD} \leq 5.5V$			0.8	V
		$2.7V < V_{DD} \leq 3.6V$			0.6	
		$1.8V \leq V_{DD} \leq 2.7V$			$0.3 \times V_{DD}$	
Input Leakage Current	I_{IN}	(Note 9)		± 0.05	± 0.5	μA
Input Capacitance	C_{IN}			10		pF
DYNAMIC PERFORMANCE						
Voltage-Output Slew Rate	SR	Positive and negative (Note 10)		10		V/ms
Voltage-Output Settling Time		0.1 to 0.9 of full scale to within 0.5 LSB (Note 10)		660		μs
Output Noise Voltage		0.1Hz to 10Hz	$V_{DD} = 5V$		80	$\mu VP-P$
			$V_{DD} = 1.8V$		55	
		10Hz to 10kHz	$V_{DD} = 5V$		620	
			$V_{DD} = 1.8V$		476	

Dual, Ultra-Low-Power, 12-Bit, Voltage-Output DACs

MAX5532-MAX5535

ELECTRICAL CHARACTERISTICS (continued)

($V_{DD} = +1.8V$ to $+5.5V$, OUT_+ unloaded, $T_A = T_{MIN}$ to T_{MAX} , unless otherwise noted. Typical values are at $T_A = +25^\circ C$.)

PARAMETER	SYMBOL	CONDITIONS	MIN	TYP	MAX	UNITS
POWER REQUIREMENTS						
Supply Voltage Range	V_{DD}		1.8		5.5	V
Supply Current (Note 9)	I_{DD}	MAX5533/MAX5535	$V_{DD} = 5V$	7.0	8.0	μA
			$V_{DD} = 3V$	6.4	8.0	
			$V_{DD} = 1.8V$	7.0	8.0	
		MAX5532/MAX5534	$V_{DD} = 5V$	3.8	5.0	
			$V_{DD} = 3V$	3.8	5.0	
			$V_{DD} = 1.8V$	4.7	6.0	
Standby Supply Current	I_{DDSD}	MAX5533/MAX5535 (Note 9)	$V_{DD} = 5V$	3.3	4.5	μA
			$V_{DD} = 3V$	2.8	4.0	
			$V_{DD} = 1.8V$	2.4	3.5	
Shutdown Supply Current	I_{DDPD}	(Note 9)		0.05	0.25	μA

TIMING CHARACTERISTICS

($V_{DD} = +4.5V$ to $+5.5V$, $T_A = T_{MIN}$ to T_{MAX} , unless otherwise noted. Typical values are at $T_A = +25^\circ C$.)

PARAMETER	SYMBOL	CONDITIONS	MIN	TYP	MAX	UNITS
TIMING CHARACTERISTICS ($V_{DD} = 4.5V$ to $5.5V$)						
Serial Clock Frequency	f_{SCLK}		0		16.7	MHz
DIN to SCLK Rise Setup Time	t_{DS}		15			ns
DIN to SCLK Rise Hold Time	t_{DH}		0			ns
SCLK Pulse-Width High	t_{CH}		24			ns
SCLK Pulse-Width Low	t_{CL}		24			ns
\overline{CS} Pulse-Width High	t_{CSW}		100			ns
SCLK Rise to \overline{CS} Rise Hold Time	t_{CSH}		0			ns
\overline{CS} Fall to SCLK Rise Setup Time	t_{CSS}		20			ns
SCLK Fall to \overline{CS} Fall Setup	t_{CSO}		0			ns
\overline{CS} Rise to SCLK Rise Hold Time	t_{CS1}		20			ns

Dual, Ultra-Low-Power, 12-Bit, Voltage-Output DACs

TIMING CHARACTERISTICS

(V_{DD} = +1.8V to +5.5V, T_A = T_{MIN} to T_{MAX}, unless otherwise noted. Typical values are at T_A = +25°C.)

PARAMETER	SYMBOL	CONDITIONS	MIN	TYP	MAX	UNITS
TIMING CHARACTERISTICS (V_{DD} = 1.8V to 5.5V)						
Serial Clock Frequency	f _{SCLK}		0		10	MHz
DIN to SCLK Rise Setup Time	t _{DS}		24			ns
DIN to SCLK Rise Hold Time	t _{DH}		0			ns
SCLK Pulse-Width High	t _{CH}		40			ns
SCLK Pulse-Width Low	t _{CL}		40			ns
$\overline{\text{CS}}$ Pulse-Width High	t _{CSW}		150			ns
SCLK Rise to $\overline{\text{CS}}$ Rise Hold Time	t _{CSH}		0			ns
$\overline{\text{CS}}$ Fall to SCLK Rise Setup Time	t _{CSS}		30			ns
SCLK Rise to $\overline{\text{CS}}$ Fall Setup	t _{CSO}		0			ns
$\overline{\text{CS}}$ Rise to SCK Rise Hold Time	t _{CS1}		30			ns

Note 1: Linearity is tested within codes 96 to 4080.

Note 2: Offset is tested at code 96.

Note 3: Gain is tested at code 4095. For the MAX5534/MAX5535, FB₋ is connected to its respective OUT₋.

Note 4: Guaranteed by design. Not production tested.

Note 5: V_{DD} must be a minimum of 1.8V.

Note 6: Outputs can be shorted to V_{DD} or GND indefinitely, provided that package power dissipation is not exceeded.

Note 7: Optimal noise performance is at 2nF load capacitance.

Note 8: Thermal hysteresis is defined as the change in the initial +25°C output voltage after cycling the device from T_{MAX} to T_{MIN}.

Note 9: All digital inputs at V_{DD} or GND.

Note 10: Load = 10kΩ in parallel with 100pF, V_{DD} = 5V, V_{REF} = 4.096V (MAX5532/MAX5534) or V_{REF} = 3.9V (MAX5533/MAX5535).

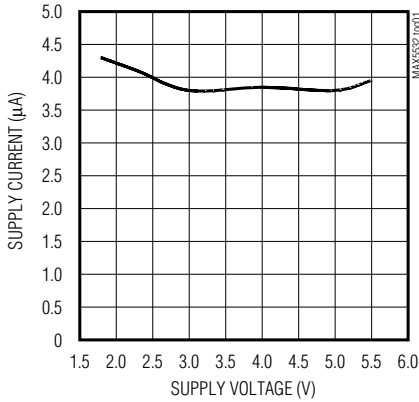
Dual, Ultra-Low-Power, 12-Bit, Voltage-Output DACs

Typical Operating Characteristics

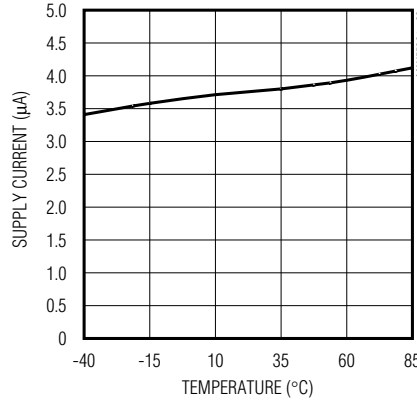
($V_{DD} = 5.0V$, $V_{REF} = 4.096V$ (MAX5532/MAX5534), $V_{REF} = 3.9V$ (MAX5533/MAX5535), $T_A = +25^\circ C$, unless otherwise noted.)

MAX5532-MAX5535

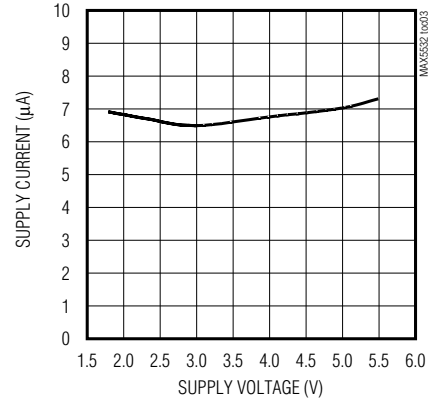
SUPPLY CURRENT vs. SUPPLY VOLTAGE (MAX5532/MAX5534)



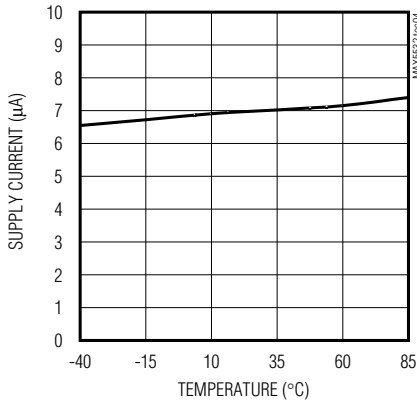
SUPPLY CURRENT vs. TEMPERATURE (MAX5532/MAX5534)



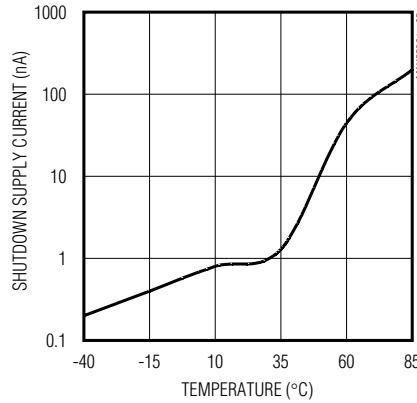
SUPPLY CURRENT vs. SUPPLY VOLTAGE (MAX5533/MAX5535)



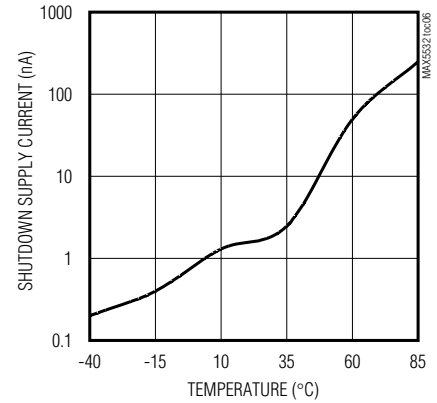
SUPPLY CURRENT vs. TEMPERATURE (MAX5533/MAX5535)



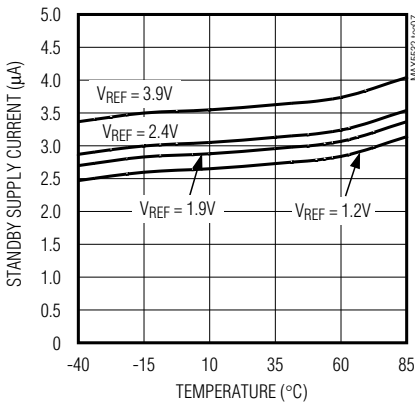
SHUTDOWN SUPPLY CURRENT vs. TEMPERATURE (MAX5532/MAX5534)



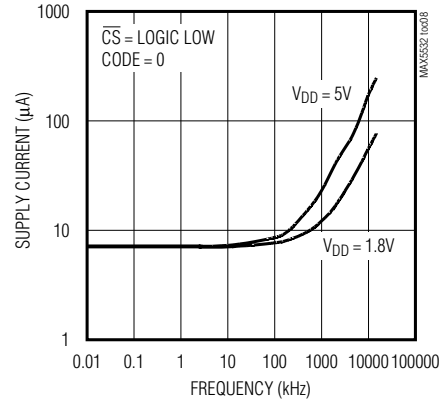
SHUTDOWN SUPPLY CURRENT vs. TEMPERATURE (MAX5533/MAX5535)



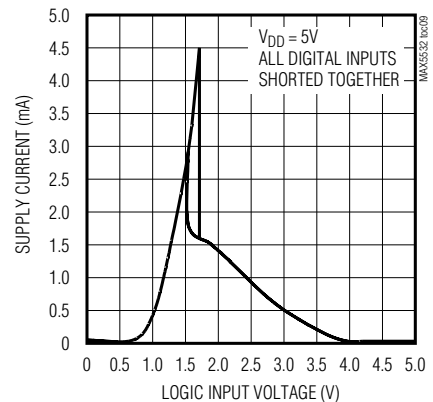
STANDBY SUPPLY CURRENT vs. TEMPERATURE (MAX5533/MAX5535)



SUPPLY CURRENT vs. CLOCK FREQUENCY



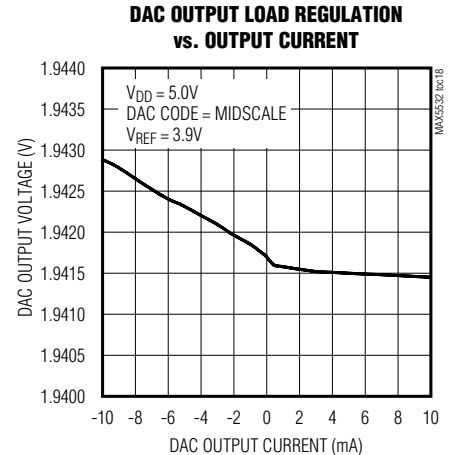
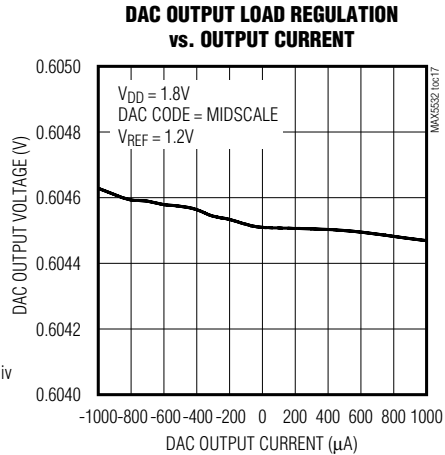
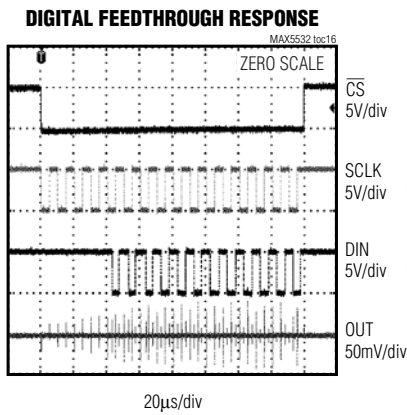
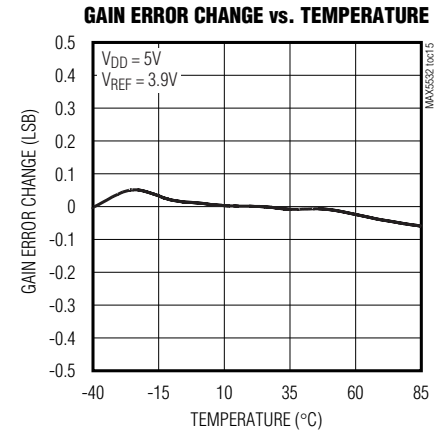
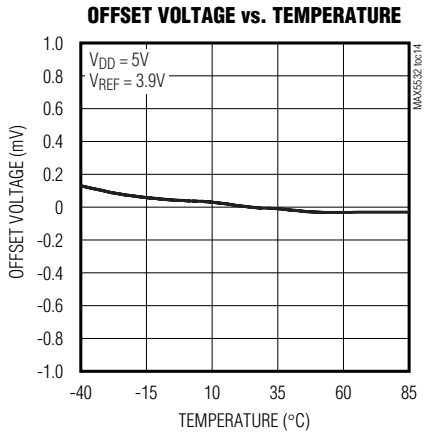
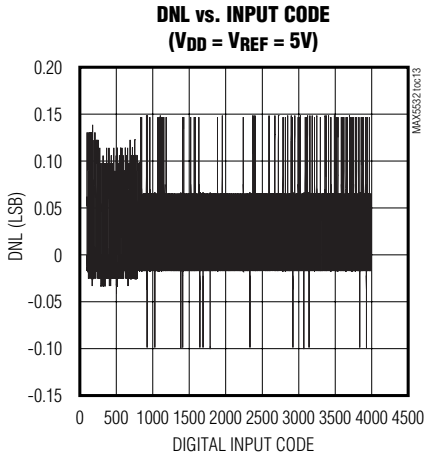
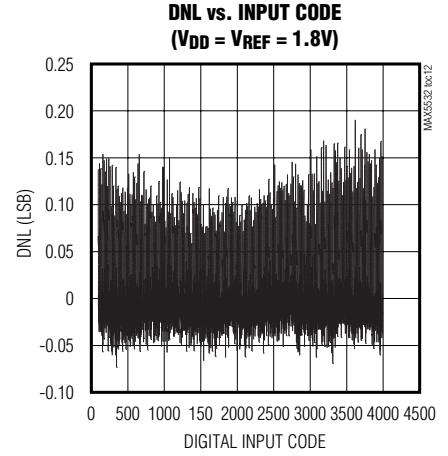
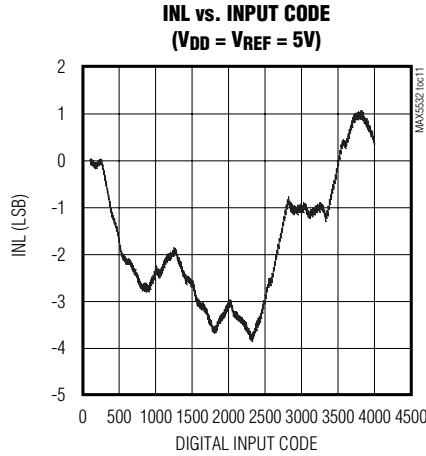
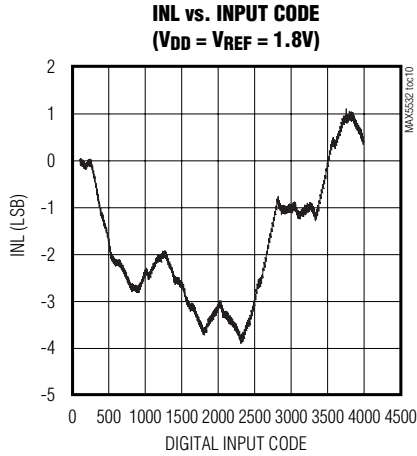
SUPPLY CURRENT vs. LOGIC INPUT VOLTAGE



Dual, Ultra-Low-Power, 12-Bit, Voltage-Output DACs

Typical Operating Characteristics (continued)

($V_{DD} = 5.0V$, $V_{REF} = 4.096V$ (MAX5532/MAX5534), $V_{REF} = 3.9V$ (MAX5533/MAX5535), $T_A = +25^\circ C$, unless otherwise noted.)



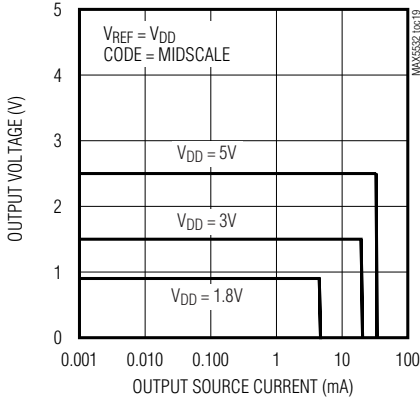
Dual, Ultra-Low-Power, 12-Bit, Voltage-Output DACs

Typical Operating Characteristics (continued)

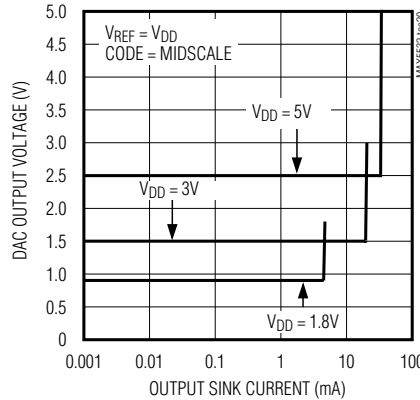
($V_{DD} = 5.0V$, $V_{REF} = 4.096V$ (MAX5532/MAX5534), $V_{REF} = 3.9V$ (MAX5533/MAX5535), $T_A = +25^\circ C$, unless otherwise noted.)

MAX5532-MAX5535

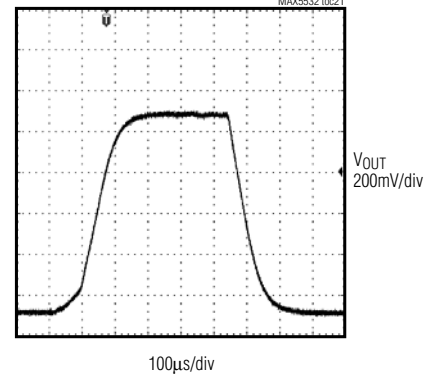
DAC OUTPUT VOLTAGE vs. OUTPUT SOURCE CURRENT



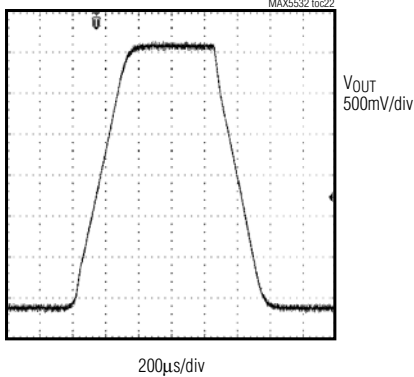
DAC OUTPUT VOLTAGE vs. OUTPUT SINK CURRENT



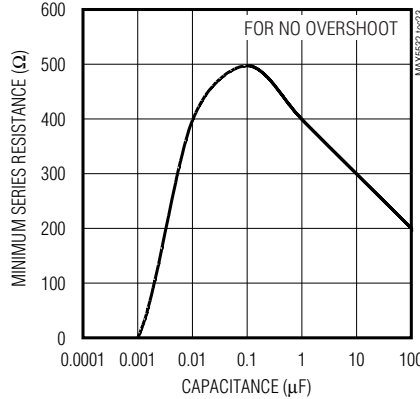
OUTPUT LARGE-SIGNAL STEP RESPONSE ($V_{DD} = 1.8V$, $V_{REF} = 1.2V$)



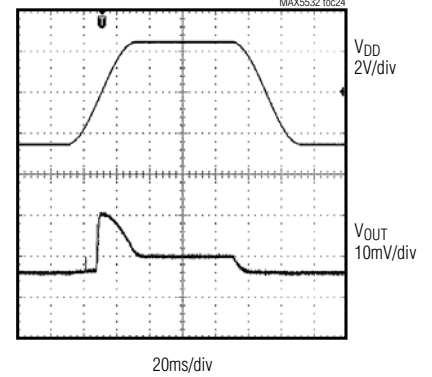
OUTPUT LARGE-SIGNAL STEP RESPONSE ($V_{DD} = 5V$, $V_{REF} = 3.9V$)



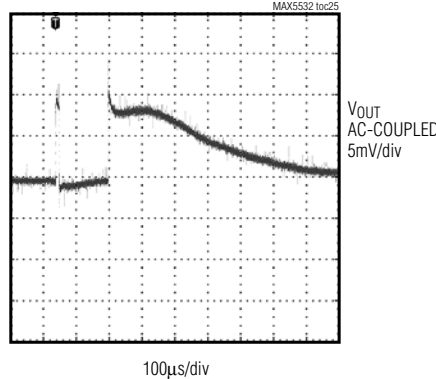
OUTPUT MINIMUM SERIES RESISTANCE vs. LOAD CAPACITANCE FOR NO OVERSHOOT



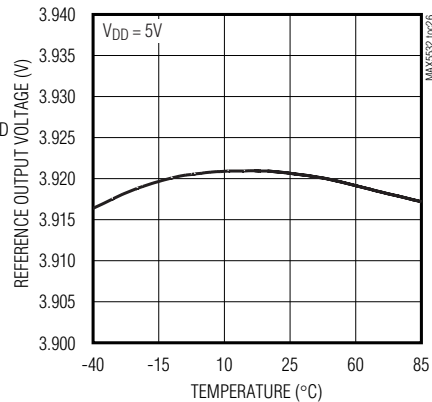
POWER-UP OUTPUT VOLTAGE GLITCH



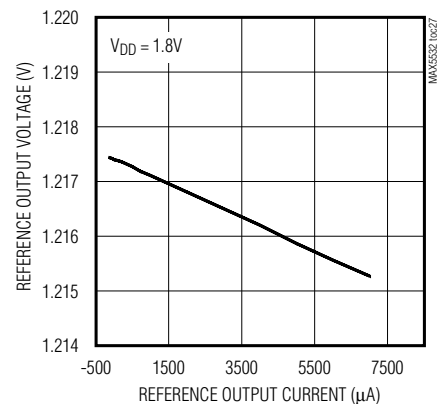
MAJOR CARRY OUTPUT VOLTAGE GLITCH (CODE 7FFh TO 800h) ($V_{DD} = 5V$, $V_{REF} = 3.9V$)



REFERENCE OUTPUT VOLTAGE vs. TEMPERATURE



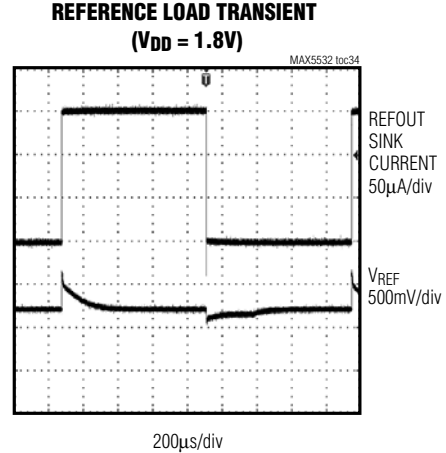
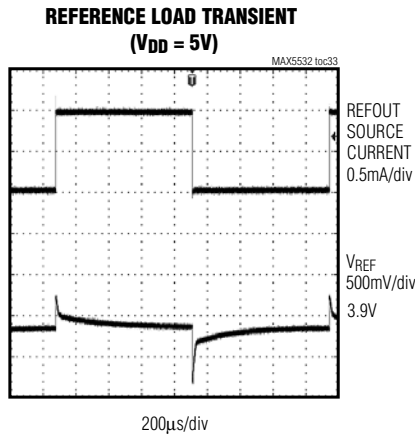
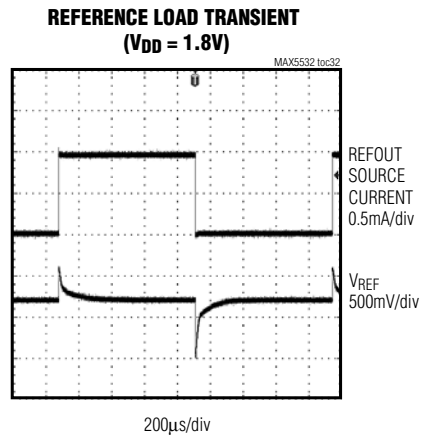
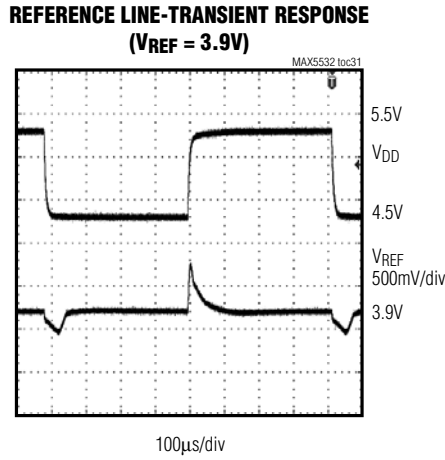
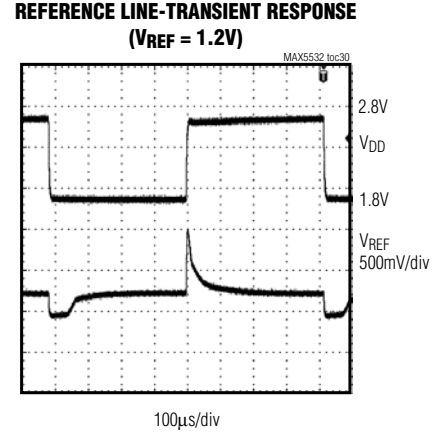
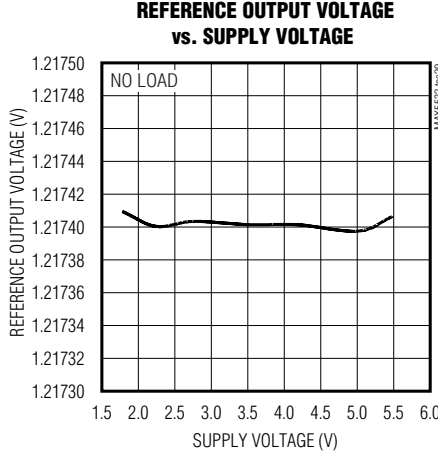
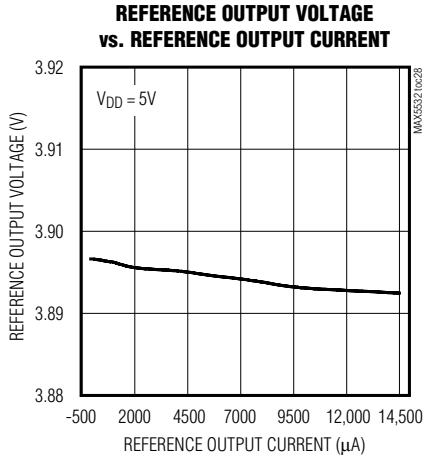
REFERENCE OUTPUT VOLTAGE vs. REFERENCE OUTPUT CURRENT



Dual, Ultra-Low-Power, 12-Bit, Voltage-Output DACs

Typical Operating Characteristics (continued)

($V_{DD} = 5.0V$, $V_{REF} = 4.096V$ (MAX5532/MAX5534), $V_{REF} = 3.9V$ (MAX5533/MAX5535), $T_A = +25^\circ C$, unless otherwise noted.)



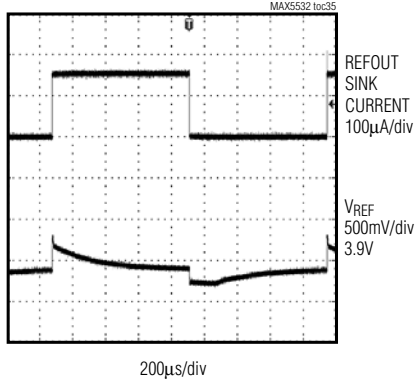
Dual, Ultra-Low-Power, 12-Bit, Voltage-Output DACs

MAX5532-MAX5535

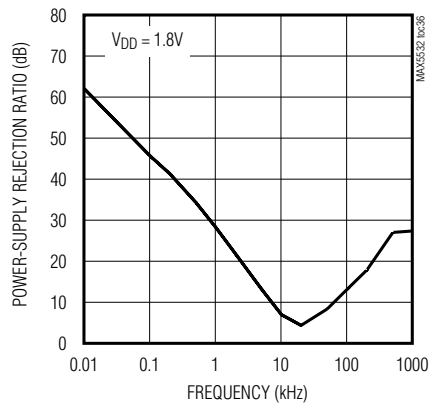
Typical Operating Characteristics (continued)

($V_{DD} = 5.0V$, $V_{REF} = 4.096V$ (MAX5532/MAX5534), $V_{REF} = 3.9V$ (MAX5533/MAX5535), $T_A = +25^\circ C$, unless otherwise noted.)

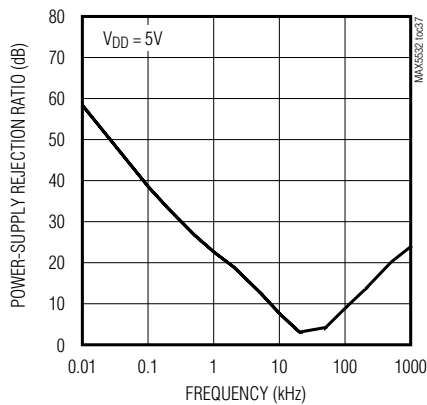
REFERENCE LOAD TRANSIENT
($V_{DD} = 5V$)



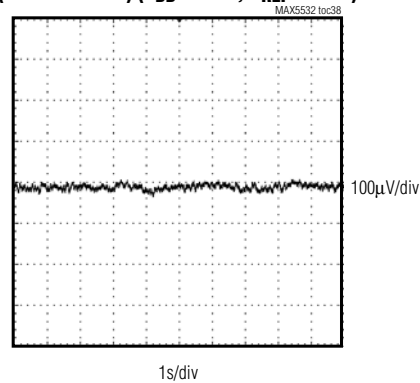
REFERENCE PSRR vs. FREQUENCY



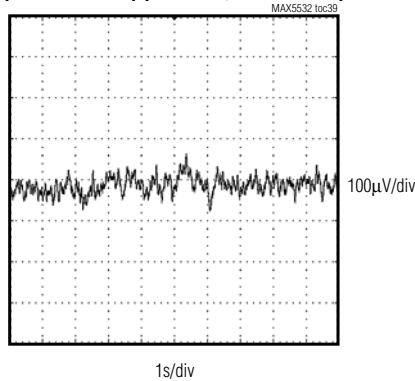
REFERENCE PSRR vs. FREQUENCY



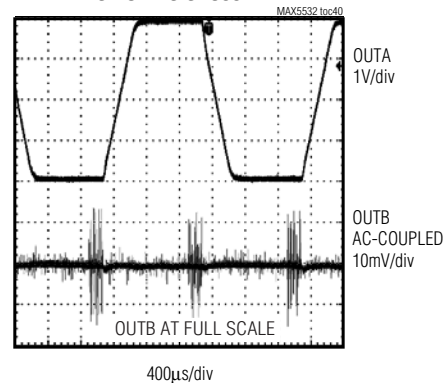
REFERENCE OUTPUT NOISE (0.1Hz TO 10Hz) ($V_{DD} = 1.8V$, $V_{REF} = 1.2V$)



REFERENCE OUTPUT NOISE (0.1Hz TO 10Hz) ($V_{DD} = 5V$, $V_{REF} = 3.9V$)



DAC-TO-DAC CROSSTALK

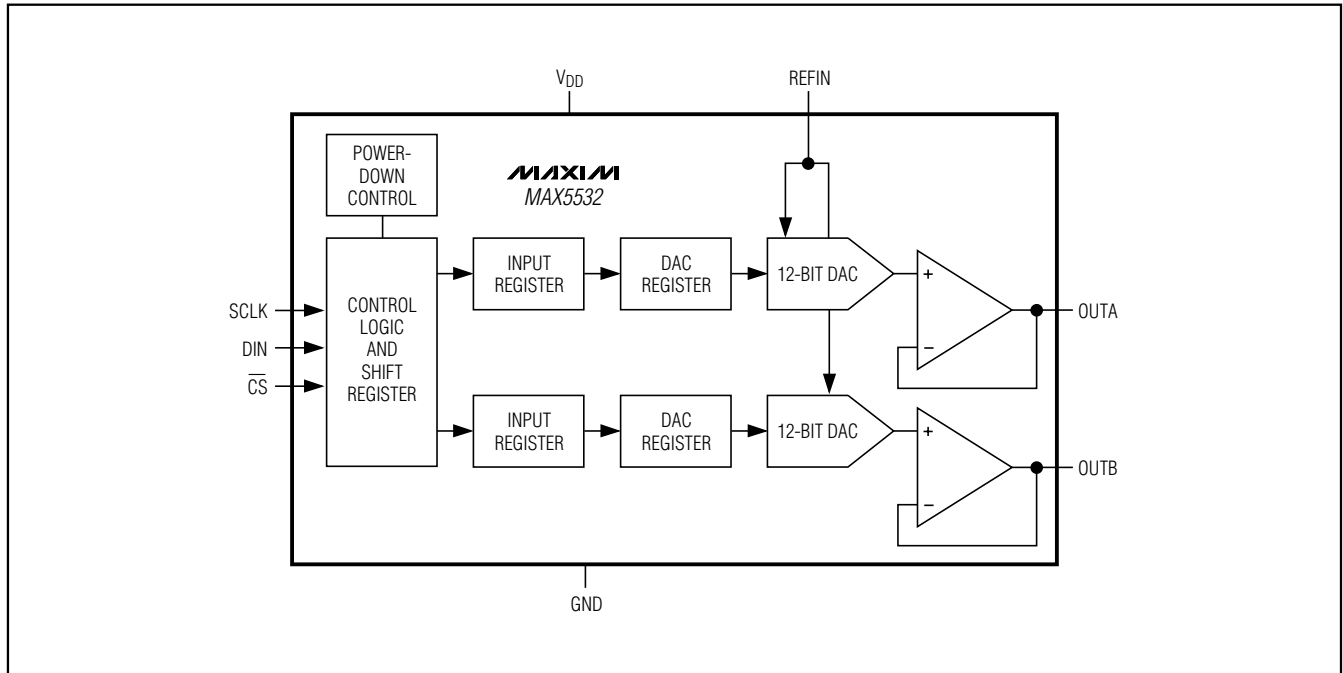


Dual, Ultra-Low-Power, 12-Bit, Voltage-Output DACs

Pin Description

PIN				NAME	FUNCTION
MAX5532	MAX5533	MAX5534	MAX5535		
1	1	1	1	\overline{CS}	Active-Low Digital Chip-Select Input
2	2	2	2	SCLK	Serial-Interface Clock Input
3	3	3	3	DIN	Serial-Interface Data Input
4	—	4	—	REFIN	Reference Input
—	4	—	4	REFOUT	Reference Output
—	—	5, 11	5, 11	N.C.	No Connection. Leave N.C. inputs unconnected (floating) or connected to GND.
—	—	6	6	FBB	Channel B Feedback Input
5	5	7	7	OUTB	Channel B Analog Voltage Output
6	6	8	8	V _{DD}	Power Input. Connect V _{DD} to a 1.8V to 5.5V power supply. Bypass V _{DD} to GND with a 0.1μF capacitor.
7	7	9	9	GND	Ground
8	8	10	10	OUTA	Channel A Analog Voltage Output
—	—	12	12	FBA	Channel A Feedback Input
—	—	EP	EP	Exposed Paddle	Exposed Paddle. Connect EP to GND.

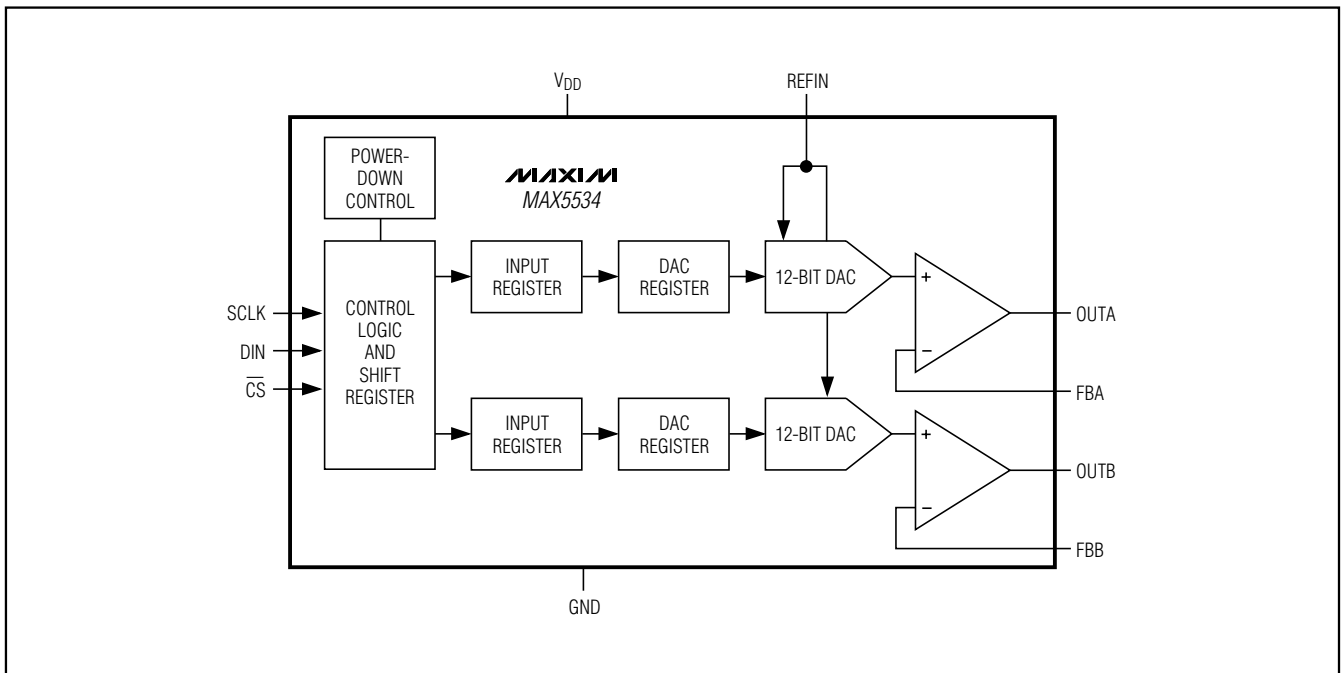
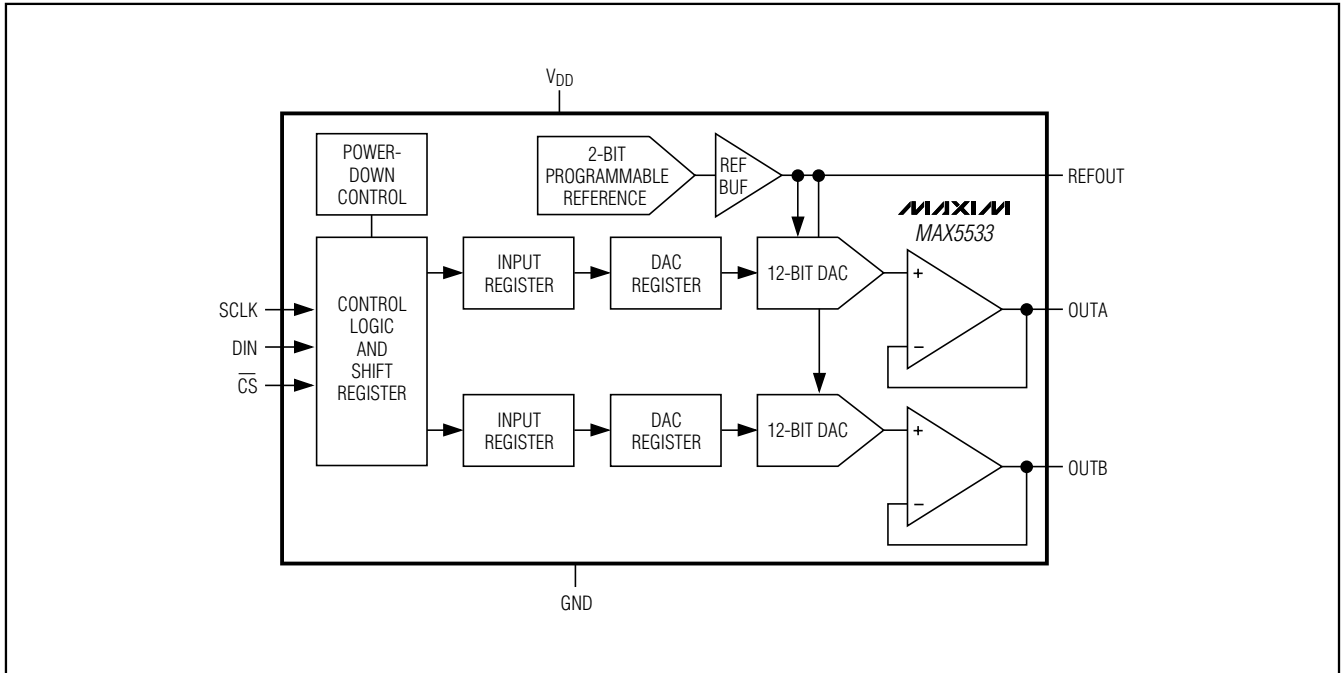
Functional Diagrams



Dual, Ultra-Low-Power, 12-Bit, Voltage-Output DACs

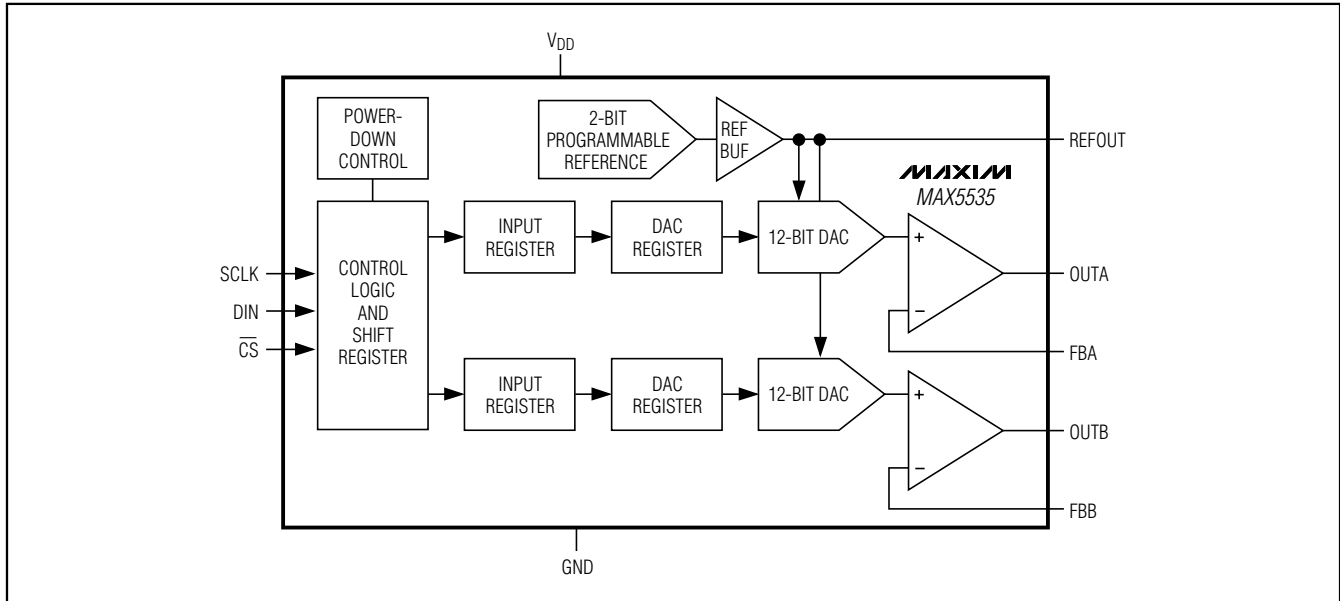
Functional Diagrams (continued)

MAX5532-MAX5535



Dual, Ultra-Low-Power, 12-Bit, Voltage-Output DACs

Functional Diagrams (continued)



Detailed Description

The MAX5532-MAX5535 dual, 12-bit, ultra-low-power, voltage-output DACs offer rail-to-rail buffered voltage outputs. The DACs operate from a 1.8V to 5.5V supply and require only 5 μ A (max) supply current. These devices feature a shutdown mode that reduces overall current, including the reference input current, to just 0.18 μ A (max). The MAX5533/MAX5535 include an internal reference that saves additional board space and can source up to 8mA, making it functional as a system reference. The 16MHz, 3-wire serial interface is compatible with SPI, QSPI, and MICROWIRE protocols. When V_{DD} is applied, all DAC outputs are driven to zero scale with virtually no output glitch. The MAX5532/MAX5533 output buffers are configured in unity gain and come in μ MAX packages. The MAX5534/MAX5535 output buffers are configured in force sense allowing users to externally set voltage gains on the output (an output-amplifier inverting input is available). The MAX5534/MAX5535 come in 4mm x 4mm thin QFN packages.

Digital Interface

The MAX5532-MAX5535 use a 3-wire serial interface that is compatible with SPI/QSPI/MICROWIRE protocols (Figures 1 and 2).

The MAX5532-MAX5535 include a single, 16-bit, input shift register. Data loads into the shift register through the serial interface. \overline{CS} must remain low until all 16 bits are clocked in. The 16 bits consist of 4 control bits (C3-C0) and 12 data bits (D11-D0) (Table 1). Following the control bits, the data loads MSB first, D11-D0. The control bits C3-C0 control the MAX5532-MAX5535, as outlined in Table 2.

Each DAC channel includes two registers: an input register and a DAC register. The input register holds input data. The DAC register contains the data updated to the DAC output.

The double-buffered register configuration allows any of the following:

- Loading the input registers without updating the DAC registers
- Updating the DAC registers from the input registers
- Updating all the input and DAC registers simultaneously

Dual, Ultra-Low-Power, 12-Bit, Voltage-Output DACs

MAX5532-MAX5535

Table 1. Serial Write Data Format

CONTROL				DATA BITS												
MSB																LSB
C3	C2	C1	C0	D11	D10	D9	D8	D7	D6	D5	D4	D3	D2	D1	D0	

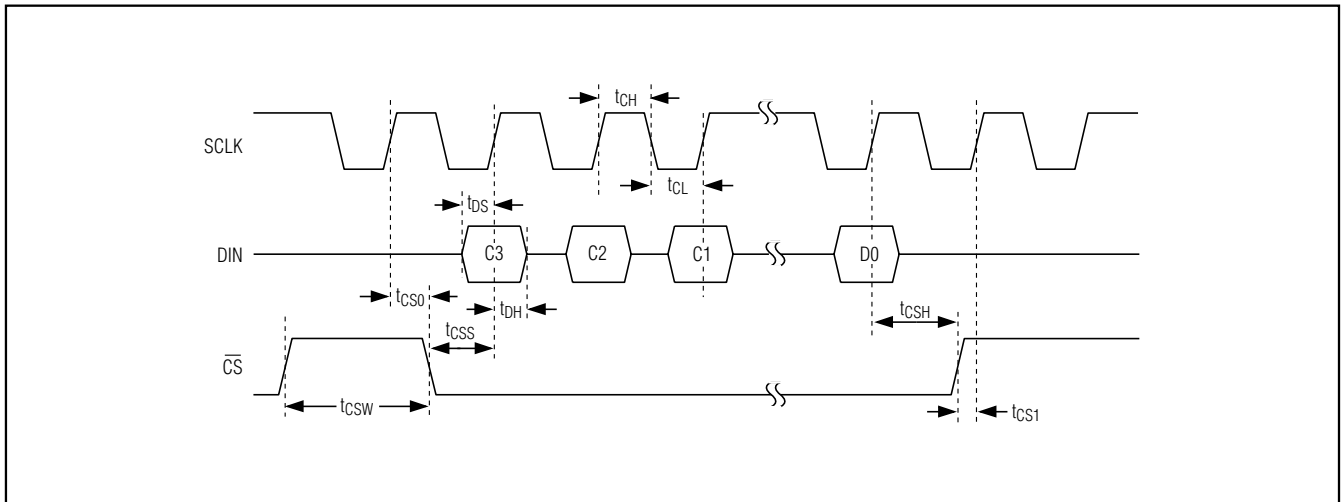


Figure 1. Timing Diagram

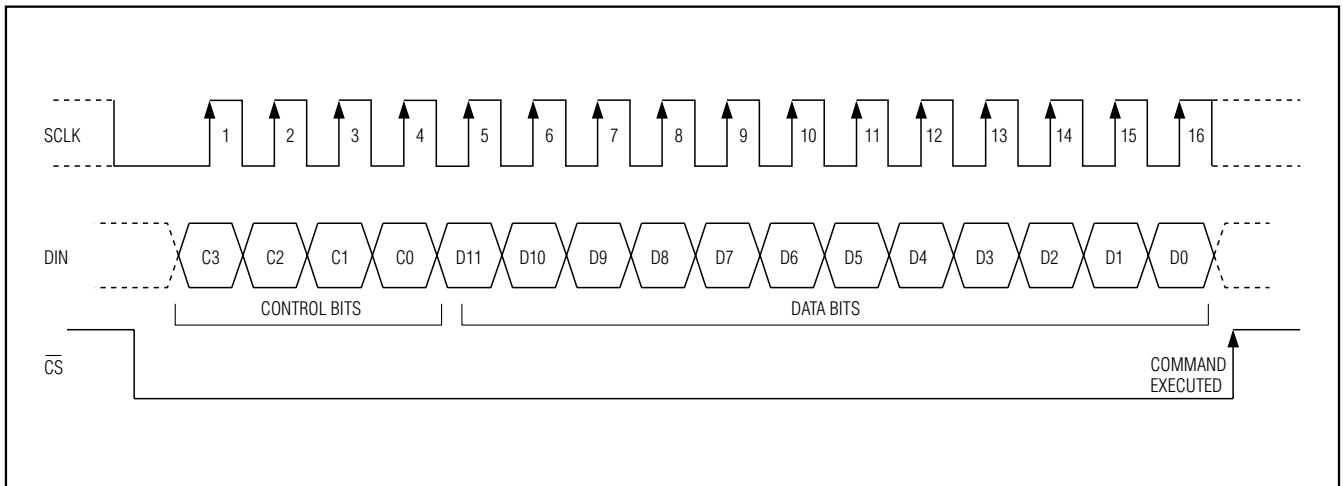


Figure 2. Register Loading Diagram

Dual, Ultra-Low-Power, 12-Bit, Voltage-Output DACs

Table 2. Serial-Interface Programming Commands

CONTROL BITS				INPUT DATA	FUNCTION
C3	C2	C1	C0	D11–D0	
0	0	0	0	XXXXXXXXXXXX	No operation; command is ignored.
0	0	0	1	12-bit data	Load input register A from shift register; DAC registers unchanged; DAC outputs unchanged.
0	0	1	0	12-bit data	Load input register B from shift register; DAC registers unchanged; DAC outputs unchanged.
0	0	1	1	—	Command reserved. Do not use.
0	1	0	0	—	Command reserved. Do not use.
0	1	0	1	—	Command reserved. Do not use.
0	1	1	0	—	Command reserved. Do not use.
0	1	1	1	—	Command reserved. Do not use.
1	0	0	0	12-bit data	Load DAC registers A and B from respective input registers; DAC outputs A and B updated; MAX5533/MAX5535 enter normal operation if in standby or shutdown; MAX5532/MAX5534 enter normal operation if in shutdown.
1	0	0	1	12-bit data	Load input register A and DAC register A from shift register; DAC output A updated; Load DAC register B from input register B; DAC output B updated; MAX5533/MAX5535 enter normal operation if in standby or shutdown; MAX5532/MAX5534 enter normal operation if in shutdown.
1	0	1	0	12-bit data	Load input register B and DAC register B from shift register; DAC output B updated; Load DAC register A from input register A; DAC output A updated; MAX5533/MAX5535 enter normal operation if in standby or shutdown; MAX5532/MAX5534 enter normal operation if in shutdown.
1	0	1	1	—	Command reserved. Do not use.
1	1	0	0	D11, D10, XXXXXXXXXX	MAX5533/MAX5535 enter standby*, MAX5532/MAX5534 enter shutdown. For the MAX5533/MAX5535, D11 and D10 configure the internal reference voltage (Table 3).
1	1	0	1	D11, D10, XXXXXXXXXX	MAX5532–MAX5535 enter normal operation; DAC outputs reflect existing contents of DAC registers. For the MAX5533/MAX5535, D11 and D10 configure the internal reference voltage (Table 3).
1	1	1	0	D11, D10, XXXXXXXXXX	MAX5532–MAX5535 enter shutdown; DAC outputs set to high impedance. For the MAX5533/MAX5535, D11 and D10 configure the internal reference voltage (Table 3).
1	1	1	1	12-bit data	Load input registers A and B and DAC registers A and B from shift register; DAC outputs A and B updated; MAX5533/MAX5535 enter normal operation if in standby or shutdown; MAX5532/MAX5534 enter normal operation if in shutdown.

X = Don't care.

*Standby mode can be entered from normal operation only. It is not possible to enter standby mode from shutdown.

Dual, Ultra-Low-Power, 12-Bit, Voltage-Output DACs

Power Modes

The MAX5532–MAX5535 feature two power modes to conserve power during idle periods. In normal operation, the device is fully operational. In shutdown mode, the device is completely powered down, including the internal voltage reference in the MAX5533/MAX5535. The MAX5533/MAX5535 also offer a standby mode in which all circuitry is powered down except the internal voltage reference. Standby mode keeps the reference powered up while the remaining circuitry is shut down, allowing it to be used as a system reference. It also helps reduce the wake-up delay by not requiring the reference to power up when returning to normal operation.

Shutdown Mode

The MAX5532–MAX5535 feature a software-programmable shutdown mode that reduces the supply current and the reference input current to 0.18μA (max). Writing an input control word with control bits C[3:0] = 1110 (Table 2) places the device in shutdown mode. In shutdown, the MAX5532/MAX5534 reference input and DAC output buffers go high impedance. Placing the MAX5533/MAX5535 into shutdown turns off the internal reference and the DAC output buffers go high impedance. The serial interface still remains active for all devices.

Table 2 shows several commands that bring the MAX5532–MAX5535 back to normal operation. The power-up time from shutdown is required before the DAC outputs are valid.

Note: For the MAX5533/MAX5535, standby mode cannot be entered directly from shutdown mode. The device must be brought into normal operation first before entering standby mode.

Standby Mode (MAX5533/MAX5535 Only)

The MAX5533/MAX5535 feature a software-programmable standby mode that reduces the typical supply current to 3μA (max). Standby mode powers down all circuitry except the internal voltage reference. Place the device in standby mode by writing an input control word with control bits C[3:0] = 1100 (Table 2). The internal reference and serial interface remain active while the DAC output buffers go high impedance.

For the MAX5533/MAX5535, standby mode cannot be entered directly from shutdown mode. The device must be brought into normal operation first before entering standby mode. To enter standby from shutdown, issue the command to return to normal operation followed immediately by the command to go into standby.

Table 2 shows several commands that bring the MAX5533/MAX5535 back to normal operation. When transitioning from standby mode to normal operation, only the DAC power-up time is required before the DAC outputs are valid.

Reference Input

The MAX5532/MAX5534 accept a reference with a voltage range extending from 0 to V_{DD}. The output voltage (V_{OUT}) is represented by a digitally programmable voltage source as:

$$V_{OUT} = (V_{REF} \times N / 4096) \times \text{gain}$$

where N is the numeric value of the DAC's binary input code (0 to 4095), V_{REF} is the reference voltage, gain is the externally set voltage gain for the MAX5534, and gain is one for the MAX5532.

In shutdown mode, the reference input enters a high-impedance state with an input impedance of 2.5GΩ (typ).

Reference Output

The MAX5533/MAX5535 internal voltage reference is software configurable to one of four voltages. Upon power-up, the default reference voltage is 1.214V. Configure the reference voltage using D10 and D11 data bits (Table 3) when the control bits are as follows C[3:0] = 1100, 1101, or 1110 (Table 2). V_{DD} must be kept at a minimum of 200mV above V_{REF} for proper operation.

Table 3. Reference Output Voltage Programming

D11	D10	REFERENCE VOLTAGE (V)
0	0	1.214
0	1	1.940
1	0	2.425
1	1	3.885

Dual, Ultra-Low-Power, 12-Bit, Voltage-Output DACs

Applications Information

1-Cell and 2-Cell Circuits

See Figure 3 for an illustration of how to power the MAX5532-MAX5535 with either one lithium-ion battery or two alkaline batteries. The low current consumption of the devices make the MAX5532-MAX5535 ideal for battery-powered applications.

Programmable Current Source

See the circuit in Figure 4 for an illustration of how to configure the MAX5534/MAX5535 as a programmable current source for driving an LED. The MAX5534/MAX5535 drive a standard NPN transistor to program the current source. The current source (I_{LED}) is defined in the equation in Figure 4.

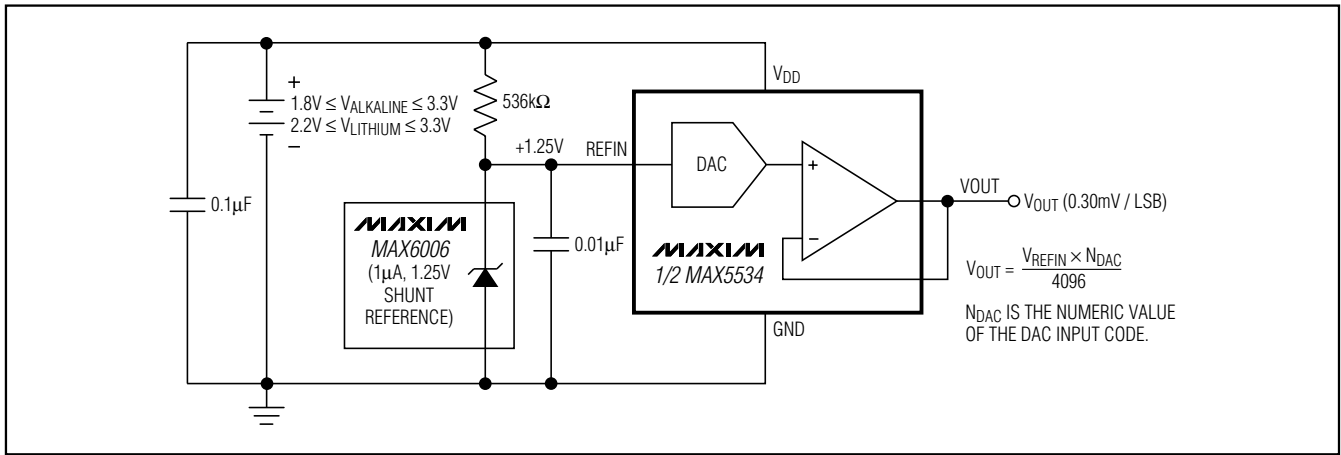


Figure 3. Portable Application Using Two Alkaline Cells or One Lithium Coin Cell

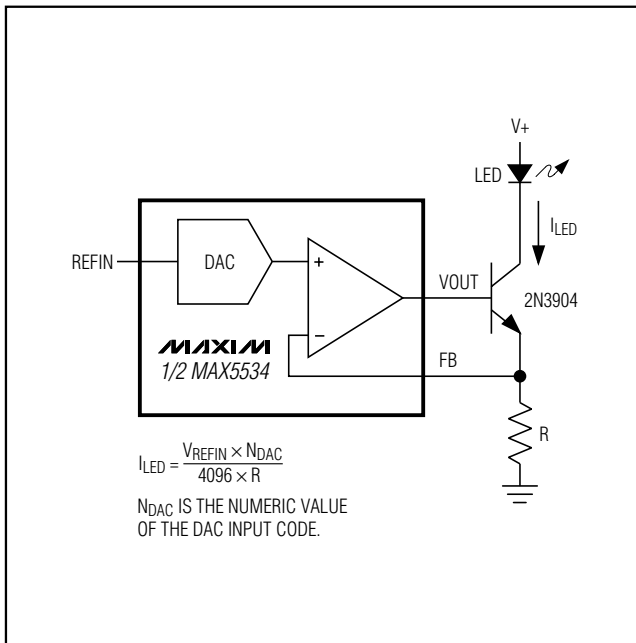


Figure 4. Programmable Current Source Driving an LED

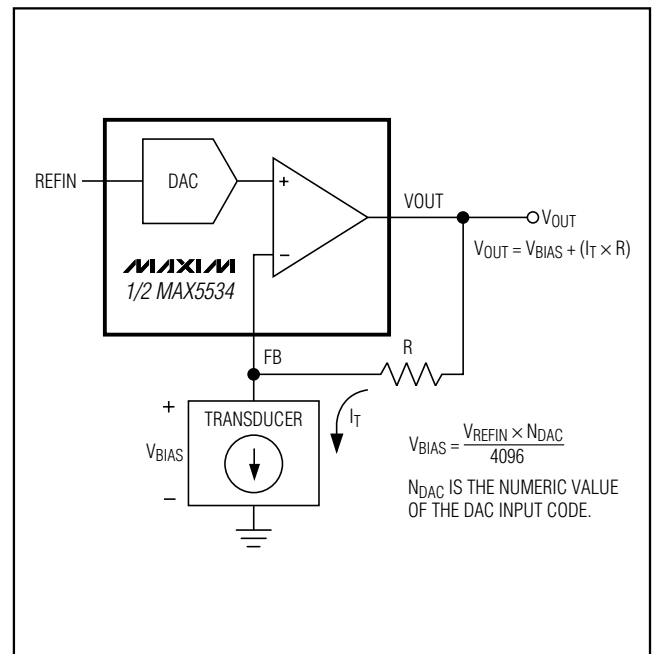


Figure 5. Transimpedance Configuration for a Voltage-Biased Current-Output Transducer

Dual, Ultra-Low-Power, 12-Bit, Voltage-Output DACs

Voltage Biasing a Current-Output Transducer

See the circuit in Figure 5 for an illustration of how to configure the MAX5534/MAX5535 to bias a current-output transducer. In Figure 5, the output voltage of the MAX5534/MAX5535 is a function of the voltage drop across the transducer added to the voltage drop across the feedback resistor R.

Unipolar Output

Figure 6 shows the MAX5534 in a unipolar output configuration with unity gain. Table 4 lists the unipolar output codes.

Bipolar Output

The MAX5534 output can be configured for bipolar operation as shown in Figure 7. The output voltage is given by the following equation:

$$V_{OUT_} = V_{REFIN} \times [(N_A - 2048) / 2048]$$

where N_A represents the decimal value of the DAC's binary input code. Table 5 shows the digital codes (offset binary) and the corresponding output voltage for the circuit in Figure 7.

Configurable Output Gain

The MAX5534/MAX5535 have force-sense outputs, which provide a connection directly to the inverting terminal of the output op-amp, yielding the most flexibility. The advantage of the force-sense output is that specific gains can be set externally for a given application. The gain error for the MAX5534/MAX5535 is specified in a unity-gain configuration (op-amp output and inverting terminals connected), and additional gain error results from external resistor tolerances. Another advantage of the force-sense DAC is that it allows many useful circuits to be created with only a few simple external components.

An example of a custom fixed gain using the MAX5534/MAX5535 force-sense output is shown in Figure 8. In this example, R1 and R2 set the gain for V_{OUTA} .

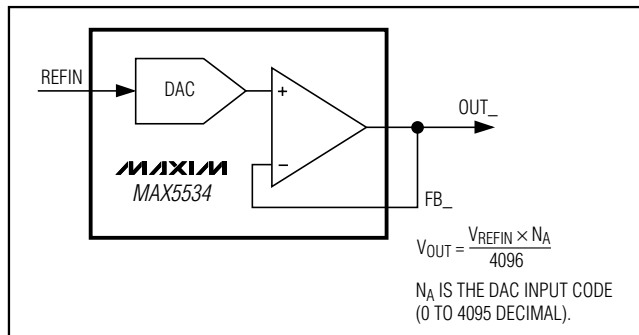


Figure 6. Unipolar Output Circuit

$$V_{OUTA} = [(V_{REFIN} \times N_A) / 4096] \times [1 + (R2 / R1)]$$

where N_A represents the numeric value of the DAC input code.

Self-Biased Two-Electrode Potentiostat Application

See the circuit in Figure 10 for an illustration of how to use the MAX5535 to bias a two-electrode potentiostat on the input of an ADC.

Power Supply and Bypassing Considerations

Bypass the power supply with a 0.1µF capacitor to GND. Minimize lengths to reduce lead inductance. If noise becomes an issue, use shielding and/or ferrite beads to increase isolation. For the thin QFN package, connect the exposed pad to ground.

Layout Considerations

Digital and AC transient signals coupling to GND can create noise at the output. Use proper grounding techniques, such as a multilayer board with a low-inductance ground plane. Wire-wrapped boards and sockets are not recommended. For optimum system performance, use printed circuit (PC) boards. Good PC board ground layout minimizes crosstalk between DAC outputs, reference inputs, and digital inputs. Reduce crosstalk by keeping analog lines away from digital lines.

Table 4. Unipolar Code Table (Gain = +1)

DAC CONTENTS			ANALOG OUTPUT
MSB	LSB		
1111	1111	1111	+V _{REF} (4095/4096)
1000	0000	0001	+V _{REF} (2049/4096)
1000	0000	0000	+V _{REF} (2048/4096) = +V _{REF} / 2
0111	1111	1111	+V _{REF} (2047/4096)
0000	0000	0001	+V _{REF} (1/4096)
0000	0000	0000	0V

Table 5. Bipolar Code Table (Gain = +1)

DAC CONTENTS			ANALOG OUTPUT
MSB	LSB		
1111	1111	1111	+V _{REF} (2047/2048)
1000	0000	0001	+V _{REF} (1/2048)
1000	0000	0000	0V
0111	1111	1111	-V _{REF} (1/2048)
0000	0000	0001	-V _{REF} (2047/2048)
0000	0000	0000	-V _{REF} (2048/2048) = -V _{REF}

Dual, Ultra-Low-Power, 12-Bit, Voltage-Output DACs

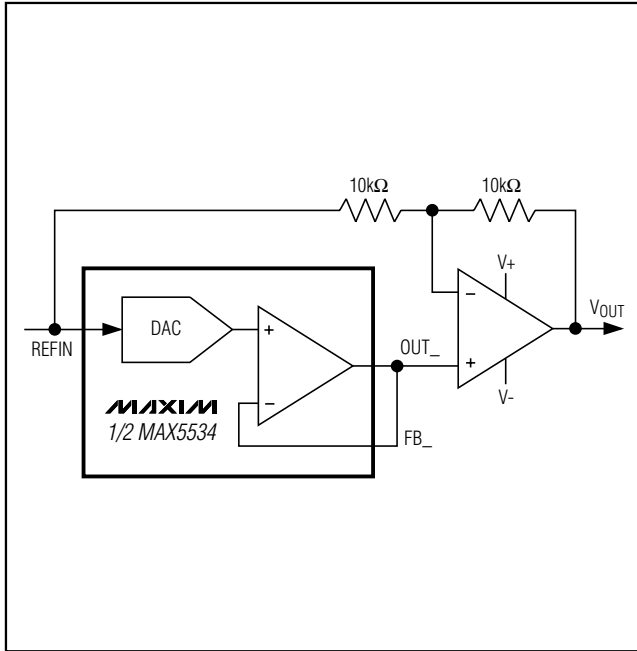


Figure 7. Bipolar Output Circuit

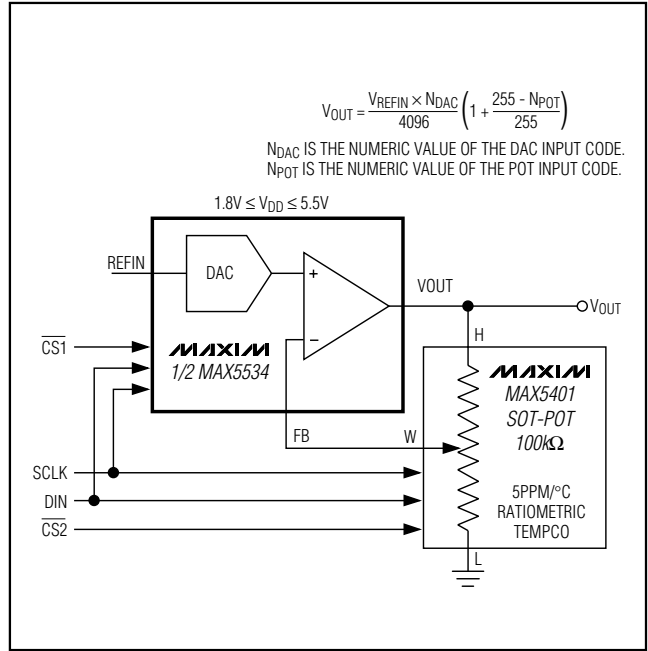


Figure 9. Software-Configurable Output Gain

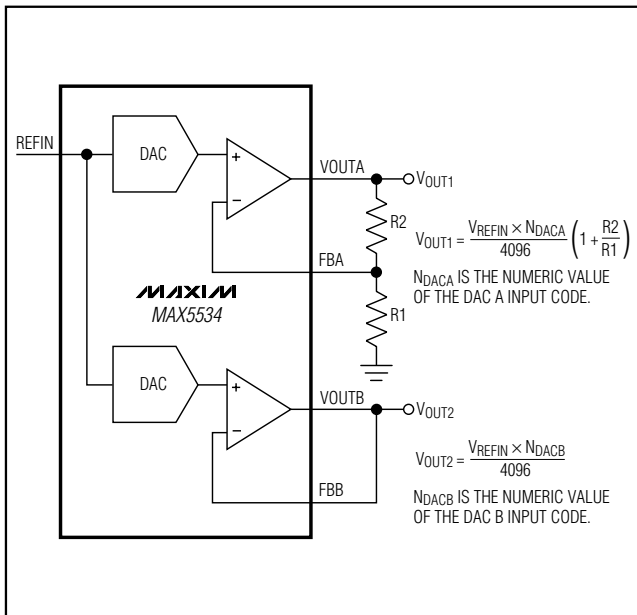


Figure 8. Separate Force-Sense Outputs Create Unity and Greater-than-Unity DAC Gains Using the Same Reference

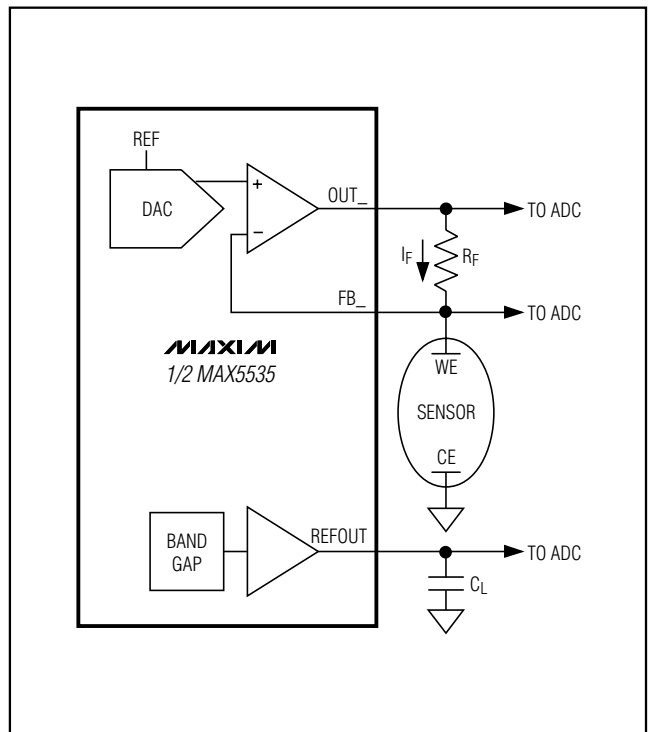


Figure 10. Self-Biased Two-Electrode Potentiostat Application

Dual, Ultra-Low-Power, 12-Bit, Voltage-Output DACs

MAX5532-MAX5535

Pin Configurations (continued)

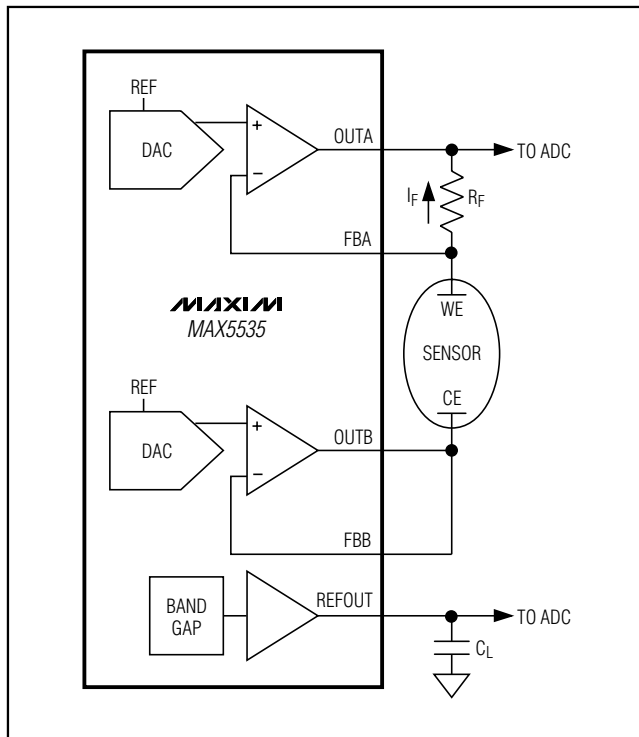
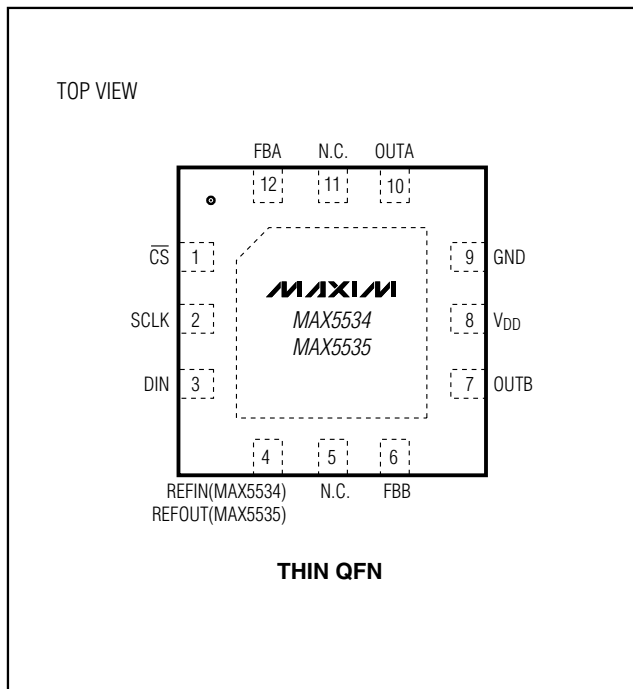


Figure 11. Driven Two-Electrode Potentiostat Application



Chip Information

TRANSISTOR COUNT: 10,688

PROCESS: BiCMOS

Revision History

Pages changed at Rev 1: 1, 6, 14, 21, 24.

Dual, Ultra-Low-Power, 12-Bit, Voltage-Output DACs

Package Information (continued)

(The package drawing(s) in this data sheet may not reflect the most current specifications. For the latest package outline information, go to www.maxim-ic.com/packages.)

MAX5532-MAX5535


COMMON DIMENSIONS															
PKG	12L 4x4			16L 4x4			20L 4x4			24L 4x4			28L 4x4		
REF.	MIN.	NOM.	MAX.	MIN.	NOM.	MAX.	MIN.	NOM.	MAX.	MIN.	NOM.	MAX.	MIN.	NOM.	MAX.
A	0.70	0.75	0.80	0.70	0.75	0.80	0.70	0.75	0.80	0.70	0.75	0.80	0.70	0.75	0.80
A1	0.0	0.02	0.05	0.0	0.02	0.05	0.0	0.02	0.05	0.0	0.02	0.05	0.0	0.02	0.05
A2	0.20 REF			0.20 REF			0.20 REF			0.20 REF			0.20 REF		
b	0.25	0.30	0.35	0.25	0.30	0.35	0.20	0.25	0.30	0.18	0.23	0.30	0.15	0.20	0.25
D	3.90	4.00	4.10	3.90	4.00	4.10	3.90	4.00	4.10	3.90	4.00	4.10	3.90	4.00	4.10
E	3.90	4.00	4.10	3.90	4.00	4.10	3.90	4.00	4.10	3.90	4.00	4.10	3.90	4.00	4.10
e	0.80 BSC.			0.65 BSC.			0.50 BSC.			0.50 BSC.			0.40 BSC.		
k	0.25	-	-	0.25	-	-	0.25	-	-	0.25	-	-	0.25	-	-
L	0.45	0.55	0.65	0.45	0.55	0.65	0.45	0.55	0.65	0.30	0.40	0.50	0.30	0.40	0.50
N	12			16			20			24			28		
ND	3			4			5			6			7		
NE	3			4			5			6			7		
JEDEC Var.	VGGB			VGGC			WGGD-1			WGGD-2			WGGE		

EXPOSED PAD VARIATIONS							
PKG. CODES	D2			E2			DOWN BONDS ALLOWED
	MIN.	NOM.	MAX.	MIN.	NOM.	MAX.	
T1244-3	1.95	2.10	2.25	1.95	2.10	2.25	YES
T1244-4	1.95	2.10	2.25	1.95	2.10	2.25	NO
T1644-3	1.95	2.10	2.25	1.95	2.10	2.25	YES
T1644-4	1.95	2.10	2.25	1.95	2.10	2.25	NO
T2044-2	1.95	2.10	2.25	1.95	2.10	2.25	YES
T2044-3	1.95	2.10	2.25	1.95	2.10	2.25	NO
T2444-2	1.95	2.10	2.25	1.95	2.10	2.25	YES
T2444-3	2.45	2.60	2.63	2.45	2.60	2.63	YES
T2444-4	2.45	2.60	2.63	2.45	2.60	2.63	NO
T2844-1	2.50	2.60	2.70	2.50	2.60	2.70	NO

NOTES:

- DIMENSIONING & TOLERANCING CONFORM TO ASME Y14.5M-1994.
- ALL DIMENSIONS ARE IN MILLIMETERS. ANGLES ARE IN DEGREES.
- N IS THE TOTAL NUMBER OF TERMINALS.
- THE TERMINAL #1 IDENTIFIER AND TERMINAL NUMBERING CONVENTION SHALL CONFORM TO JEDEC 95-1 SPP-012. DETAILS OF TERMINAL #1 IDENTIFIER ARE OPTIONAL, BUT MUST BE LOCATED WITHIN THE ZONE INDICATED. THE TERMINAL #1 IDENTIFIER MAY BE EITHER A MOLD OR MARKED FEATURE.
- DIMENSION b APPLIES TO METALLIZED TERMINAL AND IS MEASURED BETWEEN 0.25 mm AND 0.30 mm FROM TERMINAL TIP.
- ND AND NE REFER TO THE NUMBER OF TERMINALS ON EACH D AND E SIDE RESPECTIVELY.
- DEPOPULATION IS POSSIBLE IN A SYMMETRICAL FASHION.
- COPLANARITY APPLIES TO THE EXPOSED HEAT SINK SLUG AS WELL AS THE TERMINALS.
- DRAWING CONFORMS TO JEDEC MO220, EXCEPT FOR T2444-3, T2444-4 AND T2844-1.
- MARKING IS FOR PACKAGE ORIENTATION REFERENCE ONLY.
- COPLANARITY SHALL NOT EXCEED 0.08mm
- WARPAGE SHALL NOT EXCEED 0.10mm
- LEAD CENTERLINES TO BE AT TRUE POSITION AS DEFINED BY BASIC DIMENSION "e", ±0.05.
- NUMBER OF LEADS SHOWN ARE FOR REFERENCE ONLY

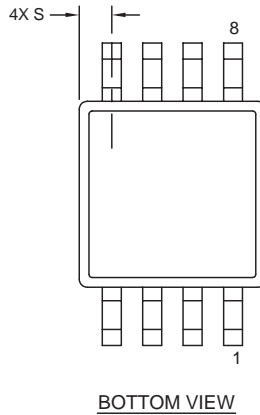
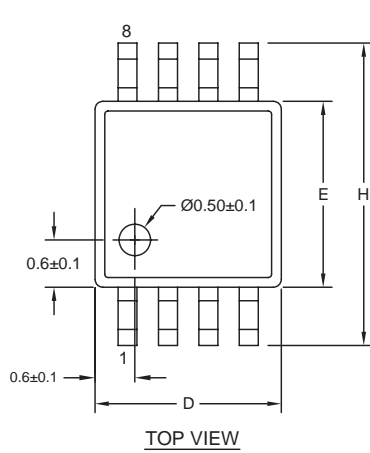
-DRAWING NOT TO SCALE-

	
TITLE PACKAGE OUTLINE, 12, 16, 20, 24, 28L THIN QFN, 4x4x0.8mm	
APPROVAL	DOCUMENT CONTROL NO. 21-0139
REV. E	2/2

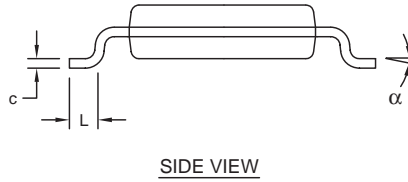
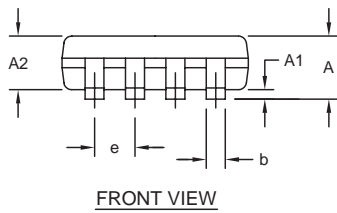
Dual, Ultra-Low-Power, 12-Bit, Voltage-Output DACs

Package Information (continued)

(The package drawing(s) in this data sheet may not reflect the most current specifications. For the latest package outline information, go to www.maxim-ic.com/packages.)



DIM	INCHES		MILLIMETERS	
	MIN	MAX	MIN	MAX
A	-	0.043	-	1.10
A1	0.002	0.006	0.05	0.15
A2	0.030	0.037	0.75	0.95
b	0.010	0.014	0.25	0.36
c	0.005	0.007	0.13	0.18
D	0.116	0.120	2.95	3.05
e	0.0256 BSC		0.65 BSC	
E	0.116	0.120	2.95	3.05
H	0.188	0.198	4.78	5.03
L	0.016	0.026	0.41	0.66
α	0°	6°	0°	6°
S	0.0207 BSC		0.5250 BSC	



NOTES:

1. D&E DO NOT INCLUDE MOLD FLASH.
2. MOLD FLASH OR PROTRUSIONS NOT TO EXCEED 0.15MM (.006").
3. CONTROLLING DIMENSION: MILLIMETERS.
4. MEETS JEDEC MO-187C-AA.

<small>PROPRIETARY INFORMATION</small>	
TITLE: PACKAGE OUTLINE, 8L uMAX/uSOP	
<small>APPROVAL</small>	<small>DOCUMENT CONTROL NO.</small> 21-0036
<small>REV.</small> J	<small>1/1</small>

8LUMAXDEPS

Maxim cannot assume responsibility for use of any circuitry other than circuitry entirely embodied in a Maxim product. No circuit patent licenses are implied. Maxim reserves the right to change the circuitry and specifications without notice at any time.

24 **Maxim Integrated Products, 120 San Gabriel Drive, Sunnyvale, CA 94086 408-737-7600**

© 2007 Maxim Integrated Products

MAXIM is a registered trademark of Maxim Integrated Products, Inc.