

TOSHIBA CMOS Digital Integrated Circuit Silicon Monolithic

TC74HC697AP, TC74HC697AF

Synchronous Presetable 4-Bit Binary Up/Down Counter with Output Register (multiplexed 3-state outputs)

The TC74HC697A is high speed CMOS UP/DOWN COUNTERS fabricated with silicon gate C²MOS technology.

It achieves the high speed operation similar to equivalent LSTTL while maintaining the CMOS low power dissipation.

It counts on the rising edge of the Counter Clock (CCK) input when "counter mode" is selected. If the up/down ($\overline{U/D}$) input is held high, the internal counter counts up. Conversely, if $\overline{U/D}$ is held low, it counts down.

The internal counter outputs are latched into the output registers on the rising edge of the Register Clock (RCK) input.

The outputs (QA~QD) are selected as either internal counter or registered outputs by the output select ($\overline{R/C}$) input. When high, the outputs are counter outputs and when low, they are registered outputs.

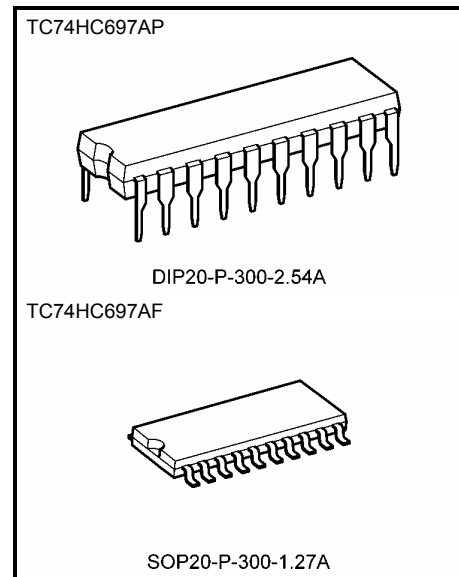
Two enable (\overline{ENP} , \overline{ENT}) inputs and a carry (\overline{RCO}) output are provided to enable cascading of the counters.

This facilitates easy implementation of n-bit counters without using external gates.

All inputs are equipped with protection circuits against static discharge or transient excess voltage.

Features

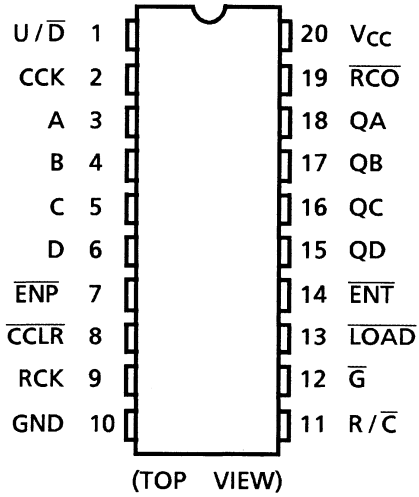
- High speed: $f_{max} = 38 \text{ MHz (typ.)}$ at $V_{CC} = 5 \text{ V}$
- Low power dissipation: $I_{CC} = 4 \mu\text{A (max)}$ at $T_a = 25^\circ\text{C}$
- High noise immunity: $V_{NIH} = V_{NIL} = 28\% V_{CC}$ (min)
- Outputs drive capability: 15 LSTTL loads for QA~QD
10 LSTTL loads for \overline{RCO}
- Symmetrical output impedance:
| I_{OH} | = $I_{OL} = 6 \text{ mA (min)}$ for QA~QD
| I_{OH} | = $I_{OL} = 4 \text{ mA (min)}$ for \overline{RCO}
- Balanced propagation delays: $t_{pLH} \approx t_{pHL}$
- Wide operating voltage range: V_{CC} (opr) = 2~6 V
- Pin and function compatible with 74LS697



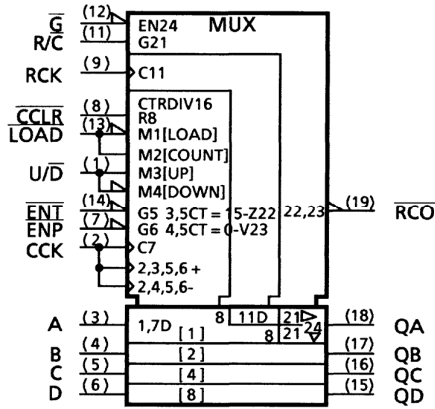
Weight

DIP20-P-300-2.54A : 1.30 g (typ.)
SOP20-P-300-1.27A : 0.22 g (typ.)

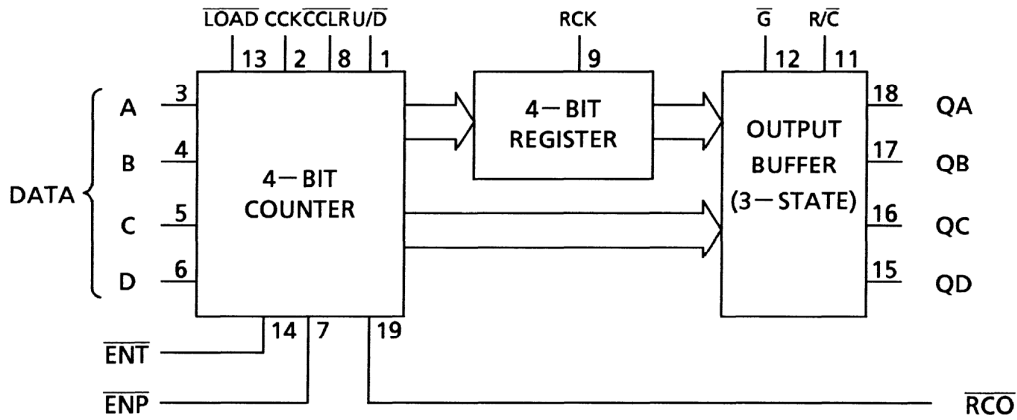
Pin Assignment



IEC Logic symbol



Block Diagram



Truth Table

Inputs									Outputs				Function
$\overline{\text{CCLR}}$	$\overline{\text{LOAD}}$	$\overline{\text{ENP}}$	$\overline{\text{ENT}}$	CCK	U/D	RCK	$\overline{\text{R/C}}$	$\overline{\text{G}}$	QA	QB	QC	QD	
X	X	X	X	X	X	X	X	H	Z	Z	Z	Z	Z
L	X	X	X	X	X	X	L	L	L	L	L	L	Clear Counter
H	L	X	X		X	X	L	L	a	b	c	d	Load Counter
H	H	H	X		X	X	L	L	No Change				No Count
H	H	X	H		X	X	L	L					
H	H	L	L		H	X	L	L	Count Up				Count
H	H	L	L		L	X	L	L	Count Down				Count
H	X	X	X		X	X	L	L	No Change				No Count
X	X	X	X	X	X		H	L	a'	b'	c'	d'	Load Register
X	X	X	X	X	X		H	L	No Change				No Count

X: Don't care

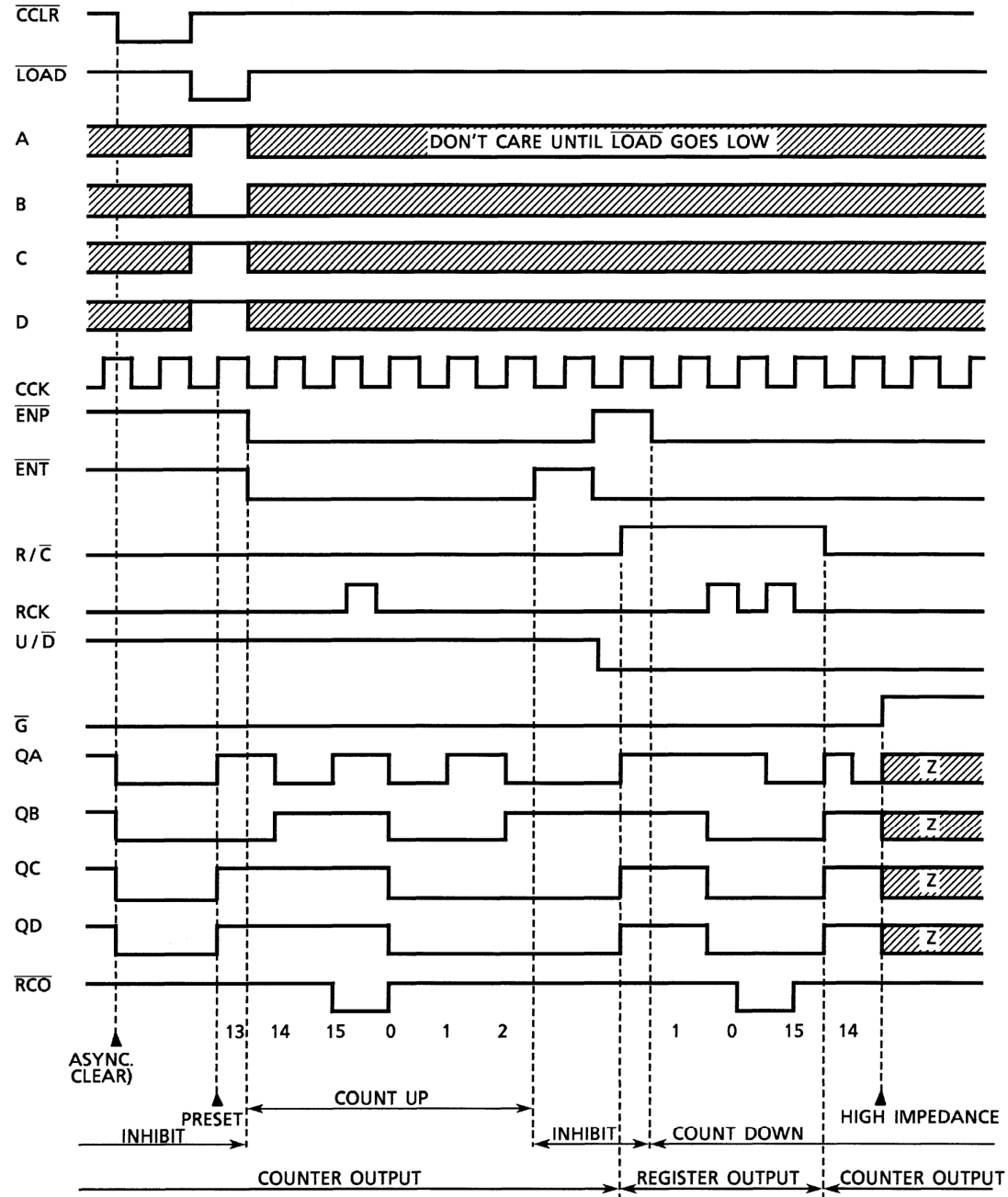
Z: High impedance

a~d: The level of steady state inputs at inputs A through D respectively.

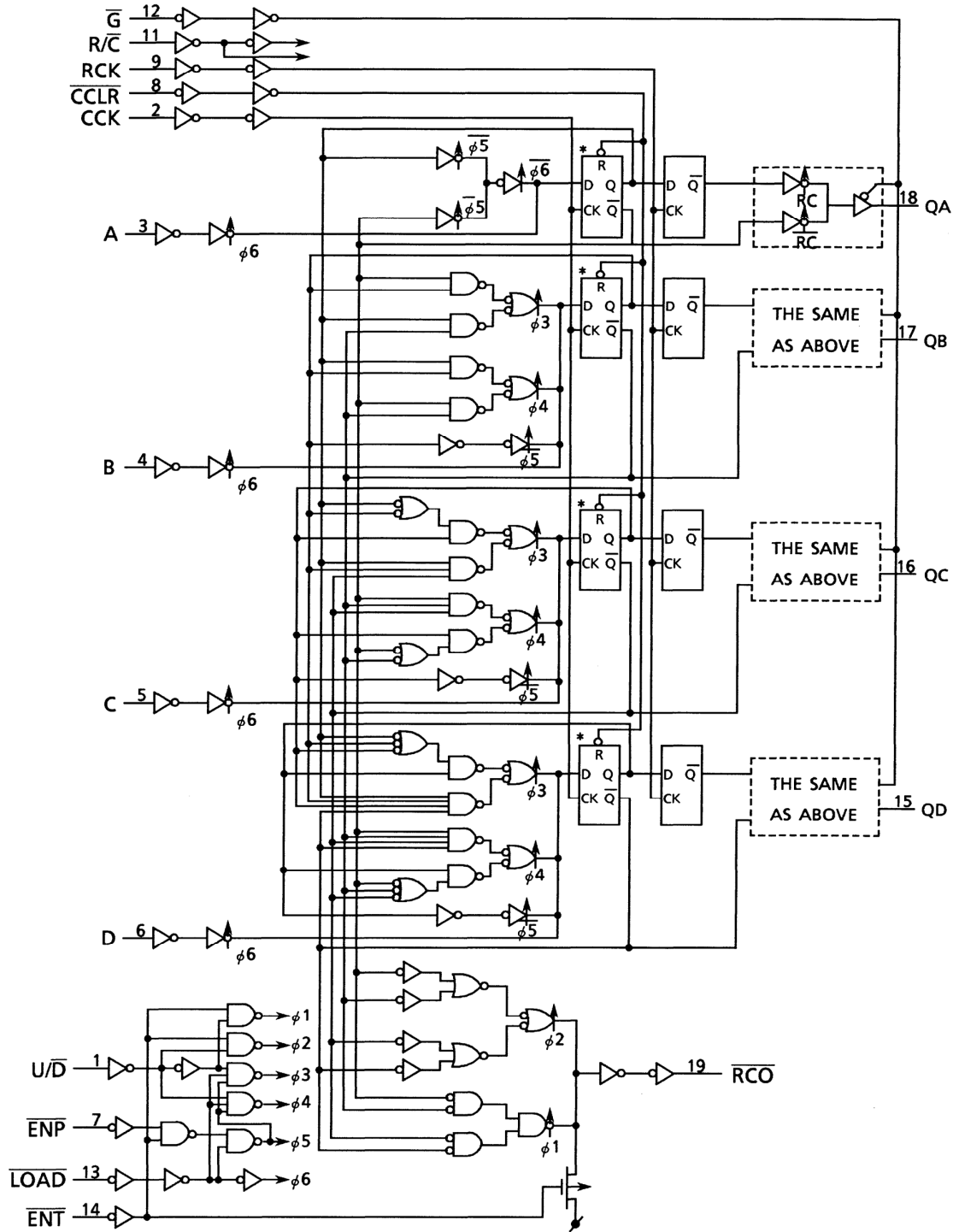
a'~d': The level of steady state outputs at internal counter outputs QA' through QD' respectively.

$$\overline{\text{RCO}} = (\text{UP} \cdot \text{QA} \cdot \text{QB} \cdot \text{QC} \cdot \text{QD} \cdot \overline{\text{ENT}} + \overline{\text{UP}} \cdot \overline{\text{QA}} \cdot \overline{\text{QB}} \cdot \overline{\text{QC}} \cdot \overline{\text{QD}} \cdot \overline{\text{ENT}})$$

Timing Chart



System Diagram



Absolute Maximum Ratings (Note 1)

Characteristics	Symbol	Rating	Unit
Supply voltage range	V_{CC}	-0.5~7	V
DC input voltage	V_{IN}	-0.5~ $V_{CC} + 0.5$	V
DC output voltage	V_{OUT}	-0.5~ $V_{CC} + 0.5$	V
Input diode current	I_{IK}	± 20	mA
Output diode current	I_{OK}	± 20	mA
DC output current (\overline{RCO}) (QA~QD)	I_{OUT}	± 25 ± 35	mA
DC V_{CC} /ground current	I_{CC}	± 75	mA
Power dissipation	P_D	500 (DIP) (Note 2)/180 (SOP)	mW
Storage temperature	T_{stg}	-65~150	°C

Note 1: Exceeding any of the absolute maximum ratings, even briefly, lead to deterioration in IC performance or even destruction.

Using continuously under heavy loads (e.g. the application of high temperature/current/voltage and the significant change in temperature, etc.) may cause this product to decrease in the reliability significantly even if the operating conditions (i.e. operating temperature/current/voltage, etc.) are within the absolute maximum ratings and the operating ranges.

Please design the appropriate reliability upon reviewing the Toshiba Semiconductor Reliability Handbook ("Handling Precautions"/"Derating Concept and Methods") and individual reliability data (i.e. reliability test report and estimated failure rate, etc).

Note 2: 500 mW in the range of $T_a = -40$ to 65°C . From $T_a = 65$ to 85°C a derating factor of $-10 \text{ mW}/^\circ\text{C}$ shall be applied until 300 mW.

Operating Ranges (Note)

Characteristics	Symbol	Rating	Unit
Supply voltage	V_{CC}	2~6	V
Input voltage	V_{IN}	0~ V_{CC}	V
Output voltage	V_{OUT}	0~ V_{CC}	V
Operating temperature	T_{opr}	-40~85	°C
Input rise and fall time	t_r, t_f	0~1000 ($V_{CC} = 2.0 \text{ V}$) 0~500 ($V_{CC} = 4.5 \text{ V}$) 0~400 ($V_{CC} = 6.0 \text{ V}$)	ns

Note: The operating ranges must be maintained to ensure the normal operation of the device. Unused inputs must be tied to either VCC or GND.

Electrical Characteristics

DC Characteristics

Characteristics	Symbol	Test Condition		Ta = 25°C			Ta = -40~85°C		Unit		
				V _{CC} (V)	Min	Typ.	Max	Min		Max	
High-level input voltage	V _{IH}	—		2.0	1.50	—	—	1.50	—	V	
				4.5	3.15	—	—	3.15	—		
				6.0	4.20	—	—	4.20	—		
Low-level input voltage	V _{IL}	—		2.0	—	—	0.50	—	0.50	V	
				4.5	—	—	1.35	—	1.35		
				6.0	—	—	1.80	—	1.80		
High-level output voltage	V _{OH}	V _{IN} = V _{IH} or V _{IL}	I _{OH} = -20 μA	2.0	1.9	2.0	—	1.9	—	V	
				4.5	4.4	4.5	—	4.4	—		
				6.0	5.9	6.0	—	5.9	—		
			RCO	I _{OH} = -4 mA	4.5	4.18	4.31	—	4.13		—
					6.0	5.68	5.80	—	5.63		—
					QA~QD	I _{OH} = -6 mA	4.5	4.18	4.31		—
6.0	5.68	5.80	—	5.63			—				
QA~QD	I _{OH} = -7.8 mA	4.5	4.18	4.31			—	4.13	—		
		6.0	5.68	5.80	—	5.63	—				
		Low-level output voltage	V _{OL}	V _{IN} = V _{IH} or V _{IL}	I _{OL} = 20 μA	2.0	—	0.0	0.1	—	0.1
4.5	—					0.0	0.1	—	0.1		
6.0	—					0.0	0.1	—	0.1		
RCO	I _{OL} = 4 mA				4.5	—	0.17	0.26	—	0.33	
					6.0	—	0.18	0.26	—	0.33	
					QA~QD	I _{OL} = 6 mA	4.5	—	0.17	0.26	—
6.0	—	0.18	0.26	—			0.33				
QA~QD	I _{OL} = 7.8 mA	4.5	—	0.17			0.26	—	0.33		
		6.0	—	0.18	0.26	—	0.33				
		3-state output off-state current	I _{OZ}	V _{IN} = V _{IH} or V _{IL} V _{OUT} = V _{CC} or GND	6.0	—	—	±0.5	—	±5.0	μA
Input leakage current	I _{IN}	V _{IN} = V _{CC} or GND	6.0	—	—	±0.1	—	±1.0	μA		
Quiescent supply current	I _{CC}	V _{IN} = V _{CC} or GND	6.0	—	—	4.0	—	40.0	μA		

Timing Requirements (input: $t_r = t_f = 6$ ns)

Characteristics	Symbol	Test Condition	Ta = 25°C		Ta = -40 ~85°C		Unit
			VCC (V)	Typ.	Limit	Limit	
Minimum pulse width (CCK, \overline{RCK})	t_W (L) t_W (H)	—	2.0	—	75	95	ns
			4.5	—	15	19	
			6.0	—	13	16	
Minimum pulse width (\overline{CCLR})	t_W (L)	—	2.0	—	75	95	ns
			4.5	—	15	19	
			6.0	—	13	16	
Minimum set-up time (\overline{LOAD} , \overline{ENT} , \overline{ENP})	t_s	—	2.0	—	150	190	ns
			4.5	—	30	38	
			6.0	—	13	32	
Minimum set-up time (A, B, C, D)	t_s	—	2.0	—	50	65	ns
			4.5	—	10	13	
			6.0	—	9	11	
Minimum set-up time (U/\overline{D})	t_s	—	2.0	—	100	125	ns
			4.5	—	20	25	
			6.0	—	17	21	
Minimum set-up time (CCK-RCK)	t_s	—	2.0	—	100	125	ns
			4.5	—	20	25	
			6.0	—	17	21	
Minimum hold time (A, B, C, D)	t_h	—	2.0	—	5	5	ns
			4.5	—	5	5	
			6.0	—	5	5	
Minimum hold time	t_h	—	2.0	—	0	0	ns
			4.5	—	0	0	
			6.0	—	0	0	
Minimum removal time	t_{rem}	—	2.0	—	5	5	ns
			4.5	—	5	5	
			6.0	—	5	5	
Clock frequency	f	—	2.0	—	5	4	MHz
			4.5	—	25	20	
			6.0	—	29	24	

AC Characteristics ($C_L = 15$ pF, $V_{CC} = 5$ V, $T_a = 25^\circ\text{C}$, input: $t_r = t_f = 6$ ns)

Characteristics	Symbol	Test Condition	Min	Typ.	Max	Unit
Output transition time (\overline{RCO})	t_{TLH}	—	—	4	8	ns
	t_{THL}					
Propagation delay time (CCK- \overline{RCO})	t_{pLH}	—	—	24	41	ns
	t_{pHL}					
Propagation delay time (ENT- \overline{RCO})	t_{pLH}	—	—	13	23	ns
	t_{pHL}					
Propagation delay time (\overline{CCLR} - \overline{RCO})	t_{pLH}	—	—	23	38	ns
Maximum clock frequency	f_{max}	—	25	38	—	MHz

AC Characteristics (input: $t_r = t_f = 6 \text{ ns}$)

Characteristics	Symbol	Test Condition	Ta = 25°C			Ta = -40~85°C		Unit		
			CL (pF)	VCC (V)	Min	Typ.	Max		Min	Max
Output transition time (Qn)	t_{TLH}	—	50	2.0	—	25	60	—	75	ns
	t_{THL}			4.5	—	7	12	—	15	
Output transition time (\overline{RCO})	t_{pLH}	—	50	2.0	—	30	75	—	95	ns
	t_{pHL}			4.5	—	8	15	—	19	
Propagation delay time (CCK-Q)	t_{pLH}	—	50	2.0	—	90	195	—	245	ns
				4.5	—	26	39	—	49	
	t_{pHL}		2.0	—	103	235	—	295		
			4.5	—	31	47	—	59		
Propagation delay time (RCK-Q)	t_{pLH}	—	50	2.0	—	82	180	—	225	ns
				4.5	—	24	36	—	45	
	t_{pHL}		2.0	—	95	220	—	275		
			4.5	—	29	44	—	55		
Propagation delay time (R/\overline{C} -Q)	t_{pLH}	—	50	2.0	—	60	145	—	180	ns
				4.5	—	19	29	—	36	
	t_{pHL}		2.0	—	73	185	—	230		
			4.5	—	24	37	—	46		
Propagation delay time (\overline{CCLR} -Q)	t_{pLH}	—	50	2.0	—	89	195	—	245	ns
				4.5	—	26	39	—	49	
	t_{pHL}		2.0	—	102	235	—	295		
			4.5	—	31	47	—	59		
Propagation delay time (CCK- \overline{RCO})	t_{pLH}	—	50	2.0	—	108	235	—	295	ns
				4.5	—	31	47	—	59	
	t_{pHL}		2.0	—	23	40	—	50		
			4.5	—	23	40	—	50		
Propagation delay time (\overline{ENT} - \overline{RCO})	t_{pLH}	—	50	2.0	—	63	135	—	170	ns
				4.5	—	18	27	—	34	
				6.0	—	14	23	—	29	
Propagation delay time (\overline{CCLR} - \overline{RCO})	t_{pLH}	—	50	2.0	—	98	220	—	275	ns
				4.5	—	29	44	—	55	
				6.0	—	23	37	—	47	

Characteristics	Symbol	Test Condition	Test Condition		Ta = 25°C			Ta = -40~85°C		Unit
			CL (pF)	VCC (V)	Min	Typ.	Max	Min	Max	
Output enable time (\bar{G} -Q)	t_{pZL} t_{pZH}	$R_L = 1\text{ k}\Omega$	50	2.0	—	45	115	—	145	ns
				4.5	—	15	23	—	29	
				6.0	—	12	20	—	25	
			150	2.0	—	58	155	—	195	
				4.5	—	20	31	—	39	
				6.0	—	16	26	—	33	
Output disable time (\bar{G} -Q)	t_{pLZ} t_{pHZ}	$R_L = 1\text{ k}\Omega$	50	2.0	—	32	115	—	145	ns
				4.5	—	17	23	—	29	
				6.0	—	14	20	—	25	
Maximum clock frequency	f_{max}	—	50	2.0	5	11	—	4	—	MHz
				4.5	25	38	—	20	—	
				6.0	29	52	—	24	—	
Input capacitance	C_{IN}	—	—	—	5	10	—	10	pF	
Output capacitance	C_{OUT}	—	—	—	13	—	—	—	pF	
Power dissipation capacitance	C_{PD} (Note)	—	—	—	72	—	—	—	pF	

Note: C_{PD} is defined as the value of the internal equivalent capacitance which is calculated from the operating current consumption without load.

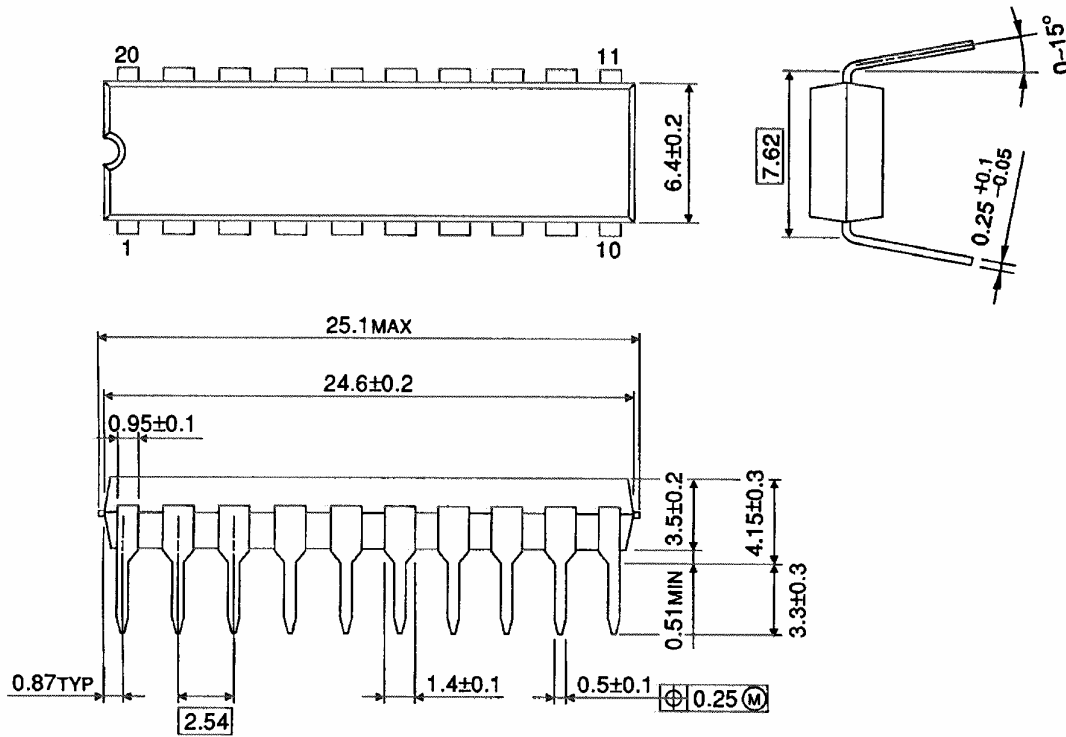
Average operating current can be obtained by the equation:

$$I_{CC} (opr) = C_{PD} \cdot V_{CC} \cdot f_{IN} + I_{CC}$$

Package Dimensions

DIP20-P-300-2.54A

Unit : mm

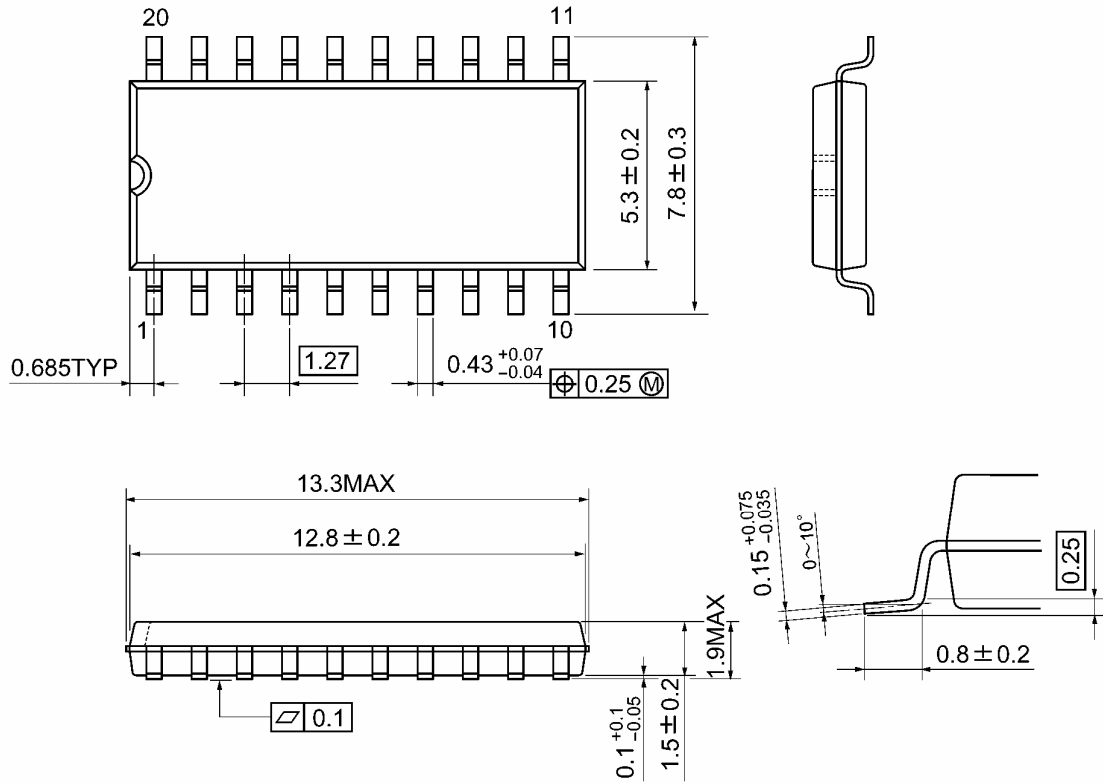


Weight: 1.30 g (typ.)

Package Dimensions

SOP20-P-300-1.27A

Unit: mm



Weight: 0.22 g (typ.)

RESTRICTIONS ON PRODUCT USE

20070701-EN GENERAL

- The information contained herein is subject to change without notice.
- TOSHIBA is continually working to improve the quality and reliability of its products. Nevertheless, semiconductor devices in general can malfunction or fail due to their inherent electrical sensitivity and vulnerability to physical stress. It is the responsibility of the buyer, when utilizing TOSHIBA products, to comply with the standards of safety in making a safe design for the entire system, and to avoid situations in which a malfunction or failure of such TOSHIBA products could cause loss of human life, bodily injury or damage to property.
In developing your designs, please ensure that TOSHIBA products are used within specified operating ranges as set forth in the most recent TOSHIBA products specifications. Also, please keep in mind the precautions and conditions set forth in the "Handling Guide for Semiconductor Devices," or "TOSHIBA Semiconductor Reliability Handbook" etc.
- The TOSHIBA products listed in this document are intended for usage in general electronics applications (computer, personal equipment, office equipment, measuring equipment, industrial robotics, domestic appliances, etc.). These TOSHIBA products are neither intended nor warranted for usage in equipment that requires extraordinarily high quality and/or reliability or a malfunction or failure of which may cause loss of human life or bodily injury ("Unintended Usage"). Unintended Usage include atomic energy control instruments, airplane or spaceship instruments, transportation instruments, traffic signal instruments, combustion control instruments, medical instruments, all types of safety devices, etc.. Unintended Usage of TOSHIBA products listed in this document shall be made at the customer's own risk.
- The products described in this document shall not be used or embedded to any downstream products of which manufacture, use and/or sale are prohibited under any applicable laws and regulations.
- The information contained herein is presented only as a guide for the applications of our products. No responsibility is assumed by TOSHIBA for any infringements of patents or other rights of the third parties which may result from its use. No license is granted by implication or otherwise under any patents or other rights of TOSHIBA or the third parties.
- Please contact your sales representative for product-by-product details in this document regarding RoHS compatibility. Please use these products in this document in compliance with all applicable laws and regulations that regulate the inclusion or use of controlled substances. Toshiba assumes no liability for damage or losses occurring as a result of noncompliance with applicable laws and regulations.