

**Precision Wide
Bandwidth Quad Analog Switches**

Features

- Single-Supply Operation (+2V to +6V)
- Rail-to-Rail Analog Signal Range
- Low On-Resistance (6ohm typ @ 5V)
Minimizes Distortion and Error Voltages
- R_{ON} Matching Between Channels, 0.4 ohm typ
- On-Resistance Flatness, 2ohm typ
- Low Charge Injection. $Q=4pC$ typ.
Reduces Step errors, "clicking, popping" noise
- High Speed. t_{ON} , 10ns typ
- Very Low Crosstalk: -72dB @ 30MHz
- Wide -3dB Bandwidth: >200MHz
- High-Current Channel Capability: >100mA
- TTL/CMOS Logic Compatible
- Low Power Consumption (0.5 μ W typ)
- Pin-compatible with DG3XX, DG4XX, MAX39X

Applications

- Audio, Video Switching and Routing
- Battery-Powered Communication Systems
- Computer Peripherals
- Telecommunications
- Portable Instrumentation
- Mechanical Relay Replacement

Description

The PI5A391A/392A are monolithic analog switches designed for low-voltage, single-supply operation. These high-precision devices are ideal for low-distortion audio, video, signal switching and routing applications.

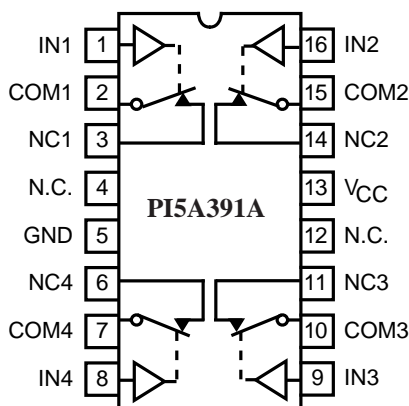
The PI5A391A is a quad single-pole single-throw (SPST), normally closed (NC) switch. The PI5A392A has four normally open (NO) switches.

Each switch conducts current equally well in either direction when on. When off they block voltages up to the power-supply rails.

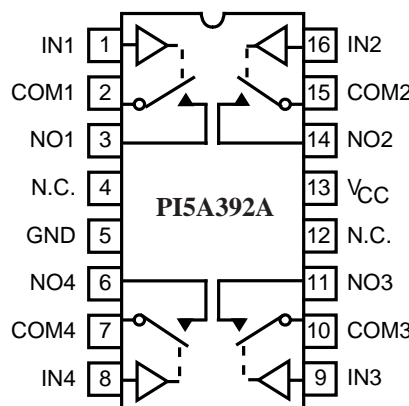
The PI5A391A/392A are fully specified with +5V, and +3.3V supplies. With +5V, they guarantee <12-ohm on-resistance. On-resistance matching between channels is within 2-ohm. On-resistance flatness is less than 4ohm over the full signal range. The PI5A39X family guarantees fast switching speeds ($t_{ON} < 20ns$).

These products are available in the 16-pin narrow-body SOIC, and QSOP packages for operation over the industrial (-40°C to +85 °C) temperature range.

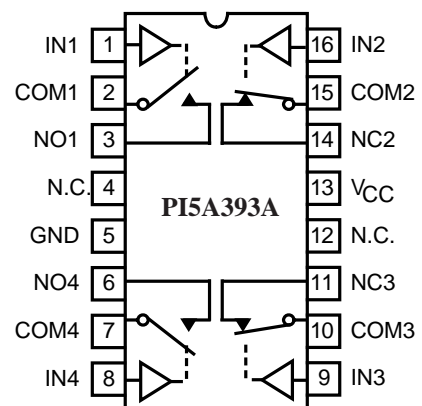
Functional Diagram, Pin Configuration and Truth Tables



| PI5A391 | |
|---------|--------|
| Logic | Switch |
| 0 | ON |
| 1 | OFF |



| PI5A392A | |
|----------|--------|
| Logic | Switch |
| 0 | OFF |
| 1 | ON |



| PI5A393A | | |
|----------|--------------|--------------|
| Logic | Switches 1,4 | Switches 2,3 |
| 0 | OFF | ON |
| 1 | ON | OFF |

Switches are shown with logic "0" input.

Maximum Ratings

(Above which the useful life may be impaired. For user guidelines, not tested.)

| | |
|--|--------------------------------|
| Storage Temperature | -65°C to +150°C |
| Ambient Temperature with Power Applied | -40°C to +85°C |
| Supply Voltage to Ground Potential | -0.5V to +7.0V |
| DC Input Voltage | -0.5V to V _{CC} +0.5V |
| DC Output Current | 120mA |
| Power Dissipation | 0.5W |

Note:

Stresses greater than those listed under MAXIMUM RATINGS may cause permanent damage to the device. This is a stress rating only and functional operation of the device at these or any other conditions above those indicated in the operational sections of this specification is not implied. Exposure to absolute maximum rating conditions for extended periods may affect reliability.

Single 5.0V Supply

DC Electrical Characteristics (Over the Operating Range, T_A = -40°C to +85°C, V_{CC} = 5V ±10%, GND = 0V)

| Parameters | Description | Test Conditions ⁽¹⁾ | Min. | Typ ⁽²⁾ | Max. | Units |
|---|--------------------------|--|------|--------------------|-----------------|-------|
| V _{ANALOG} | Analog Signal Range | | 0 | — | V _{CC} | V |
| R _{ON} | ON-Resistance | I _{NC} or I _{NO} = 10 mA to 30 mA | — | 6 | 18 | ohm |
| ΔR _{ON} | Match Between Channels | | — | 0.4 | 2 | ohm |
| R _{FLAT(ON)} | R _{ON} Flatness | I _{ON} = 1 mA, V _{NO} , V _{NC} = 0V TO 5V | — | 1 | 2 | ohm |
| I _{NO(OFF)} I _{NC(ON)} | On/Off Leakage Current | V _{NO} , V _{NC} = 4.5V | -30 | — | 30 | nA |
| I _{CC} | Quiescent Supply Current | V _{CC} = 5.5V, V _{IN} = 0V OR V _{CC} | — | — | 100 | nA |
| I _O | Output Current | V _{NO} , V _{NC} OR V _{COM} = 0V to 5V | 100 | — | — | mA |
| V _{IH} | Input HIGH Voltage | Guaranteed Logic HIGH Level | 2.0 | — | — | V |
| V _{IL} | Input LOW Voltage | Guaranteed Logic LOW Level | -0.5 | — | 0.8 | V |
| I _{IH} | Input HIGH Current | V _{CC} = Max., V _{IN} = V _{CC} | — | — | ±1 | μA |
| I _{IL} | Input LOW Current | V _{CC} = Max., V _{IN} = GND | — | — | ±1 | μA |

Notes:

1. For Max. or Min. conditions, use appropriate value specified under Electrical Characteristics for applicable device type.
2. Guaranteed by design.

Dynamic Electrical Characteristics (Over the Operating Range, $T_A = -40^{\circ}\text{C}$ to $+85^{\circ}\text{C}$, $V_{CC} = 5\text{V} \pm 10\%$, $GND = 0\text{V}$)

| Parameters | Description | Test Conditions ⁽¹⁾ | Min. | Typ ⁽²⁾ | Max. | Units |
|--------------------|--------------------------------|---|------|--------------------|------|-------|
| t _{ON} | Turn-on Time | $V_{COM} = 3.0\text{V}$, see Figure 1 | — | 10 | 20 | ns |
| t _{OFF} | Turn-off Time | $V_{COM} = 3.0\text{V}$, see Figure 1 | — | 5 | 10 | ns |
| X _{TALK} | Crosstalk | $R_L = 100\text{ ohm}$, $f = 30\text{ MHz}$, see Figure 4 | — | -72 | — | dB |
| C _(OFF) | NC or NO Capacitance | $f = 1\text{ kHz}$ | — | 13 | — | pF |
| O _{IRR} | Off Isolation | $R_L = 100\text{ ohm}$, $f = 30\text{ MHz}$, see Figure 5 | — | -55 | — | dB |
| BW | Bandwidth -3 dB | $R_L = 100\text{ ohm}$, see Figure 3 | — | 200 | — | MHz |
| D | Distortion $\Delta R_{ON}/R_L$ | $R_L = 100\text{ ohm}$ | — | 2 | — | % |
| Q | Charge Injection | $C_L = 1\text{ nF}$, $V_{Gen} = 0\text{V}$ | — | 3 | 5 | pC |

Single 3.3V Supply
DC Electrical Characteristics⁽¹⁾ (Over the Operating Range, $T_A = -40^{\circ}\text{C}$ to $+85^{\circ}\text{C}$, $V_{CC} = 3.3\text{V} \pm 10\%$, $GND = 0\text{V}$)

| Parameters | Description | Test Conditions ⁽¹⁾ | Min. | Typ ⁽²⁾ | Max. | Units |
|---|--------------------------|---|------|--------------------|----------|---------------|
| V _{ANALOG} | Analog Signal Range | | 0 | — | V_{CC} | V |
| R _{ON} | ON-Resistance | $I_{ON} = 10\text{ mA to }30\text{ mA}$ | — | 15 | 28 | Ω |
| ΔR_{ON} | Match Between Channels | | — | 0.4 | 2 | Ω |
| R _{FLAT(ON)} | R _{ON} Flatness | $I_{ON} = 1\text{ mA}$, V_{NO} , $V_{NC} = 0\text{V to }5\text{V}$ | — | 1 | 2 | Ω |
| I _{NO(OFF)} I _{NC(ON)} | On/Off Leakage Current | V_{NO} , $V_{NC} = 4.5\text{V}$ | -30 | — | 30 | nA |
| I _{CC} | Quiescent Supply Current | $V_{CC} = 5.5\text{V}$, $V_{IN} = 0\text{V or }V_{CC}$ | — | — | 100 | nA |
| I _O | Output Current | V_{NO} , V_{NC} or $V_{COM} = 0\text{V to }5\text{V}$ | 80 | — | — | mA |
| V _{IH} | Input HIGH Voltage | Guaranteed Logic HIGH Level | 2.0 | — | — | V |
| V _{IL} | Input LOW Voltage | Guaranteed Logic LOW Level | -0.5 | — | 0.8 | V |
| I _{IH} | Input HIGH Current | $V_{CC} = \text{Max.}$, $V_{IN} = V_{CC}$ | — | — | ± 1 | μA |
| I _{IL} | Input LOW Current | $V_{CC} = \text{Max.}$, $V_{IN} = GND$ | — | — | ± 1 | μA |

Dynamic Electrical Characteristics (Over the Operating Range, $T_A = -40^{\circ}\text{C}$ to $+85^{\circ}\text{C}$, $V_{CC} = 3.3\text{V} \pm 10\%$, $GND = 0\text{V}$)

| Parameters | Description | Test Conditions ⁽¹⁾ | Min. | Typ ⁽²⁾ | Max. | Units |
|--------------------|--------------------------------|---|------|--------------------|------|-------|
| t _{ON} | Turn-on Time | $V_{COM} = 3.0\text{V}$, see Figure 1 | — | 20 | 40 | ns |
| t _{OFF} | Turn-off Time | $V_{COM} = 3.0\text{V}$, see Figure 1 | — | 10 | 20 | ns |
| X _{TALK} | Crosstalk | $R_L = 100\text{ ohm}$, $f = 30\text{ MHz}$, see Figure 4 | — | -72 | — | dB |
| C _(OFF) | NC or NO Capacitance | $f = 1\text{ kHz}$ | — | 15 | — | pF |
| O _{IRR} | Off Isolation | $R_L = 100\text{ ohm}$, $f = 30\text{ MHz}$, see Figure 5 | — | -55 | — | dB |
| BW | Bandwidth -3 dB | $R_L = 100\text{ ohm}$, see Figure 3 | — | 190 | — | MHz |
| D | Distortion $\Delta R_{ON}/R_L$ | $R_L = 100\text{ ohm}$ | — | 2 | — | % |
| Q | Charge Injection | $C_L = 1\text{ nF}$, $V_{Gen} = 0\text{V}$ | — | 3 | 10 | pC |

Notes:

1. For conditions shown as Max or Min, use appropriate value specified under Electrical Characteristics for applicable device type.
2. Guaranteed by design.
3. $\Delta R_{ON} = \Delta R_{ON\text{ max}} - R_{ON\text{ min}}$.
4. Flatness is defined as the difference between the maximum and minimum value of on-resistance as measured over the specified analog signal range.

Applications

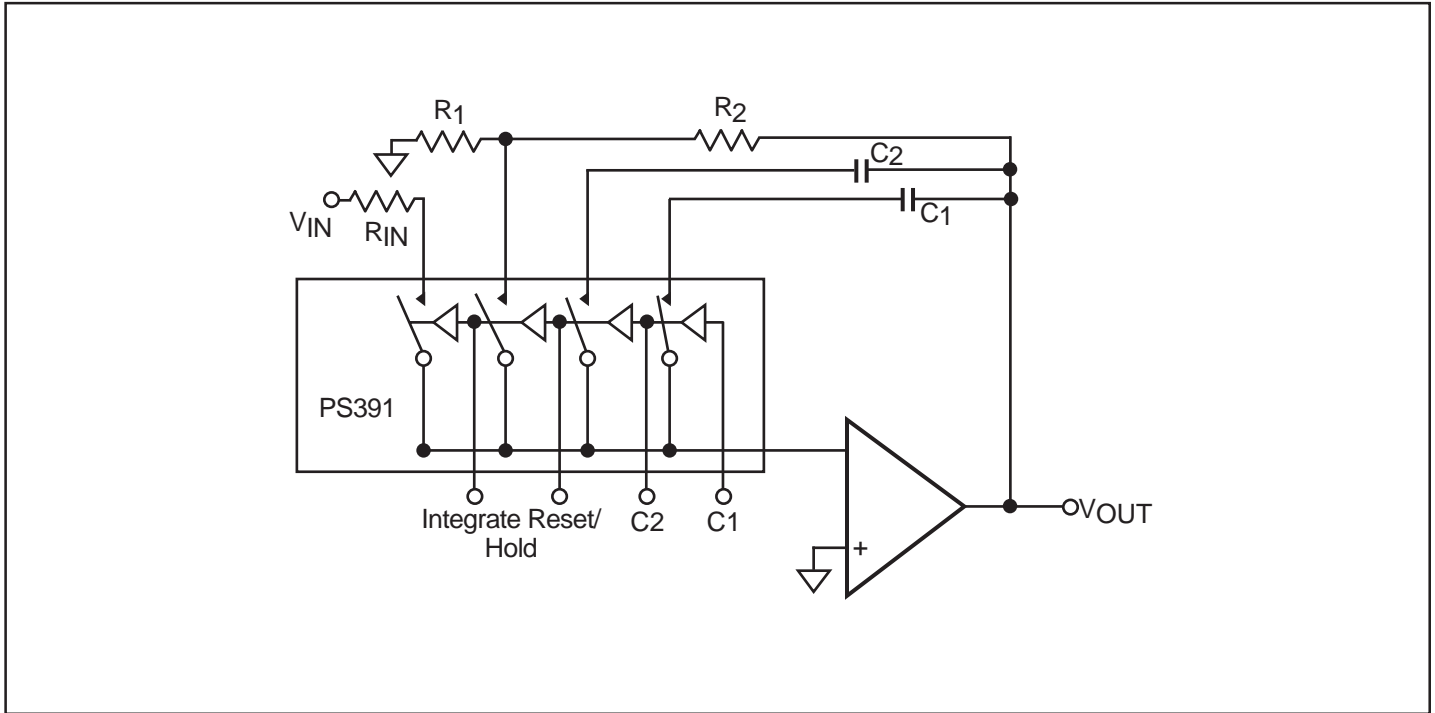


Figure 1. Programmable Integrator and Sample/Hold

The 5A39X can be used to insert various capacitors (C_1 , C_2) and set proper RC times for integration. Resistors R_1 and R_2 set initial gain. The R_{IN} resistor X C_1 or C_2 sets the RC time. The reset switch discharges the hold capacitor through R_{IN} .

Test Circuits

Figure 2. Switching Time

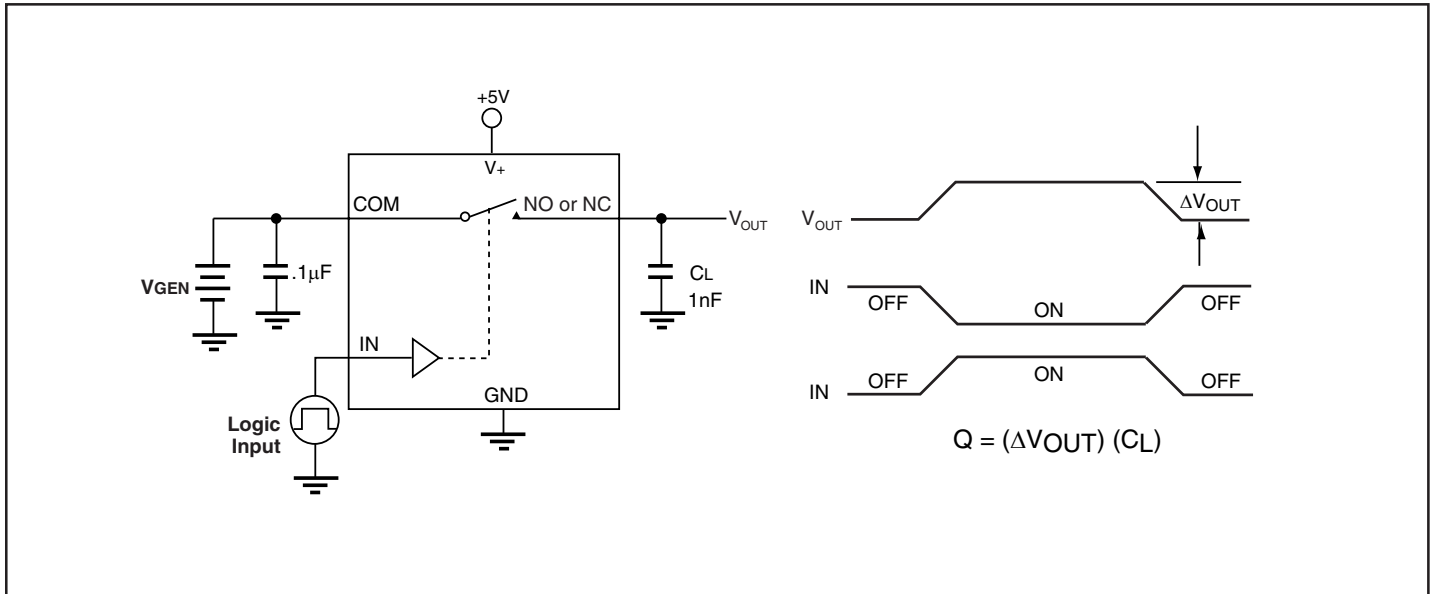
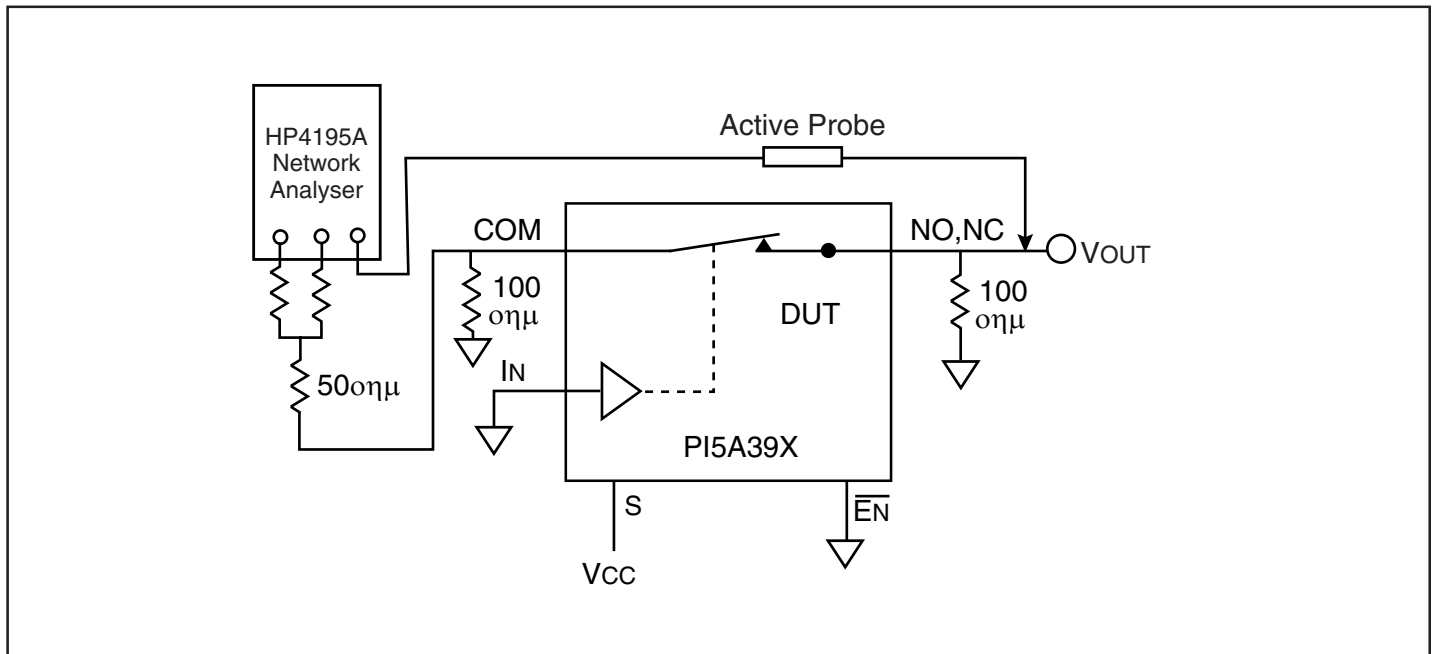


Figure 3. Bandwidth



Typical Operating Characteristics

Figure 4. Crosstalk

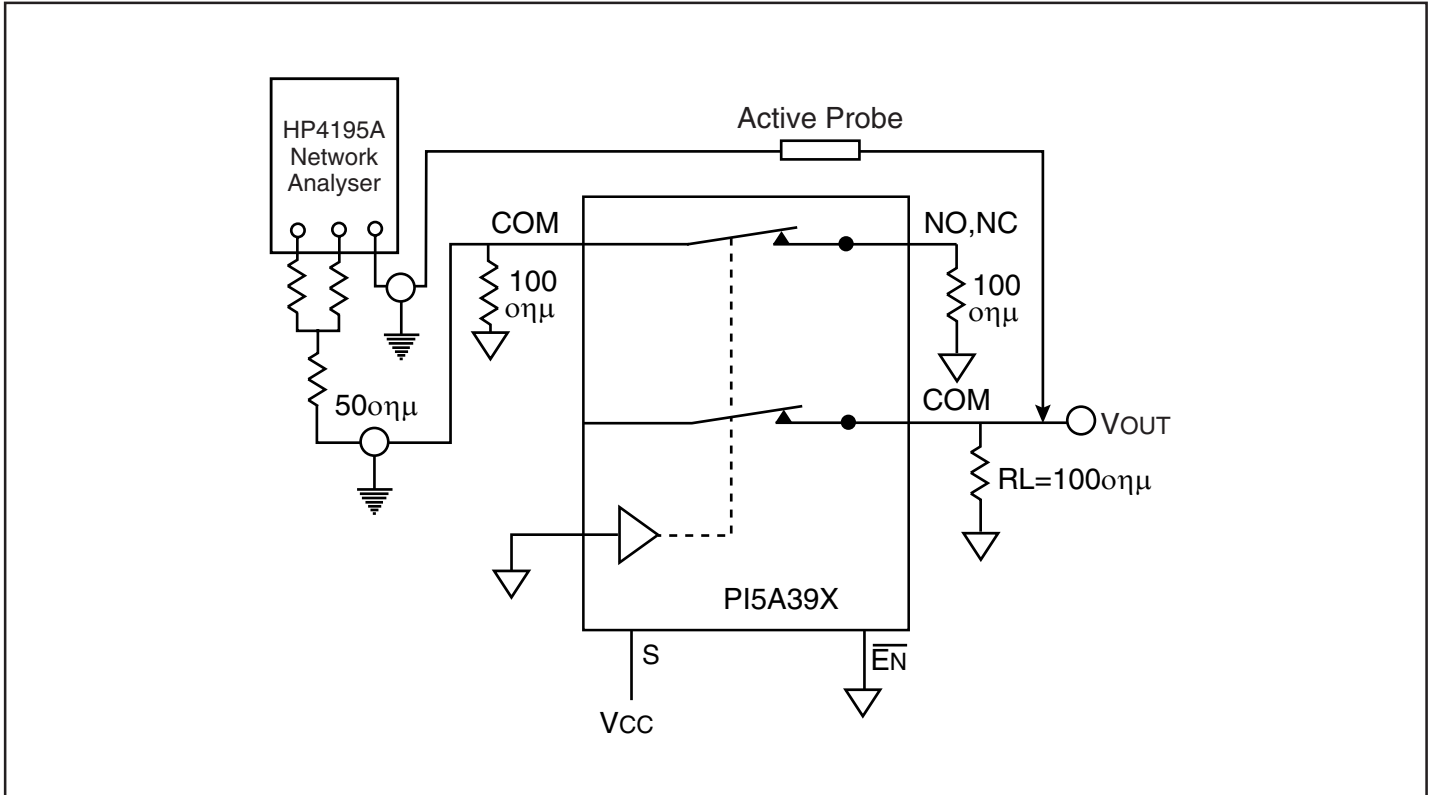


Figure 5. Off Isolation

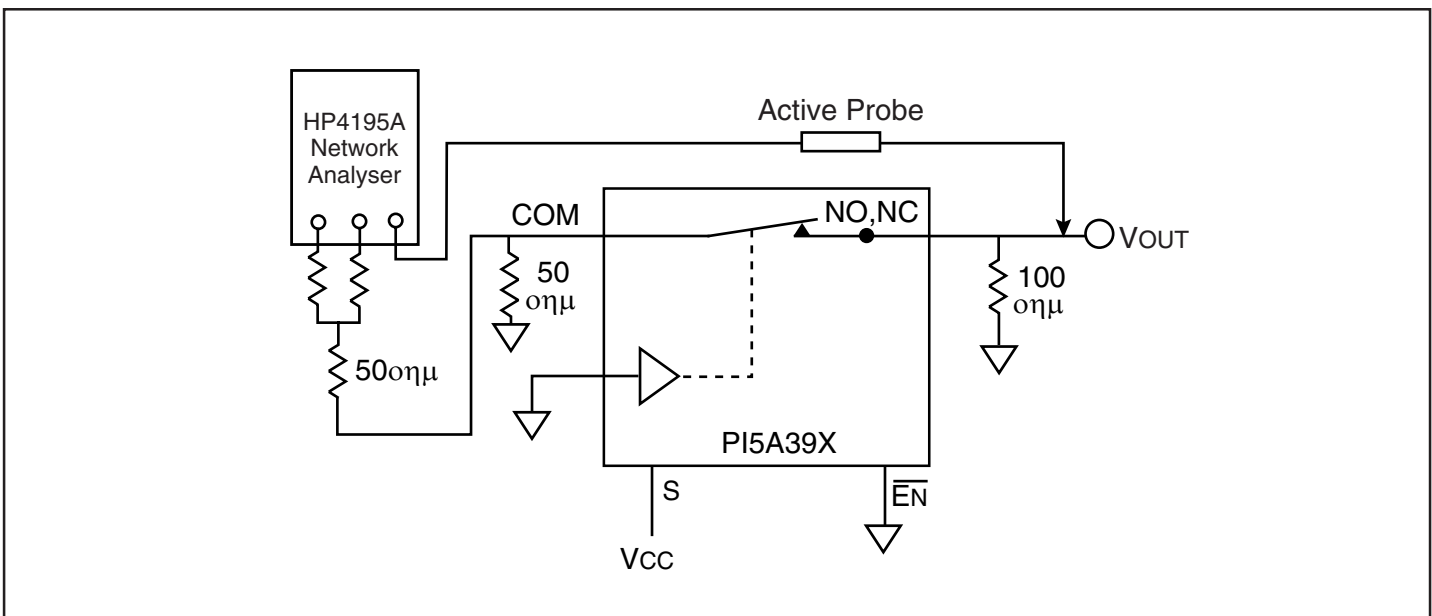


Figure 6. Charge Injection vs Voltage In

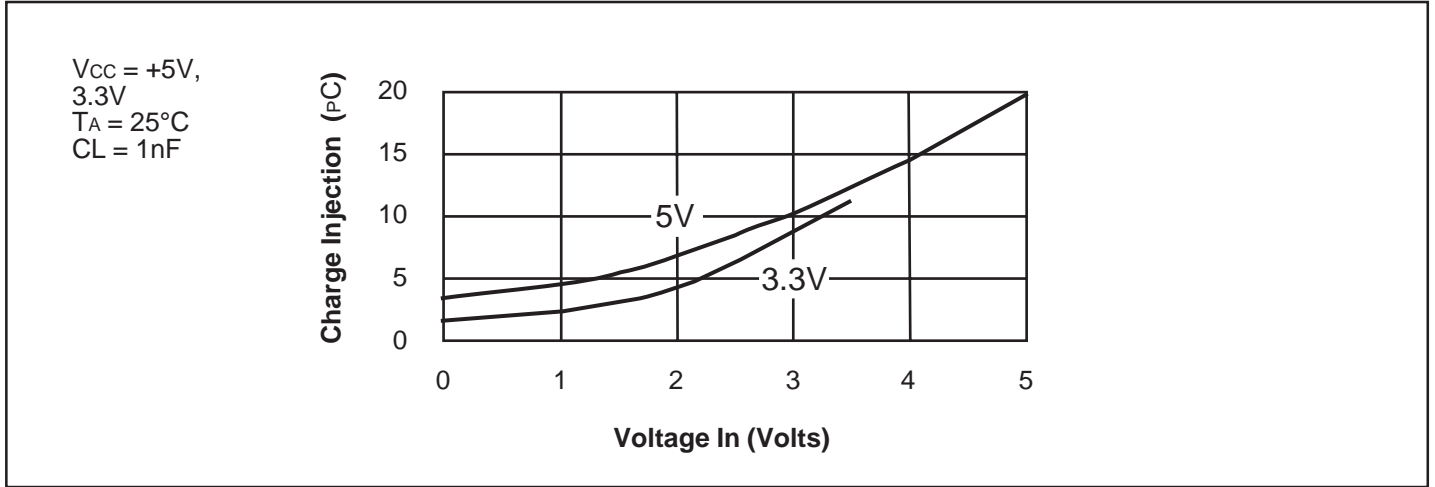


Figure 7. On-Resistance vs Input Voltage

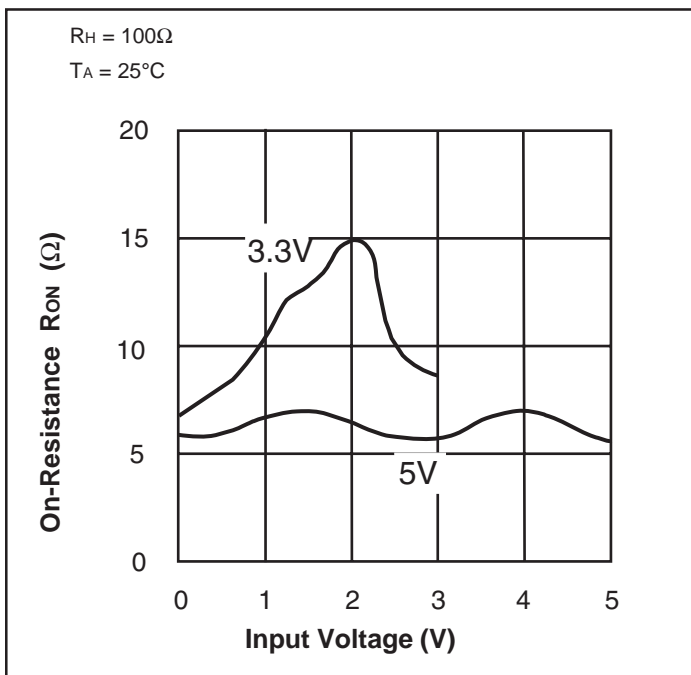


Figure 8. Insertion Loss vs Frequency

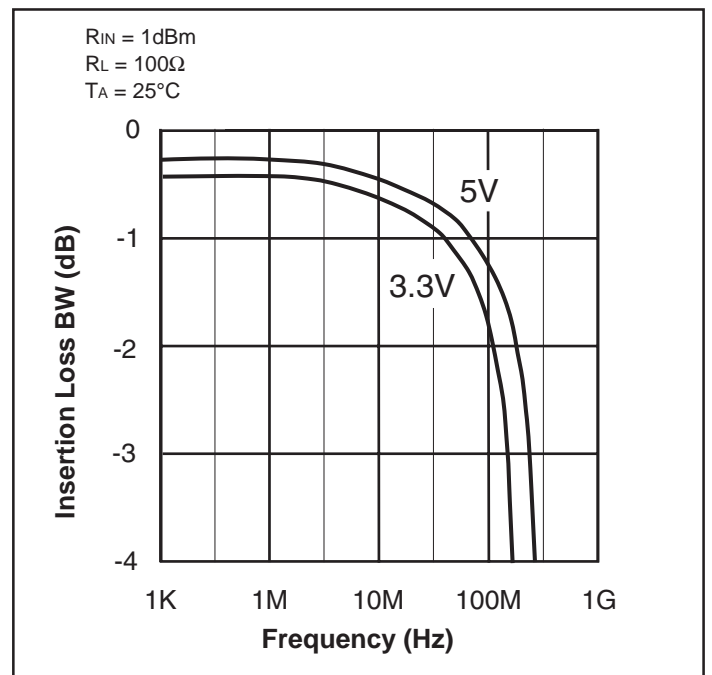


Figure 9. Off Isolation vs Frequency

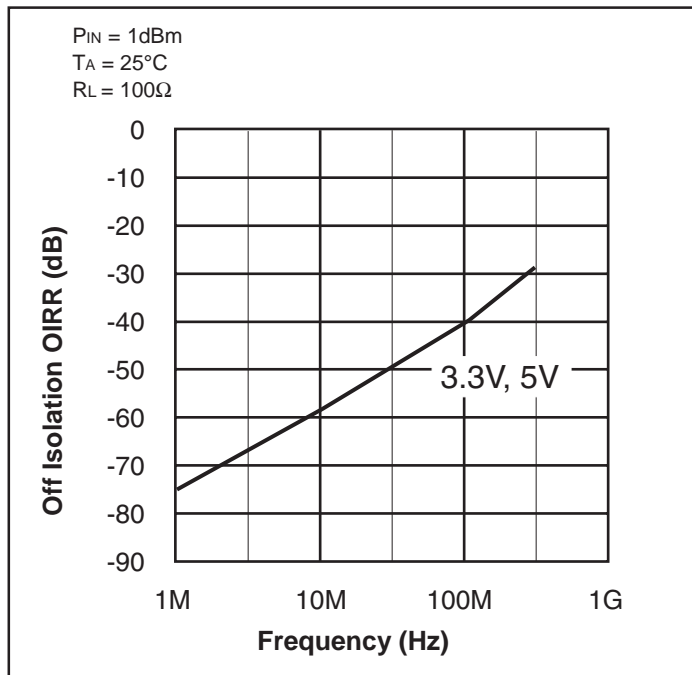
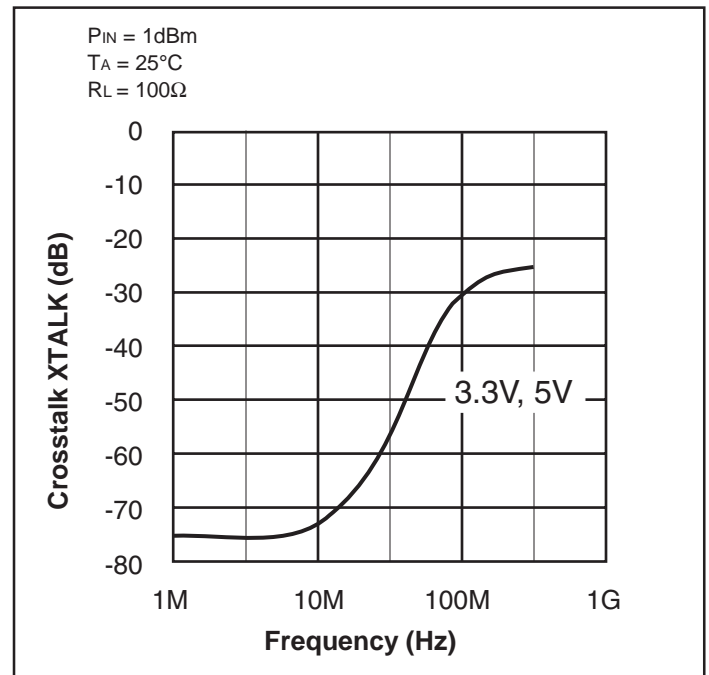
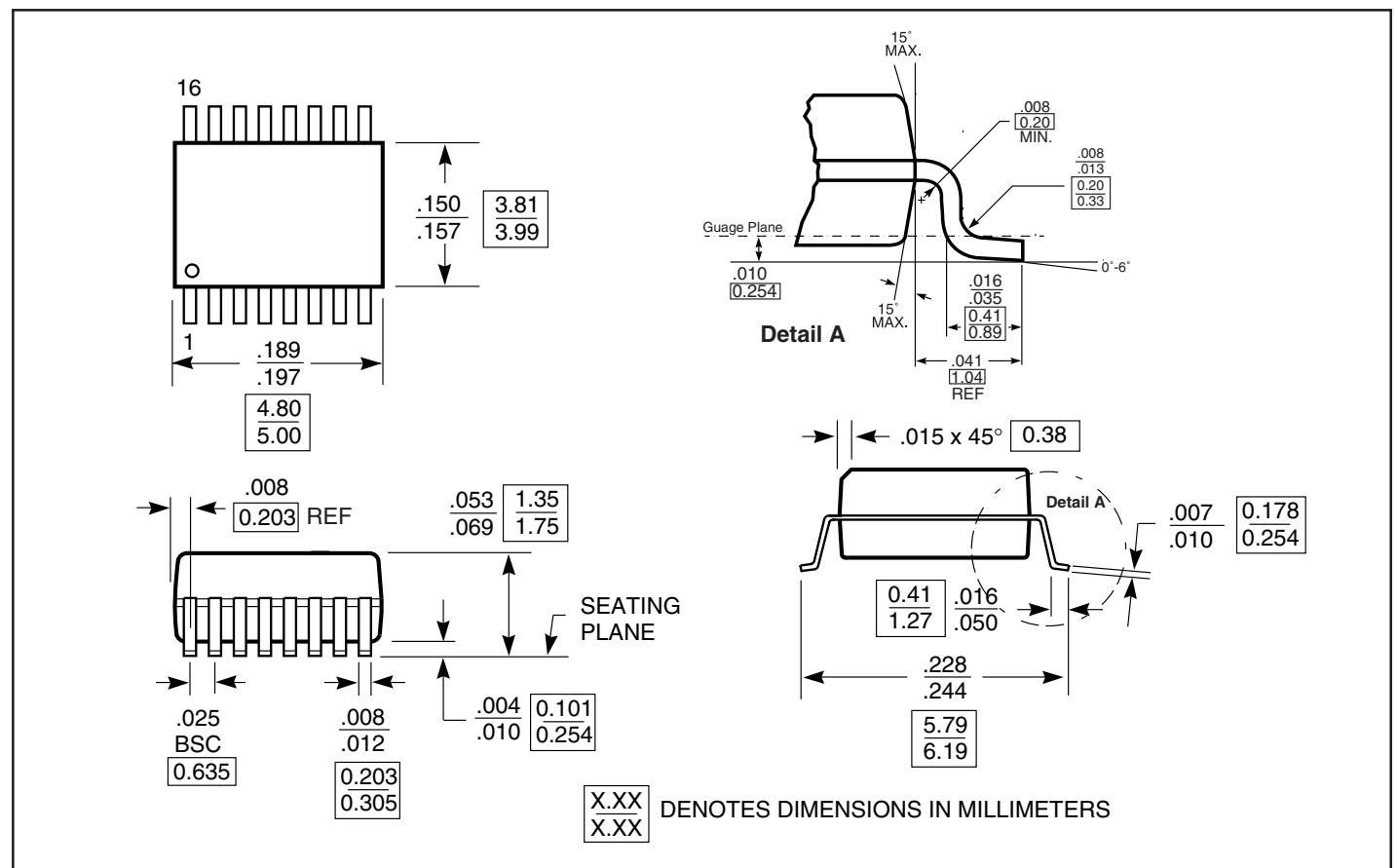


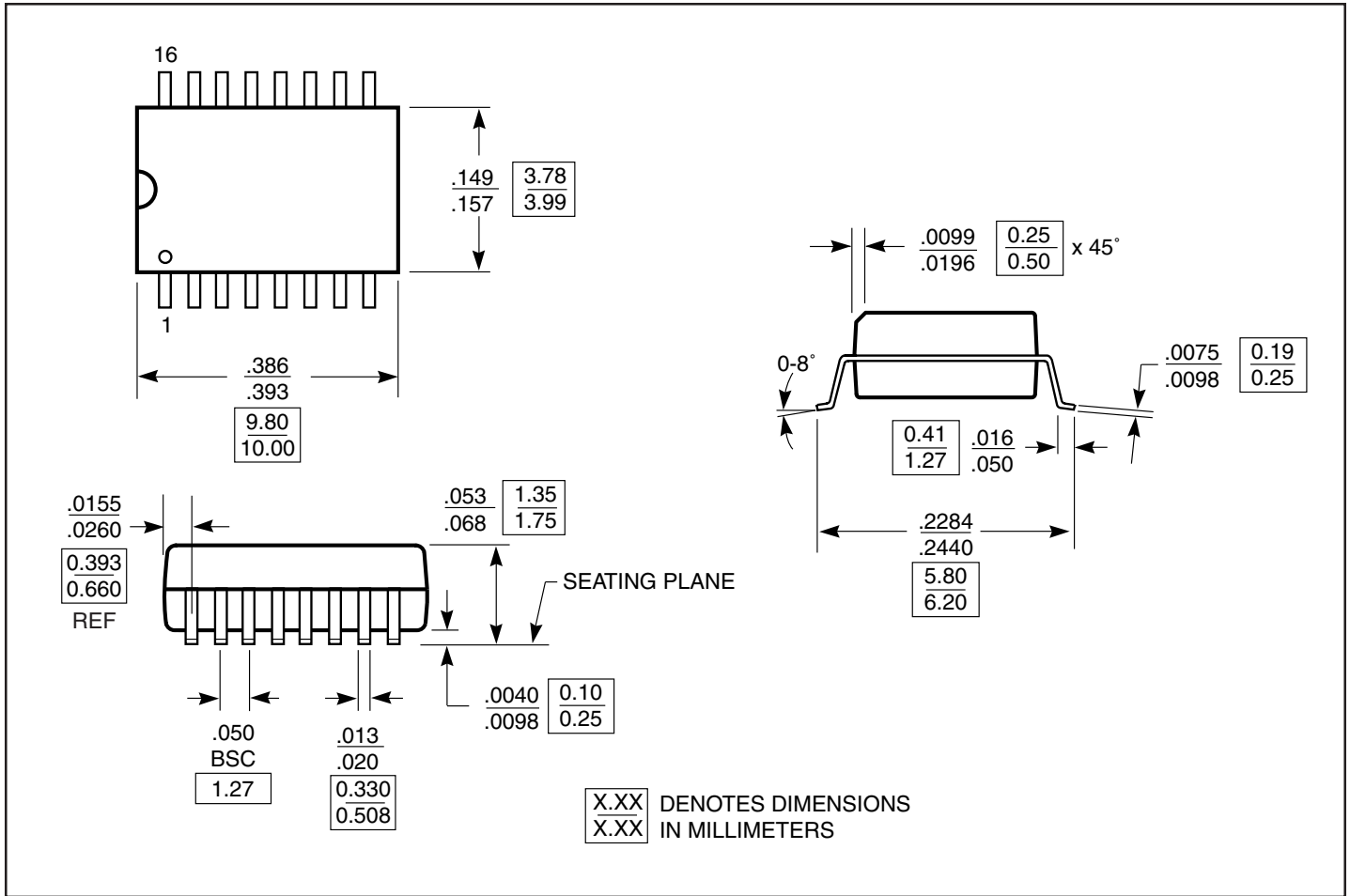
Figure 10. Crosstalk vs Frequency



Packaging Mechanical: 16-Pin, QSOP



Packaging Mechanical: 16-Pin, SOIC



Ordering Information

| Part Number | Package | Package Code | Temperature |
|-------------|------------------------------|--------------|----------------|
| PI5A391AQ | Pb-free & Green 16-Pin, QSOP | Q16 | -40°C to +85°C |
| PI5A391AW | Pb-free & Green 16-Pin, SOIC | W16 | |
| PI5A392AQ | Pb-free & Green 16-Pin, QSOP | Q16 | |
| PI5A392AW | Pb-free & Green 16-Pin, SOIC | W16 | |

Note: Adding X suffix = Tape/Reel