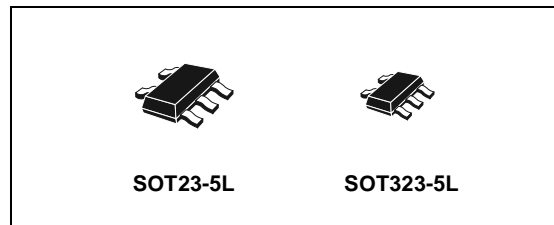




# 74V1G79

## SINGLE POSITIVE EDGE TRIGGERED D-TYPE FLIP-FLOP

- HIGH SPEED:  
 $f_{MAX} = 180\text{MHz}$  (TYP.) at  $V_{CC} = 5\text{V}$
- LOW POWER DISSIPATION:  
 $I_{CC} = 1\mu\text{A}$  (MAX.) at  $T_A = 25^\circ\text{C}$
- HIGH NOISE IMMUNITY:  
 $V_{NIH} = V_{NIL} = 28\% V_{CC}$  (MIN.)
- POWER DOWN PROTECTION ON INPUTS
- SYMMETRICAL OUTPUT IMPEDANCE:  
 $|I_{OH}| = I_{OL} = 8\text{mA}$  (MIN) at  $V_{CC} = 4.5\text{V}$
- BALANCED PROPAGATION DELAYS:  
 $t_{PLH} \approx t_{PHL}$
- OPERATING VOLTAGE RANGE:  
 $V_{CC}(\text{OPR}) = 2\text{V to } 5.5\text{V}$
- IMPROVED LATCH-UP IMMUNITY



### ORDER CODES

PACKAGE	T & R
SOT23-5L	74V1G79STR
SOT323-5L	74V1G79CTR

### DESCRIPTION

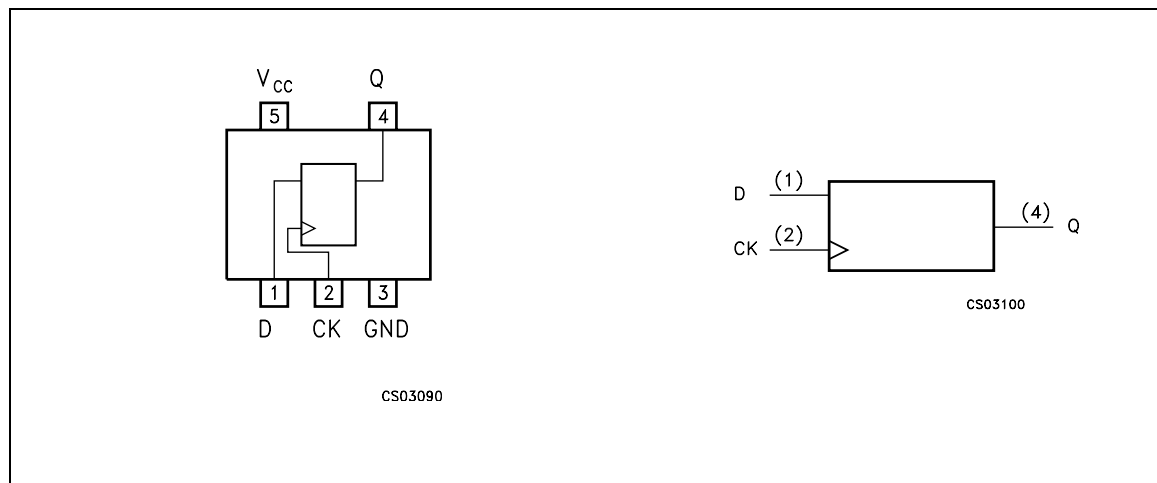
The 74V1G79 is an advanced high-speed CMOS SINGLE POSITIVE EDGE TRIGGERED D-TYPE FLIP-FLOP fabricated with sub-micron silicon gate and double-layer metal wiring C<sup>2</sup>MOS technology. It is designed to operate from 2V to 5.5V, making this device ideal for portable applications.

This D-Type flip-flop is controlled by a clock input (CK). On the positive transition of the clock, the Q output will be set to the logic state that was setup at the D input.

Following the hold time interval, data at the D input can be changed without affecting the level at the output. Power down protection is provided on inputs and 0 to 7V can be accepted on inputs with no regard to the supply voltage. This device can be used to interface 5V to 3V systems.

It's available in the commercial and extended temperature range. All inputs and output are equipped with protection circuits against static discharge, giving them ESD immunity and transient excess voltage.

### PIN CONNECTION AND IEC LOGIC SYMBOLS





## DC SPECIFICATIONS

Symbol	Parameter	Test Condition		Value						Unit	
		V <sub>CC</sub> (V)		T <sub>A</sub> = 25°C			-40 to 85°C		-55 to 125°C		
				Min.	Typ.	Max.	Min.	Max.	Min.		Max.
V <sub>IH</sub>	High Level Input Voltage	2.0		1.5			1.5		1.5		V
		3.0 to 5.5		0.7V <sub>CC</sub>			0.7V <sub>CC</sub>		0.7V <sub>CC</sub>		
V <sub>IL</sub>	Low Level Input Voltage	2.0				0.5		0.5		0.5	V
		3.0 to 5.5				0.3V <sub>CC</sub>		0.3V <sub>CC</sub>		0.3V <sub>CC</sub>	
V <sub>OH</sub>	High Level Output Voltage	2.0	I <sub>O</sub> = -50 μA	1.9	2.0		1.9		1.9		V
		3.0	I <sub>O</sub> = -50 μA	2.9	3.0		2.9		2.9		
		4.5	I <sub>O</sub> = -50 μA	4.4	4.5		4.4		4.4		
		3.0	I <sub>O</sub> = -4 mA	2.58			2.48		2.4		
		4.5	I <sub>O</sub> = -8 mA	3.94			3.8		3.7		
V <sub>OL</sub>	Low Level Output Voltage	2.0	I <sub>O</sub> = 50 μA		0.0	0.1		0.1		0.1	V
		3.0	I <sub>O</sub> = 50 μA		0.0	0.1		0.1		0.1	
		4.5	I <sub>O</sub> = 50 μA		0.0	0.1		0.1		0.1	
		3.0	I <sub>O</sub> = 4 mA			0.36		0.44		0.55	
		4.5	I <sub>O</sub> = 8 mA			0.36		0.44		0.55	
I <sub>I</sub>	Input Leakage Current	0 to 5.5	V <sub>I</sub> = 5.5V or GND			± 0.1		± 1		± 1	μA
I <sub>CC</sub>	Quiescent Supply Current	5.5	V <sub>I</sub> = V <sub>CC</sub> or GND			1		10		20	μA

AC ELECTRICAL CHARACTERISTICS (Input t<sub>r</sub> = t<sub>f</sub> = 3ns)

Symbol	Parameter	Test Condition		Value						Unit	
		V <sub>CC</sub> (V)	C <sub>L</sub> (pF)	T <sub>A</sub> = 25°C			-40 to 85°C		-55 to 125°C		
				Min.	Typ.	Max.	Min.	Max.	Min.		Max.
t <sub>PLH</sub> t <sub>PHL</sub>	Propagation Delay Time CK to Q	3.3(*)	15		5.4	8.0	1.0	9.5	1.0	10.5	ns
		3.3(*)	50		5.9	8.5	1.0	10.0	1.0	11.0	
		5.0(**)	15		3.9	5.5	1.0	6.5	1.0	7.5	
		5.0(**)	50		4.5	6.5	1.0	7.5	1.0	8.5	
t <sub>W</sub>	CK Pulse Width, HIGH or LOW	3.3(*)				4.0		4.0		4.0	ns
		5.0(**)				3.0		3.0		3.0	
t <sub>s</sub>	Setup Time D to CK, HIGH or LOW	3.3(*)				4.0		4.0		4.0	ns
		5.0(**)				3.0		3.0		3.0	
t <sub>h</sub>	Hold Time D to CK, HIGH or LOW	3.3(*)				1.0		1.0		1.0	ns
		5.0(**)				1.0		1.0		1.0	
f <sub>MAX</sub>	Maximum Clock Frequency	3.3(*)	50		100	120		90		90	MHz
		5.0(**)	50		165	180		150		150	

(\*) Voltage range is 3.3V ± 0.3V

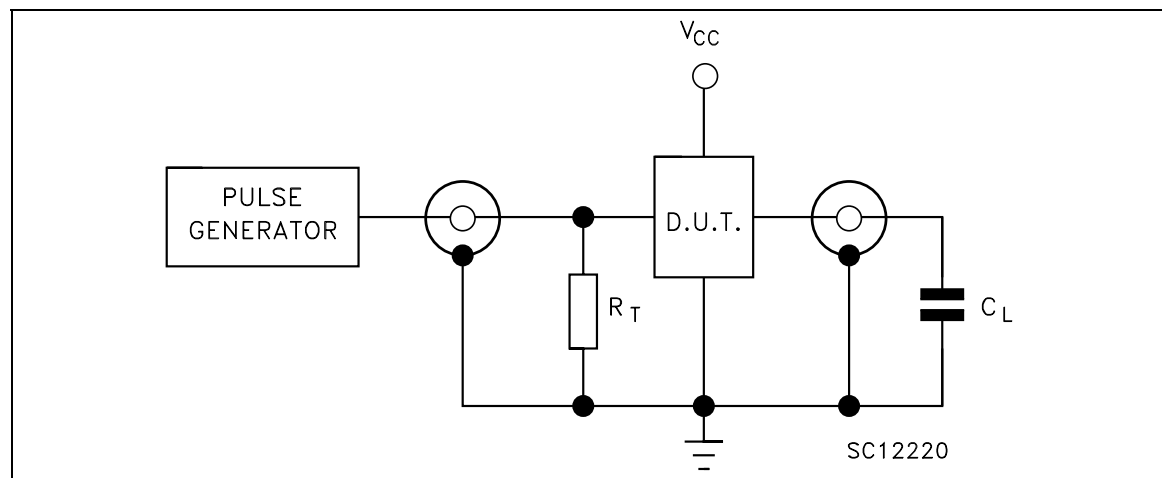
(\*\*) Voltage range is 5.0V ± 0.5V

## CAPACITIVE CHARACTERISTICS

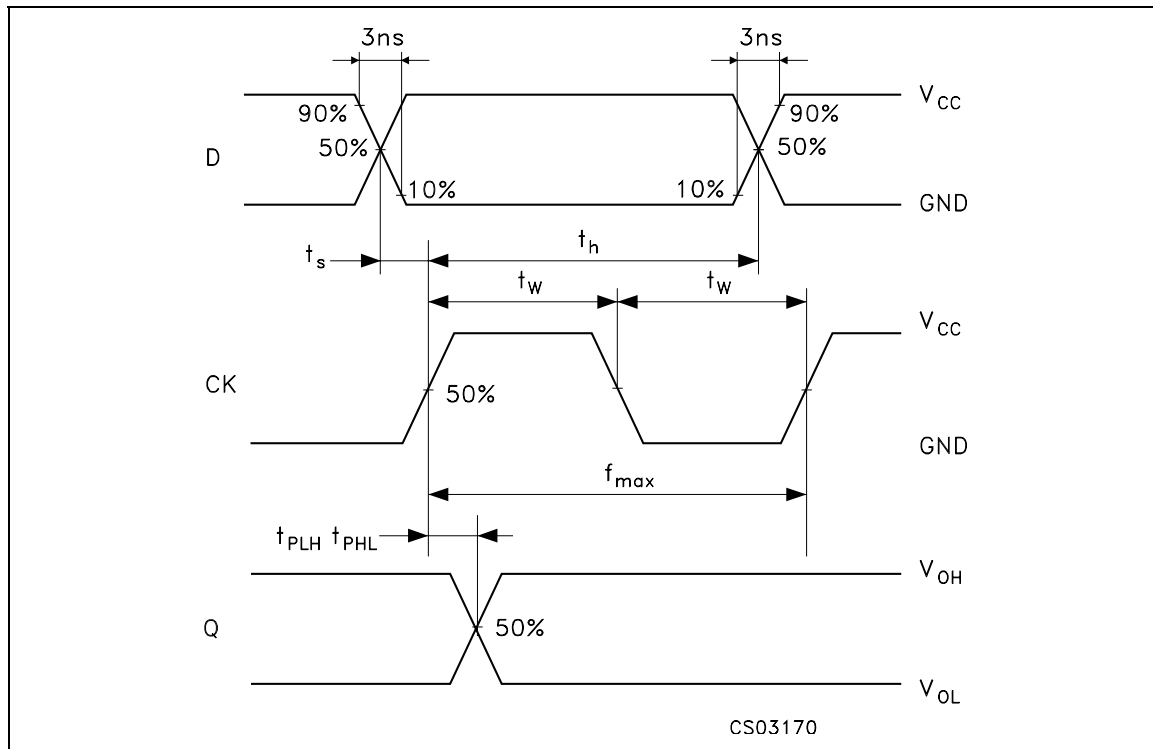
Symbol	Parameter	Test Condition	Value						Unit	
			T <sub>A</sub> = 25°C			-40 to 85°C		-55 to 125°C		
			Min.	Typ.	Max.	Min.	Max.	Min.		Max.
C <sub>IN</sub>	Input Capacitance			4	10			10		pF
C <sub>PD</sub>	Power Dissipation Capacitance (note 1)			8						pF

1) C<sub>PD</sub> is defined as the value of the IC's internal equivalent capacitance which is calculated from the operating current consumption without load. (Refer to Test Circuit). Average operating current can be obtained by the following equation.  $I_{CC(opr)} = C_{PD} \times V_{CC} \times f_{IN} + I_{CC}$

## TEST CIRCUIT

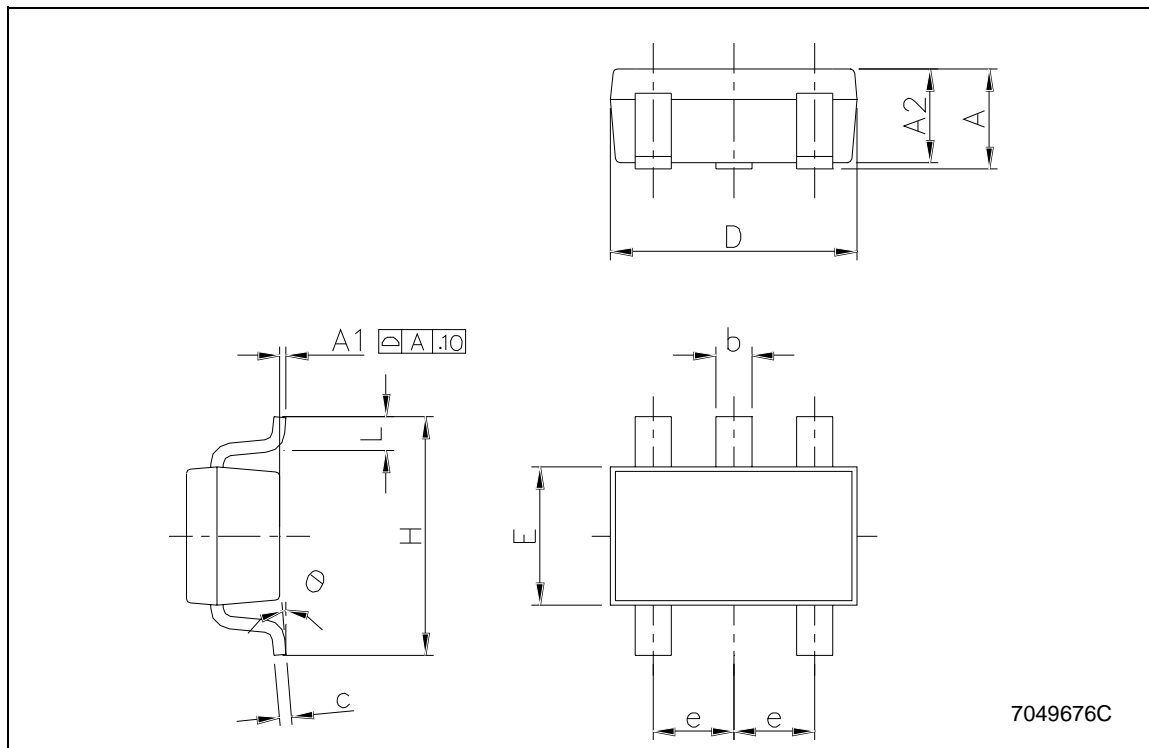


C<sub>L</sub> = 15/50pF or equivalent (includes jig and probe capacitance)  
R<sub>T</sub> = Z<sub>OUT</sub> of pulse generator (typically 50Ω)

**WAVEFORM: PROPAGATION DELAY, SETUP AND HOLD TIMES (f=1MHz; 50% duty cycle)**

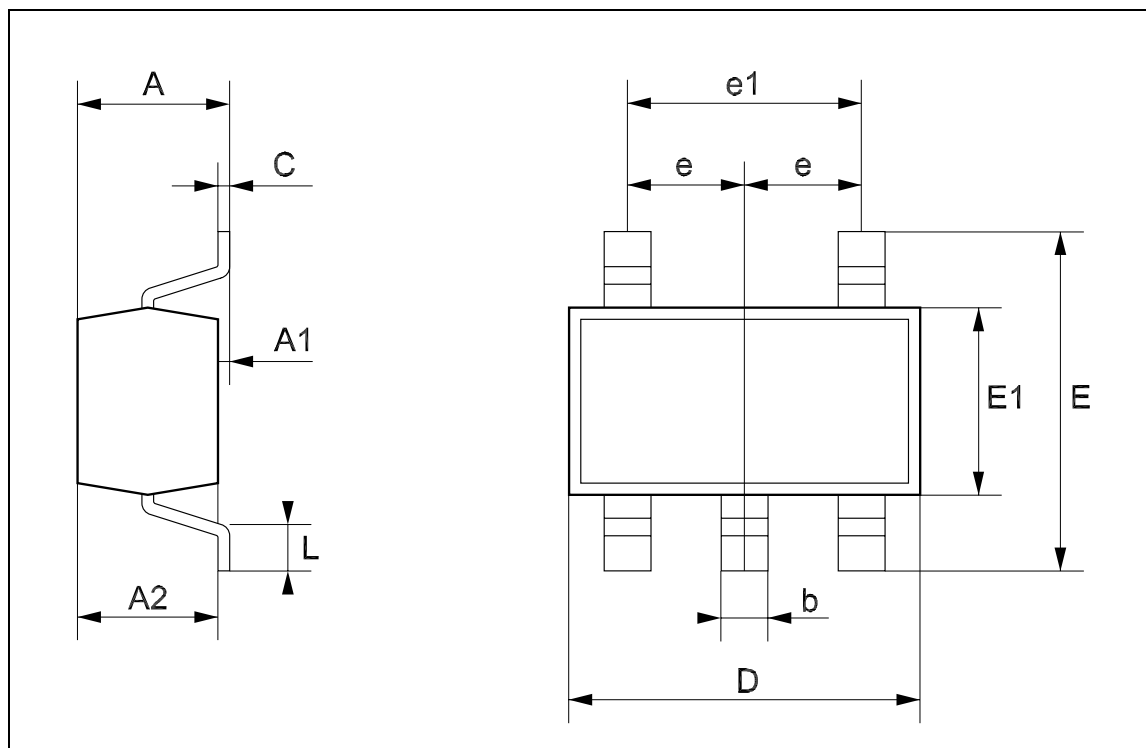
## SOT23-5L MECHANICAL DATA

DIM.	mm.			mils		
	MIN.	TYP	MAX.	MIN.	TYP.	MAX.
A	0.90		1.45	35.4		57.1
A1	0.00		0.10	0.0		3.9
A2	0.90		1.30	35.4		51.2
b	0.35		0.50	13.7		19.7
C	0.09		0.20	3.5		7.8
D	2.80		3.00	110.2		118.1
E	1.50		1.75	59.0		68.8
e		0.95			37.4	
H	2.60		3.00	102.3		118.1
L	0.10		0.60	3.9		23.6



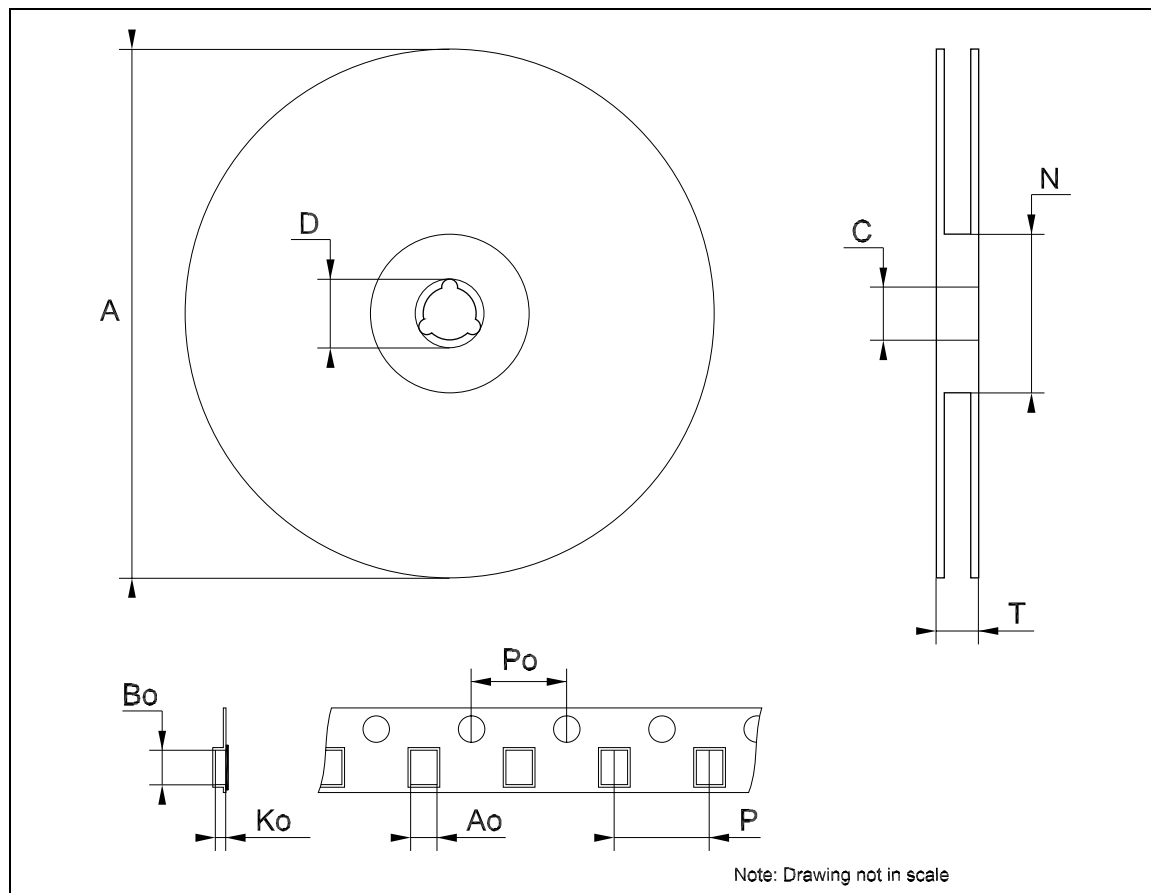
## SOT323-5L MECHANICAL DATA

DIM.	mm.			mils		
	MIN.	TYP	MAX.	MIN.	TYP.	MAX.
A	0.80		1.10	31.5		43.3
A1	0.00		0.10	0.0		3.9
A2	0.80		1.00	31.5		39.4
b	0.15		0.30	5.9		11.8
C	0.10		0.18	3.9		7.1
D	1.80		2.20	70.9		86.6
E	1.80		2.40	70.9		94.5
E1	1.15		1.35	45.3		53.1
e		0.65			25.6	
e1		1.3			51.2	
L	0.10		0.30	3.9		11.8



## Tape &amp; Reel SOT23-xL MECHANICAL DATA

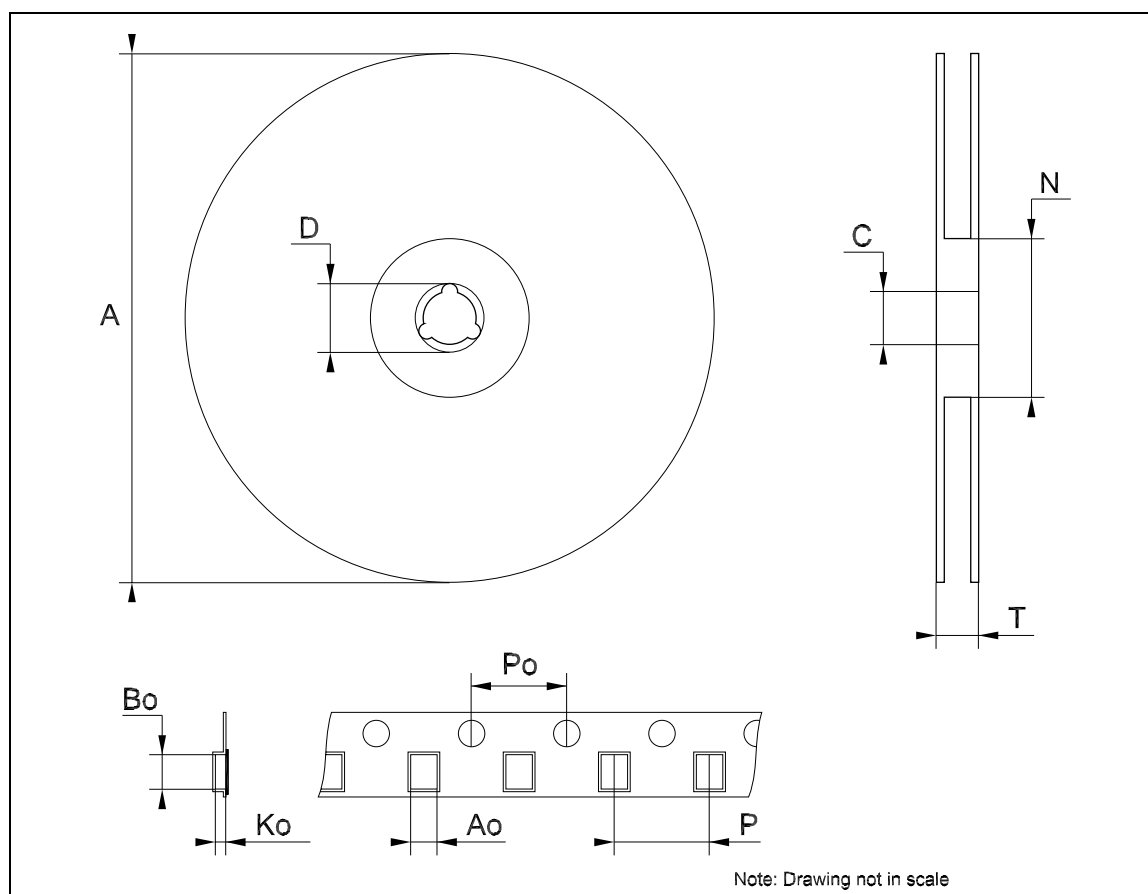
DIM.	mm.			inch		
	MIN.	TYP	MAX.	MIN.	TYP.	MAX.
A			180			7.086
C	12.8	13.0	13.2	0.504	0.512	0.519
D	20.2			0.795		
N	60			2.362		
T			14.4			0.567
Ao	3.13	3.23	3.33	0.123	0.127	0.131
Bo	3.07	3.17	3.27	0.120	0.124	0.128
Ko	1.27	1.37	1.47	0.050	0.054	0.058
Po	3.9	4.0	4.1	0.153	0.157	0.161
P	3.9	4.0	4.1	0.153	0.157	0.161





### Tape & Reel SOT323-xL MECHANICAL DATA

DIM.	mm.			inch		
	MIN.	TYP	MAX.	MIN.	TYP.	MAX.
A	175	180	185	6.889	7.086	7.283
C	12.8	13	13.2	0.504	0.512	0.519
D	20.2			0.795		
N	59.5	60	60.5		2.362	
T			14.4			0.567
Ao		2.25			0.088	
Bo		2.7			0.106	
Ko		1.2			0.047	
Po	3.9	4	4.1	0.153	0.157	0.161
P	3.8	4	4.2	0.149	0.157	0.165



Information furnished is believed to be accurate and reliable. However, STMicroelectronics assumes no responsibility for the consequences of use of such information nor for any infringement of patents or other rights of third parties which may result from its use. No license is granted by implication or otherwise under any patent or patent rights of STMicroelectronics. Specifications mentioned in this publication are subject to change without notice. This publication supersedes and replaces all information previously supplied. STMicroelectronics products are not authorized for use as critical components in life support devices or systems without express written approval of STMicroelectronics.

The ST logo is a registered trademark of STMicroelectronics  
All other names are the property of their respective owners

© 2004 STMicroelectronics - All Rights Reserved  
STMicroelectronics GROUP OF COMPANIES

Australia - Belgium - Brazil - Canada - China - Czech Republic - Finland - France - Germany - Hong Kong - India - Israel - Italy - Japan -  
Malaysia - Malta - Morocco - Singapore - Spain - Sweden - Switzerland - United Kingdom - United States.  
<http://www.st.com>