

## FEATURES

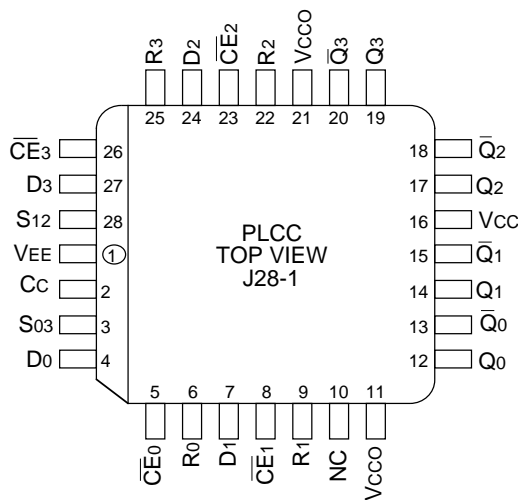
- 1100MHz min. toggle frequency
- Extended 100E VEE range of -4.2V to -5.5V
- Differential output
- Individual and common clocks
- Individual asynchronous reset
- Paired asynchronous sets
- Fully compatible with Industry standard 10KH, 100K ECL levels
- Internal 75KΩ input pulldown resistors
- Fully compatible with Motorola MC10E/100E131
- Available in 28-pin PLCC package

## DESCRIPTION

The SY10/100E131 are high-speed quad master slave D-type flip-flops with differential outputs designed for use in new, high-performance ECL systems. The flip-flops may be individually clocked by holding Cc (Common Clock) at a logic LOW and then using the four individual  $\overline{CE}$  (Clock Enable  $\overline{CE}_0$ - $\overline{CE}_3$ ) inputs to accomplish such clocking. Alternatively, all four flip-flops can be clocked in common by holding the  $\overline{CE}$  inputs LOW and then using Cc to clock the data. In the common clock mode, the  $\overline{CE}$  input acts as a control that passes the Cc signal to the flip-flop. Data is clocked into the flip-flop on the rising edge of the output of the logical OR operation between  $\overline{CE}$  and Cc (data enters the master when both Cc and  $\overline{CE}$  are LOW and data transfers to the slave when either  $\overline{CE}$  or Cc, or both, go HIGH).

Asynchronous set and reset controls are provided. The reset controls are individual and the set controls are pairwise.

## PIN CONFIGURATION

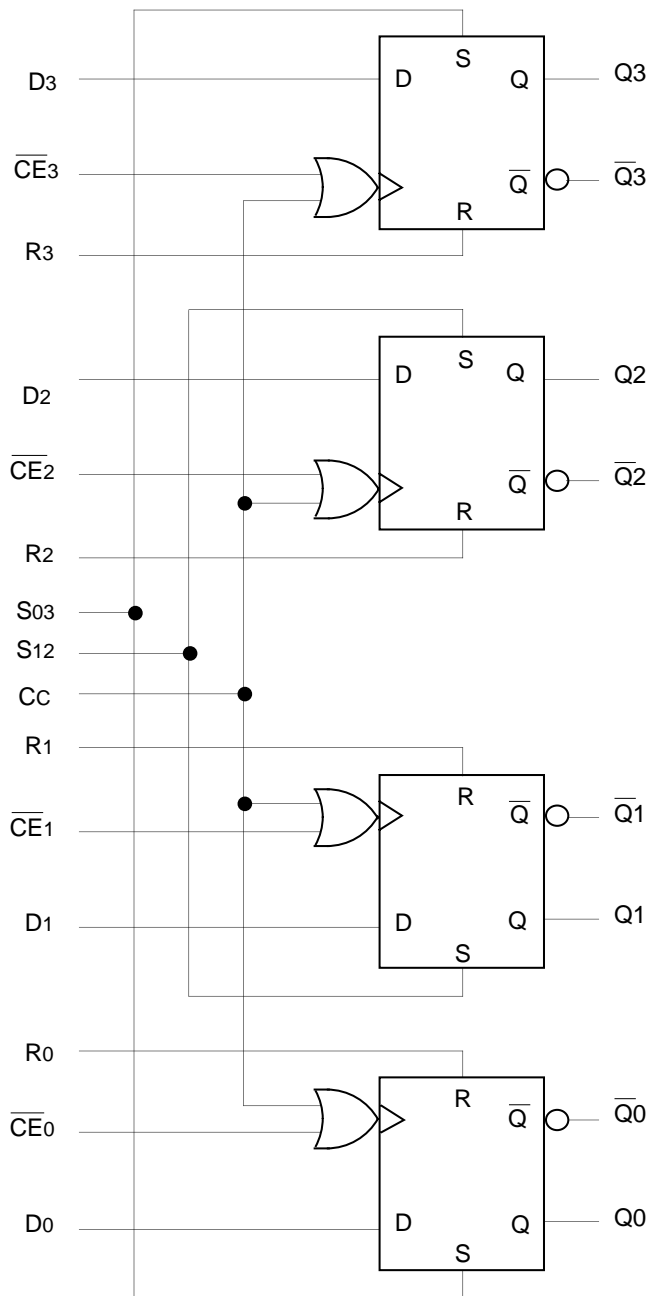


## PIN NAMES

Pin	Function
D0-D3	Data Inputs
$\overline{CE}_0$ - $\overline{CE}_3$	Clock Enables (Individual)
R0-R3	Resets
Cc	Common Clock
S03, S12	Sets (paired)
Q0-Q3	True Outputs
$\overline{Q}_0$ - $\overline{Q}_3$	Inverting Outputs
Vcc0	Vcc to Output

**BLOCK DIAGRAM**

**TRUTH TABLE**



Pin	State	Mode
Cc	L	Individual clocking with $\overline{CE}_n$
$\overline{CE}$	L	Common clocking with Cc

**DC ELECTRICAL CHARACTERISTICS**

VEE = VEE(Min.) to VEE(Max.); VCC = VCCO = GND

Symbol	Parameter	TA = -40°C			TA = 0°C			TA = +25°C			TA = +85°C			Unit	
		Min.	Typ.	Max.	Min.	Typ.	Max.	Min.	Typ.	Max.	Min.	Typ.	Max.		
IIH	Input HIGH Current	Cc	—	—	350	—	—	350	—	—	350	—	—	350	μA
		S	—	—	450	—	—	450	—	—	450	—	—	450	
		R	—	—	300	—	—	300	—	—	300	—	—	300	
		CE	—	—	300	—	—	300	—	—	300	—	—	300	
		D	—	—	150	—	—	150	—	—	150	—	—	150	
IEE	Power Supply Current	10E	—	58	70	—	58	70	—	58	70	—	58	70	mA
		100E	—	58	70	—	58	70	—	58	70	—	67	81	

**AC ELECTRICAL CHARACTERISTICS**

VEE = VEE(Min.) to VEE(Max.); VCC = VCCO = GND

Symbol	Parameter	TA = -40°C			TA = 0°C			TA = +25°C			TA = +85°C			Unit	
		Min.	Typ.	Max.	Min.	Typ.	Max.	Min.	Typ.	Max.	Min.	Typ.	Max.		
fMAX	Max. Toggle Frequency	1100	1400	—	1100	1400	—	1100	1400	—	1100	1400	—	MHz	
tPLH	Propagation Delay to Output	CE	310	600	750	360	500	700	360	500	700	360	500	700	ps
tPHL		Cc	275	600	725	325	500	675	325	500	675	325	500	675	
		R	300	625	775	350	550	725	350	550	725	350	550	725	
		S	300	550	775	350	550	725	350	550	725	350	550	725	
ts	Set-up Time, D <sup>(2)</sup>	200	20	—	150	20	—	150	20	—	150	20	—	ps	
th	Hold Time, D <sup>(2)</sup>	225	-20	—	175	-20	—	175	-20	—	175	-20	—	ps	
tRR	Reset Recovery Time	450	150	—	400	150	—	400	150	—	400	150	—	ps	
tPW	Minimum Pulse Width	Clk	400	—	—	400	—	—	400	—	—	400	—	—	ps
		R, S	400	—	—	400	—	—	400	—	—	400	—	—	
t <sub>skew</sub>	Within-Device Skew <sup>(1)</sup>	—	60	—	—	60	—	—	60	—	—	60	—	ps	
tr	Rise/Fall Time 20% to 80%		275	460	725	300	480	675	300	480	675	300	480	675	ps
tf															

**NOTES:**

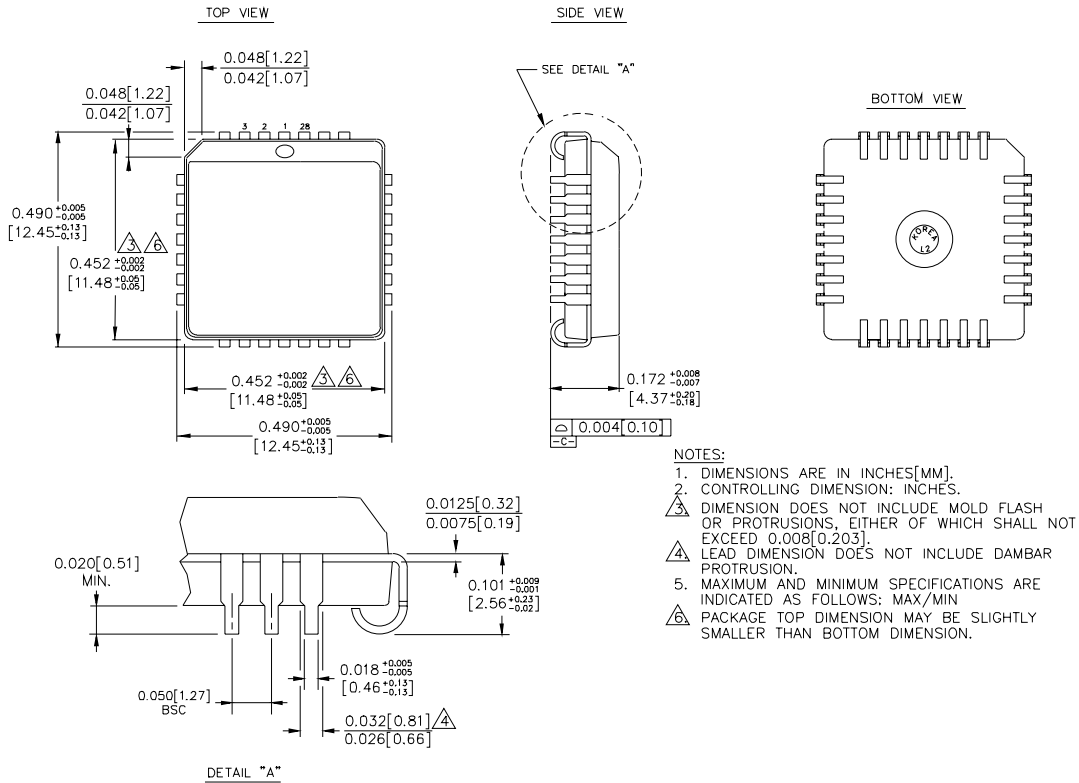
1. Within-device skew is defined as identical transitions on similar paths through a device.
2. Set-up/hold times guaranteed for both Cc and CE.

**PRODUCT ORDERING CODE**

Ordering Code	Package Type	Operating Range
SY10E131JC	J28-1	Commercial
SY10E131JCTR	J28-1	Commercial
SY100E131JC	J28-1	Commercial
SY100E131JCTR	J28-1	Commercial

Ordering Code	Package Type	Operating Range
SY10E131JI	J28-1	Industrial
SY10E131JITR	J28-1	Industrial
SY100E131JI	J28-1	Industrial
SY100E131JITR	J28-1	Industrial

**28 LEAD PLCC (J28-1)**



Rev. 03

**MICREL-SYNERGY 3250 SCOTT BOULEVARD SANTA CLARA CA 95054 USA**

TEL + 1 (408) 980-9191 FAX + 1 (408) 914-7878 WEB <http://www.micrel.com>

This information is believed to be accurate and reliable, however no responsibility is assumed by Micrel for its use nor for any infringement of patents or other rights of third parties resulting from its use. No license is granted by implication or otherwise under any patent or patent right of Micrel Inc.

© 2000 Micrel Incorporated