

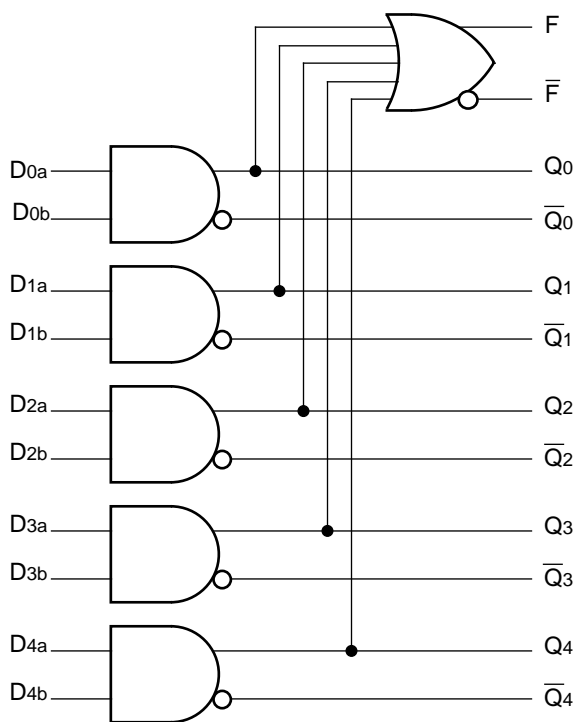
FEATURES

- 600ps max. propagation delay
- Extended 100E VEE range of -4.2V to -5.5V
- True and complementary outputs
- OR/NOR function outputs
- Fully compatible with Industry standard 10KH, 100K I/O levels
- Internal 75KΩ input pulldown resistors
- Fully compatible with Motorola MC10E/100E104
- Available in 28-pin PLCC package

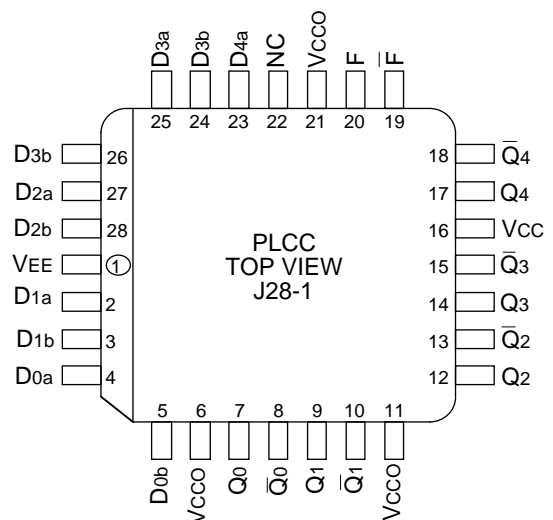
DESCRIPTION

The SY10/100E104 are quint 2-input AND/NAND gates designed for use in new, high-performance ECL systems. The E104 also features a function output, F, which is the OR of all five AND gate outputs, while \bar{F} is the NOR. Both true and complementary outputs are provided.

BLOCK DIAGRAM



PIN CONFIGURATION



PIN NAMES

Pin	Function
Dna, Dnb	Data Inputs
Q0-Q4	AND Outputs
$\bar{Q}0-\bar{Q}4$	NAND Outputs
F	OR Output
\bar{F}	NOR Output
VCC0	Vcc to Output

LOGIC EQUATION

$$F = (D0a \cdot D0b) + (D1a \cdot D1b) + (D2a \cdot D2b) + (D3a \cdot D3b) + (D4a \cdot D4b)$$

DC ELECTRICAL CHARACTERISTICS

$V_{EE} = V_{EE} (\text{Min.})$ to $V_{EE} (\text{Max.})$; $V_{CC} = V_{CCO} = \text{GND}$

Symbol	Parameter	$T_A = -40^\circ\text{C}$			$T_A = 0^\circ\text{C}$			$T_A = +25^\circ\text{C}$			$T_A = +85^\circ\text{C}$			Unit
		Min.	Typ.	Max.	Min.	Typ.	Max.	Min.	Typ.	Max.	Min.	Typ.	Max.	
I_{IH}	Input HIGH Current	—	—	200	—	—	200	—	—	200	—	—	200	μA
I_{EE}	Power Supply Current	10E	38	46	38	46	38	46	38	46	38	46	46	mA
		100E	38	46	38	46	38	46	38	46	44	53		

AC ELECTRICAL CHARACTERISTICS

$V_{EE} = V_{EE} (\text{Min.})$ to $V_{EE} (\text{Max.})$; $V_{CC} = V_{CCO} = \text{GND}$

Symbol	Parameter	$T_A = -40^\circ\text{C}$			$T_A = 0^\circ\text{C}$			$T_A = +25^\circ\text{C}$			$T_A = +85^\circ\text{C}$			Unit
		Min.	Typ.	Max.	Min.	Typ.	Max.	Min.	Typ.	Max.	Min.	Typ.	Max.	
t_{PLH} t_{PHL}	Propagation Delay to Output D to Q D to F	225 500	385 725	600 1000	225 500	385 725	600 1000	225 500	385 725	600 1000	225 500	385 725	600 1000	ps
t_{skew}	Within-Device Skew, D to Q ⁽¹⁾	—	75	—	—	75	—	—	75	—	—	75	—	ps
t_r t_f	Rise/Fall Time 20% to 80% Q F	275 300	425 475	700 700	275 300	425 475	700 700	275 300	425 475	700 700	275 300	425 475	700 700	ps

NOTE:

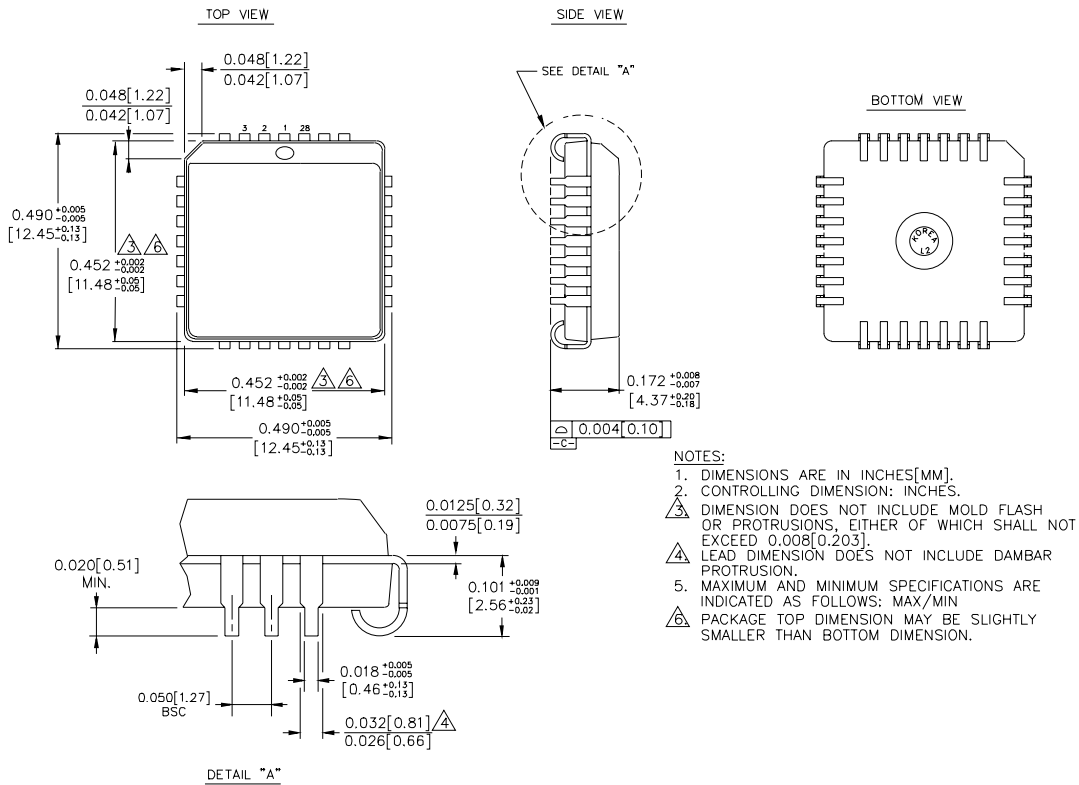
1. Within-device skew is defined as identical transitions on similar paths through a device.

PRODUCT ORDERING CODE

Ordering Code	Package Type	Operating Range
SY10E104JC	J28-1	Commercial
SY10E104JCTR	J28-1	Commercial
SY100E104JC	J28-1	Commercial
SY100E104JCTR	J28-1	Commercial

Ordering Code	Package Type	Operating Range
SY10E104JI	J28-1	Industrial
SY10E104JITR	J28-1	Industrial
SY100E104JI	J28-1	Industrial
SY100E104JITR	J28-1	Industrial

28 LEAD PLCC (J28-1)



Rev. 03

MICREL-SYNERGY 3250 SCOTT BOULEVARD SANTA CLARA CA 95054 USA

TEL + 1 (408) 980-9191 FAX + 1 (408) 914-7878 WEB <http://www.micrel.com>

This information is believed to be accurate and reliable, however no responsibility is assumed by Micrel for its use nor for any infringement of patents or other rights of third parties resulting from its use. No license is granted by implication or otherwise under any patent or patent right of Micrel Inc.

© 2000 Micrel Incorporated
