

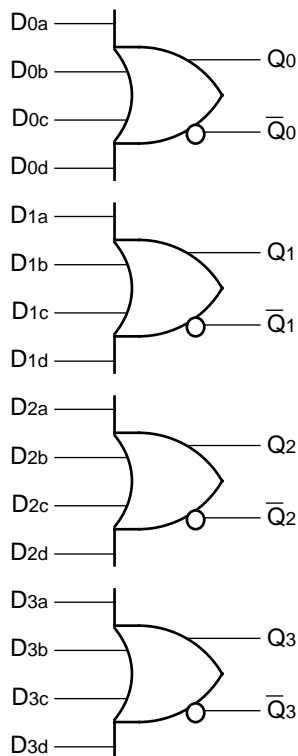
FEATURES

- 500ps max. propagation delay
- Extended 100E VEE range of $-4.2V$ to $-5.5V$
- True and complementary outputs
- Fully compatible with industry standard 10KH, 100K I/O levels
- Internal 75K Ω input pulldown resistors
- Fully compatible with Motorola MC10E/100E101
- Available in 28-pin PLCC package

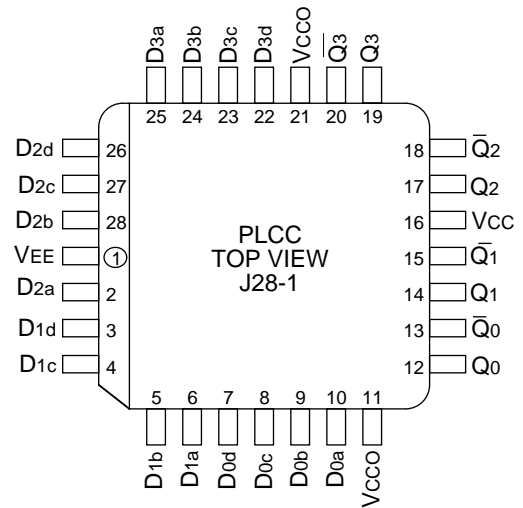
DESCRIPTION

The SY10/100E101 are quad 4-input OR/NOR gates designed for use in new, high-performance ECL systems. The E101 features both true and complementary outputs.

BLOCK DIAGRAM



PIN CONFIGURATION



PIN NAMES

Pin	Function
Dna, Dnb, Dnc, Dnd	Data Inputs
Q0-Q3	True Outputs
$\bar{Q}0-\bar{Q}3$	Inverting Outputs
Vcco	Vcc to Output

LOGIC EQUATION

$$Q_n = D_{na} + D_{nb} + D_{nc} + D_{nd}$$

DC ELECTRICAL CHARACTERISTICS

$V_{EE} = V_{EE}(\text{Min.})$ to $V_{EE}(\text{Max.})$; $V_{CC} = V_{CCO} = \text{GND}$

Symbol	Parameter	$T_A = -40^\circ\text{C}$			$T_A = 0^\circ\text{C}$			$T_A = +25^\circ\text{C}$			$T_A = +85^\circ\text{C}$			Unit
		Min.	Typ.	Max.	Min.	Typ.	Max.	Min.	Typ.	Max.	Min.	Typ.	Max.	
I _{IH}	Input HIGH Current	—	—	150	—	—	150	—	—	150	—	—	150	μA
I _{EE}	Power Supply Current	—	—	—	—	—	—	—	—	—	—	—	—	mA
	10EL	—	30	36	—	30	36	—	30	36	—	30	36	
	100EL	—	30	36	—	30	36	—	30	36	—	35	42	

AC ELECTRICAL CHARACTERISTICS

$V_{EE} = V_{EE}(\text{Min.})$ to $V_{EE}(\text{Max.})$; $V_{CC} = V_{CCO} = \text{GND}$

Symbol	Parameter	$T_A = -40^\circ\text{C}$			$T_A = 0^\circ\text{C}$			$T_A = +25^\circ\text{C}$			$T_A = +85^\circ\text{C}$			Unit
		Min.	Typ.	Max.	Min.	Typ.	Max.	Min.	Typ.	Max.	Min.	Typ.	Max.	
t _{PLH} t _{PHL}	Propagation Delay to Output D to Q	150	—	550	200	350	500	200	350	500	200	350	500	ps
t _{skew}	Within-Device Skew ⁽¹⁾	—	50	—	—	50	—	—	50	—	—	50	—	ps
	Within-Gate Skew ⁽²⁾	—	25	—	—	25	—	—	25	—	—	25	—	ps
t _r t _f	Rise/Fall Time 20% to 80%	275	—	625	300	380	575	300	380	575	300	380	575	ps

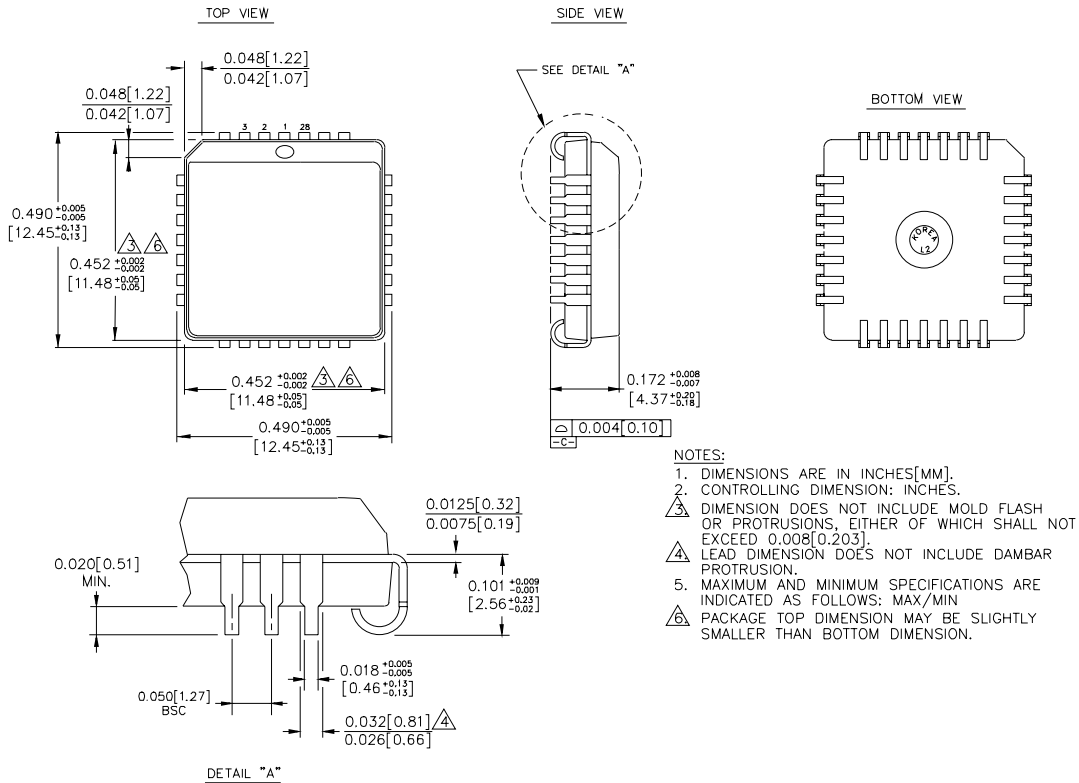
NOTES:

1. Within-device skew is defined as identical transitions on similar paths through a device.
2. Within-gate skew is defined as the variation in propagation delays through a single gate when driven from its different inputs.

PRODUCT ORDERING CODE

Ordering Code	Package Type	Operating Range	Ordering Code	Package Type	Operating Range
SY10E101JC	J28-1	Commercial	SY10E101JI	J28-1	Industrial
SY10E101JCTR	J28-1	Commercial	SY10E101JITR	J28-1	Industrial
SY100E101JC	J28-1	Commercial	SY100E101JI	J28-1	Industrial
SY100E101JCTR	J28-1	Commercial	SY100E101JITR	J28-1	Industrial

28 LEAD PLCC (J28-1)



Rev. 03

MICREL-SYNERGY 3250 SCOTT BOULEVARD SANTA CLARA CA 95054 USA

TEL + 1 (408) 980-9191 FAX + 1 (408) 914-7878 WEB <http://www.micrel.com>

This information is believed to be accurate and reliable, however no responsibility is assumed by Micrel for its use nor for any infringement of patents or other rights of third parties resulting from its use. No license is granted by implication or otherwise under any patent or patent right of Micrel Inc.

© 2000 Micrel Incorporated