

# TPS29XPK-G3

## Crystal Clock Oscillators (SPXO )

### Feature

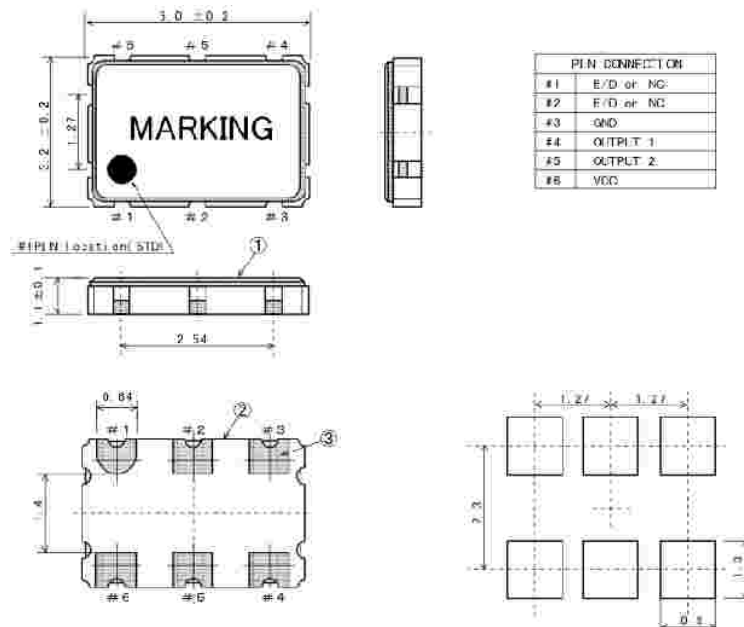
- Ultra-small, reflow solderable, tri-state output function.
- LV-PECL IC, Direct connection with IC is Possible.
- Suitable as a standard clock signal source, Wireless LAN and other high precision requirements.
- RoHS compliance applied



### Specifications

| Item                | Symbol    | Specifications   | Conditions      |
|---------------------|-----------|--|-----------------|
| Frequency Range     | $f_0$     | 50MHz ~ 170.0 MHz  |                 |
| Supply Voltage      | Vcc       | +2.5V, +3.3V   |                 |
| Input Current       | Icc       | 88 mA max.   | Vcc=3.3V        |
| Load                |           | Vtt=Vcc-2.0V Rt=50   | LV-PECL 出力      |
| Frequency Stability | $f_{tol}$ | $\pm 25, \pm 50, \pm 100 \times 10^{-6}$ max.<br>(at -10 °C ~ +70 °C)        | All Condition   |
| Output Voltage      | V         | V <sub>OH</sub> : 2.2V (1.415V) min.<br>V <sub>OL</sub> : 1.7V (1.195V) max. | Vcc=3.3V (2.5V) |
| Symmetry            | SYM       | 40% ~ 60%  | 50% Vcc         |
| Rise / Fall Time    | tr/tf     | 1.0 ns (0.7ns) max.  | Vcc=3.3V (2.5V) |

### Outline



Products with specific requirements are available upon request