

TPS29XLK-G3

Crystal Clock Oscillators (SPXO)

Feature

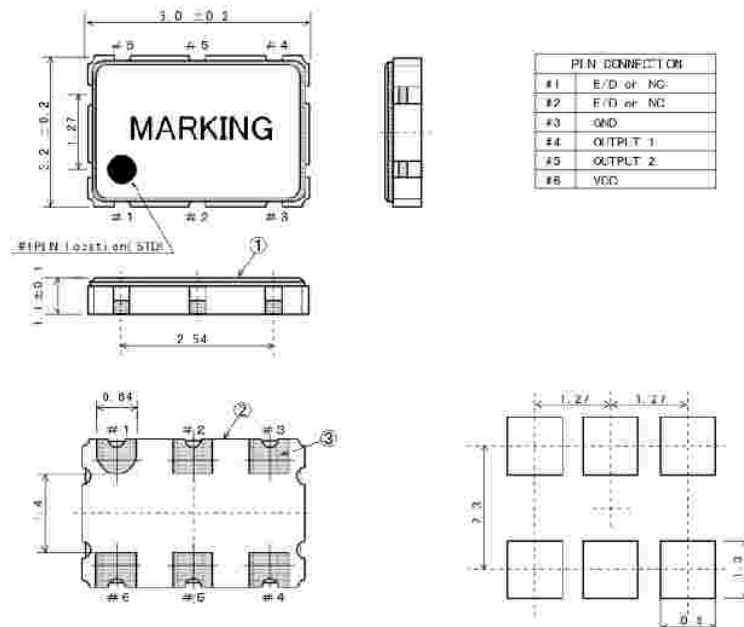
- Ultra-small,reflow solderable,tri-state output function.
- LVDS IC,Direct connection with IC is Possible.
- Suitable as a standard clock signal source,Wireless LAN and other high precision requirements.
- RoHS compliance applied



Specifications

Item	Symbol	Specifications	Conditions
Frequency Range	f_0	80MHz ~ 170.0 MHz	
Supply Voltage	Vcc	+2.5V, +3.3V	
Input Current	Icc	66 mA max.	Vcc=3.3V
Load		100 (out1-out2)	LVDS
Frequency Stability	f_{tol}	$\pm 25, \pm 50, \pm 100 \times 10^{-6}$ max. (at -10 °C ~ +70 °C)	All Condition
Differential Output Voltage	V (typ)	0.33V (@1.25V)	Offset Voltage
Symmetry	SYM	40% ~ 60%	50% Vcc
Rise / Fall Time	tr/ tf	0.7 ns max.	

Outline



Products with specific requirements as available upon request