

DATA SHEET

GTL2020/GTL2021/GTL2022/GTL2023 32-bit GTL terminator with octal enables

Product specification
Supersedes data of 2000 Jan 14

2000 May 16

32-bit GTL terminator with octal enables

GTL2020/GTL2021/ GTL2022/GTL2023

FEATURES

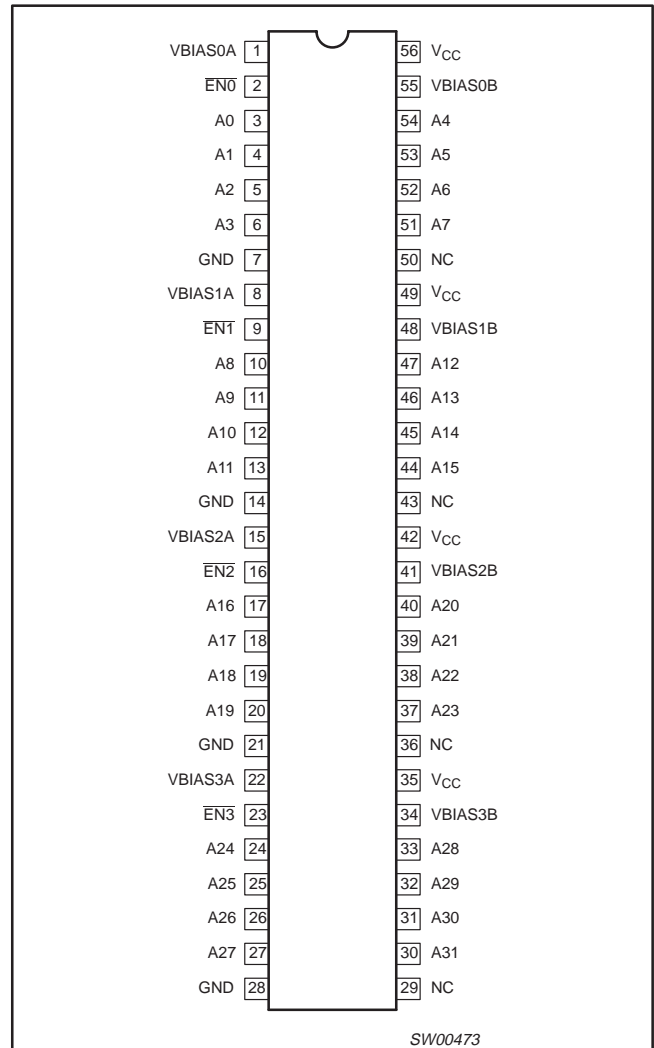
- GTL2020 r_{ON} is 56 Ω typical connected to 1.5 V V_{BIAS}
- GTL2021 r_{ON} is 75 Ω typical connected to 1.5 V V_{BIAS}
- GTL2022 r_{ON} is 100 Ω typical connected to 1.5 V V_{BIAS}
- GTL2023 r_{ON} is 150 Ω typical connected to 1.5 V V_{BIAS}
- Low power: 50 μ W
- Switching speed: 5 ns max.
- Channel on capacitance: 3 pF
- V_{CC} operating range: +5 V \pm 10%
- Latch-up protection passes Class II JESD78
- ESD protection exceeds 2000 V HBM per JESD22-A114, 200 V MM per JESD22-A115, and 1000 V CDM per JESD22-C101
- Available in TSSOP56 package

DESCRIPTION

The GTL202x series are 32-bit bus switches with GTL termination and octal output enables. The GTL202x is intended to provide GTL bus termination in multi-processor environments.

The enable pins allow the system control to disconnect the bus termination. When the bus switch is enabled, a 56, 75, 100 or 150 Ω series resistance is connected to the GTL Vbias.

PIN CONFIGURATION



QUICK REFERENCE DATA

SYMBOL	PARAMETER	CONDITIONS	TYPICAL	UNIT
		$T_{amb} = 25^{\circ}\text{C}; \text{GND} = 0\text{V}$		
$t_{PE/PD}$	Bus enable/disable	$C_L = 20 \text{ pF}, R_L = 500 \Omega$	2.5	nS
C_{ON}	Input capacitance switch on	$V_{IN} = 0 \text{ V}$	3	pF
C_{OFF}	Input capacitance switch off	$V_{IN} = 0 \text{ V}$	6	pF

ORDERING INFORMATION

PACKAGES	TEMPERATURE RANGE	ORDER CODE	DWG NUMBER
56-Pin Plastic TSSOP Type II	-40°C to +85°C	GTL2020 DGG	SOT364-1
56-Pin Plastic TSSOP Type II	-40°C to +85°C	GTL2021 DGG	SOT364-1
56-Pin Plastic TSSOP Type II	-40°C to +85°C	GTL2022 DGG	SOT364-1
56-Pin Plastic TSSOP Type II	-40°C to +85°C	GTL2023 DGG	SOT364-1

32-bit GTL terminator with octal enables

GTL2020/GTL2021/
GTL2022/GTL2023

LOGIC DIAGRAM

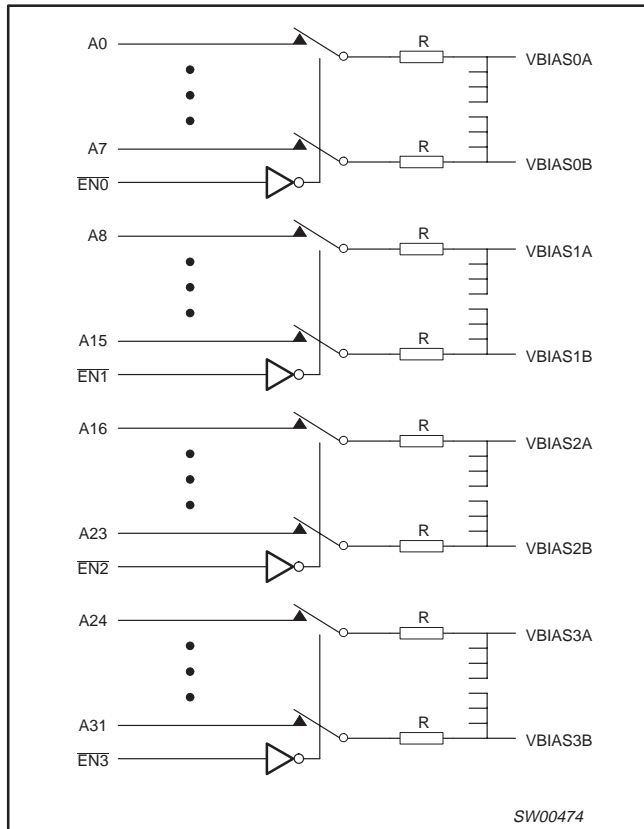


Figure 1.

FUNCTION TABLE

\overline{ENn}	SWITCH
L	ON
H	OFF

NOTES:

When enabled:

Ports Ax connect to V_{BIASnA}

Ports Ay connect to V_{BIASnB}

Where:

X = 0–3, 8–11, 16–19, 24–27

Y = 4–7, 12–15, 20–23, 28–31

ABSOLUTE MAXIMUM RATINGS¹

Above which the useful life may be impaired. For user guidelines, not tested.

SYMBOL	PARAMETER	CONDITIONS	RATING	UNIT
V_{CC}	Supply voltage to ground potentials	Inputs and V_{CC} only	-0.5 to +7.0	V
V_I	DC input voltage		-0.5 to +7.0	V
T_{stg}	Storage temperature range		-65 to +150	°C
T_{amb}	Ambient temperature range with power applied		-40 to +85	°C

NOTE:

1. Stresses greater than those listed under Absolute Maximum Ratings may cause permanent damage to the device. this is a stress rating only and functional operation of the device at these or any conditions above those indicated in the operational sections of this specification is not implied. Exposure to absolute maximum rating conditions for extended periods of time may affect reliability.

RECOMMENDED OPERATING CONDITIONS

SYMBOL	PARAMETER	TEST CONDITIONS	LIMITS			UNIT
			MIN.	TYP. ¹	MAX.	
V_{IH}	TTL input HIGH voltage	Control Inputs	2.0	—	—	V
V_{IL}	TTL input LOW voltage	Control Inputs	—	—	0.8	V
V_{CC}	DC supply voltage		4.5	—	5.5	V
V_{IH}	High-level input voltage (control pin)		2.0	—	—	V
V_{IL}	Low-level input voltage (control pin)		—	—	0.8	V
V_{BIAS}	DC supply voltage		1.35	—	1.65	V
T_{amb}	Operating free-air temperature range		-40	—	+85	°C

32-bit GTL terminator with octal enables

GTL2020/GTL2021/ GTL2022/GTL2023

DC ELECTRICAL CHARACTERISTICS

$V_{CC} = 5\text{ V} \pm 5\%$; $T_{amb} = 0^\circ\text{C}$ to $+70^\circ\text{C}$

SYMBOL	PARAMETER	TEST CONDITIONS	LIMITS			UNIT
			MIN.	TYP. ¹	MAX.	
I_I	Control inputs	$V_{CC} = 5.5\text{ V}$, $V_I = V_{CC}$ or GND	—	0.1	± 1	μA
	Switch inputs	$V_{CC} = 5.5\text{ V}$, $V_I = 1.65\text{ V}$, $V_{BIAS} = 0\text{ V}$	—	0.01	± 1	μA
V_{IK}	Input clamp voltage	$V_{CC} = 4.5\text{ V}$, $I_{IK} = -18\text{ mA}$	—	-0.85	-1.2	V
r_{ON}	GTL2020 switch on resistance	$V_{CC} = \text{MIN}$, $V_{IN} = 0\text{ V}$, $V_{BIAS} = 1.5\text{ V}$	48	56	64	Ω
	GTL2021 switch on resistance	$V_{CC} = \text{MIN}$, $V_{IN} = 0\text{ V}$, $V_{BIAS} = 1.5\text{ V}$	64	75	86	Ω
	GTL2022 switch on resistance	$V_{CC} = \text{MIN}$, $V_{IN} = 0\text{ V}$, $V_{BIAS} = 1.5\text{ V}$	85	100	115	Ω
	GTL2023 switch on resistance	$V_{CC} = \text{MIN}$, $V_{IN} = 0\text{ V}$, $V_{BIAS} = 1.5\text{ V}$	128	150	173	Ω
C_{IN}	Input capacitance ENx pins	$V_{IN} = 0\text{ V}$	—	5.6	—	pF
C_{ON}	Input capacitance, switch on	$V_{IN} = 0\text{ V}$	—	3	—	pF
C_{OFF}	Input capacitance, switch off	$V_{IN} = 0\text{ V}$	—	6	—	pF
I_{CC}	Power supply quiescent	$V_{BIAS} = 1.5\text{ V}$ OE = 0 V or V_{CC}	—	—	10	μA
ΔI_{CC}	Additional supply current per input pin ²	$V_{CC} = 4.5\text{ V}$ to 5.5 V ; one input at $V_{CC} - 3.0\text{ V}$, other inputs at V_{CC} or GND	—	0.1	0.5	mA

NOTES:

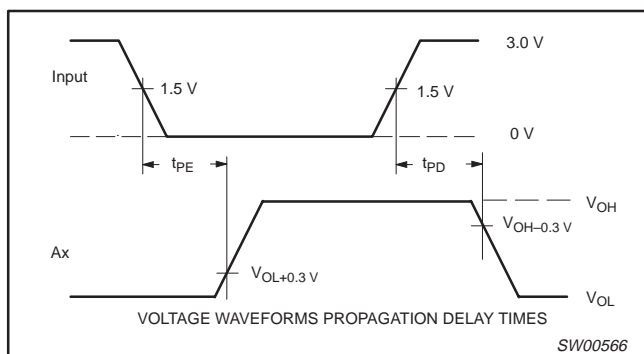
1. Typical values are shown at $V_{CC} = 5.0\text{ V}$, $+25^\circ\text{C}$ ambient and maximum loading.
2. This is the increase in supply current for each LVTTTL input at the specified voltage level other than V_{CC} or GND.

AC ELECTRICAL CHARACTERISTICS

$V_{CC} = 5\text{ V} \pm 10\%$; $T_{amb} = -40^\circ\text{C}$ to $+85^\circ\text{C}$; $t_r = t_f = 2.5\text{ nS}$

SYMBOL	PARAMETER		WAVEFORM	TEST CONDITIONS	LIMITS			UNIT
					MIN.	TYP.	MAX.	
t_{PE}	Bus enable	GTL2020	1	$C_L = 20\text{ pF}$, $R_L = 500\ \Omega$	1	—	3	ns
t_{PD}	Bus disable		1	$C_L = 20\text{ pF}$, $R_L = 500\ \Omega$	1	—	3	ns
t_{PE}	Bus enable	GTL2021	1	$C_L = 20\text{ pF}$, $R_L = 500\ \Omega$	1	—	3	ns
t_{PD}	Bus disable		1	$C_L = 20\text{ pF}$, $R_L = 500\ \Omega$	1	—	3	ns
t_{PE}	Bus enable	GTL2022	1	$C_L = 20\text{ pF}$, $R_L = 500\ \Omega$	1	—	3	ns
t_{PD}	Bus disable		1	$C_L = 20\text{ pF}$, $R_L = 500\ \Omega$	1	—	4	ns
t_{PE}	Bus enable	GTL2023	1	$C_L = 20\text{ pF}$, $R_L = 500\ \Omega$	1	—	5	ns
t_{PD}	Bus disable		1	$C_L = 20\text{ pF}$, $R_L = 500\ \Omega$	1	—	5	ns

AC WAVEFORMS



Waveform 1.

TEST CIRCUIT

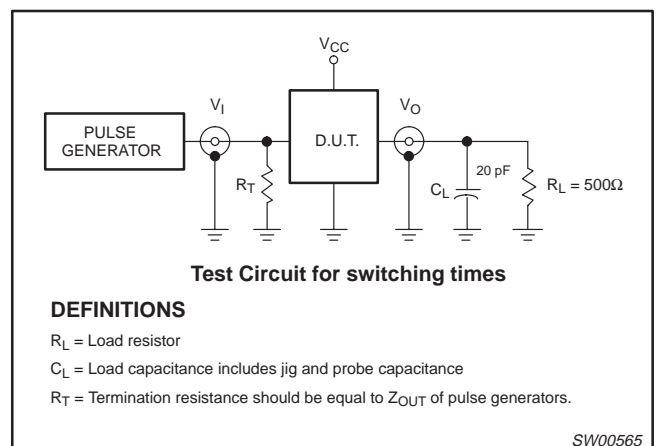


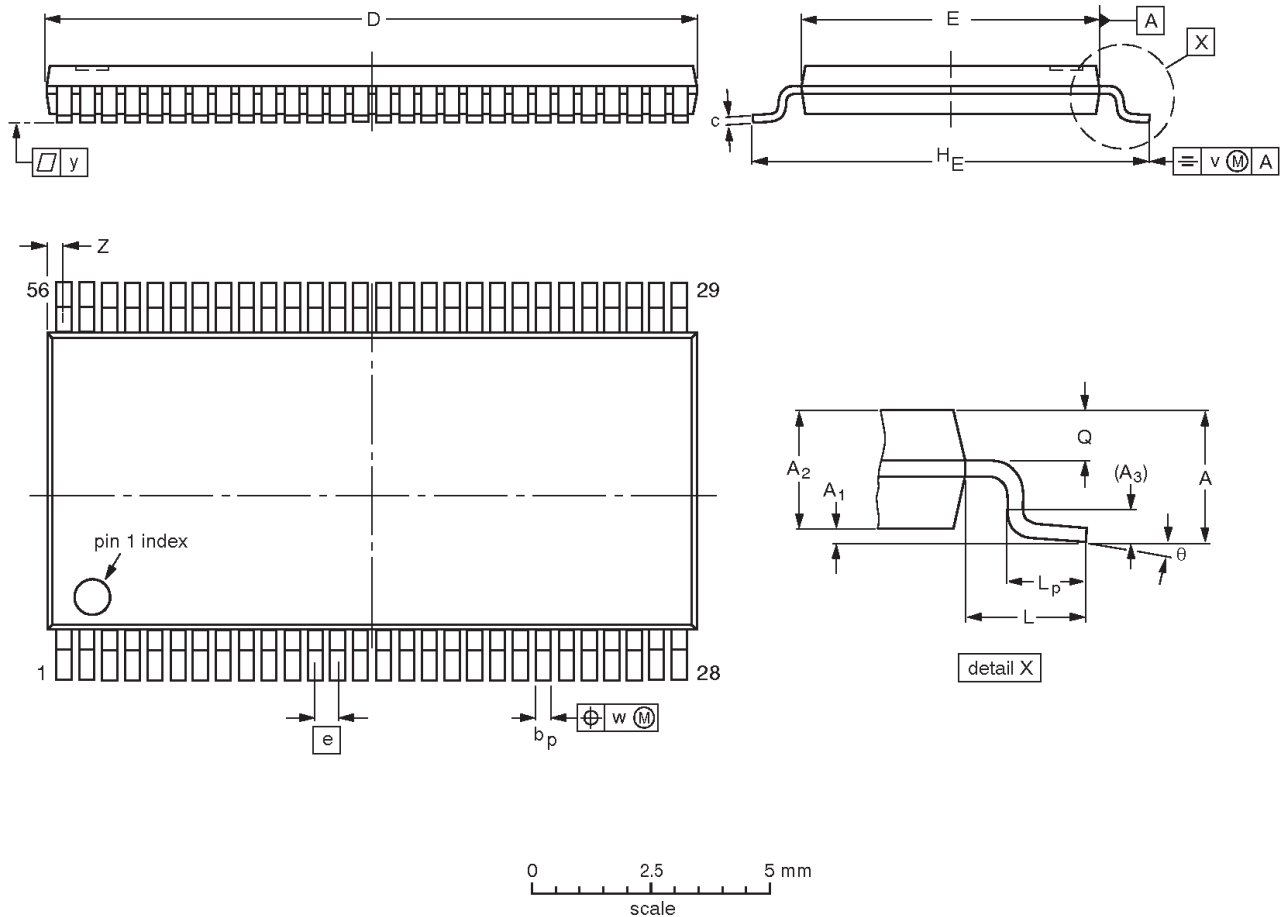
Figure 2.

32-bit GTL terminator with octal enables

GTL2020/GTL2021/
GTL2022/GTL2023

TSSOP56: plastic thin shrink small outline package; 56 leads; body width 6.1mm

SOT364-1



DIMENSIONS (mm are the original dimensions).

UNIT	A max.	A ₁	A ₂	A ₃	b _p	c	D ⁽¹⁾	E ⁽²⁾	e	H _E	L	L _p	Q	v	w	y	Z	θ
mm	1.2	0.15 0.05	1.05 0.85	0.25	0.28 0.17	0.2 0.1	14.1 13.9	6.2 6.0	0.5	8.3 7.9	1.0	0.8 0.4	0.50 0.35	0.25	0.08	0.1	0.5 0.1	8° 0°

Notes

1. Plastic or metal protrusions of 0.15 mm maximum per side are not included.
2. Plastic interlead protrusions of 0.25 mm maximum per side are not included.

OUTLINE VERSION	REFERENCES				EUROPEAN PROJECTION	ISSUE DATE
	IEC	JEDEC	EIAJ			
SOT364-1		MO-153EE				93-02-03 95-02-10

32-bit GTL terminator with octal enables

GTL2020/GTL2021/
GTL2022/GTL2023

Data sheet status

Data sheet status	Product status	Definition [1]
Objective specification	Development	This data sheet contains the design target or goal specifications for product development. Specification may change in any manner without notice.
Preliminary specification	Qualification	This data sheet contains preliminary data, and supplementary data will be published at a later date. Philips Semiconductors reserves the right to make changes at any time without notice in order to improve design and supply the best possible product.
Product specification	Production	This data sheet contains final specifications. Philips Semiconductors reserves the right to make changes at any time without notice in order to improve design and supply the best possible product.

[1] Please consult the most recently issued datasheet before initiating or completing a design.

Definitions

Short-form specification — The data in a short-form specification is extracted from a full data sheet with the same type number and title. For detailed information see the relevant data sheet or data handbook.

Limiting values definition — Limiting values given are in accordance with the Absolute Maximum Rating System (IEC 134). Stress above one or more of the limiting values may cause permanent damage to the device. These are stress ratings only and operation of the device at these or at any other conditions above those given in the Characteristics sections of the specification is not implied. Exposure to limiting values for extended periods may affect device reliability.

Application information — Applications that are described herein for any of these products are for illustrative purposes only. Philips Semiconductors make no representation or warranty that such applications will be suitable for the specified use without further testing or modification.

Disclaimers

Life support — These products are not designed for use in life support appliances, devices or systems where malfunction of these products can reasonably be expected to result in personal injury. Philips Semiconductors customers using or selling these products for use in such applications do so at their own risk and agree to fully indemnify Philips Semiconductors for any damages resulting from such application.

Right to make changes — Philips Semiconductors reserves the right to make changes, without notice, in the products, including circuits, standard cells, and/or software, described or contained herein in order to improve design and/or performance. Philips Semiconductors assumes no responsibility or liability for the use of any of these products, conveys no license or title under any patent, copyright, or mask work right to these products, and makes no representations or warranties that these products are free from patent, copyright, or mask work right infringement, unless otherwise specified.

Philips Semiconductors
811 East Arques Avenue
P.O. Box 3409
Sunnyvale, California 94088-3409
Telephone 800-234-7381

© Copyright Philips Electronics North America Corporation 2000
All rights reserved. Printed in U.S.A.

Date of release: 05-00

Document order number:

9397 750 07134

Let's make things better.