

High-performance HDMI 1.1 and 1.2 Compatible Signal Switch w/ Integrated Side-band Signal Support

Features

- 4-Differential Channel 2:1 Mux/DeMux + 4-Channel 2:1 Mux/DeMux
- DVI, HDMI 1.1, 1.2 and 1.3 signal compatible
- Data Rate: 4.0Gbps for high speed channels
- Supports both AC coupled and DC coupled signals
- Switching speed: 4ns
- Isolation: -40dB@1GHz for high-speed channels
- Integrated ESD protection
- High-speed data bits: 12kV HBM
8kV contact
- Side band signal bits: 2kV HBM
- Low bit-to-bit skew
- Enable/Disable time: 9ns
- Bidirectional
- Packaging (Pb-free & Green):
—80-pin BQSOP (B)

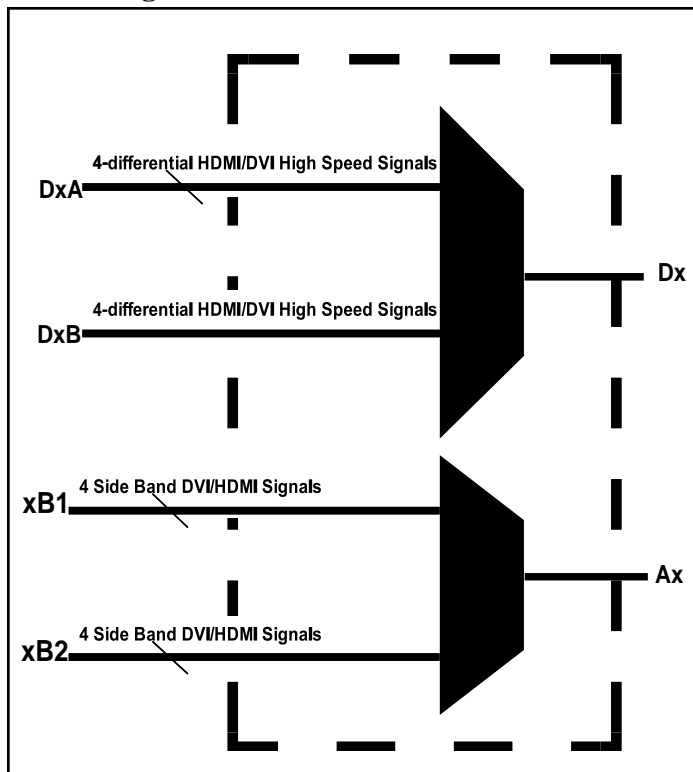
Description

Pericom Semiconductor's PI3HDMI series of switch circuits are targeted for high-resolution video networks that are based on DVI/HDMI standards, and TMDS signal processing. The PI3HDMI1212 is a 2-to-1 HDMI Mux/DeMux Switch. The device multiplexes differential signals to one of two corresponding HDMI inputs. The switch is bidirectional and offers little or no attenuation of the high-speed signals at the outputs. It is designed for low bit-to-bit skew and high channel-to-channel noise isolation.

The maximum DVI/HDMI data rate of 4.0Gbps provides the resolution required by the next generation HDTV and PC graphics. Three differential channels are used for data (video signals for DVI or audio/video signals for HDMI), and one differential channel is used for Clock for decoding the TMDS signals at the outputs.

Because of its passive bidirectional feature, this switch can be used either at the video drivers side or at the receiver side. For PC graphics applications, the device sits at the drivers side to switch between multiple display units such as PC LCD monitor, projector, TV, etc. For consumer video applications, the device sits at the receiver end to switch between the source components such as DVD, D-VHS, STB, etc.

Block Diagram



Pin Description

CP	1	80	V _{DD} 33
V _{DD} 33	2	79	D0+A
CP	3	78	D0-A
V _{DD} 33	4	77	D1+A
D0+	5	76	D1-A
D0-	6	75	D2+A
CP	7	74	D2-A
D1+	8	73	D3+A
D1-	9	72	D3-A
V _{DD} 33	10	71	CP
SEL	11	70	V _{DD} 33
CP	12	69	D0+B
D2+	13	68	D0-B
D2-	14	67	D1+B
CP	15	66	D1-B
D3+	16	65	D2+B
D3-	17	64	D2-B
V _{DD} 33	18	63	D3+B
CP	19	62	D3-B
V _{DD} 33	20	61	V _{DD} 33
V _{DD} 33	21	60	GND
GND	22	59	NC
NC	23	58	NC
CP	24	57	CP
NC	25	56	NC
V _{DD} 33	26	55	V _{DD} 33
GND	27	54	GND
NC	28	53	0B1
A0	29	52	0B2
V _{DD} 50	30	51	1B1
A1	31	50	1B2
GND	32	49	GND
A2	33	48	2B1
GND	34	47	2B2
A3	35	46	3B1
IN	36	45	3B2
NC	37	44	NC
NC	38	43	NC
V _{DD} 50	39	42	V _{DD} 50
EN	40	41	GND

Truth Table

SEL(pin11)	Function ⁽¹⁾
L	D _x → D _x A
H	D _x → D _x B

EN(pin40)	IN(pin36)	Function ⁽²⁾
L	L	A _n → _n B ₁
L	H	A _n → _n B ₂
H	X	A _n = _n B ₁ = _n B ₂ =H ₁ -Z

Note:

1) x=0,1,2,3

2) n=0,1,2,3

Pin Description

Pin Name	Description
V _{DD} 33	3.3V Power supply
CP	Tie this pin to GND via 0.1μF capacitor for optimal operation
V _{DD} 50	5.0V Power supply
D _x	High Speed TMDS signal I/O
D _x A, D _x B	High Speed TMDS signal I/O
SEL	High Speed Signal Control
IN	Side Band Signal Control
A _x , xB ₁ , xB ₂	Side Band Signal I/O
GND	GND pin
EN	Global Enable for Side Band Signals

Maximum Ratings

(Above which useful life may be impaired. For user guidelines, not tested.)

Storage Temperature.....	-65°C to +150°C
DC Input Voltage for side band signals.....	-0.5V to 5.5V
DC Output Current.....	20mA
Power Dissipation.....	0.5W
Supply Voltage V _{DD} 33.....	3.0V to 3.6V
Supply Voltage V _{DD} 50.....	4.2V to 5.5V

Note:

Stresses greater than those listed under MAXIMUM RATINGS may cause permanent damage to the device. This is a stress rating only and functional operation of the device at these or any other conditions above those indicated in the operational sections of this specification is not implied. Exposure to absolute maximum rating conditions for extended periods may affect reliability.

DC Power Supply Characteristics

Parameter	Description	Min.	Max.	Units
V _{DD} ³³	3.3V Power Supply	3.0	3.6	V
V _{DD} ⁵⁰	5.0 Power Supply	4.2	5.5	V

DC Electrical Characteristics for Switching over Operating Range

($T_A = -40^{\circ}\text{C}$ to $+85^{\circ}\text{C}$)

Parameter	Description	Test Conditions	Min.	Typ ⁽²⁾	Max.	Units
$V_{IHSEL}^{(3)}$	Input HIGH Voltage	Guaranteed HIGH level	2.8			V
$V_{ILSEL}^{(3)}$	Input LOW Voltage	Guaranteed LOW level			2.0	
$V_{IKHS}^{(4)}$	Clamp Diode Voltage	$V_{DD}=\text{Max.}, I_{IN}=-18\text{mA}$			0.9	

Notes:

1. For Max. or Min. conditions, use appropriate value specified under Electrical Characteristics for the applicable device type.
2. Typical values are at $T_A = 25^{\circ}\text{C}$ ambient and maximum loading.
3. $V_{IHSEL} + V_{ILSEL}$ are for SEL input only (pin 11)
4. For High-speed signals only

DC Electrical Characteristics for Switching over Operating Range

($T_A = -40^{\circ}\text{C}$ to $+85^{\circ}\text{C}$) for high speed signals only

Parameter	Description	Test Conditions	Min.	Typ ⁽²⁾	Max.	Units
$V_{IHIN}^{(3)}$	Input HIGH Voltage	Guaranteed HIGH level	2.1			V
$V_{ILIN}^{(3)}$	Input LOW Voltage	Guaranteed LOW level			0.8	
$V_{IKHS}^{(4)}$	Clamp Diode Voltage	$V_{DD}=\text{Max.}, I_{IN}=-18\text{mA}$			-0.9	
I_{IH}	Input HIGH Current	$V_{DD}=\text{Max.}, V_{IN}=V_{DD}$			± 5	μA
I_{IL}	Input LOW Current	$V_{DD}=\text{Max.}, V_{IN}=V_{SS}$			± 5	

Notes:

1. For Max. or Min. conditions, use appropriate value specified under Electrical Characteristics for the applicable device type.
2. Typical values are at $T_A = 25^{\circ}\text{C}$ ambient and maximum loading.
3. $V_{IHIN} + V_{ILIN}$ are for IN input only.
4. For Side-speed signals only

Power Supply Characteristics

Parameters	Description	Test Conditions ⁽¹⁾	Min.	Typ. ⁽²⁾	Max.	Units
I _{CC}	Quiescent Power Supply Current	V _{DD} = Max., V _{IN} = V _{DD} or V _{SS}		11		mA

Notes:

1. For Max. or Min. conditions, use appropriate value specified under Electrical Characteristics for the applicable device type.
2. Typical values are at T_A = 25°C ambient and maximum loading.

Dynamic Electrical Characteristics Over the Operating Range (T_A = -40° to +85°C)

Parameter	Description	Test Conditions	Min.	Typ. ⁽²⁾	Max.	Units
X _{TALK_{HS}} ⁽¹⁾	Crosstalk	See Fig. 1 for Measurement Setup, f = 1.65Gbps		-45		dB
X _{TALK_{SB}} ⁽²⁾		f = 250KHz		-80		
O _{IRR_{HS}} ⁽¹⁾	OFF Isolation	See Fig. 2 for Measurement Setup, f = 1.65Gbps		-40		
O _{IRR_{SB}} ⁽²⁾		250KHz		-56		
BW _{HS} ⁽¹⁾	-3dB Bandwidth			2.7		GHz
IL _{HS} ⁽¹⁾	Insertion Loss	@1.65 Gbps (8-bit deep color)		-0.87		dB
		@2.0625 Gbps (10-bit deep color)		-0.96		
		@2.475 Gbps (12-bit deep color)		-1.18		
		@3.3 Gbps (16-bit deep color)		-1.84		

Notes:

1. High-speed signal path only
2. Side-band signal path only
3. Typical values are @ T_A = 25°C ambient

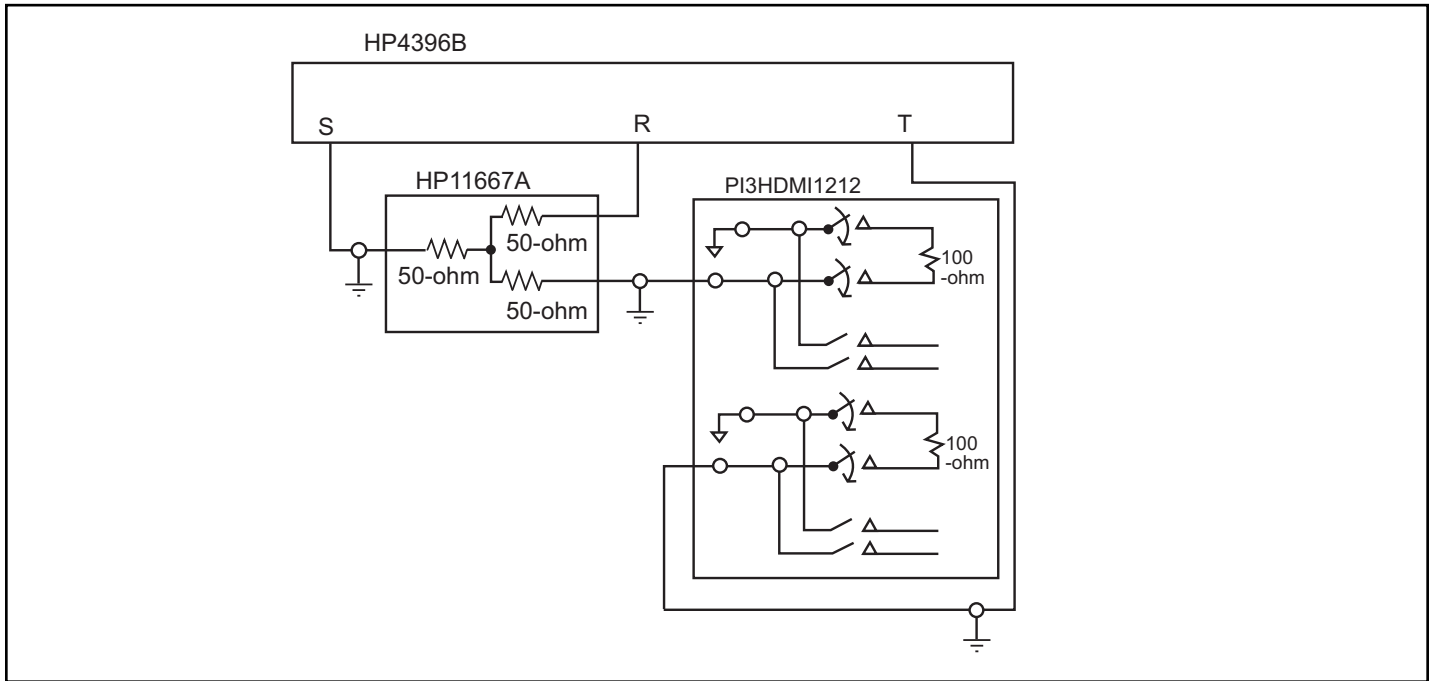


Fig 1. Crosstalk Setup

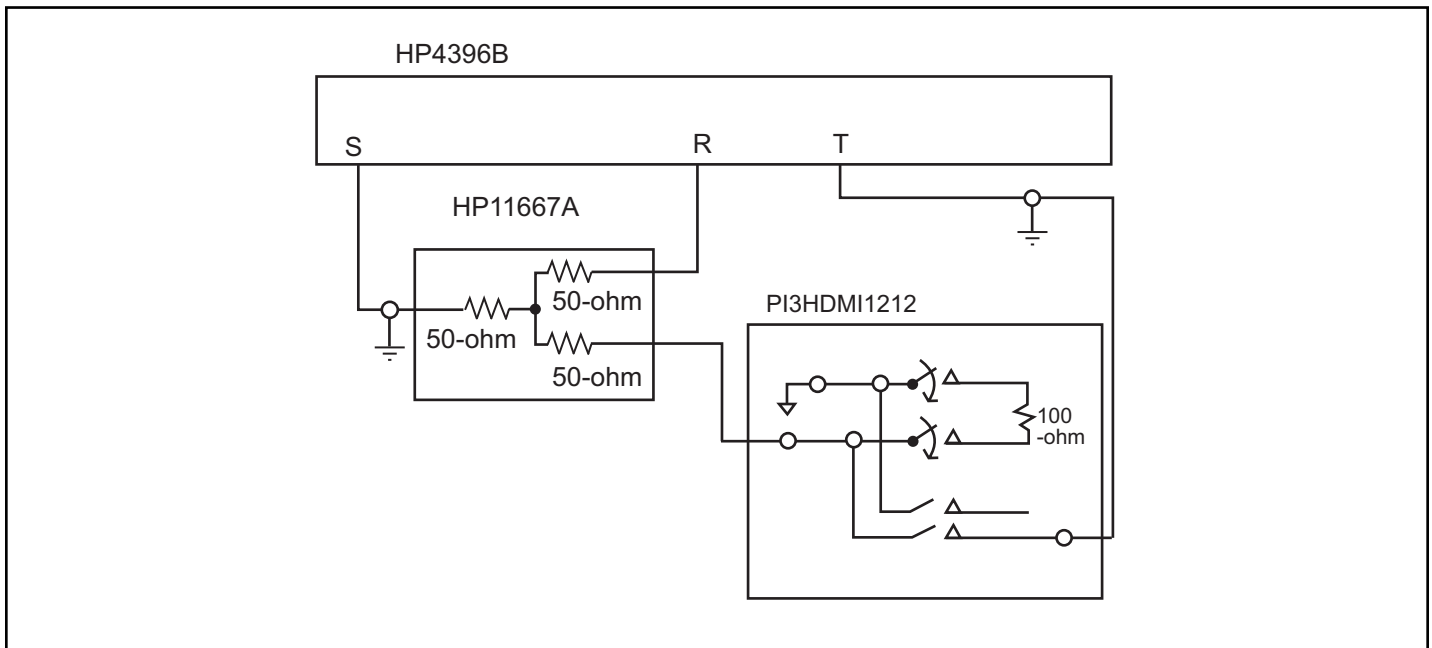


Fig 2. Off-isolation setup

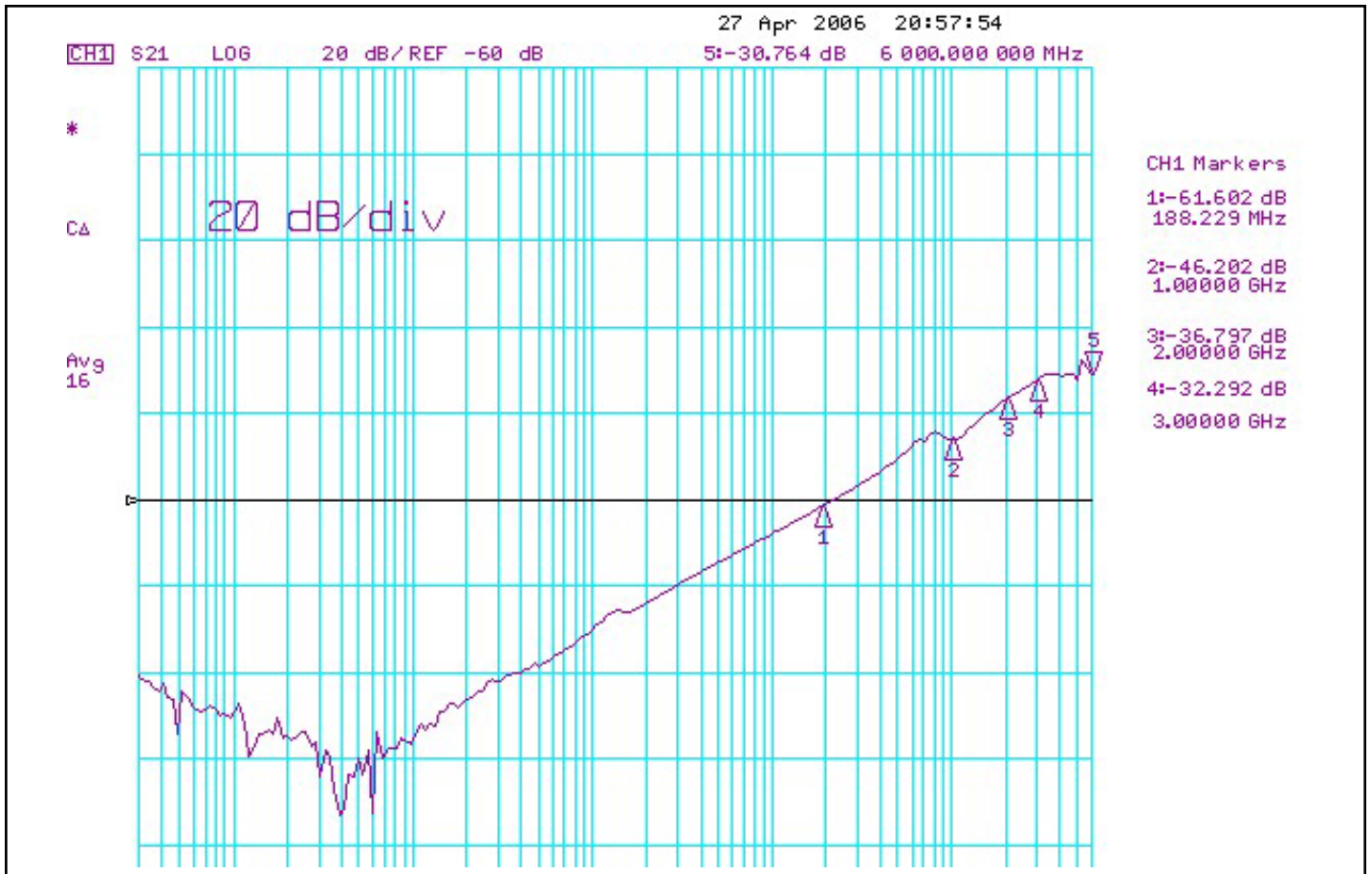


Fig 3. Crosstalk for High-speed signals only

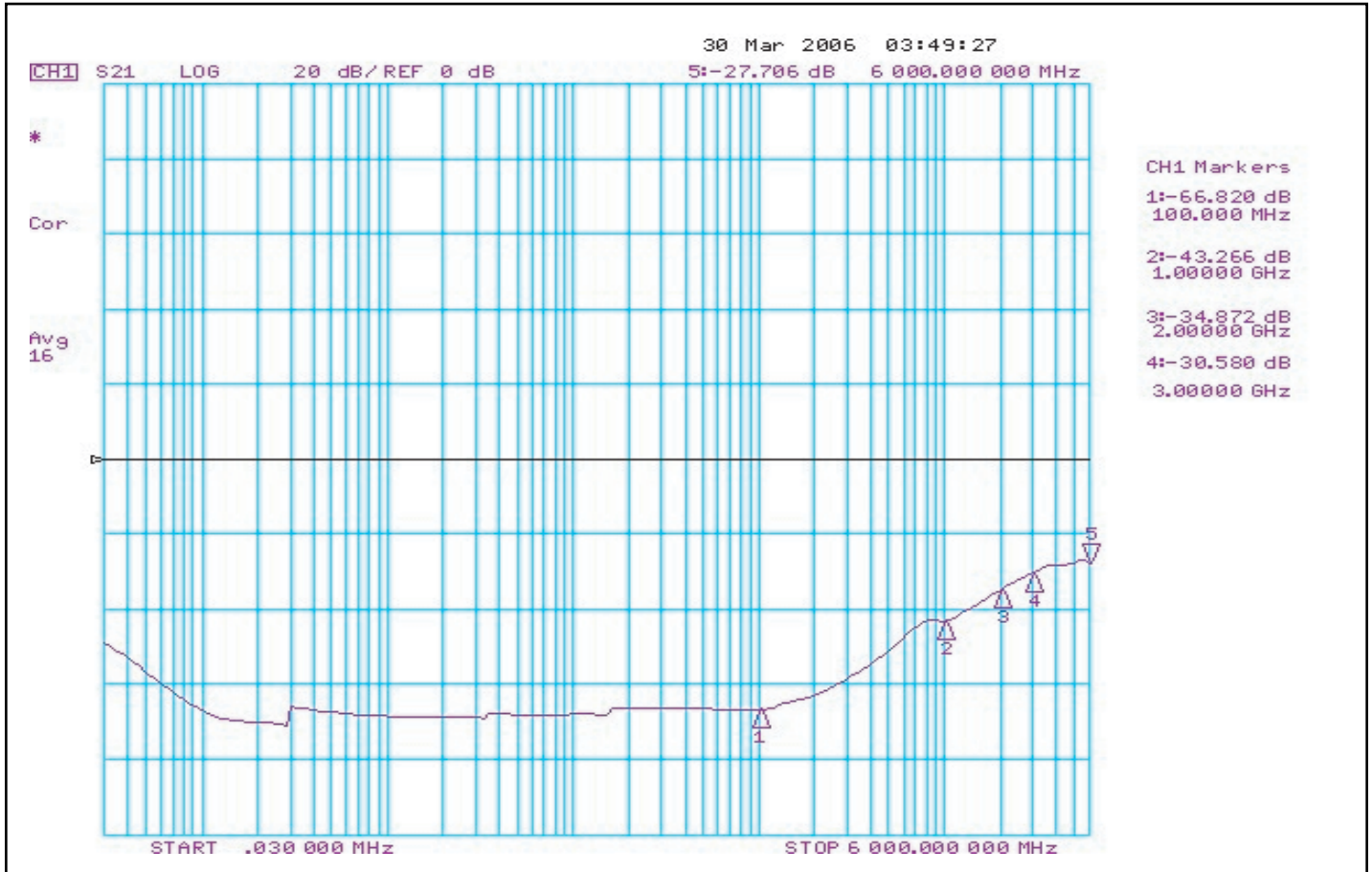


Fig 4. Off Isolation for high-speed signals only

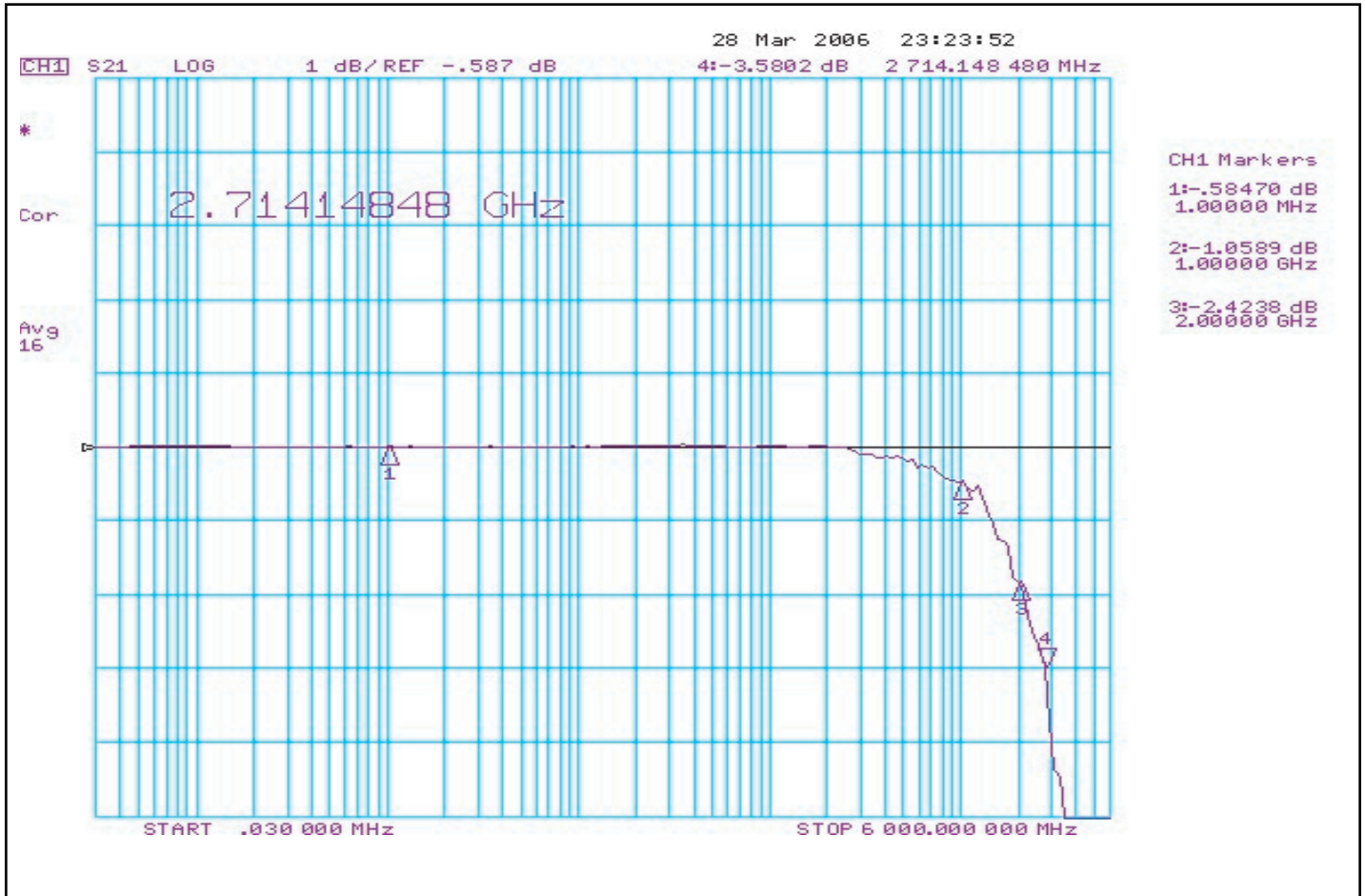


Fig 4. Insertion loss for high-speed signals only

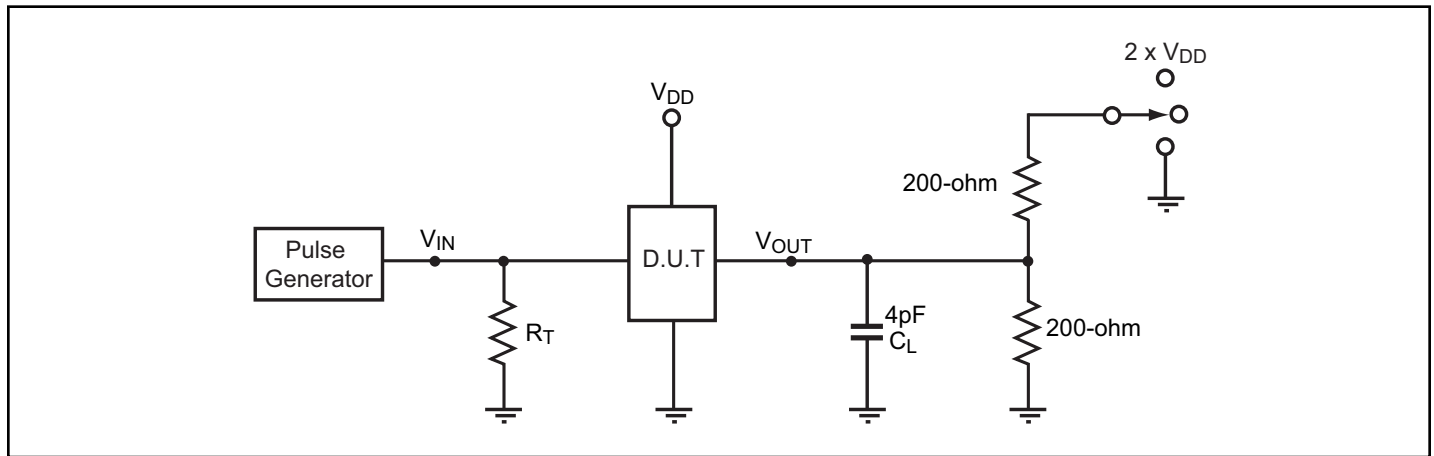
Switching Characteristics ($T_A = -40^\circ$ to $+85^\circ\text{C}$, $V_{DD33} = 3.3\text{V} \pm 10\%$, $V_{DD50} = 5.0\text{V} \pm 10\%$)

Parameter	Description	Min.	Typ. ⁽²⁾	Max.	Units
tPZH, tPZL	Line Enable Time - SEL to A _N , B _N	0.5		8.0	ns
tPHZ, tPLZ	Line Disable Time - SEL to A _N , B _N	0.5		4.0	

Notes:

1. For measurement setup, please see "Test Circuit For Electrical Characteristic" on page 6, and "Switching waveforms" on page 7

Test Circuit for Electrical Characteristics⁽¹⁾



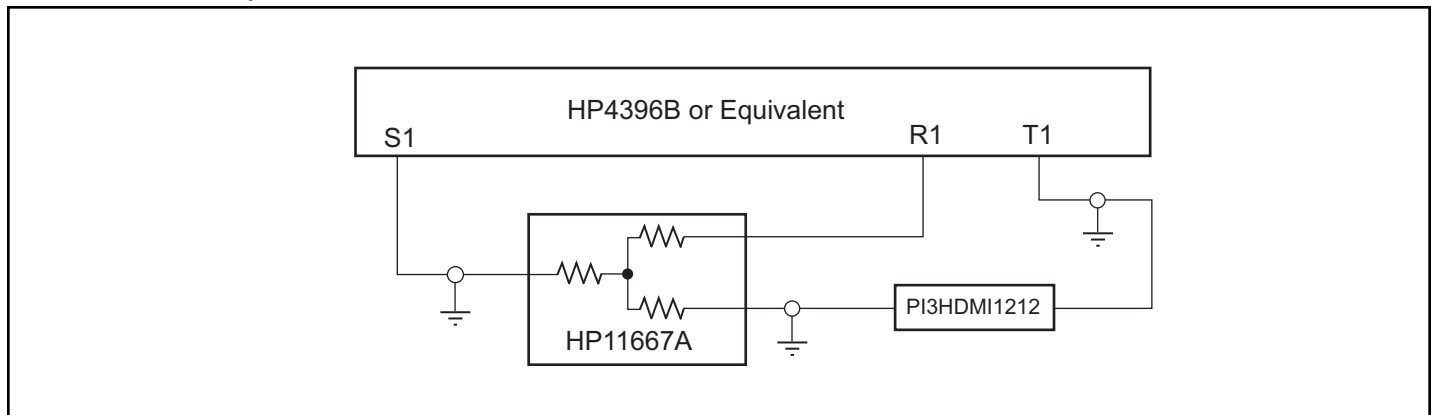
Notes:

1. C_L = Load capacitance: includes jig and probe capacitance.
2. R_T = Termination resistance: should be equal to Z_{OUT} of the Pulse Generator
3. Waveform 1 is for an output with internal conditions such that the output is low except when disabled by the output control.
 Waveform 2 is for an output with internal conditions such that the output is high except when disabled by the output control.
4. All input impulses are supplied by generators having the following characteristics: $PRR \leq \text{MHz}$, $Z_O = 50\Omega$, $t_R \leq 2.5\text{ns}$, $t_F \leq 2.5\text{ns}$.
5. The outputs are measured one at a time with one transition per measurement.

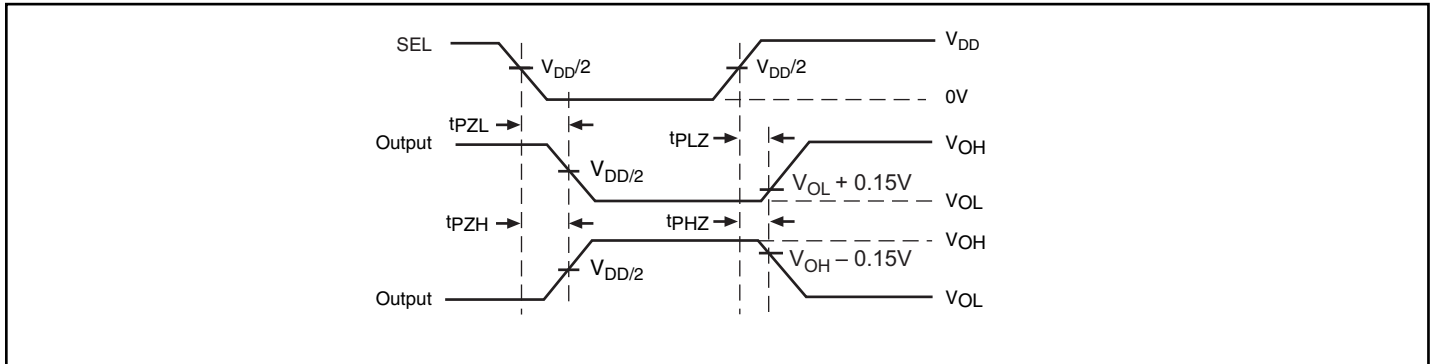
Switch Positions

Test	Switch
t_{PLZ} , t_{PZL} (output on B-side)	$2 \times (V_{DD33})$
t_{PHZ} , t_{PZH} (output on B-side)	GND
Prop Delay	Open

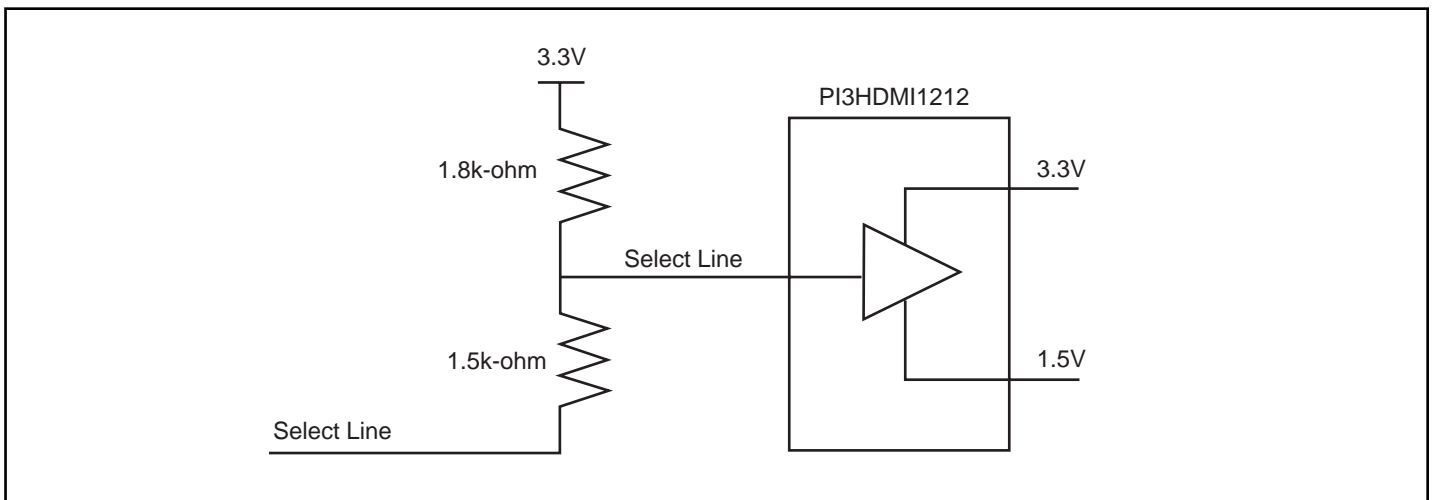
Test Circuit for Dynamic Electrical Characteristics



Switching Waveforms



Voltage Waveforms Enable and Disable Times



Example of a circuit that needs to be connected to the SEL pin (11) of the PI3HDMI1212 of our device:

Application Test Results

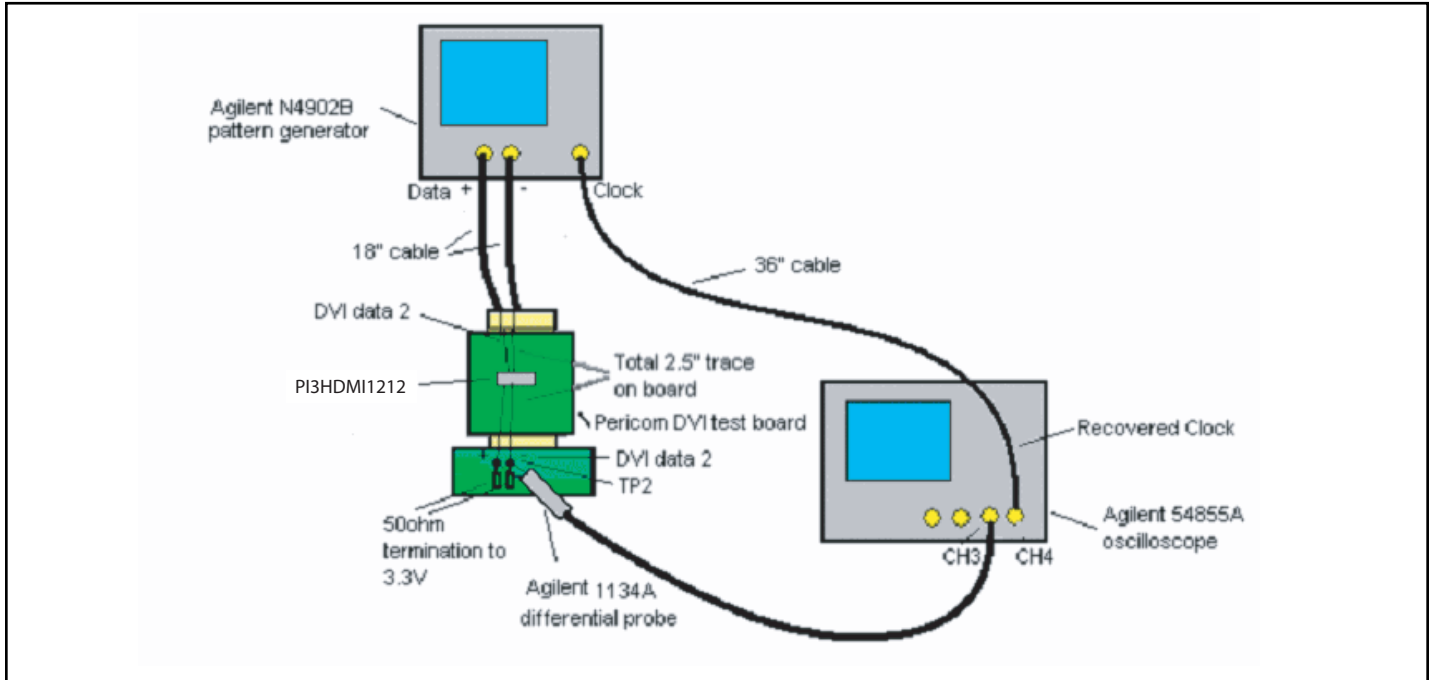


Figure 1. TMD5 TP2 Tx eye compliance test setup

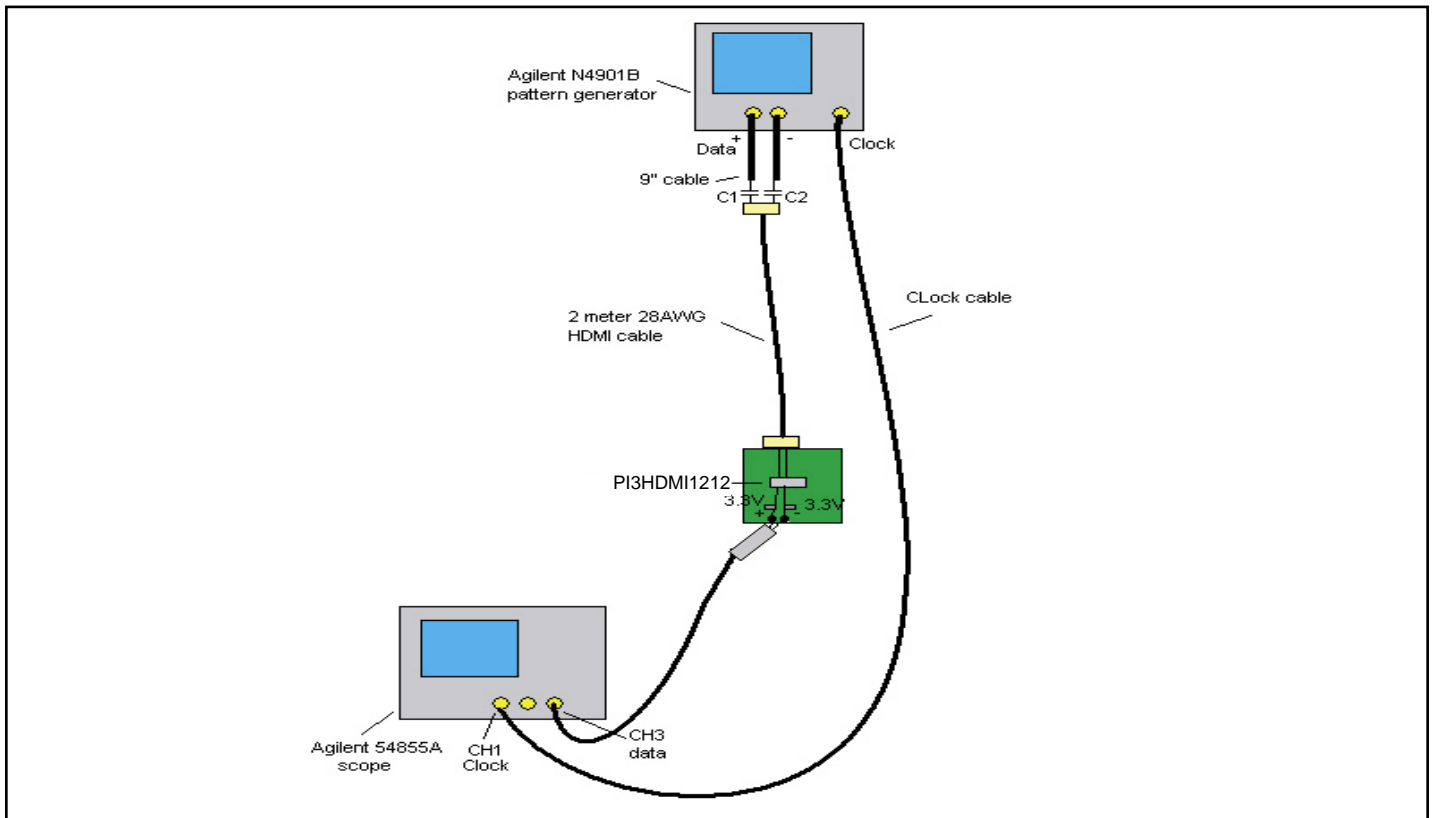


Figure 2. TMD5 TP3 Rx "switch at receiver" eye compliance test setup

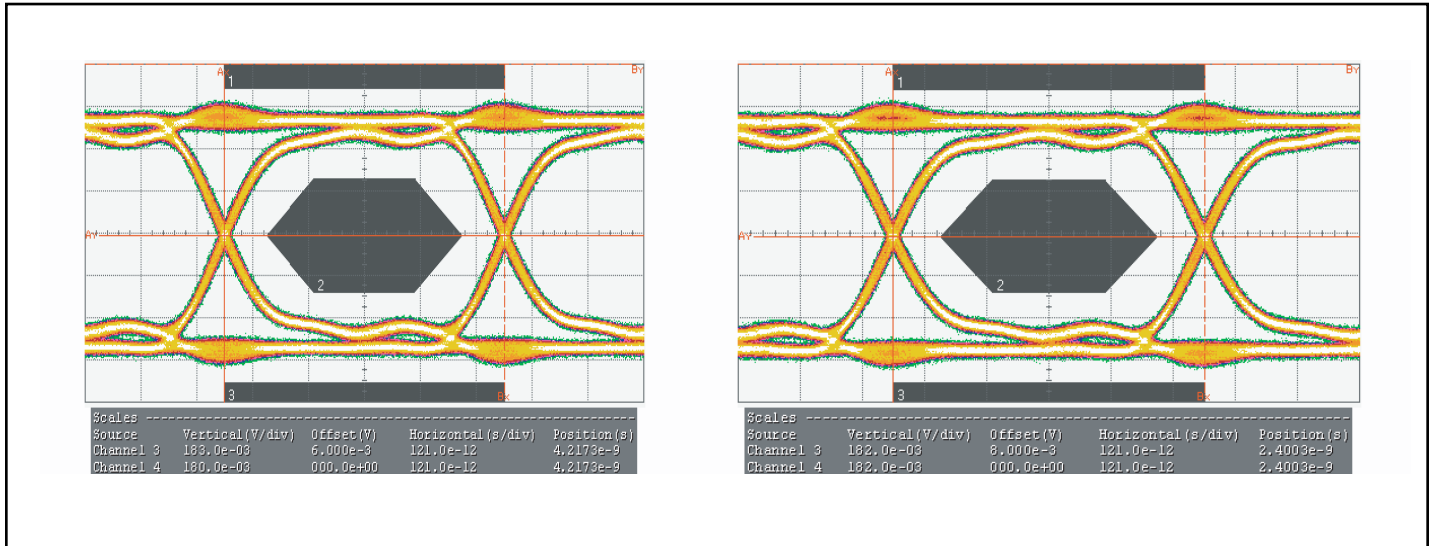


Figure 3. TP2 (Tx) eye-measurements (left is with switch, right is without switch), refer to figure 1 for the test set up

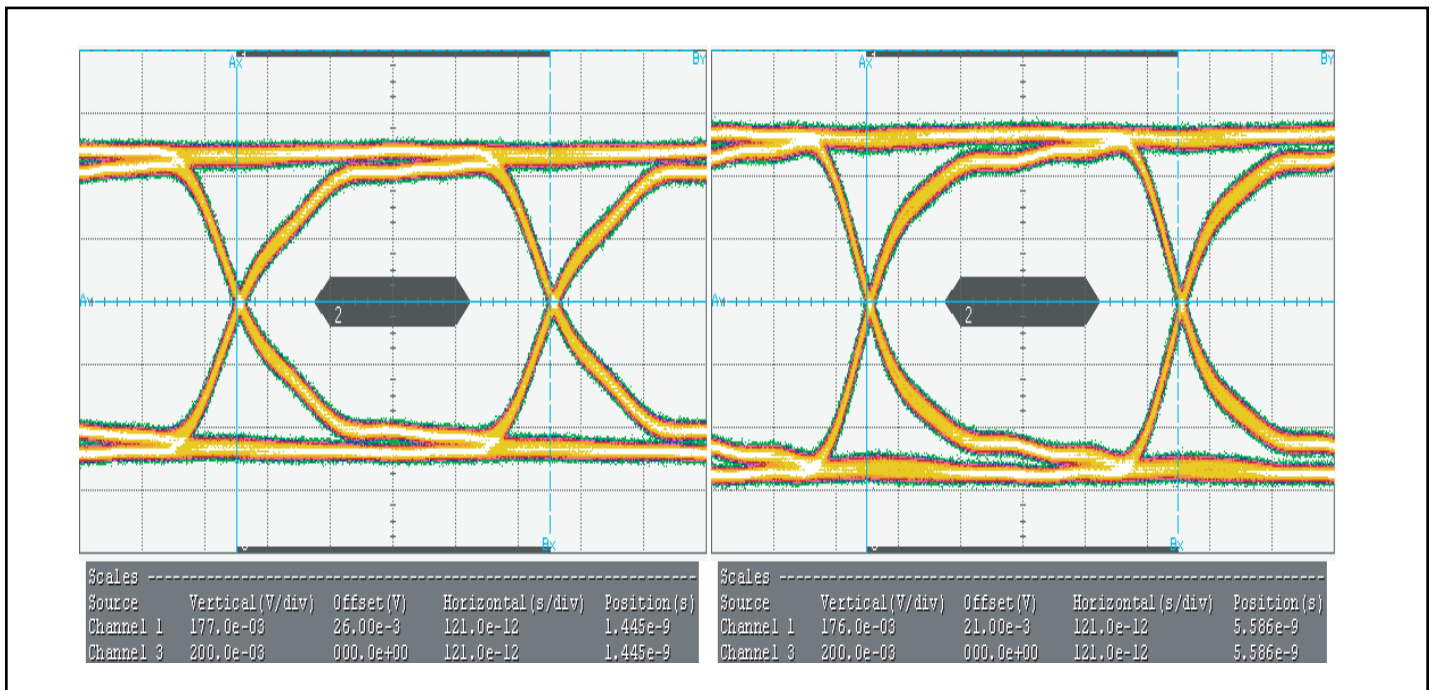
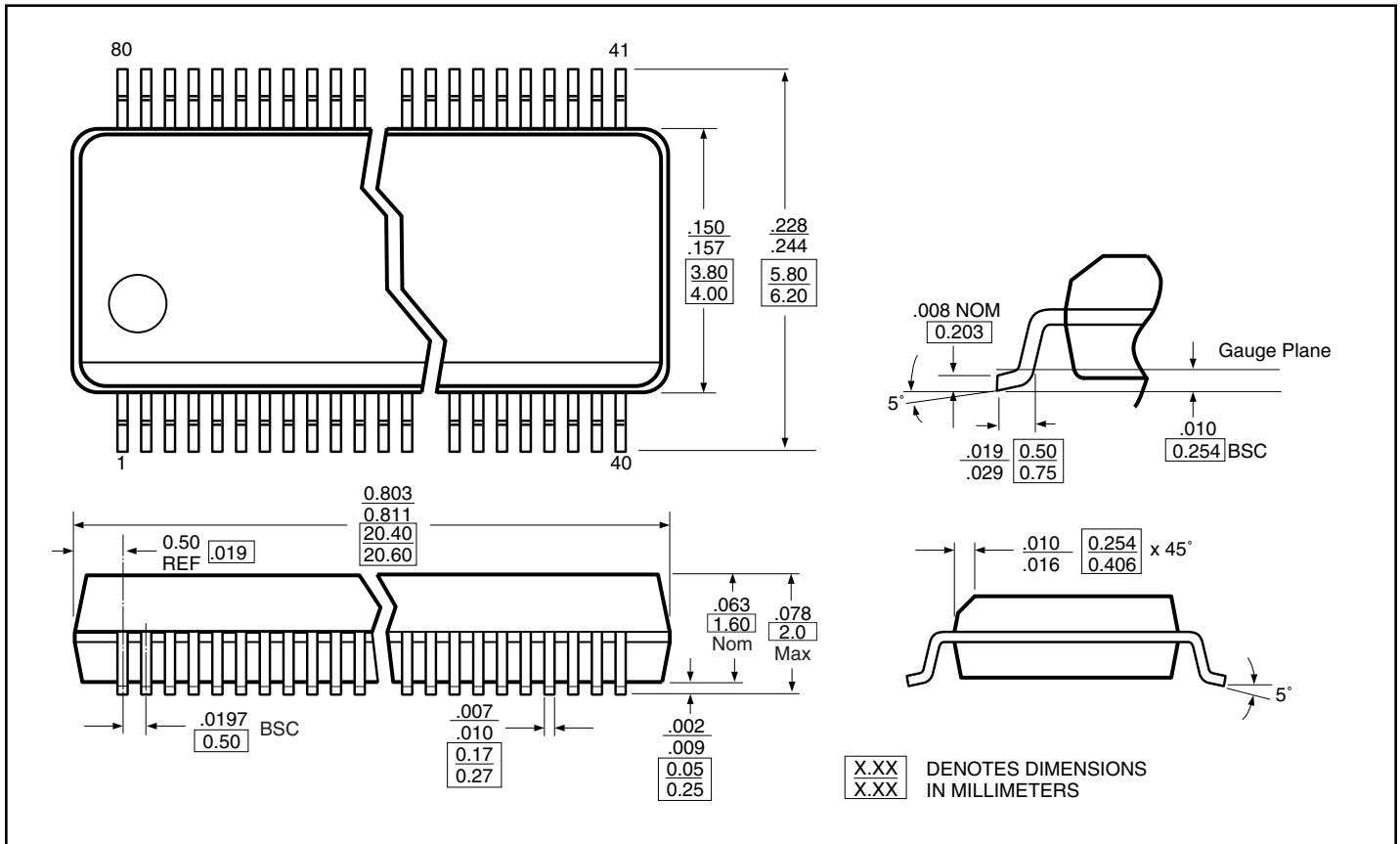


Figure 4. TP3 (Rx) - "Switch at receiver side" with 2-meter cable eye-measurements (left is with switch, right is without switch), refer to figure 2 for the test set up.

Packaging Mechanical: 80-pin BQSOP (B)



Ordering Information

Ordering Code	Package Code	Package Description
PI3HDMI1212BE	B	Pb-free & Green, 80-pin TSSOP

Notes:

1. Thermal characteristics can be found on the company web site at www.pericom.com/packaging/
2. E = Pb-free and Green
3. X Suffix = Tape/Reel