

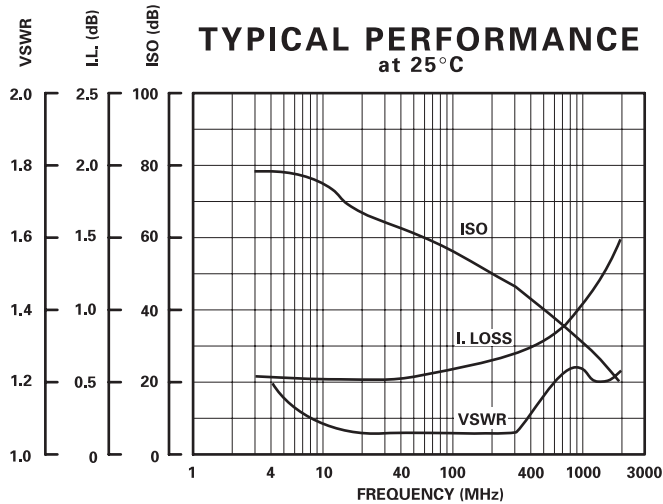
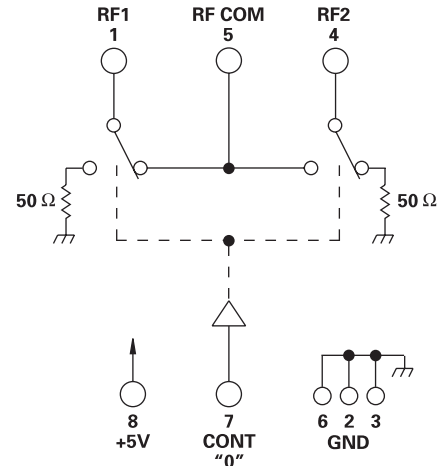
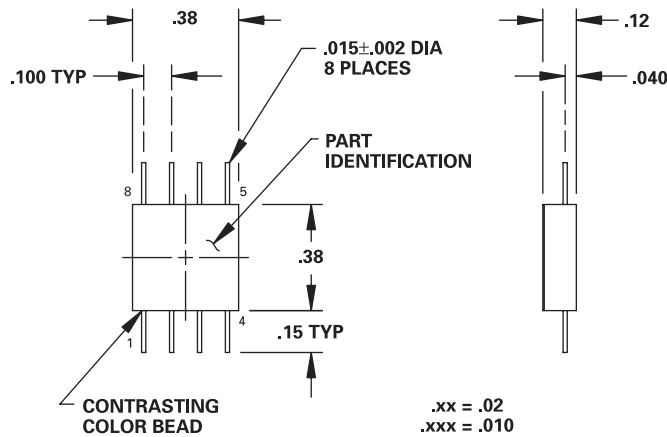
**MODEL NUMBER  
DS0860**

**GaAs SP2T**

**FEATURES**

- 10- 1000 MHz
- 40 nSec Switching Speed
- 48 mV Transients
- Non-Reflective
- TTL Driver
- Ultra Small 0.380 Sq. Flat Pack
- Low Cost

**SP2T**



**GUARANTEED PERFORMANCE**

Parameter	Min	Typ	Max	Units	Conditions
Operating Frequency	10		1000	MHz	
DC Current		0.2	1	mA	At +5 VDC Supply
Control Type		TTL			1 Line Logic "0" = RF COM to RF1 Logic "1" = RF COM to RF2
Control Current		0	±20	µA	V <sub>IH</sub> = +2.7V V <sub>IL</sub> = +0.5V
Insertion Loss		0.7	1.0	dB	10 - 150 MHz
		1.1	1.5	dB	150 - 1000 MHz
Isolation		50	55	dB	10 - 150 MHz
		40	47	dB	150 - 300 MHz
		25	32	dB	300 - 1000 MHz
VSWR		1.2/1	1.4/1		Thru Termination
Impedance		50		OHMS	
Switching Speed		40	70	nSEC	50% TTL to 90% / 10% RF
Transition (Rise/Fall) Time		15		nSEC	90% / 10% or 10% / 90% RF
Switching (Video) Transients		48		mV	Peak Value
Intercept Points	2nd	+88		dBm	70 MHz / 50 MHz
	3rd	+47		dBm	35 MHz / 50 MHz
RF Power	Operate	+16	+10	dBm	10 - 100 MHz
		+24	+20	dBm	100 - 1000 MHz 0.1 dB Comp
	No Damage		+27	dBm	
Operating Temperature	-55	+25	+125	°C	TA