

SP2T

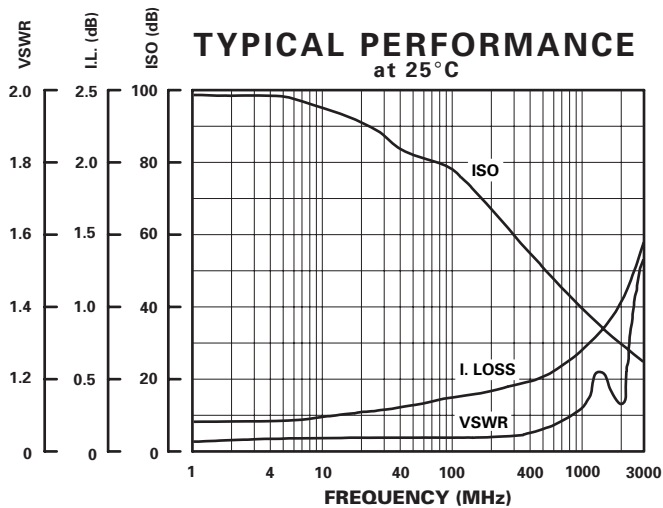
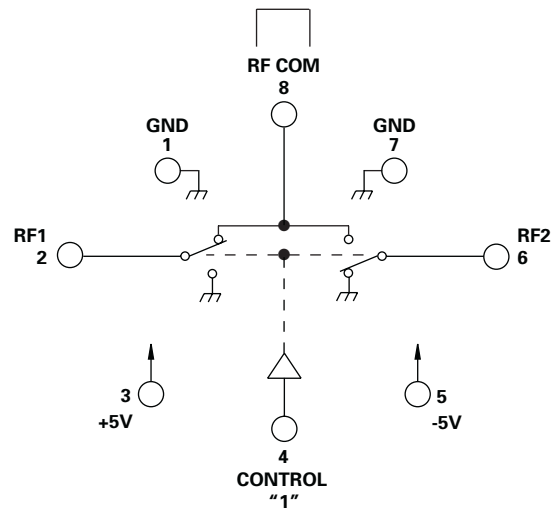
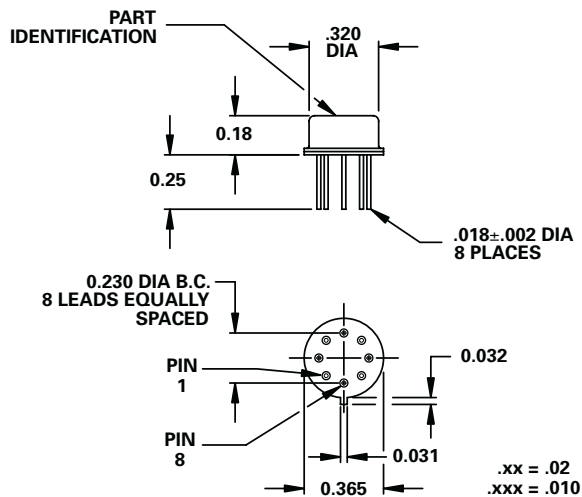
FEATURES

- DC - 2000 MHz
- 0.6 dB Insertion Loss at 1 GHz
- 35 nSec Transition Time
- Ultra Small TO-5 Package
- TTL Driver
- See DS0850 For Driverless Version, Same Package & Pin Outs
- Low Cost



MODEL NO. DS0813

GaAs SP2T



GUARANTEED PERFORMANCE

Parameter	Min	Typ	Max	Units	Conditions
Operating Frequency	DC		2000	MHz	
DC Current		2	4	mA	At +5 VDC Supply
		1	2	mA	At -5 VDC Supply
Control Type		TTL			1 Line Logic "0" = Isolation Logic "1" = Thru
Control Current	High	1	±40	µA	V _{IH} = +2.7V
	Low	1	±40	µA	V _{IL} = +0.5V
Insertion Loss		0.6	0.9	dB	DC - 1000 MHz
		0.8	1.2	dB	1000 - 2000 MHz
Isolation	45	51		dB	DC - 100 MHz
	35	39		dB	100 - 500 MHz
	25	29		dB	500 - 2000 MHz
VSWR		1.1/1	1.2/1		DC - 500 MHz
		1.2/1	1.5/1		500 - 2000 MHz
Impedance		50		OHMS	
Switching Speed		65	150	nSEC	50% TTL to 90% / 10% RF
Transition (Rise/Fall) Time		27		nSEC	90% / 10% or 10% / 90% RF
Switching (Video) Transients		8		mV	Peak Value
Intercept Points	2nd	+85		dBm	214 MHz / 127 MHz
	3rd	+47		dBm	107 MHz / 127 MHz
RF Power	Operate	+12	+10	dBm	0.1 dB Compression
	No Damage		+30	dBm	
Operating Temperature	-55	+25	+125	°C	TA