

Power Inductors Shielded-SMT Drum 8 x 4 mm

POWER INDUCTORS

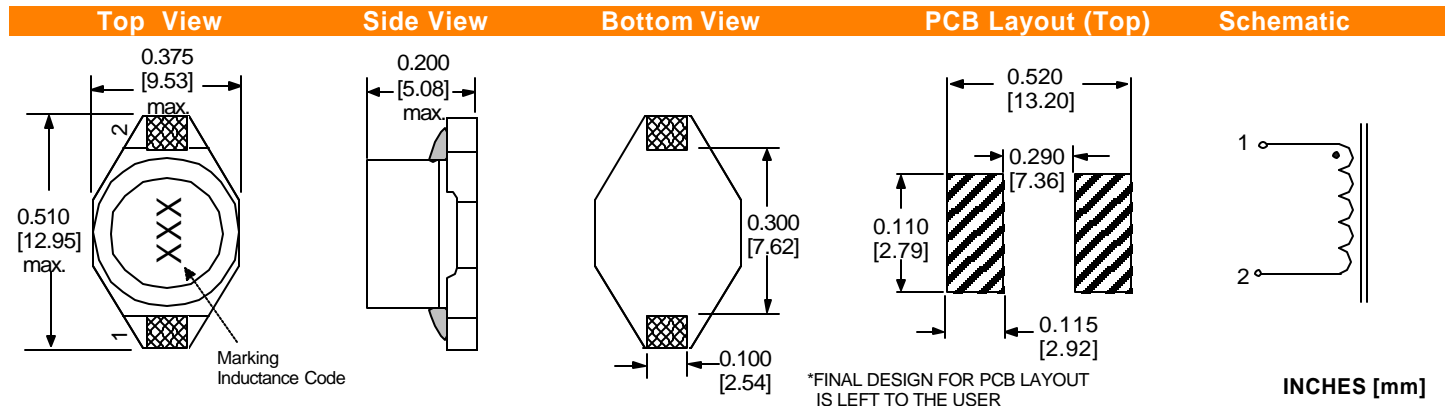
(SDSP0804 Series)



MAX. DIM :
L = 12.95 mm
W = 9.53 mm
H = 5.08 mm

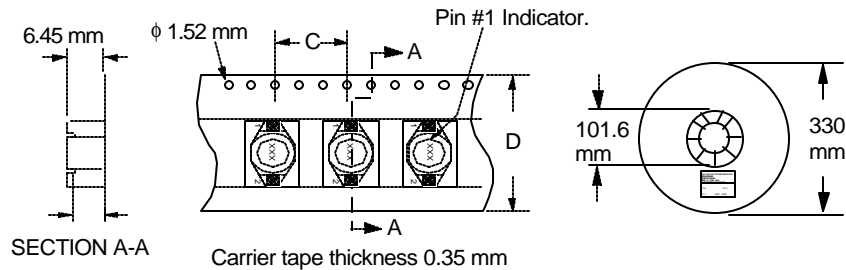
- Used in high frequency DC/DC converters.
- Magnetically shielded for low EMI radiation.
- Low resistance and high energy storage.
- Robust base for reflow soldering.
- Inductance range from 1.0 μH to 100 μH .
- Energy storage limit of 20 μJ .
- Tape & Reel : 600 pcs/Reel, 5 Reels/Box.

MECHANICAL SPECIFICATIONS



Packaging Information

Tape & Reel



ITEM	DESCRIPTION	QTY.
A	QTY. PER REEL	600
B	QTY. PER BOX	3000
C	PITCH	16 mm
D	TAPE WIDTH	24 mm

See tape and reel information 63-001

ELECTRICAL SPECIFICATIONS

FALCO PART NUMBER	RoHS PART NUMBER	OCL(μH) ¹ $\pm 20\%$	DCR (W max)	I rating ² (Amp)	I sat ³ (Amp)
DS0801		1.0	0.021	5.00	5.60
DS0802		1.5	0.022	4.50	5.20
DS0803		2.2	0.033	3.80	5.00
DS0804		3.3	0.040	3.30	3.90
DS0805		4.7	0.055	2.70	3.20
DS0806		6.8	0.075	2.20	2.80
DS0807		10	0.100	2.00	2.40
DS0808		15	0.150	1.50	2.00
DS0809		22	0.210	1.30	1.60
DS0810		33	0.335	1.10	1.40
DS0811		47	0.475	0.80	1.00
DS0812	DSL812	100	0.850	0.61	1.20

1. Inductance tested at 100 KHz , 100 mV.
2. Temperature rise is 15°C Typ.
3. Inductance drop 10% Typ. at Isat.
4. Operating Temp. range -40° to +85°C.
5. OCL and DCR tested at Ta= 25°C.



RoHS COMPLIANT PRODUCT