

EPI AC1 Series



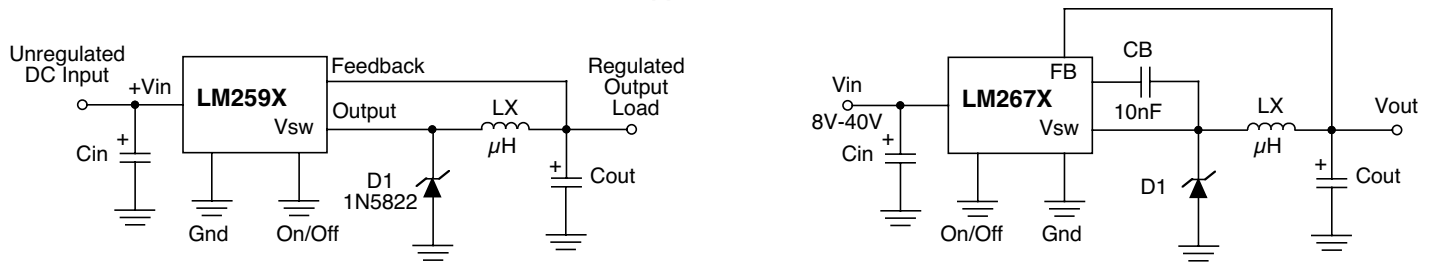
- Optimized for National's LM267X & LM259X Series
- Low loss material ensures operation in high frequency switching converters, such as Buck, Boost or as output averaging filter inductor
- Also suitable for use in high quality filter applications
- 150 KHz & 260 KHz Switching Frequency
- Low Cost Inductor

Primary Specification

Part Number	National Semiconductor Chip	Induct. ($\mu\text{H} \pm 15\%$) @ 0 Adc	DCR (Ω Typ.)	Induct. ($\mu\text{H} 10\%$) @ Idc	Idc (mA)	Core Loss		Vt1 (V- μSec) 150 KHz	Vt2 (V- μSec) 260 KHz	Temp.Rise	
						@ Vt1 (mW)	@ Vt2 (mW)			@ Vt1 $^{\circ}\text{C}$ (Typ.)	@ Vt2 $^{\circ}\text{C}$ (Typ.)
EPI100452AC1	LM267X-L45	13.5	0.022	10	4500	---	55	---	7.2	---	45
EPI150352AC1	LM267X-L34	20.0	0.035	15	3500	---	55	---	8.7	---	43
EPI150352AC1	LM259X-L34	20.0	0.035	15	3500	55	---	12.7	---	43	---

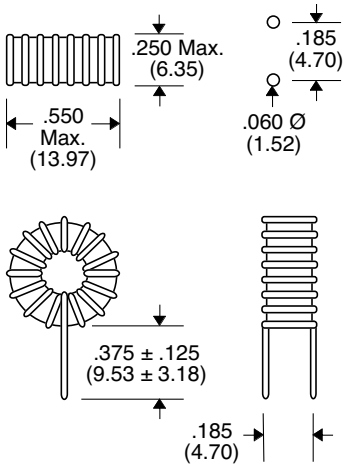
For no header version : add "V" for Vertical Mount and add "H" for Horizontal Mount

Applications



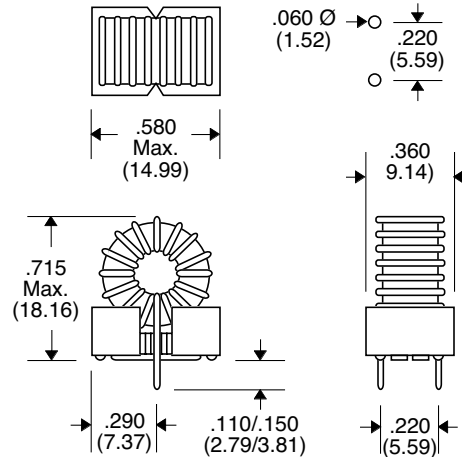
Package AC1V

Pad Layout



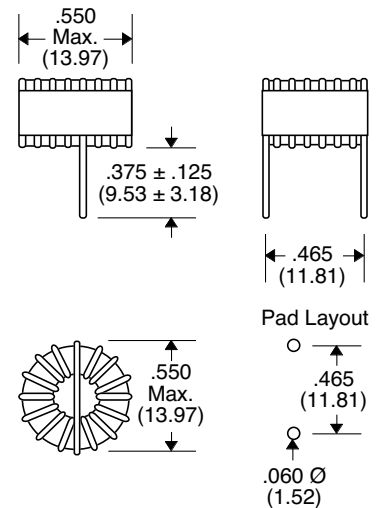
Package AC1

Pad Layout



Package AC1H

Pad Layout



Unless Otherwise Specified Dimensions are in Inches /mm $\pm .010 / .25$