

EPI BH68 & EPI BH68-LF Series

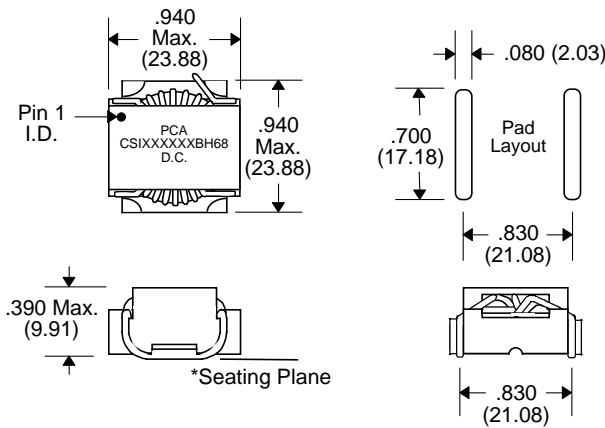


- Optimized for National's LM267X & LM259X Series
- Low loss material ensures operation in high frequency switching converters, such as Buck, Boost or as output averaging filter inductor
- Also suitable for use in high quality filter applications
- 150 KHz & 260 KH KHz Switching Frequency
- Add "-LF" after part number for Lead-Free
- Low Cost Inductor

Primary Specification

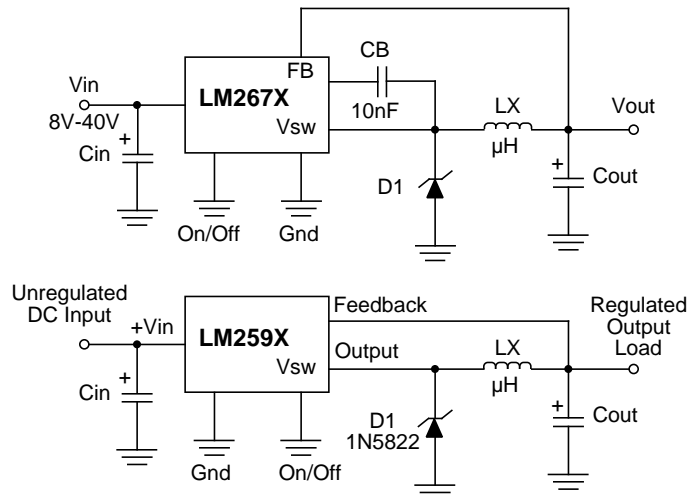
Part Number	National Semicon. Chip	Inductance ($\mu\text{H} \pm 20\%$) @ 0 Adc	DCR (Ω Typ.)	Idc (mA)	Inductance ($\mu\text{H} \pm 15\%$) @ Idc	Core Loss		Vt1 (V- μsec) 150 KHz	Vt2 (V- μsec) 260 KHz	Temp. Rise	
						@ Vt1 (mW)	@ Vt2 (mW)			@ Vt1 ($^{\circ}\text{C}$ (Typ.))	@ Vt2 ($^{\circ}\text{C}$ (Typ.))
EPI6L5972BH68	---	6.53	0.006	9700	5.16	137	---	12.0	---	32	---
EPI220502BH68	LM267X-L41	27	0.025	5000	22	---	290	---	23.1	---	35
	LM267X-L50	27	0.025	5000	22	---	290	---	23.1	---	35
EPI330402BH68	LM267X-L40	40	0.038	4000	33	---	260	---	27.0	---	34
EPI330352BH68	LM259X-L40	38	0.046	3500	33	210	---	33.4	---	31	---
EPI470352BH68	LM259X-L39	60	0.074	3500	47	185	---	40.0	---	42	---
	LM267X-L39	60	0.074	3500	47	---	185	---	28.5	---	42
EPI680302BH68	LM259X-L38	87	0.090	3000	68	155	---	46.7	---	37	---
	LM267X-L38	87	0.090	3000	68	---	155	---	30.8	---	37
EPI680352BH68	LM267X-L44	91	0.091	3500	68	45	---	26.7	---	43	---
	LM259X-L44	91	0.091	3500	68	---	60	---	12.7	---	44
EPI101252BH68	LM259X-L37	128	0.110	2500	100	155	---	55.4	---	33	---
EPI151202BH68	LM259X-L36	194	0.260	2000	150	113	---	56.7	---	43	---
EPI221152BH68	LM259X-L35	265	0.394	1500	220	134	---	73.4	---	39	---

Package BH68



*Coil must clear Seating Plane by .010/0.25
Coplanarity : .005/.013

Applications



Notes :	EPIXXXXXBH68	EPIXXXXXBH68-LF
1. Assembly Process (Assembly Solder) (Solder Composition)	SnPb	Sn
2. Peak Solder Rating (per IPC/JEDEC J-STD-020C)	225°C (+0/-5°C)	260°C (+0°C)
3. Moisture Sensitive Levels (MSL) (per IPC/JEDEC J-STD-020C)	1 (unlimited, $\leq 30^{\circ}\text{C}/85\% \text{RH}$)	1 (unlimited, $\leq 30^{\circ}\text{C}/85\% \text{RH}$)
4. Weight	19.4 grams	19.4 grams
5. Packaging Information (Tray)	48 pieces	48 pieces
(Tape & Reel)	pieces/13" reel (*EPIXXXXXBH68-TR)	pieces/13" reel (*EPIXXXXXBH68-LFTR)

Unless Otherwise Specified Dimensions are in Inches /mm $\pm .010 / .25$